



US00D382037S

United States Patent [19]

Scott et al.

[11] Patent Number: **Des. 382,037**

[45] Date of Patent: ****Aug. 5, 1997**

[54] SHOTGUN STOCK

[76] Inventors: **Barry R. Scott**, 41162 Montelimar Ct., Murietta, Calif. 92562; **Richard D. Wade**, 1014 W. Woodcrest Ave., Brea, Calif. 92621

[**] Term: **14 Years**

[21] Appl. No.: **55,659**

[22] Filed: **Jun. 10, 1996**

[51] LOC (6) Cl. **22-01**

[52] U.S. Cl. **D22/108; D22/100; D22/101; D22/103**

[58] Field of Search **D22/100, 101, D22/103, 108, 109, 199; 42/71.01, 72**

[56] References Cited

U.S. PATENT DOCUMENTS

D. 286,669	11/1986	Ballard et al.	D22/108
711,989	10/1902	Marble	42/71.01 X
1,110,209	9/1914	Kirchner	42/71.01
1,526,847	2/1925	Fritz	42/71.01
1,693,289	11/1928	Warren	42/71.01
2,139,691	12/1938	Michal, Jr.	42/72 X

OTHER PUBLICATIONS

Petersen's Hunting, Oct. 1990, p. 77, "Stock With Shells", center of page.

Primary Examiner—Louis S. Zarfaz
Assistant Examiner—Monica A. Weingart
Attorney, Agent, or Firm—Edgar W. Averill, Jr.

[57] CLAIM

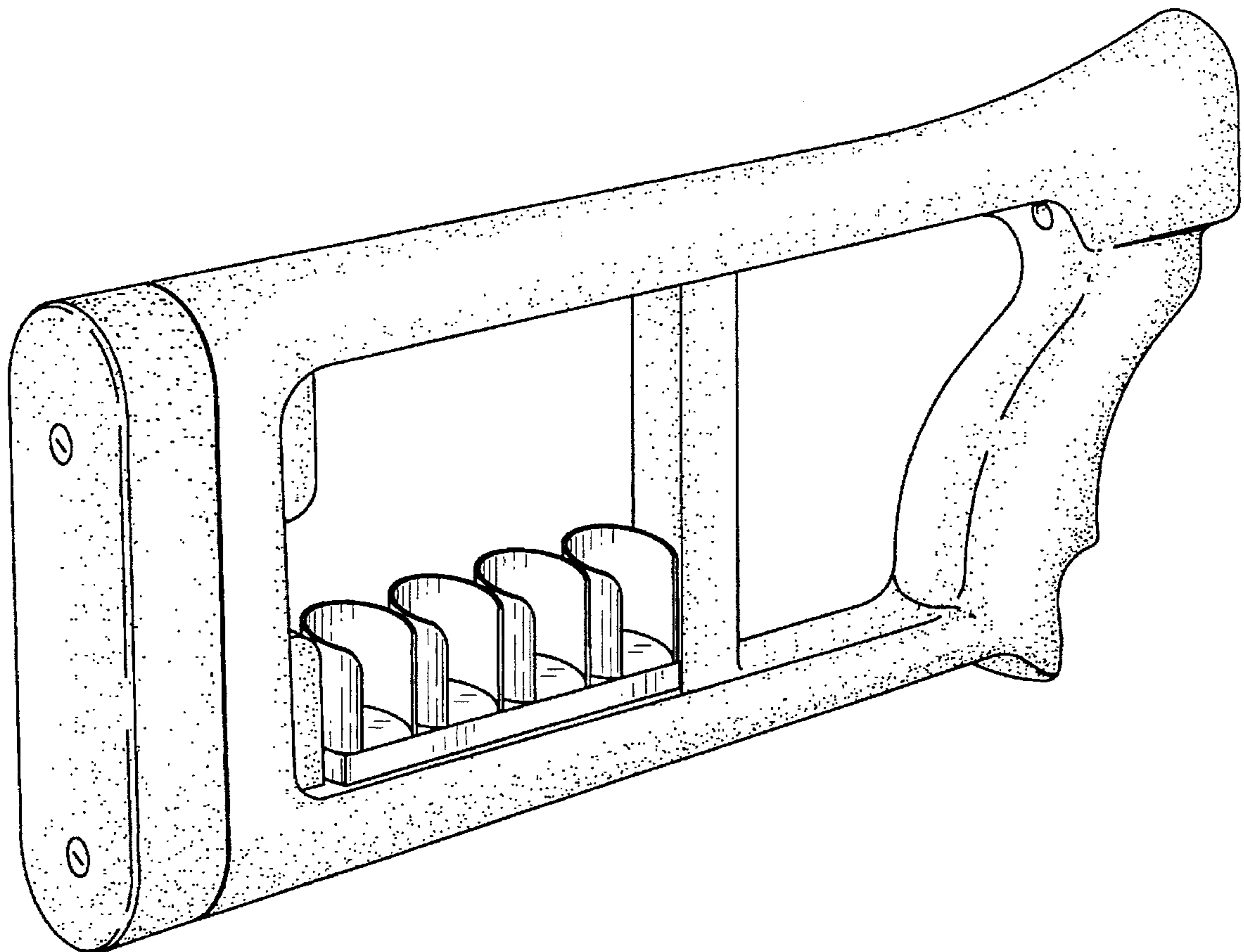
The ornamental design for a shotgun stock, as shown and described.

DESCRIPTION

FIG. 1 is a perspective view showing the right side, top and rear of the shotgun stock showing our new design; FIG. 2 is a right side view thereof; FIG. 3 is a top view thereof; FIG. 4 is a front view thereof; FIG. 5 is a left side view thereof; FIG. 6 is a rear view thereof; and, FIG. 7 is a bottom view thereof.

The broken line showing of the body of a gun in FIG. 2 is for illustrative purposes only and forms no part of the claimed design.

1 Claim, 2 Drawing Sheets



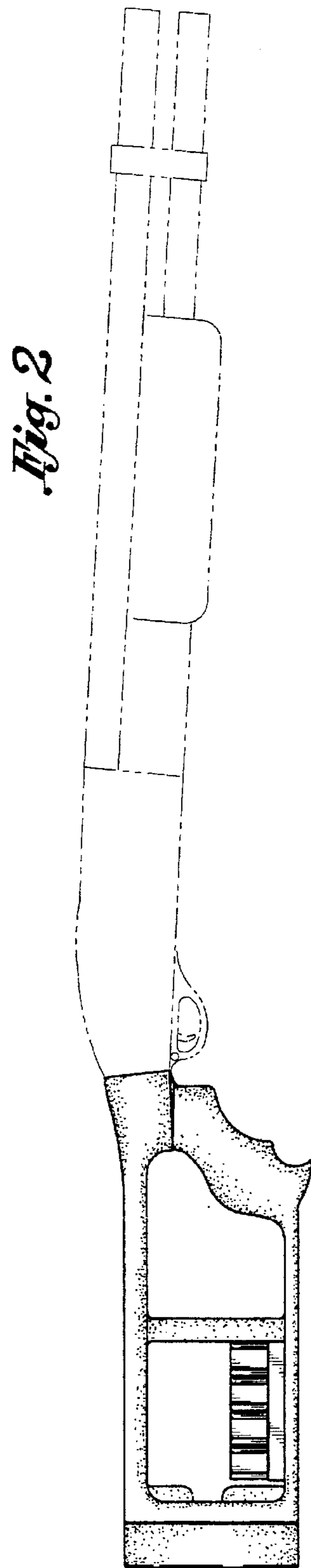
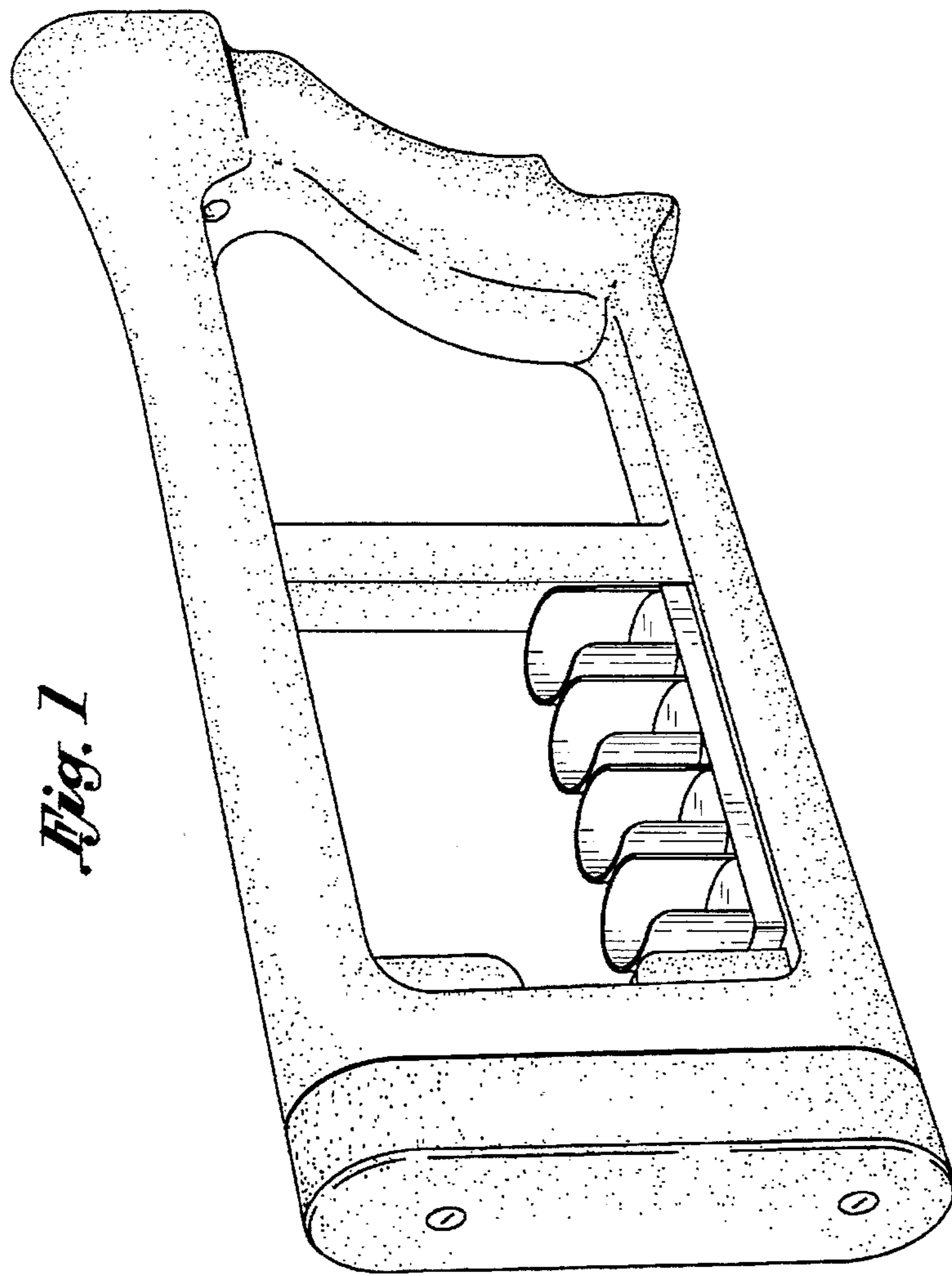


Fig. 3

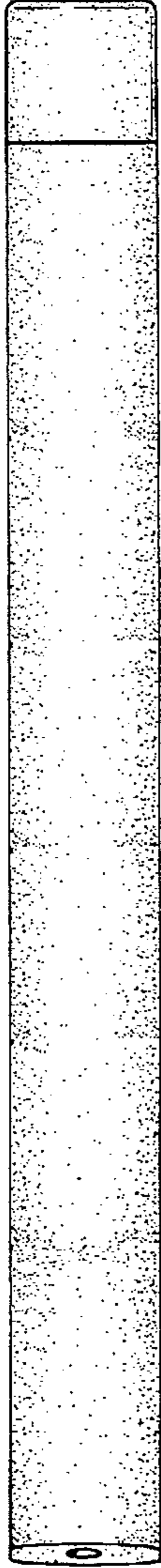


Fig. 4

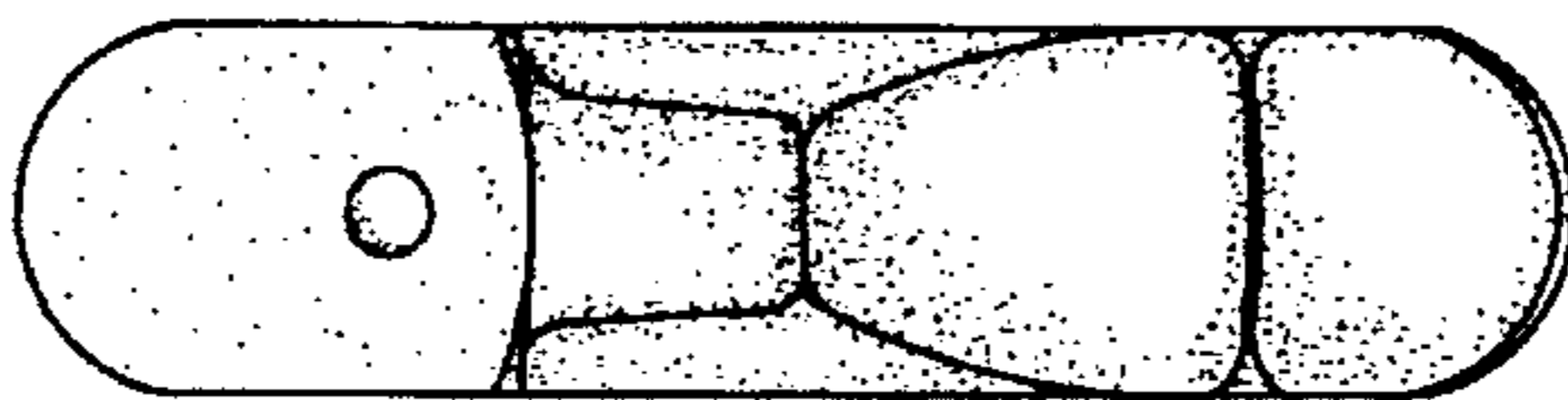


Fig. 5

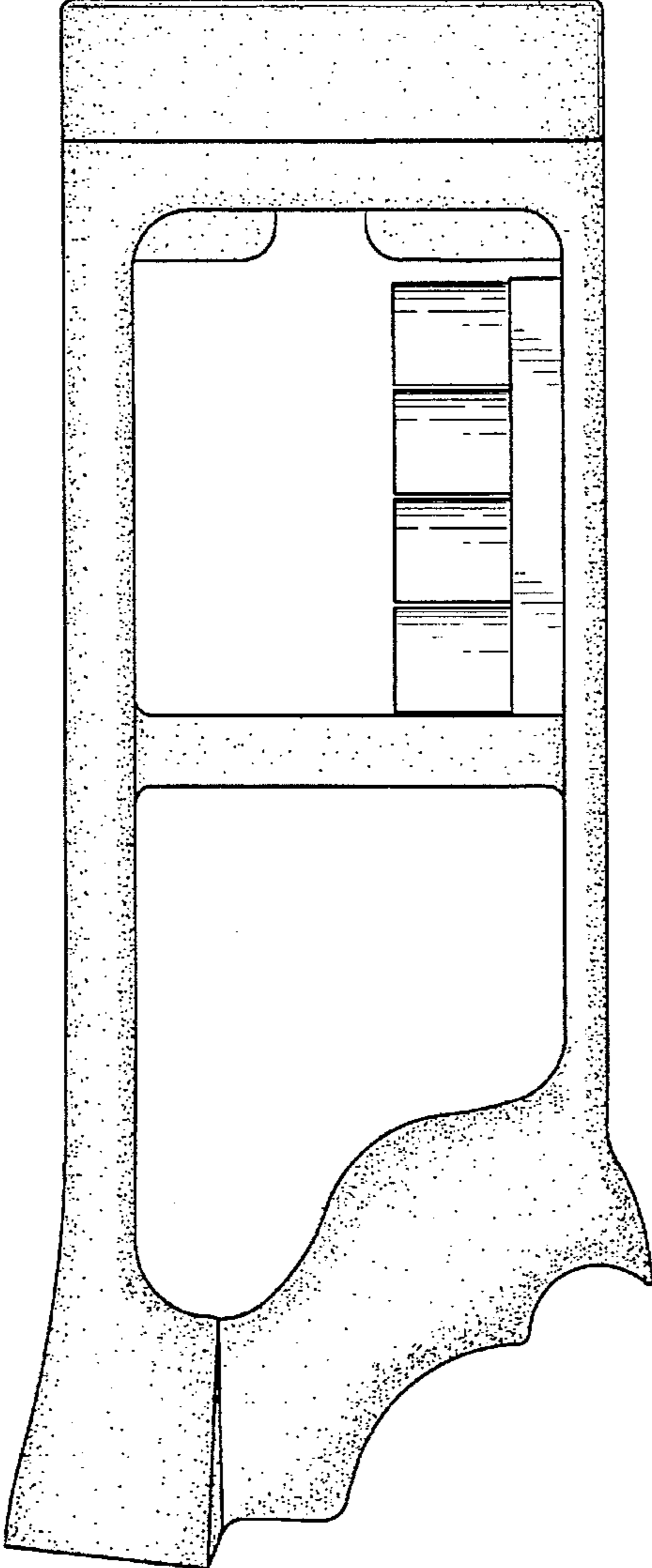


Fig. 6



Fig. 7

