



US00D382034S

United States Patent [19]

Dullinger

[11] Patent Number: **Des. 382,034**

[45] Date of Patent: ****Aug. 5, 1997**

[54] **ARCHER'S BOW STAND**

[76] Inventor: **Arthur John Dullinger**, 1325 N. 1st St., Hamilton, Mont. 59840

[**] Term: **14 Years**

[21] Appl. No.: **51,618**

[22] Filed: **Mar. 14, 1996**

[51] LOC (6) Cl. **22-01**

[52] U.S. Cl. **D22/107; D22/100; D22/199**

[58] Field of Search D22/100, 101, D22/108, 109, 199; D6/552; 42/94; 124/23.1, 86; 248/125.3, 156, 286.1; 211/64

[56] **References Cited**

U.S. PATENT DOCUMENTS

D. 245,214	8/1977	Allen	D6/552
D. 281,344	11/1985	Duke	D22/13
D. 355,694	2/1995	Stafford, Jr.	D22/107
3,219,299	11/1965	Snider et al.	248/156
3,441,241	4/1969	Brooks	248/156
3,584,820	6/1971	Butcher, Sr.	248/122
3,991,780	11/1976	Maroski, Jr.	135/66
4,103,807	8/1978	Lyon et al.	224/1 R
4,161,302	7/1979	Stuhlman	248/156 X
4,331,311	5/1982	Russell	248/176
4,360,179	11/1982	Roberts	248/126
4,474,296	10/1984	Hartman	211/13
4,846,140	7/1989	DiMartino	248/360

4,896,854	1/1990	St. Laurent	248/156
4,923,165	5/1990	Cockman	248/156 X
5,039,053	8/1991	Carafice	248/156 X
5,106,044	4/1992	Regard, III et al.	248/169
5,111,800	5/1992	Reynolds	124/88
5,123,623	6/1992	McNamara	248/156 X
5,183,231	2/1993	Pellerin	248/156
5,230,187	7/1993	Reimann	248/156 X
5,240,211	8/1993	Anderson	248/125
5,369,902	12/1994	Minister	248/156 X
5,377,657	1/1995	Foster et al.	124/86

Primary Examiner—Louis S. Zarfaz
Assistant Examiner—Monica A. Weingart
Attorney, Agent, or Firm—Curtis V. Harr

[57] **CLAIM**

The ornamental design for an archer's bow stand, as shown.

DESCRIPTION

FIG. 1 is a side perspective view of an archer's bow stand; FIG. 2 is a side perspective view of an archer's bow stand; FIG. 3 is a side elevation view of an archer's bow stand; FIG. 4 is a front elevation view of an archer's bow stand; FIG. 5 is a side elevation view of a second embodiment of an archer's bow stand; FIG. 6 is a perspective view of a second embodiment of an archer's bow stand; and, FIG. 7 is a front elevation view of a second embodiment of an archer's bow stand.

1 Claim, 5 Drawing Sheets

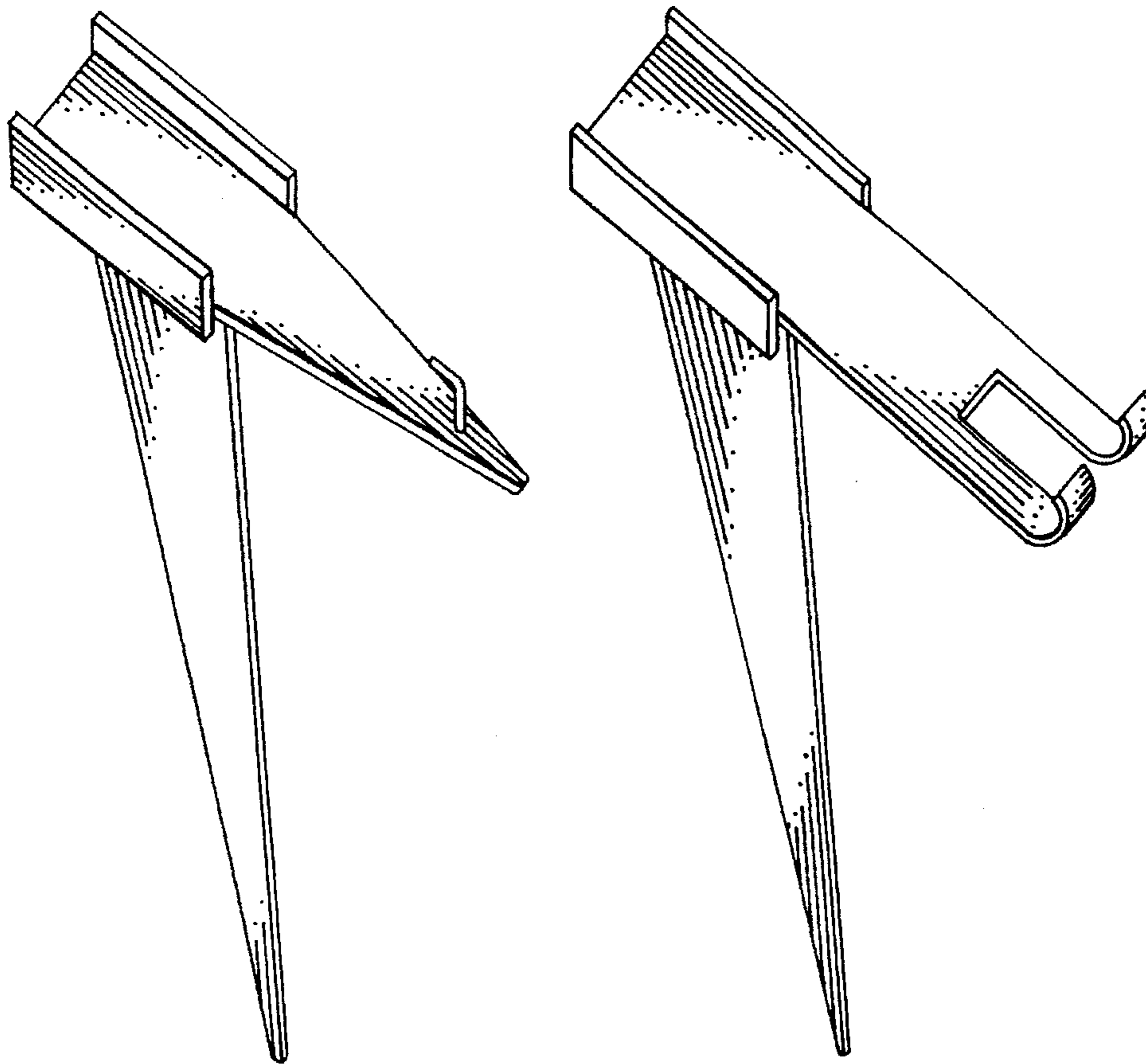


FIG 1

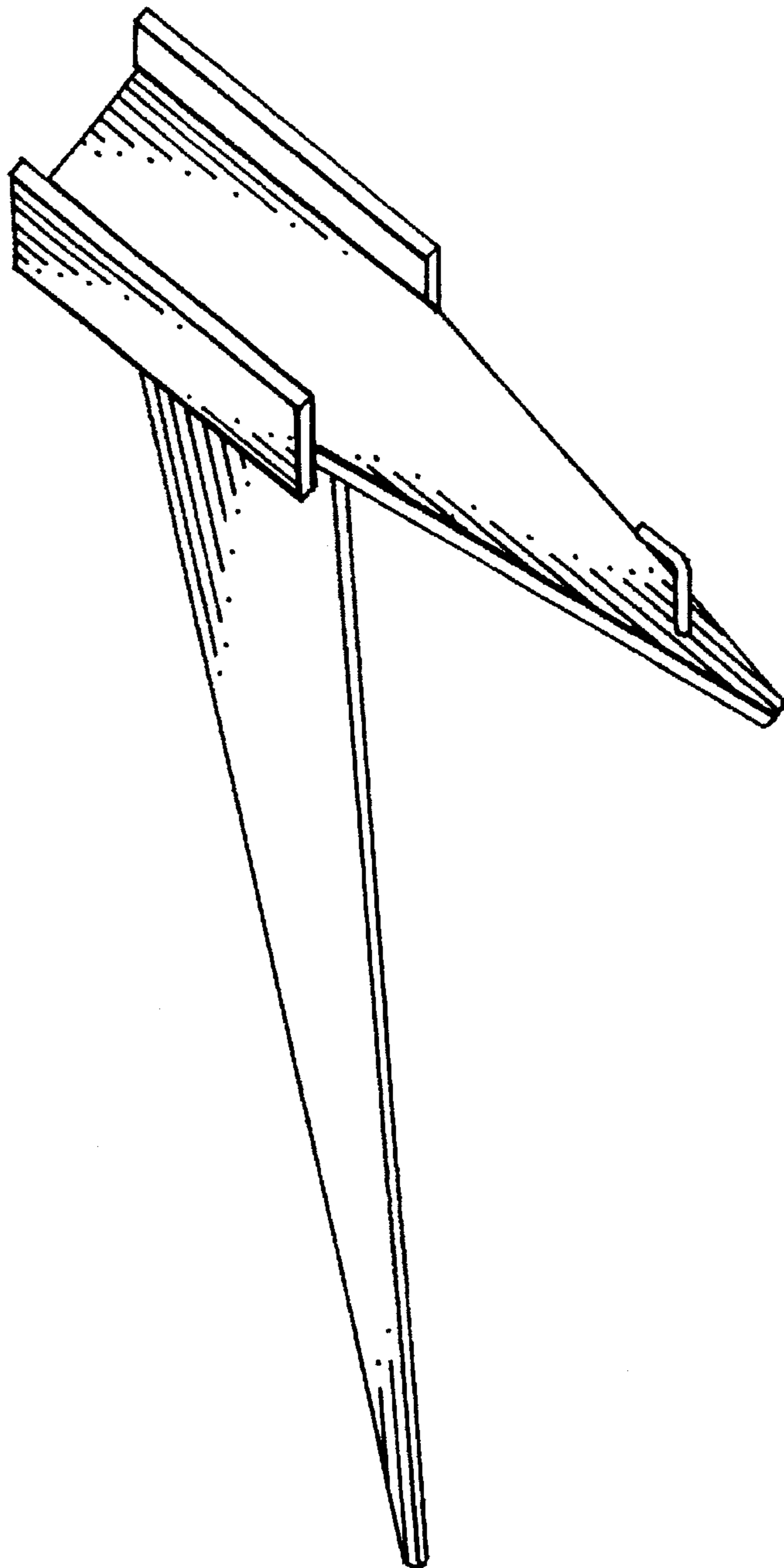


FIG 2

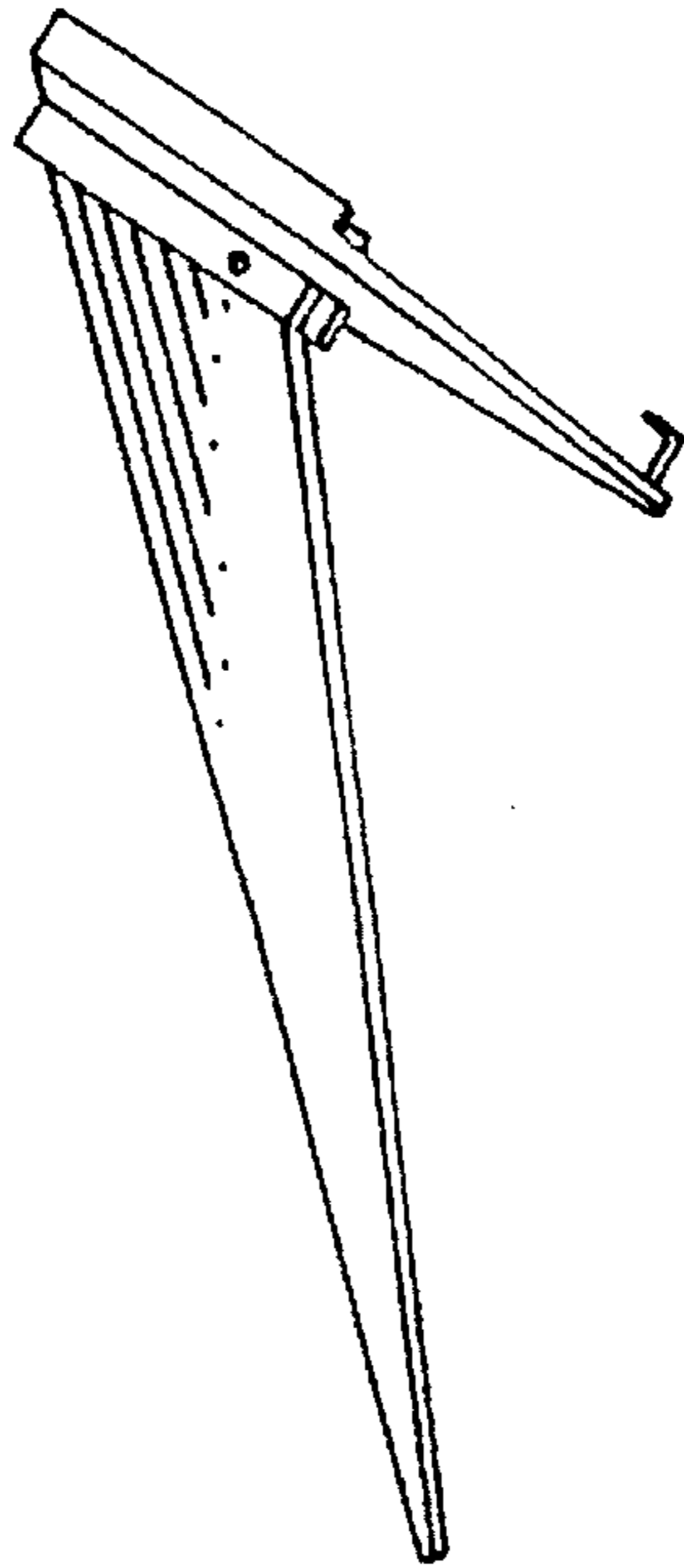


FIG 3

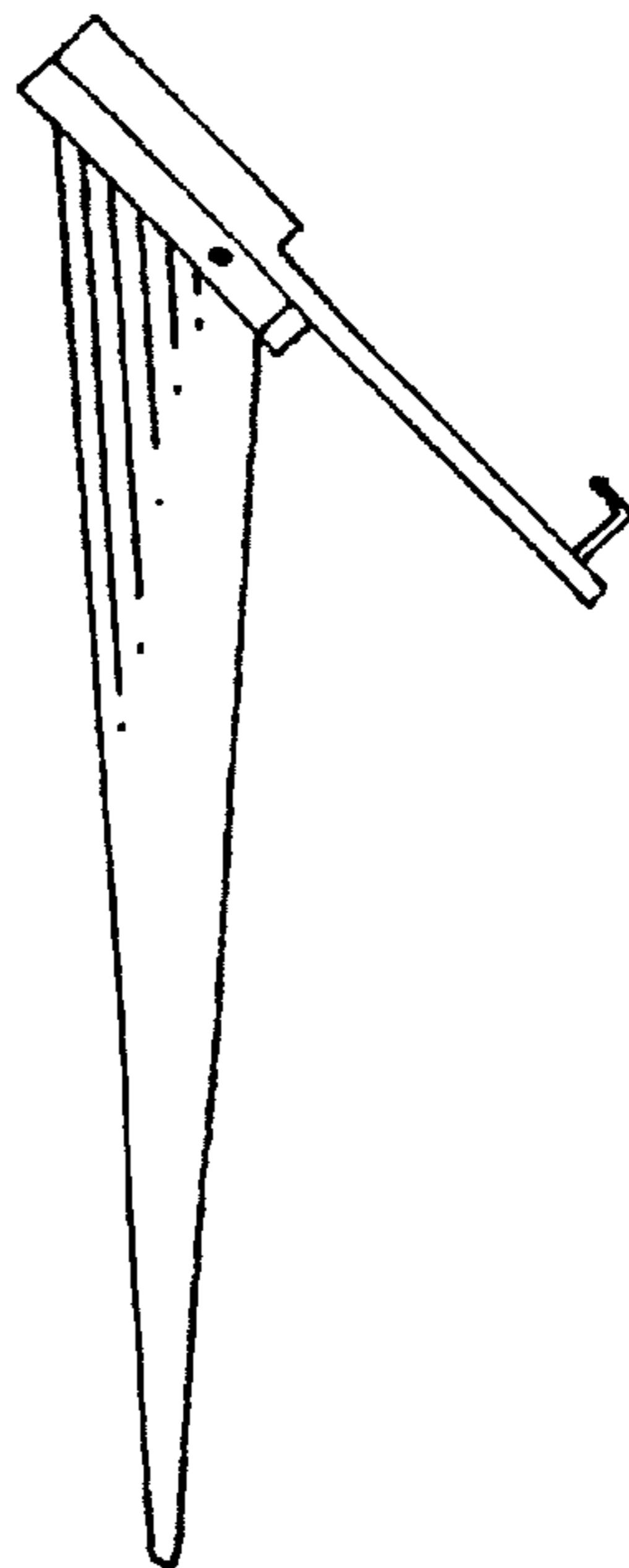


FIG 4

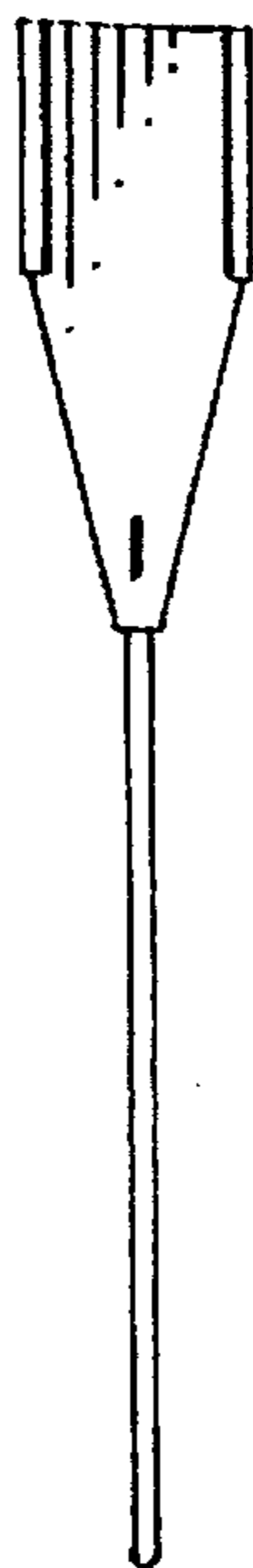


FIG 5

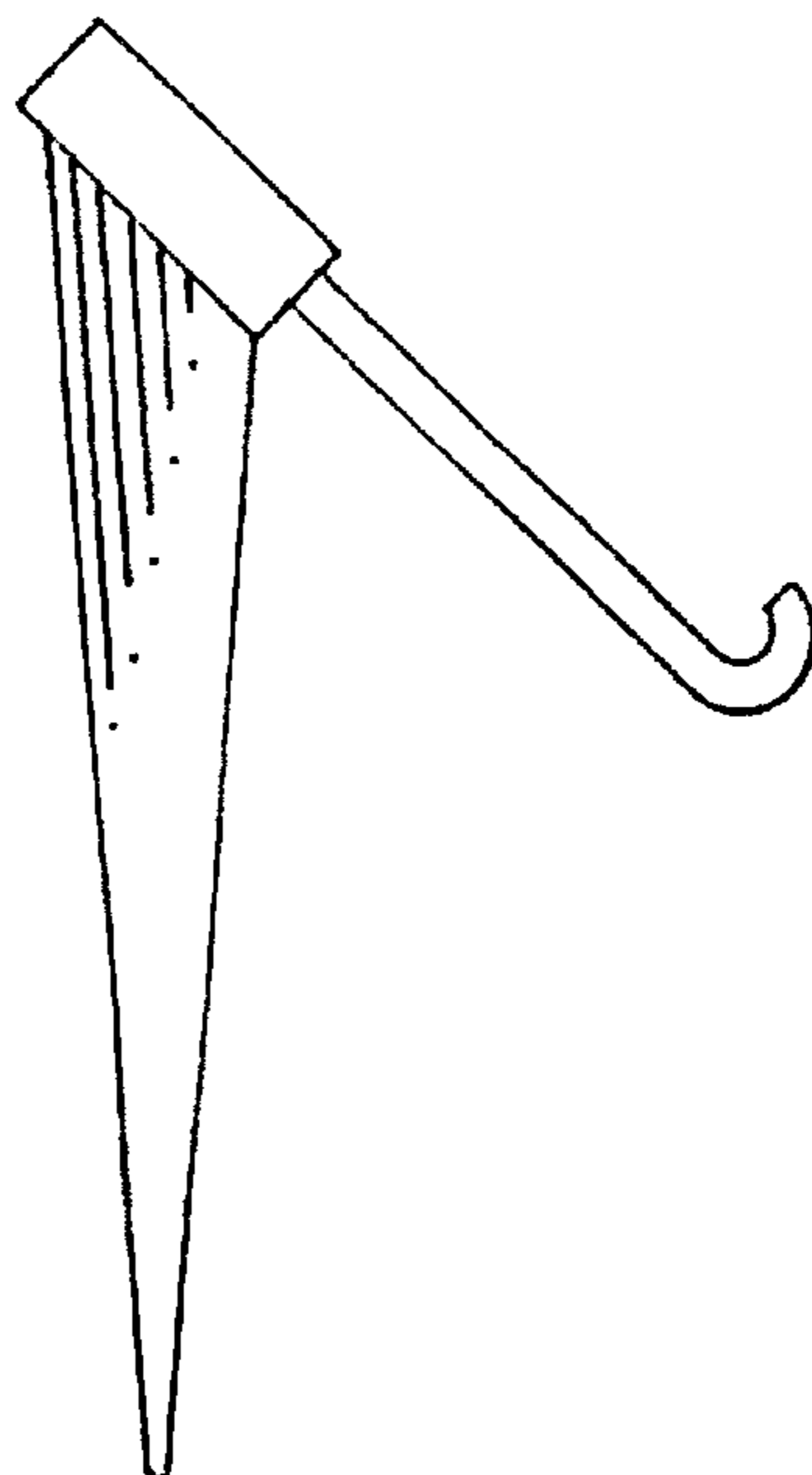


FIG 6

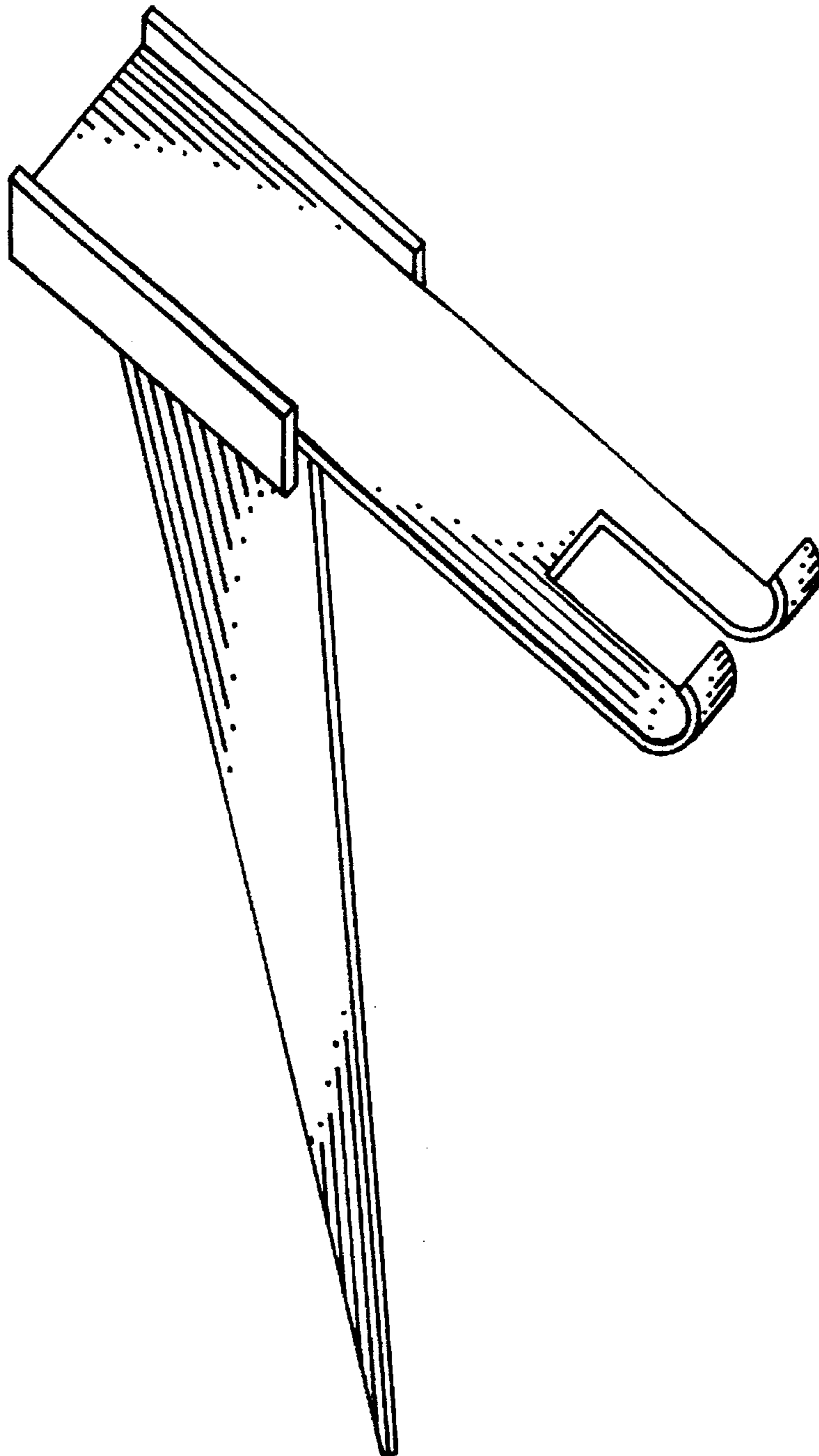


FIG 7

