



US00D382026S

United States Patent [19]

Petersson et al.

[11] Patent Number: **Des. 382,026**

[45] Date of Patent: ****Aug. 5, 1997**

[54] **RAIL ELEMENT FOR A TOY RAILWAY**

[75] Inventors: **Ingvar Petersson, Killeberg; Börje Sander, Lönsboda; Kjell Bertilsson, Osby, all of Sweden**

[73] Assignee: **Brio AB, Osby, Sweden**

[**] Term: **14 Years**

[21] Appl. No.: **56,713**

[22] Filed: **Jul. 8, 1996**

[30] Foreign Application Priority Data

Jan. 23, 1996 [SE] Sweden 960148

[51] LOC (6) Cl. **21-01**

[52] U.S. Cl. **D21/143**

[58] Field of Search D21/129, 143;
446/410, 444-447, 467, 470, 476, 424,
168; 238/10 E, 10 F, 10 R; 104/DIG. 1;
105/1.5

[56] References Cited

U.S. PATENT DOCUMENTS

D. 195,679 7/1963 Genin et al. D21/143

D. 287,609	1/1987	Petersson	D21/143
D. 344,309	2/1994	Ruszkai	D21/143
1,482,632	2/1924	Fergusson	238/10 E
1,714,433	5/1929	Molnar	446/168
1,840,914	1/1932	Ottenstein	238/10 E
2,231,089	2/1941	Rorer	D21/143

OTHER PUBLICATIONS

Brio Wooden Railway Catalog, 1993, p. 14, Elements "T" J and K.

Lionel Train Catalog, 1968, p. 32, Crossing No. 020.

Primary Examiner—Raphael Barkai

Attorney, Agent, or Firm—Barnes, Kisselle, Raisch, Choate, Whittemore & Hulbert, P.C.

[57] CLAIM

The ornamental design for a rail element for a toy railway, as shown.

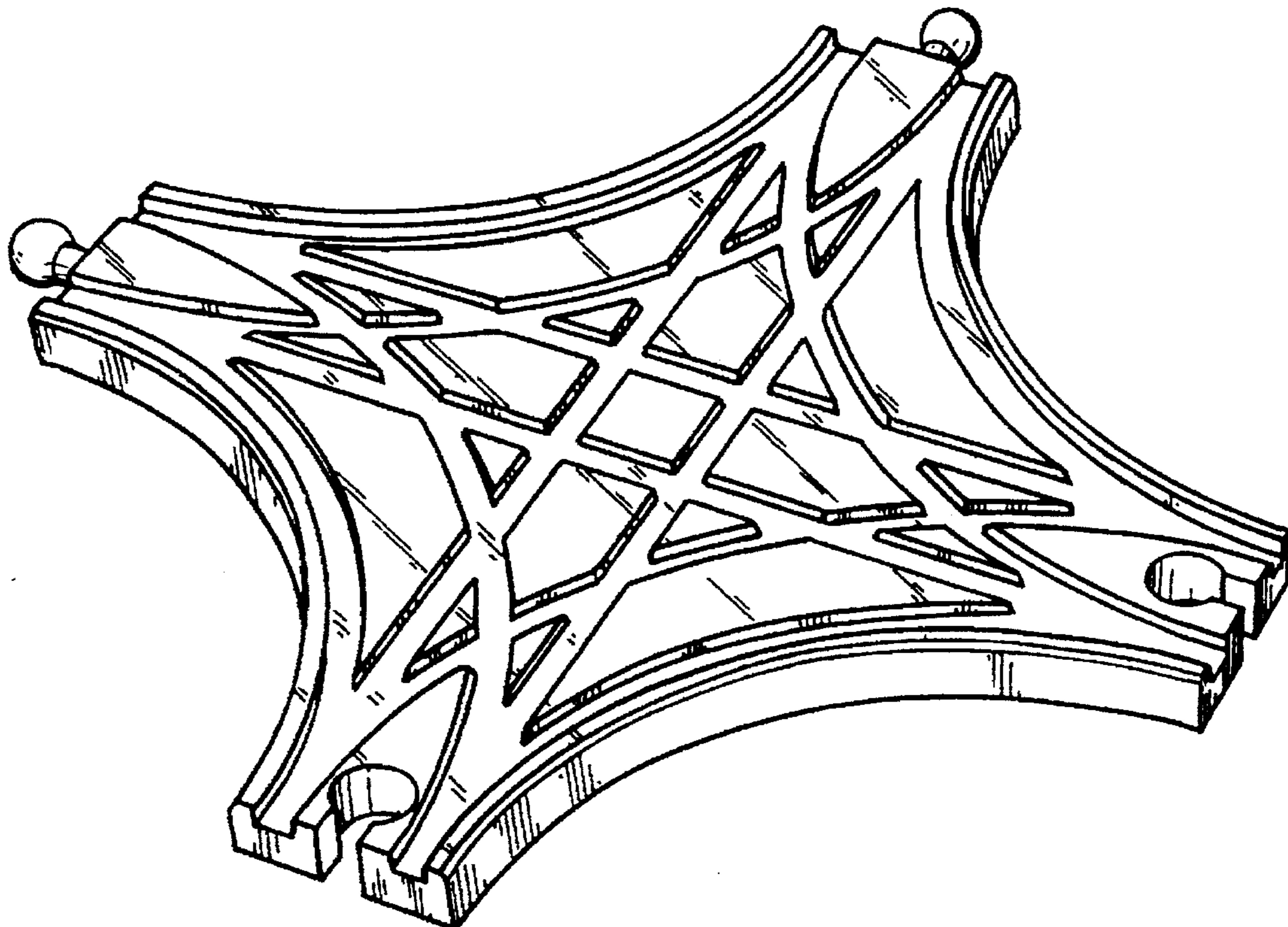
DESCRIPTION

FIG. 1 is a perspective view of a rail element for a toy railway showing our new design;

FIG. 2 is a bottom perspective view thereof; and,

FIG. 3 is a side view thereof.

1 Claim, 1 Drawing Sheet



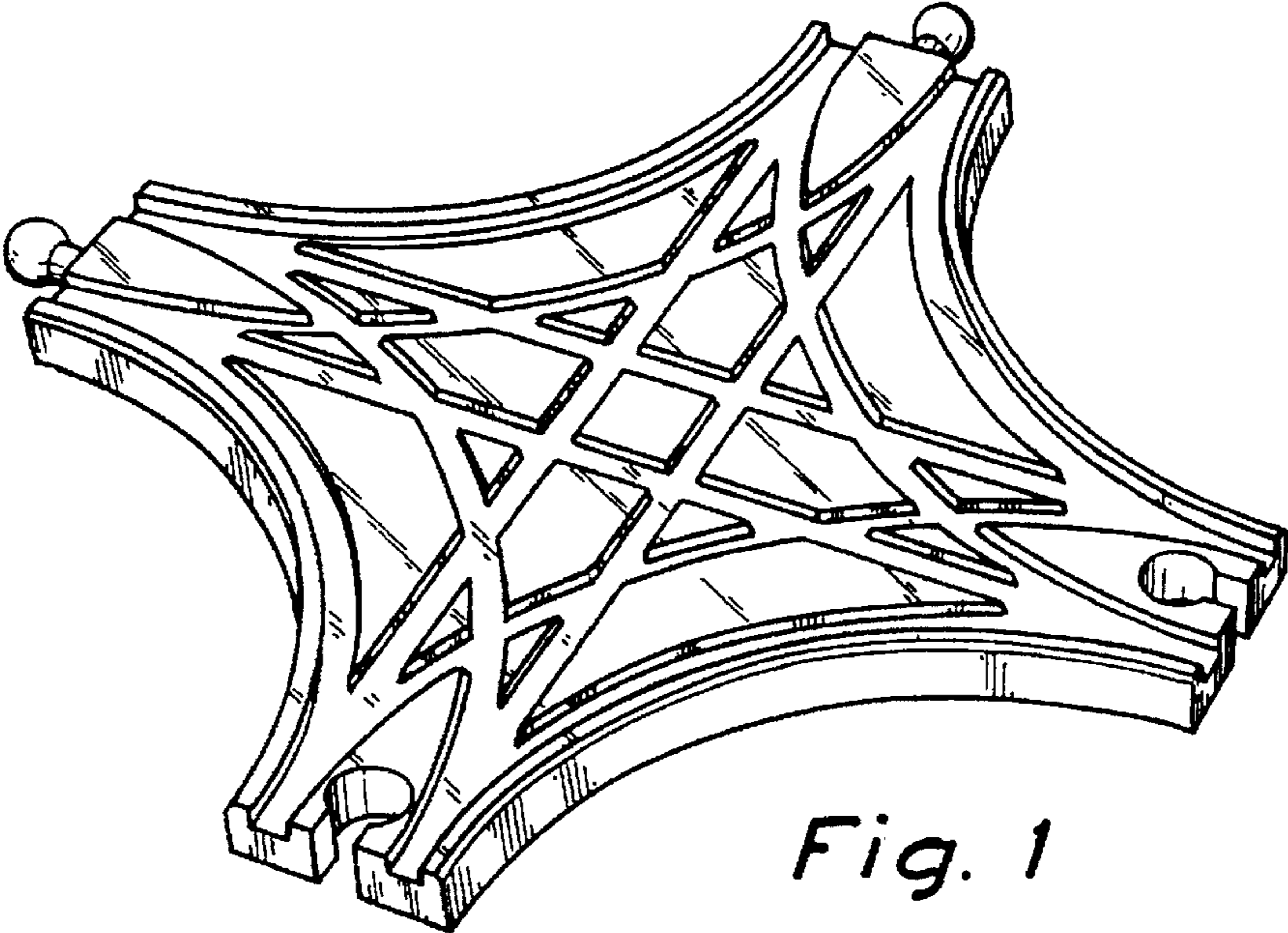


Fig. 1

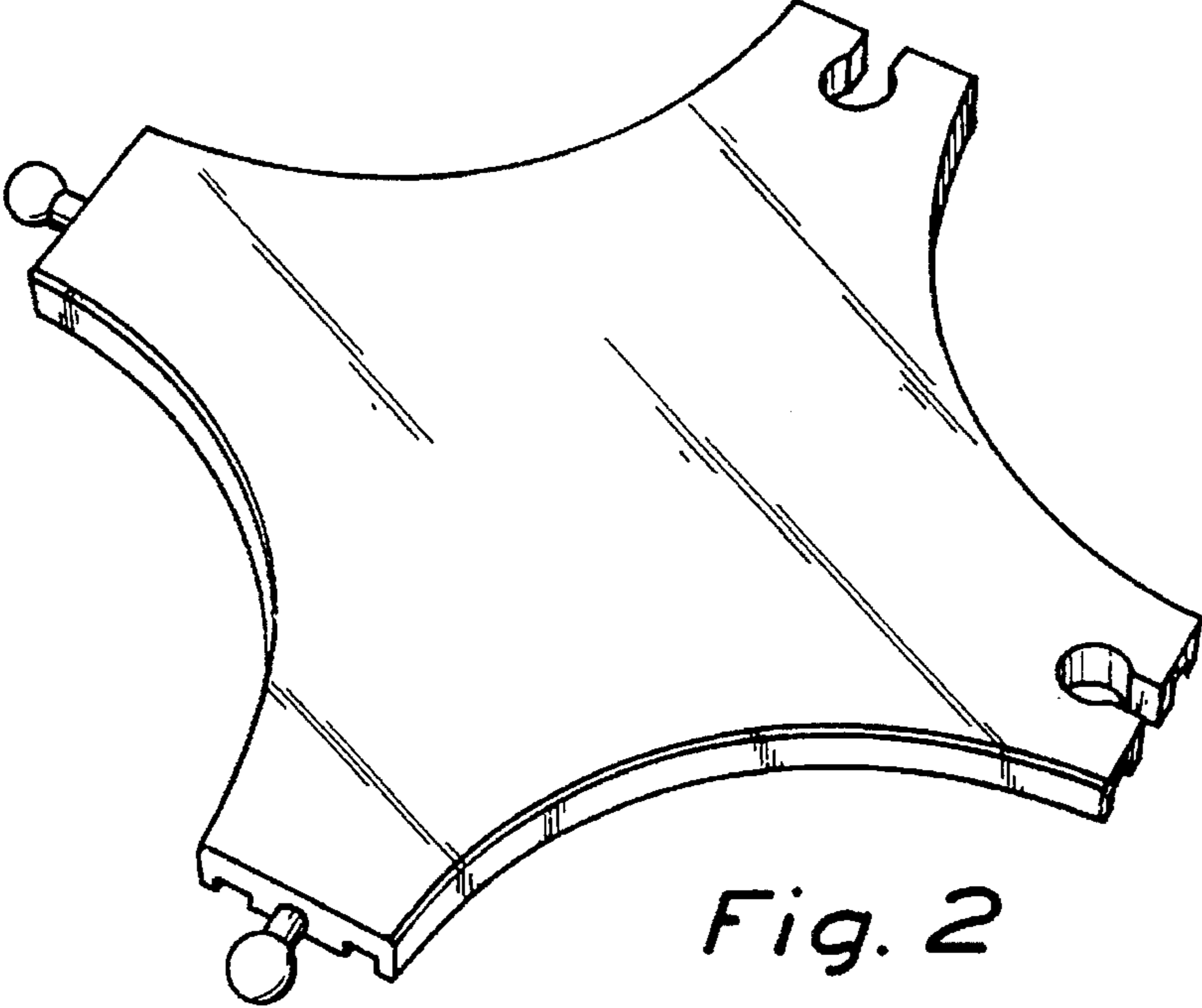


Fig. 2



Fig. 3