



US00D382025S

United States Patent [19]

Doi et al.

[11] Patent Number: **Des. 382,025**

[45] Date of Patent: ****Aug. 5, 1997**

[54] **MOTORIZED BLOCK FOR TOY**

[75] Inventors: **Keiko Doi; Masatsune Sasaki**, both of Tokyo, Japan

[73] Assignee: **Tomy Company Ltd.**, Tokyo, Japan

[**] Term: **14 Years**

[21] Appl. No.: **37,944**

[22] Filed: **Apr. 25, 1995**

[30] **Foreign Application Priority Data**

Oct. 28, 1994 [JP] Japan 6-33085

[51] LOC (6) Cl. **21-01**

[52] U.S. Cl. **D21/125; D21/108**

[58] Field of Search D21/108, 124, D21/125, 59, 109, 136, 137; 446/16, 90, 93, 103, 104, 121, 128, 457, 463, 470, 471

[56] **References Cited**

U.S. PATENT DOCUMENTS

- D. 201,235 5/1965 Merl D21/125
- D. 285,319 8/1986 Nielsen D21/108
- D. 305,442 1/1990 Knudsen D21/108
- D. 314,993 2/1991 Hatting et al. D21/108

- D. 317,477 6/1991 Poulsen D21/108
- D. 360,438 7/1995 Foster et al. D21/125
- D. 362,875 10/1995 Vognsen D21/108
- D. 364,198 11/1995 Bluff D21/108
- D. 365,857 1/1996 Lyman D21/108
- 1,915,840 6/1933 Svebilus 446/90
- 3,659,378 5/1972 Tong 446/90
- 4,224,758 9/1980 Fischer 446/90
- 4,636,178 1/1987 Oda 446/471

OTHER PUBLICATIONS

Motorized Tinkertoy Ad.

Primary Examiner—Raphael Barkai
Attorney, Agent, or Firm—Staas & Halsey

[57] **CLAIM**

The ornamental design for a motorized block for toy, as shown.

DESCRIPTION

FIG. 1 is a front elevational view of the motorized block for toy;
 FIG. 2 is a rear elevational view thereof;
 FIG. 3 is top plan view thereof;
 FIG. 4 is a bottom plan view thereof;
 FIG. 5 is a right side elevational view thereof; and,
 FIG. 6 is a left side elevational view thereof.

1 Claim, 2 Drawing Sheets

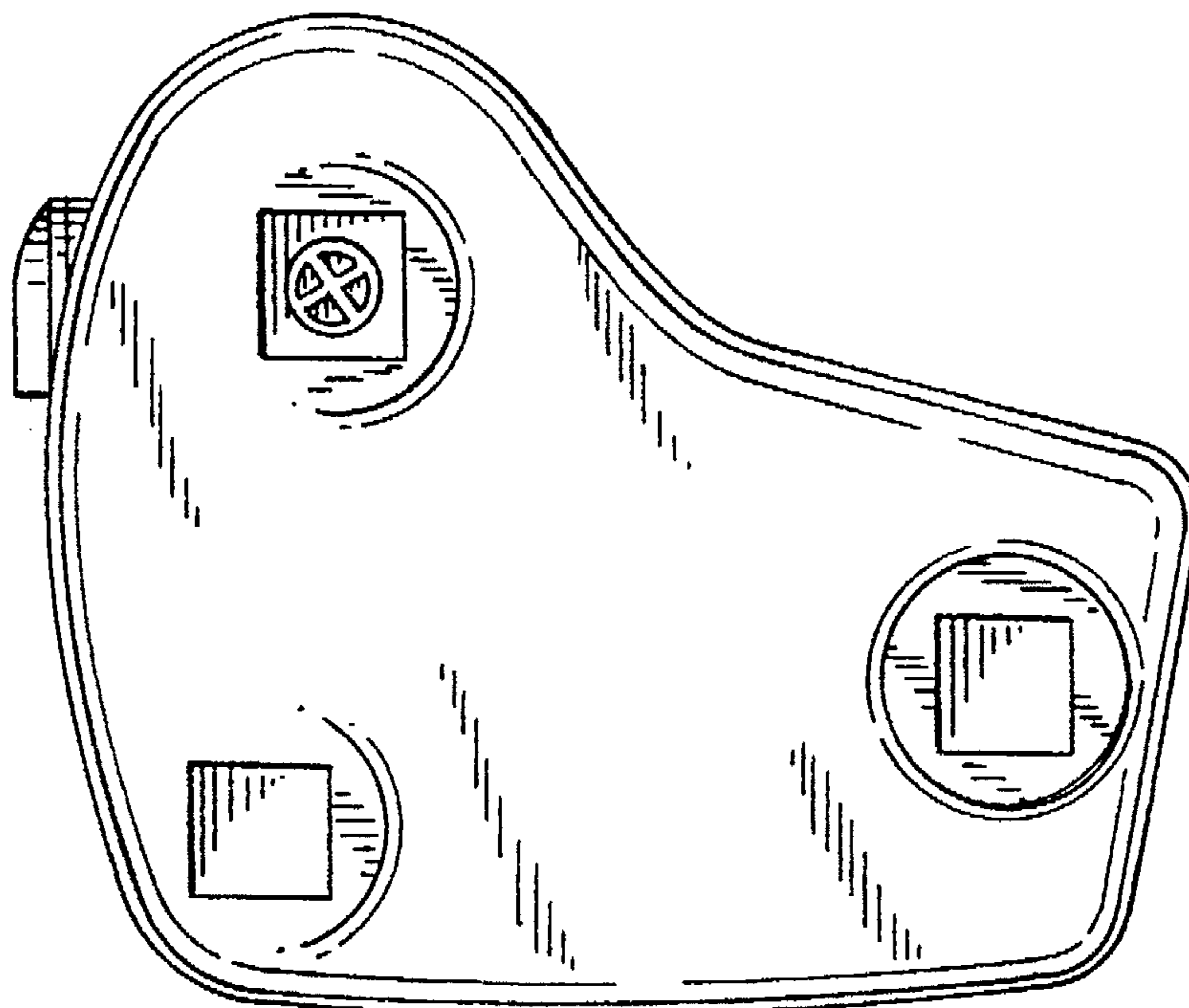


FIG. 1

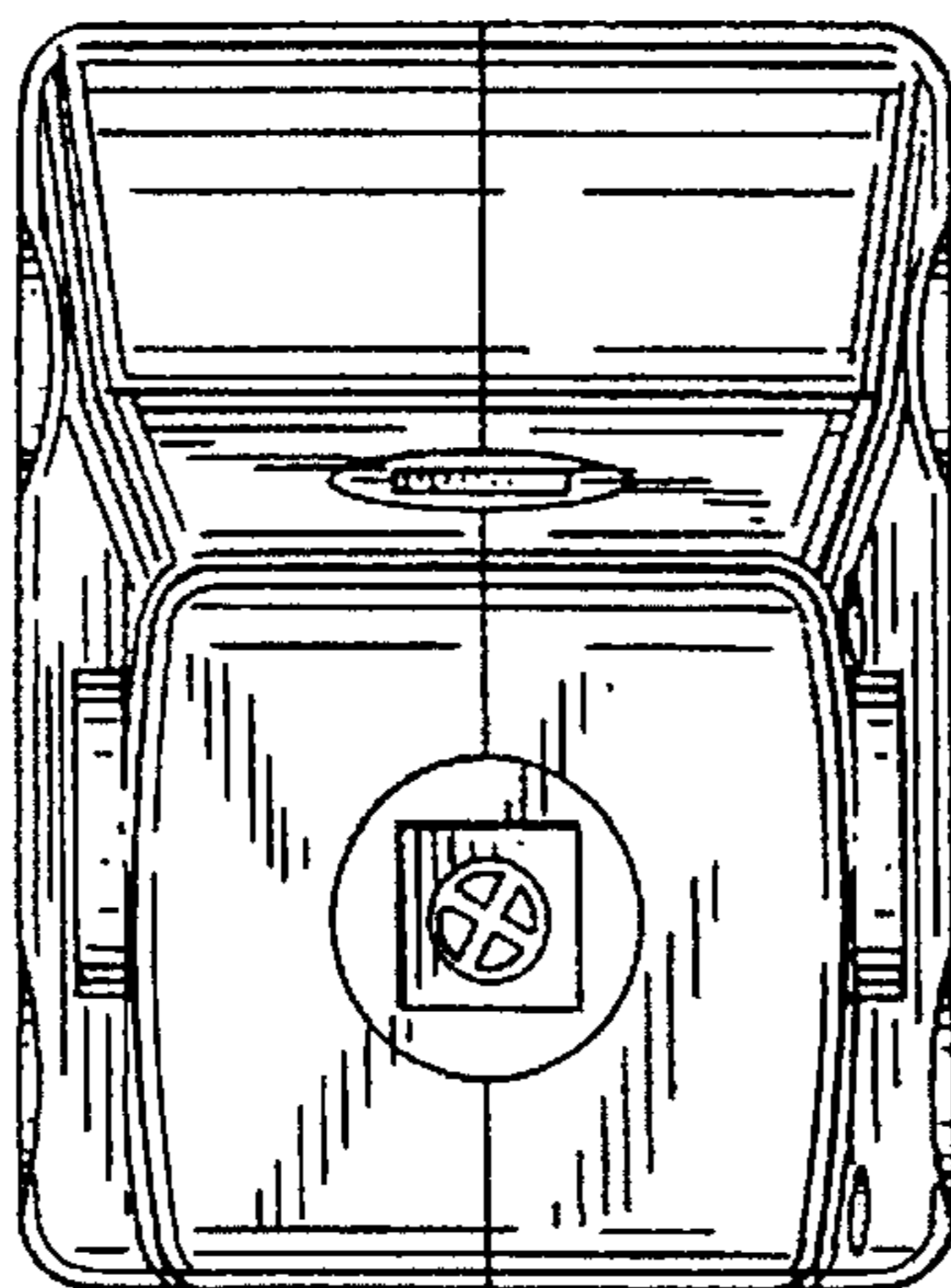


FIG. 2

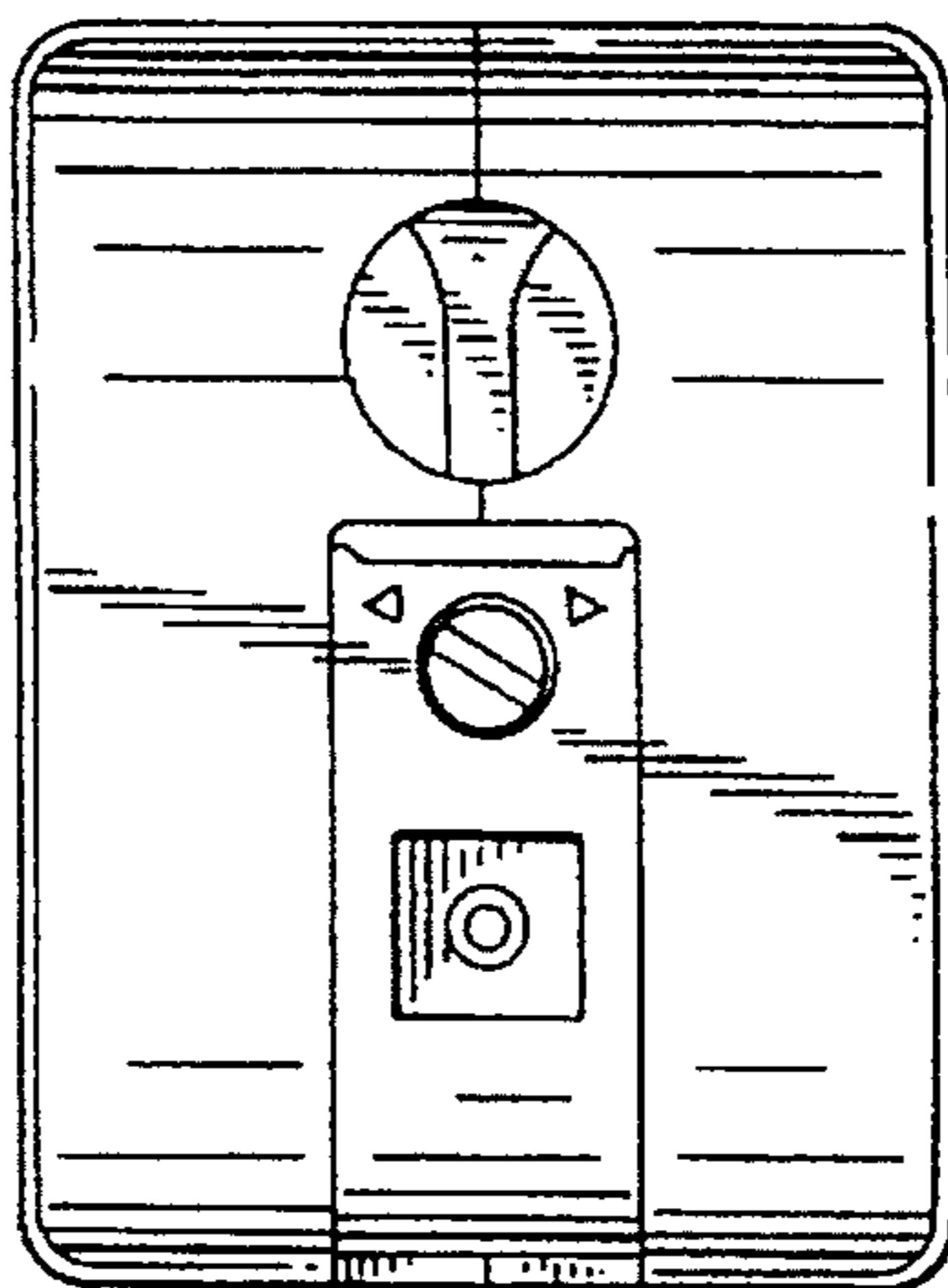


FIG. 3

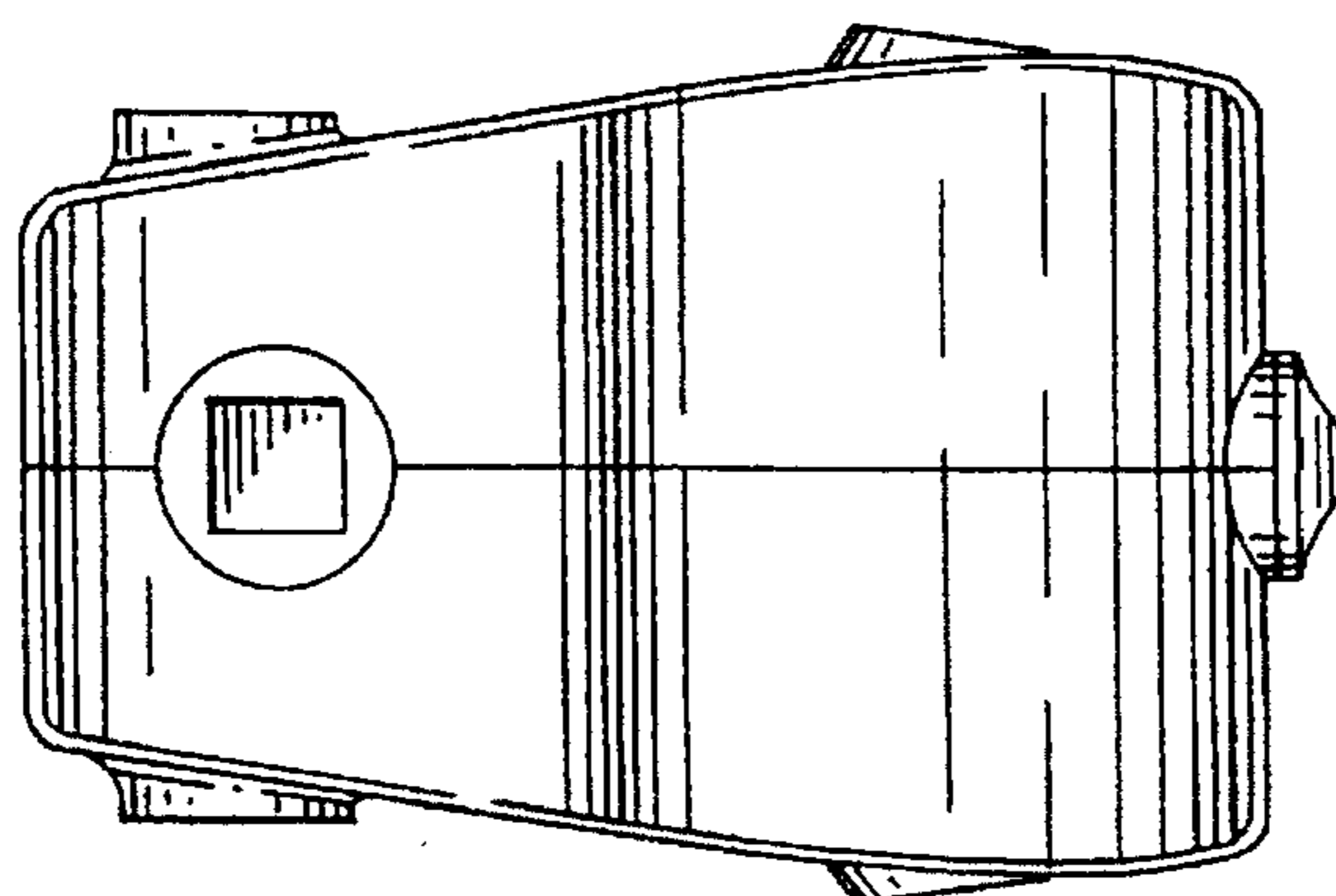


FIG. 4

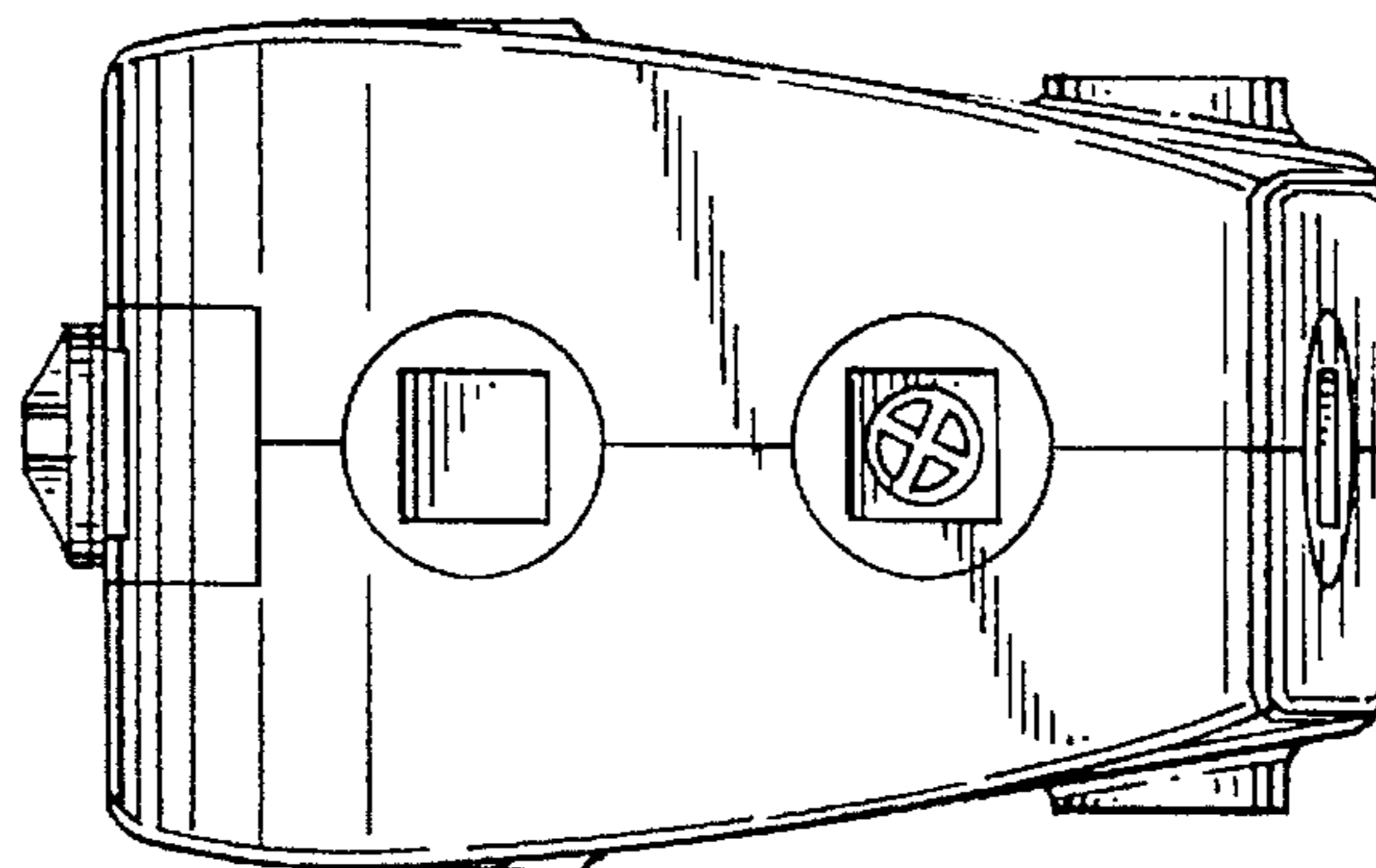


FIG. 5

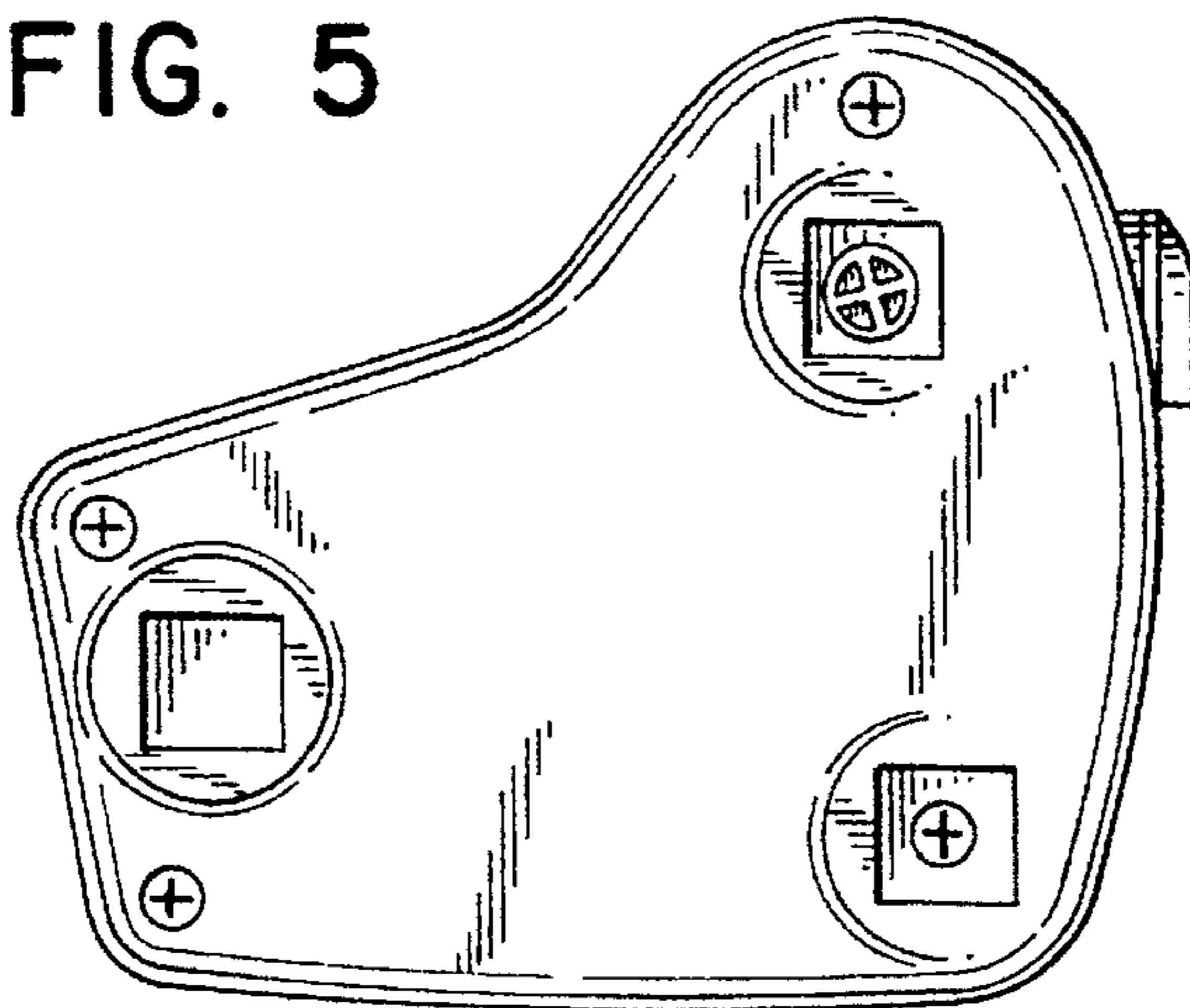


FIG. 6

