



US00D382024S

United States Patent [19] Ewringmann

[11] Patent Number: **Des. 382,024**

[45] Date of Patent: ****Aug. 5, 1997**

[54] **TOY TRACTOR**

[75] Inventor: **Ulrich Ewringmann,**
Taufkirchen-Potzham, Germany

[73] Assignee: **Franz Schneider GmbH & Co. KG,**
Neustadt/Coburg, Germany

[**] Term: **14 Years**

[21] Appl. No.: **28,601**

[22] Filed: **Sep. 27, 1994**

[51] LOC (6) Cl. **21-01**

[52] U.S. Cl. **D21/79**

[58] Field of Search D21/71, 74, 75,
D21/76, 78-80, 129, 130, 132, 134, 135;
D12/92, 100; D15/15, 23, 25, 26; 446/160,
428, 447, 456, 465, 470; 280/1.13, 87.021,
828, 47.11

[56] **References Cited**

U.S. PATENT DOCUMENTS

D. 202,436 9/1965 Schreckengost D21/79
D. 224,298 7/1972 Kermes D15/23

D. 251,749 5/1979 Bretschger D21/79
D. 297,239 8/1988 Funabashi et al. D15/23
D. 310,374 9/1990 Westmayer et al. D15/15
D. 354,756 1/1995 Hinklin D15/15

OTHER PUBLICATIONS

John Deere Tractor advertising leaflet.

Primary Examiner—Raphael Barkai
Attorney, Agent, or Firm—Jacobson, Price, Holman & Stern,
PLLC

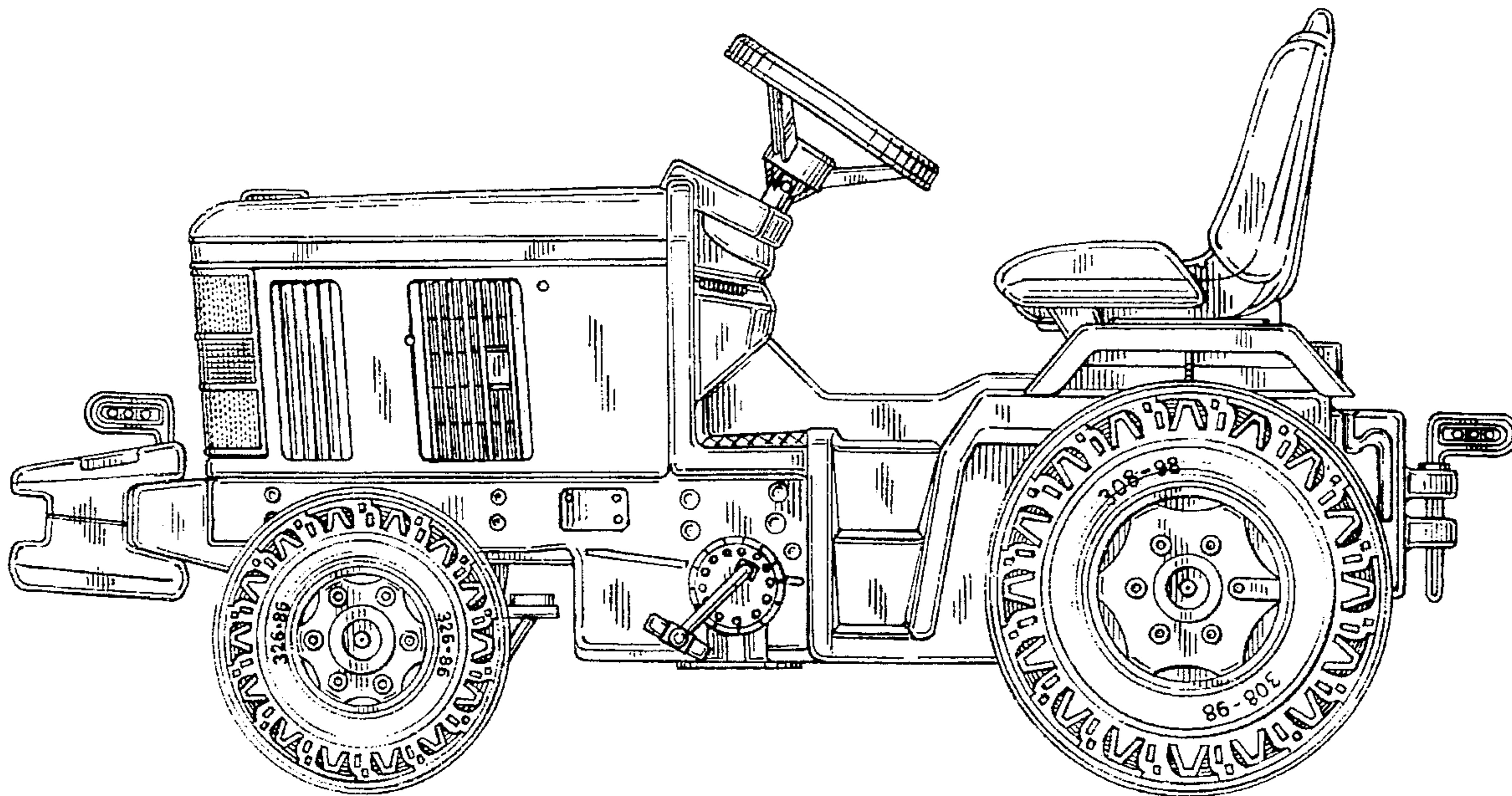
[57] **CLAIM**

The ornamental design for a toy tractor, as shown and described.

DESCRIPTION

FIG. 1 is a left side view showing my new design for a toy tractor;
FIG. 2 is a right side view thereof;
FIG. 3 is a front view thereof;
FIG. 4 is a rear view thereof;
FIG. 5 is a top view thereof; and,
FIG. 6 is a bottom plan view thereof.

1 Claim, 6 Drawing Sheets



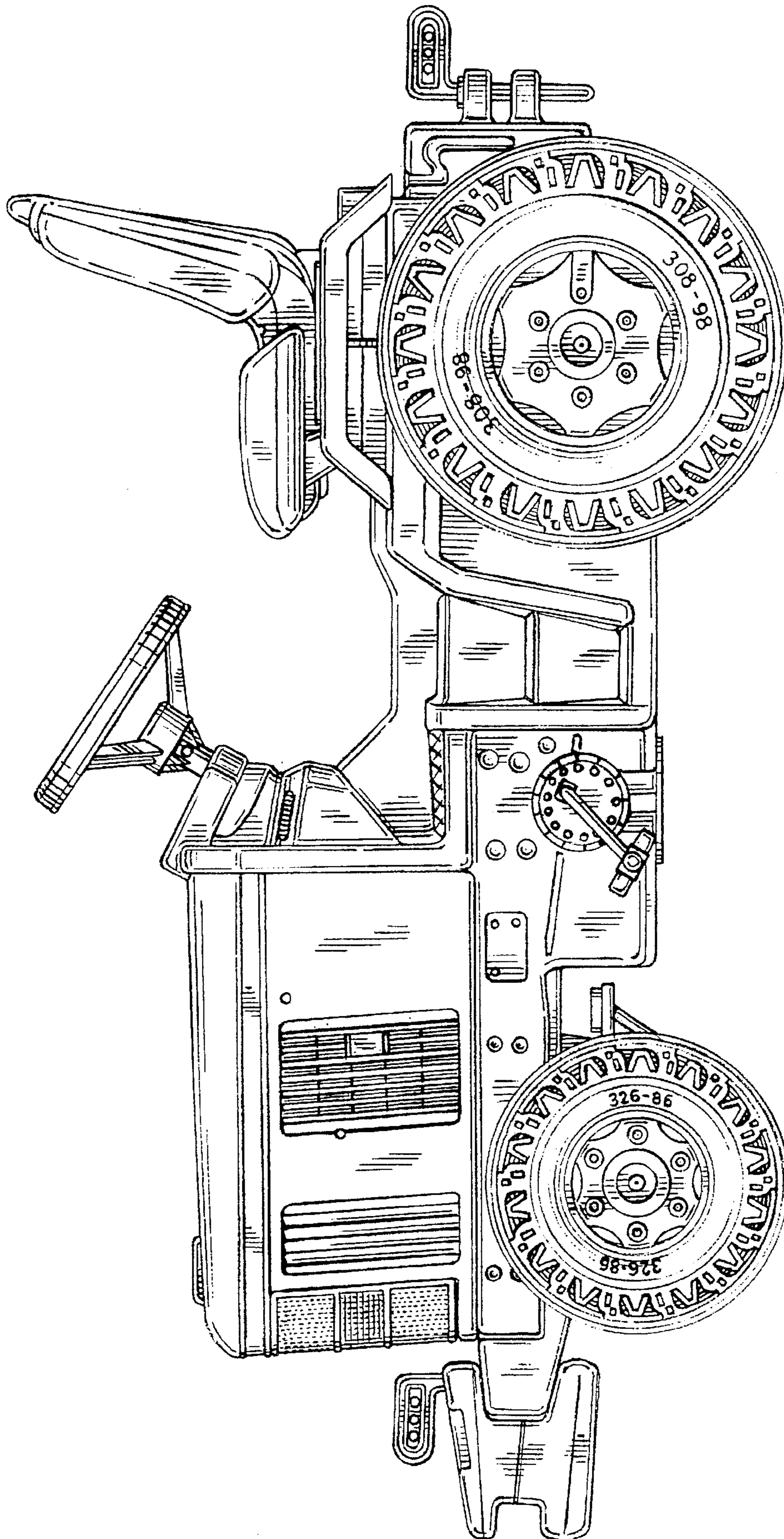


FIG. 1

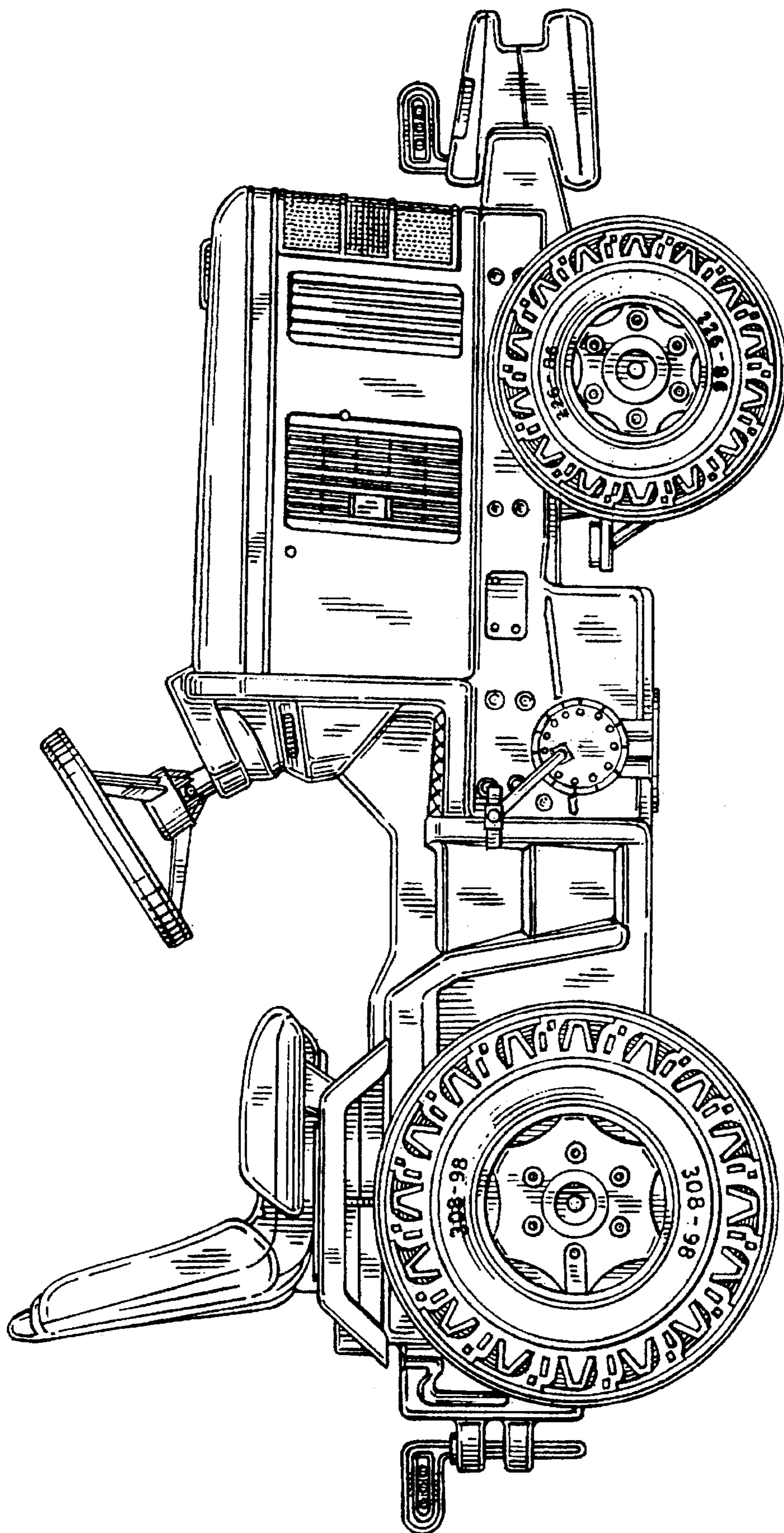


FIG. 2

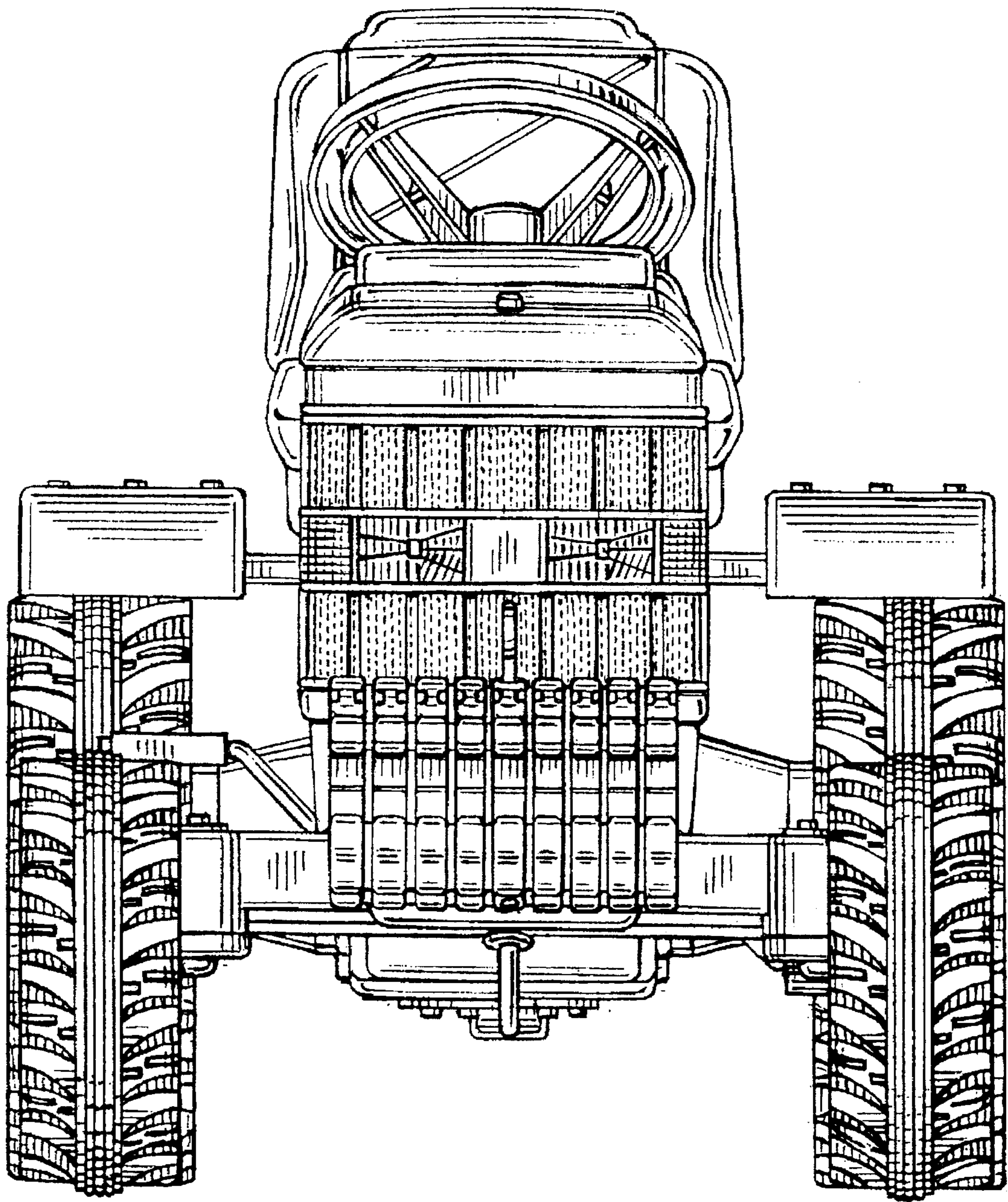


FIG. 3

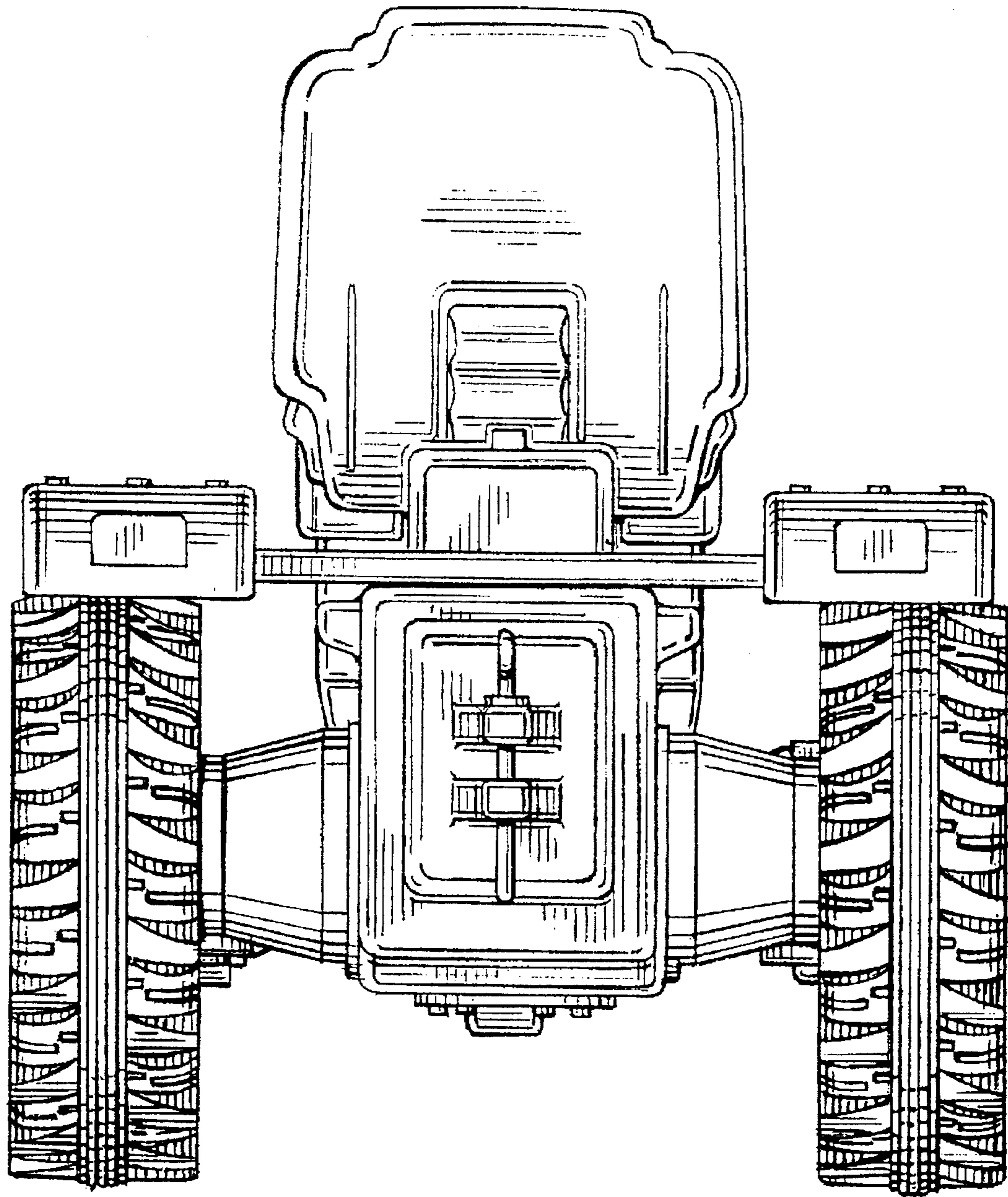


FIG. 4

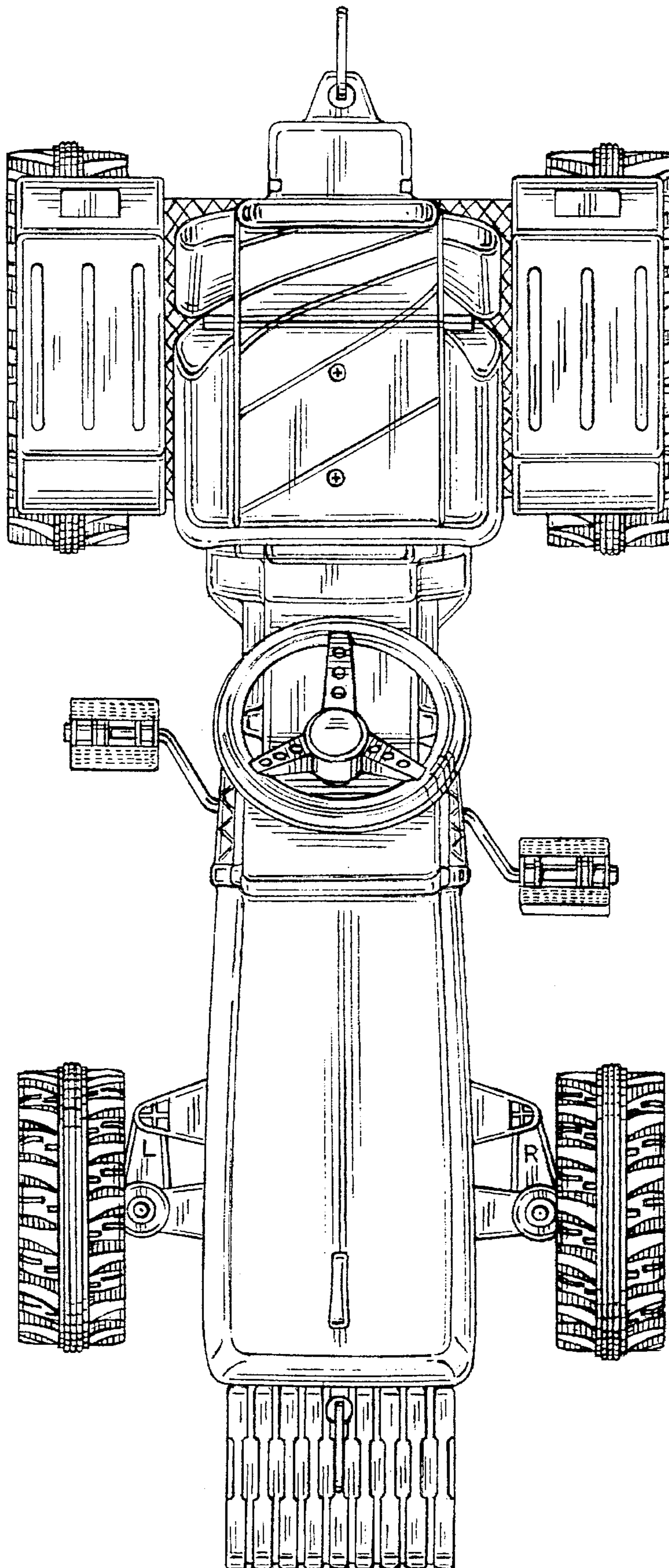


FIG. 5

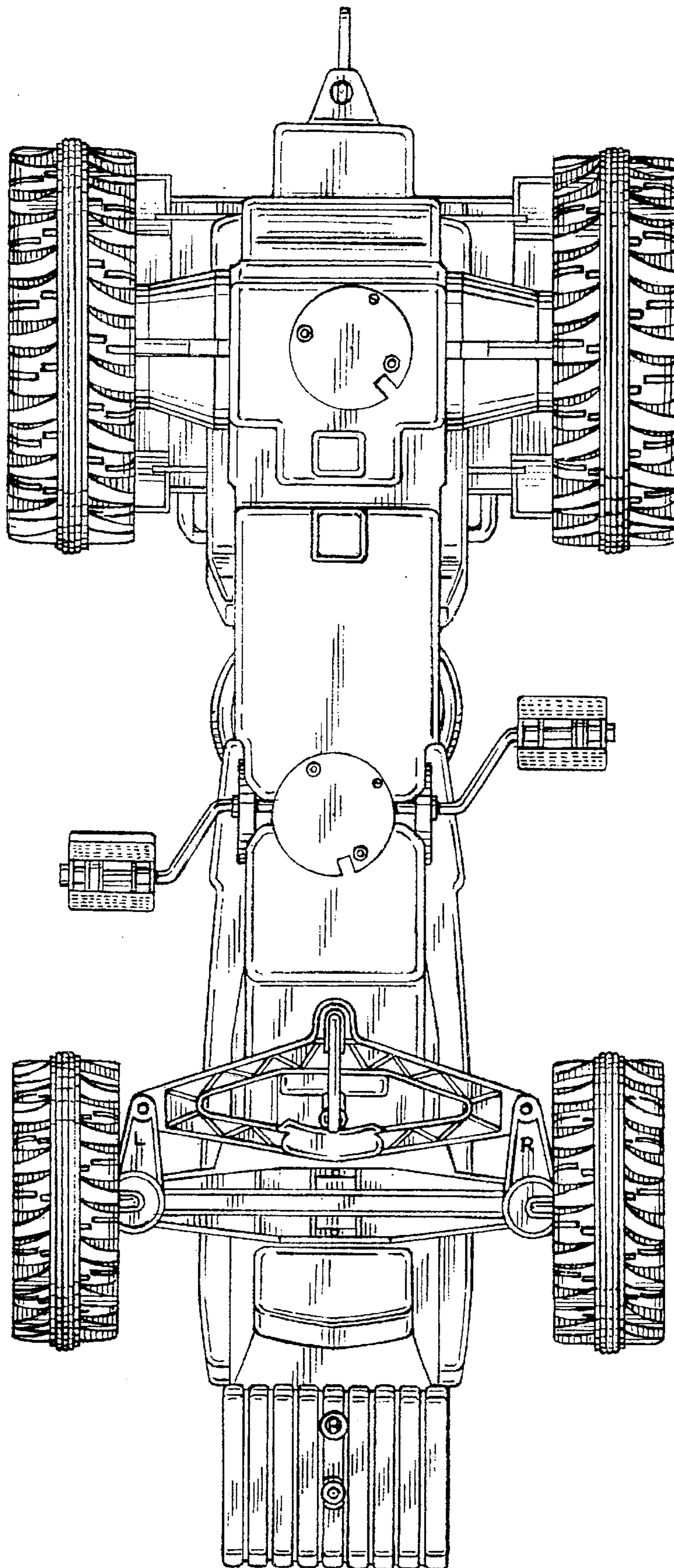


FIG. 6