



US00D382023S

# United States Patent [19]

Brady

[11] Patent Number: Des. 382,023

[45] Date of Patent: \*\*Aug. 5, 1997

[54] TOY

D. 350,755 9/1994 Tou ..... D14/189  
D. 351,627 10/1994 Beckwith ..... D21/64

[76] Inventor: **Jack C. Brady**, 10316 Black Walnut,  
Dallas, Tex. 75243

*Primary Examiner*—Dominic Simone  
*Attorney, Agent, or Firm*—Jack A. Kanz

[\*\*] Term: 14 Years

### [57] CLAIM

[21] Appl. No.: 54,127

The ornamental design for a toy, as shown.

[22] Filed: May 7, 1996

### DESCRIPTION

[51] LOC (6) Cl. .... 21-01

FIG. 1 is a front perspective view of a toy showing my new design;

[52] U.S. Cl. .... D21/64; D21/59; D14/189

FIG. 2 is a top plan view thereof;

[58] Field of Search ..... D21/64, 59; D14/188,  
D14/189; 455/344, 347-351

FIG. 3 is a side elevational view thereof, the opposite side being a mirror image of the view of FIG. 3;

FIG. 4 is an bottom plan view thereof;

FIG. 5 is an end view thereof; and,

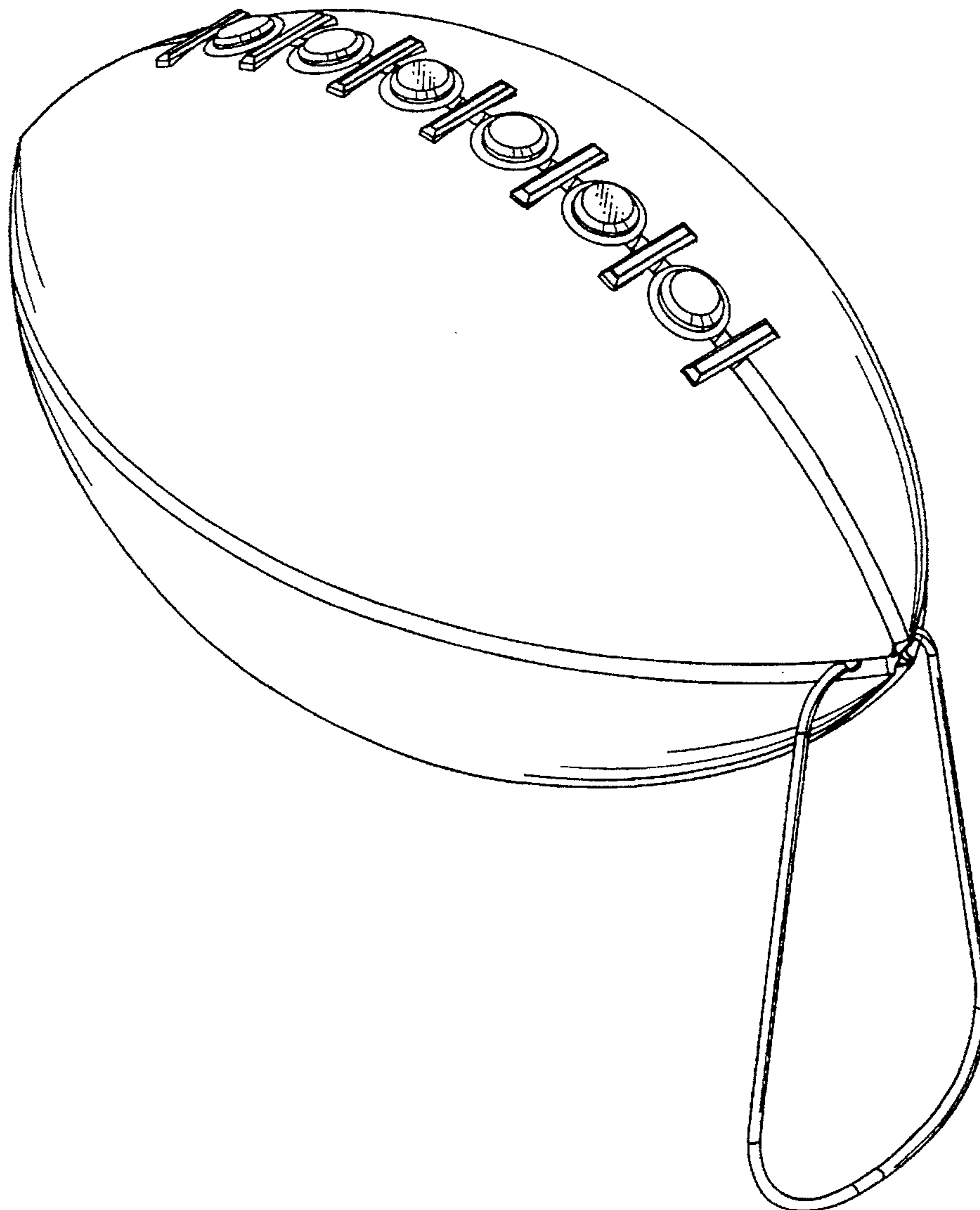
FIG. 6 is an end view of the opposite end of my toy.

### [56] References Cited

#### U.S. PATENT DOCUMENTS

- D. 145,800 10/1946 House, Jr. .... D14/189
- D. 278,642 4/1985 Martinez ..... D21/64
- D. 339,384 9/1993 Seifan ..... D21/64

1 Claim, 2 Drawing Sheets



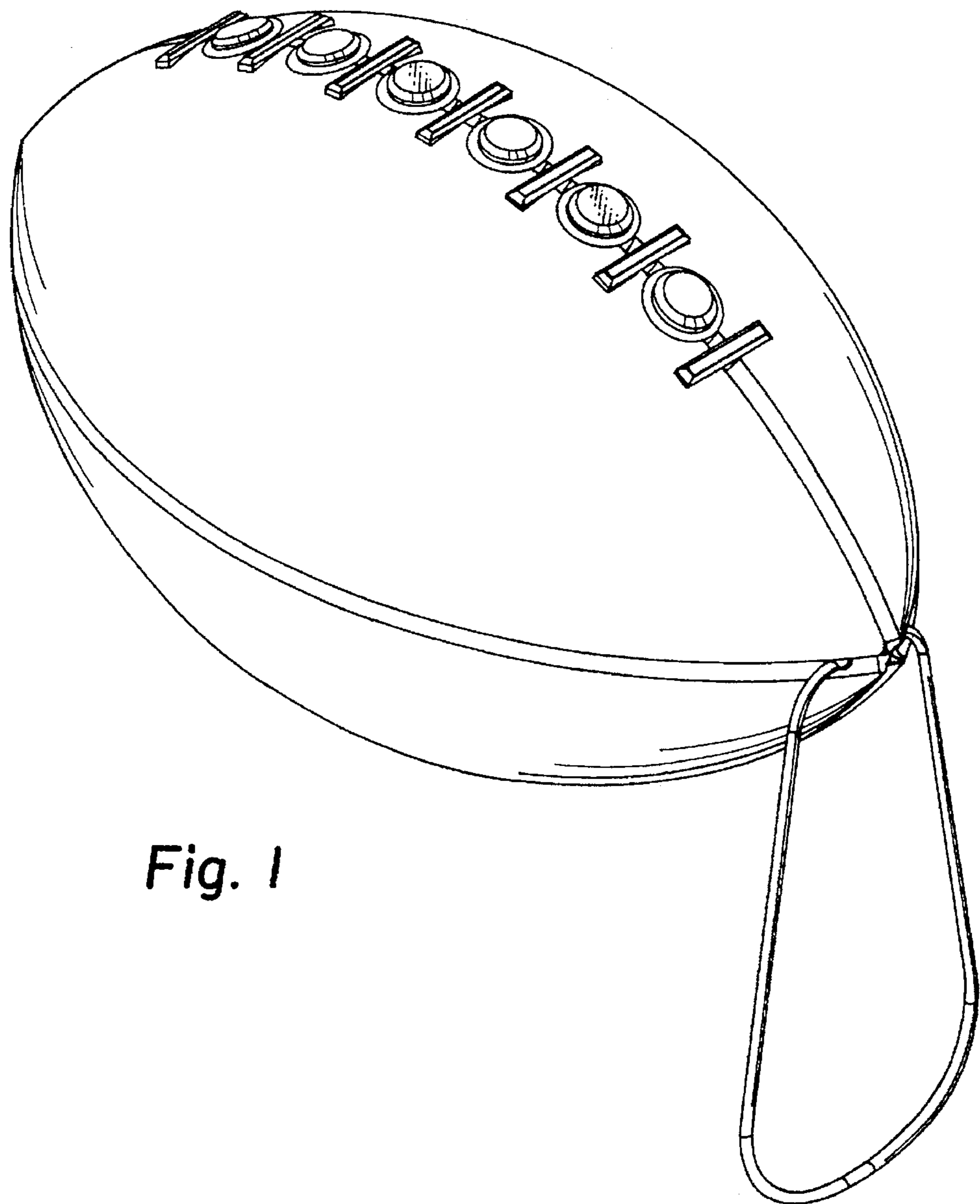


Fig. 1

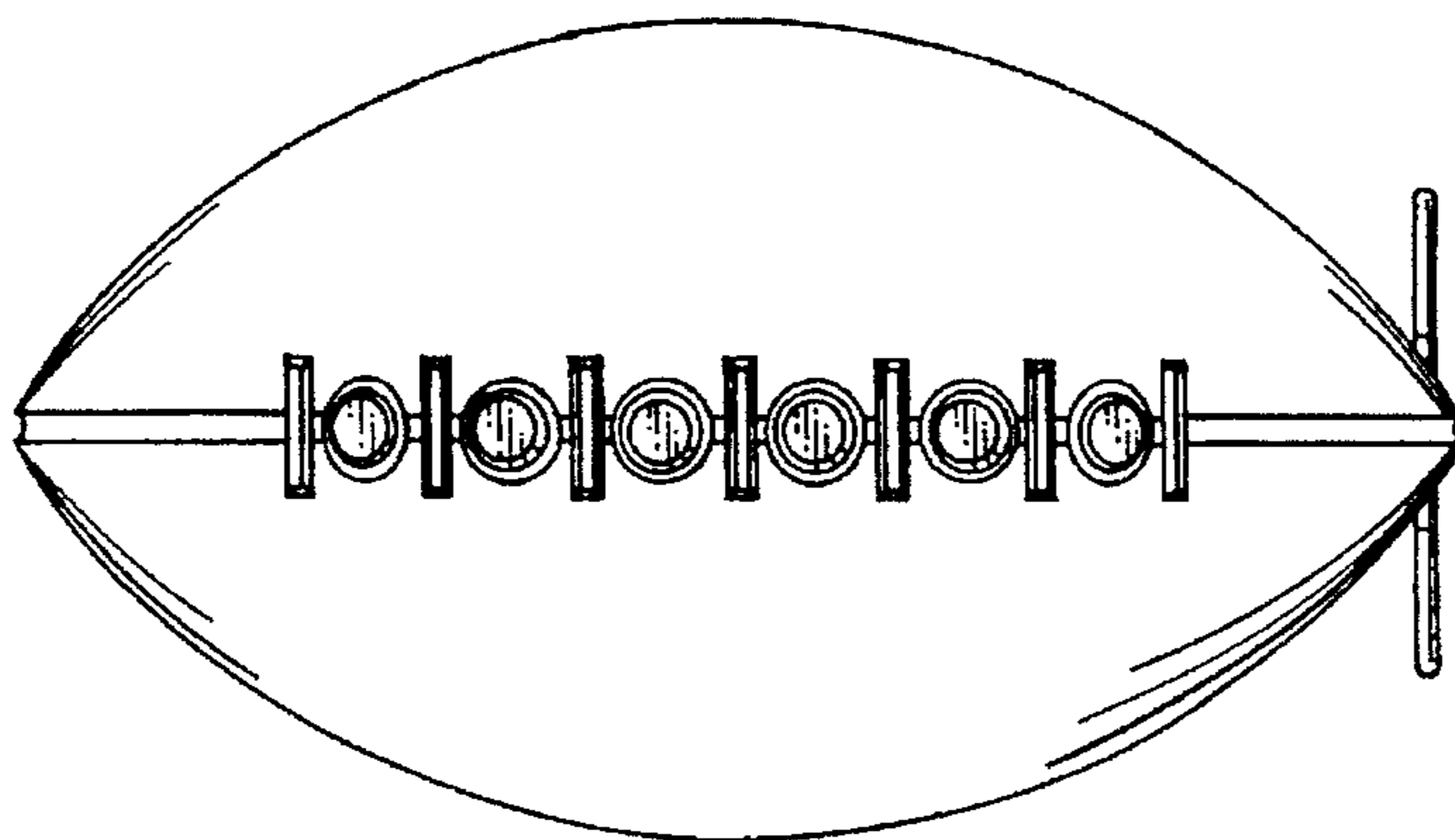


Fig. 2

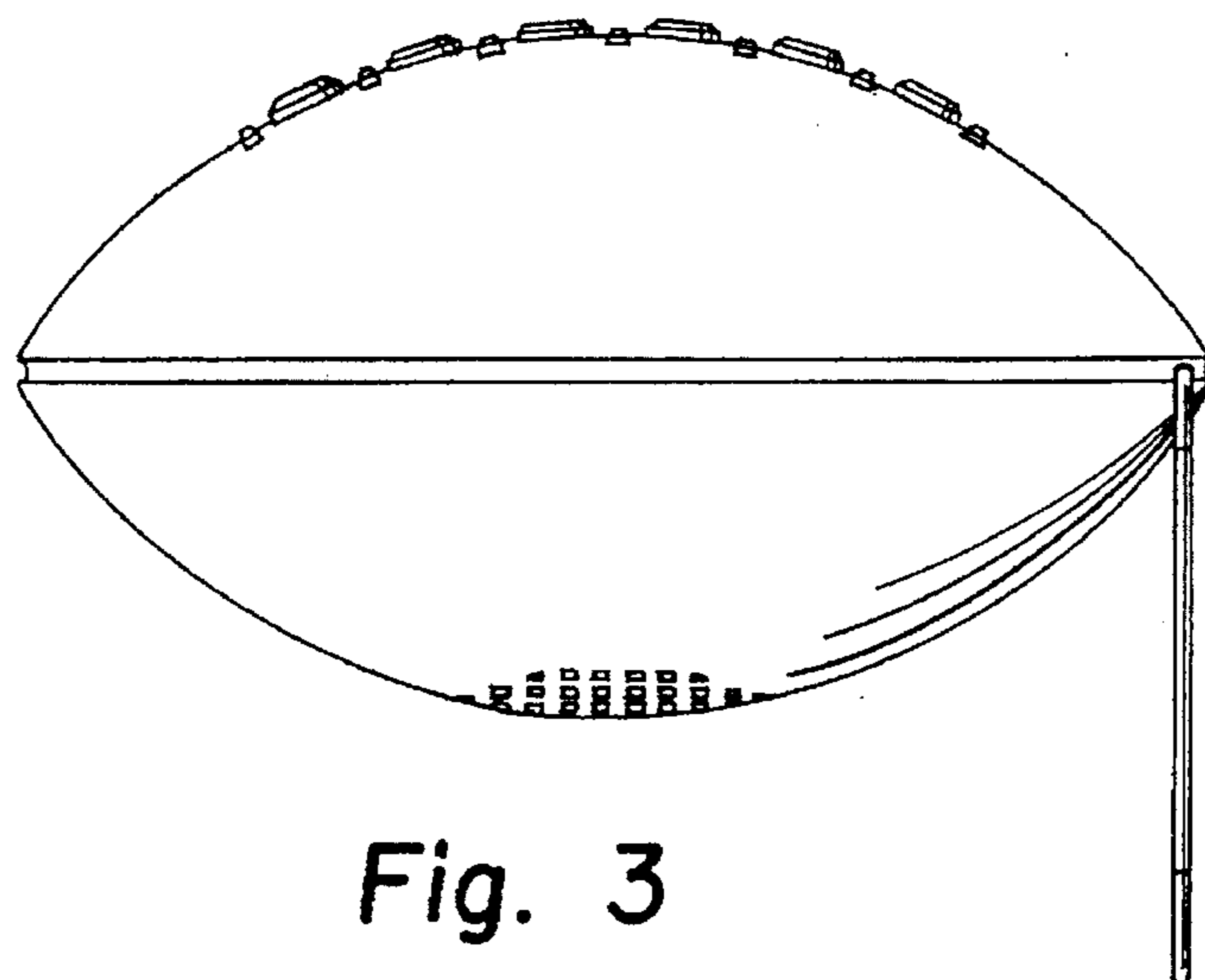


Fig. 3

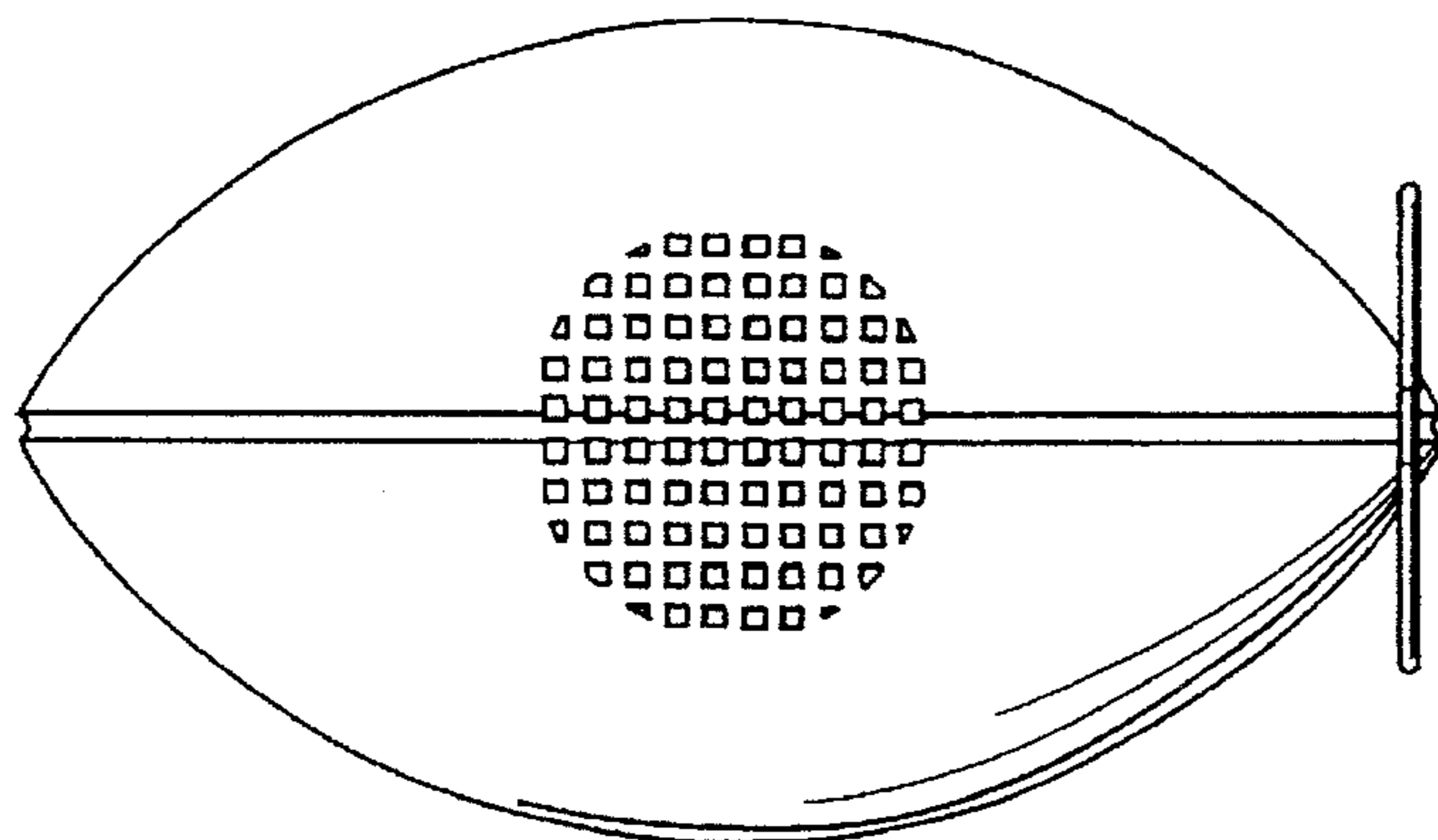


Fig. 4

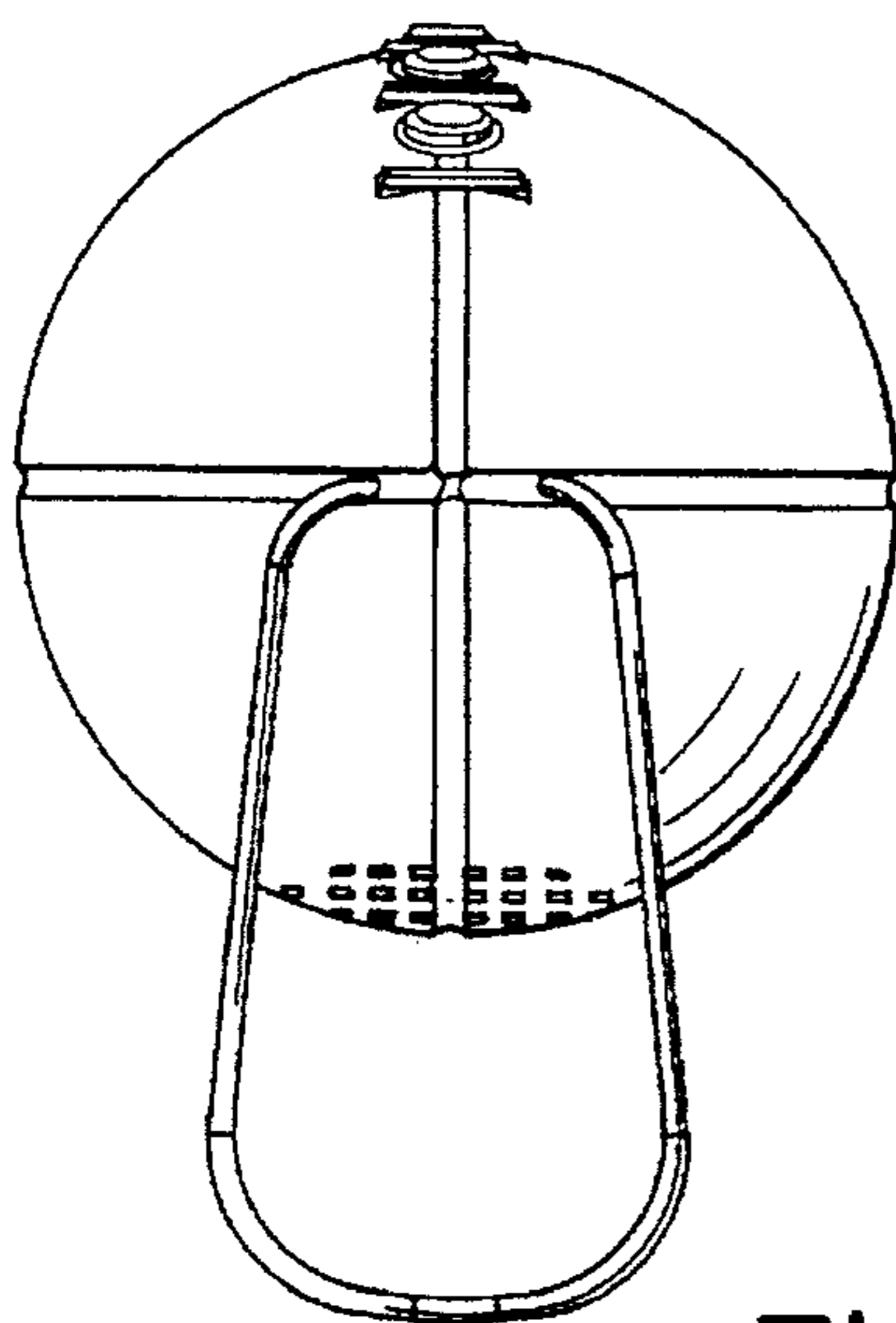


Fig. 5

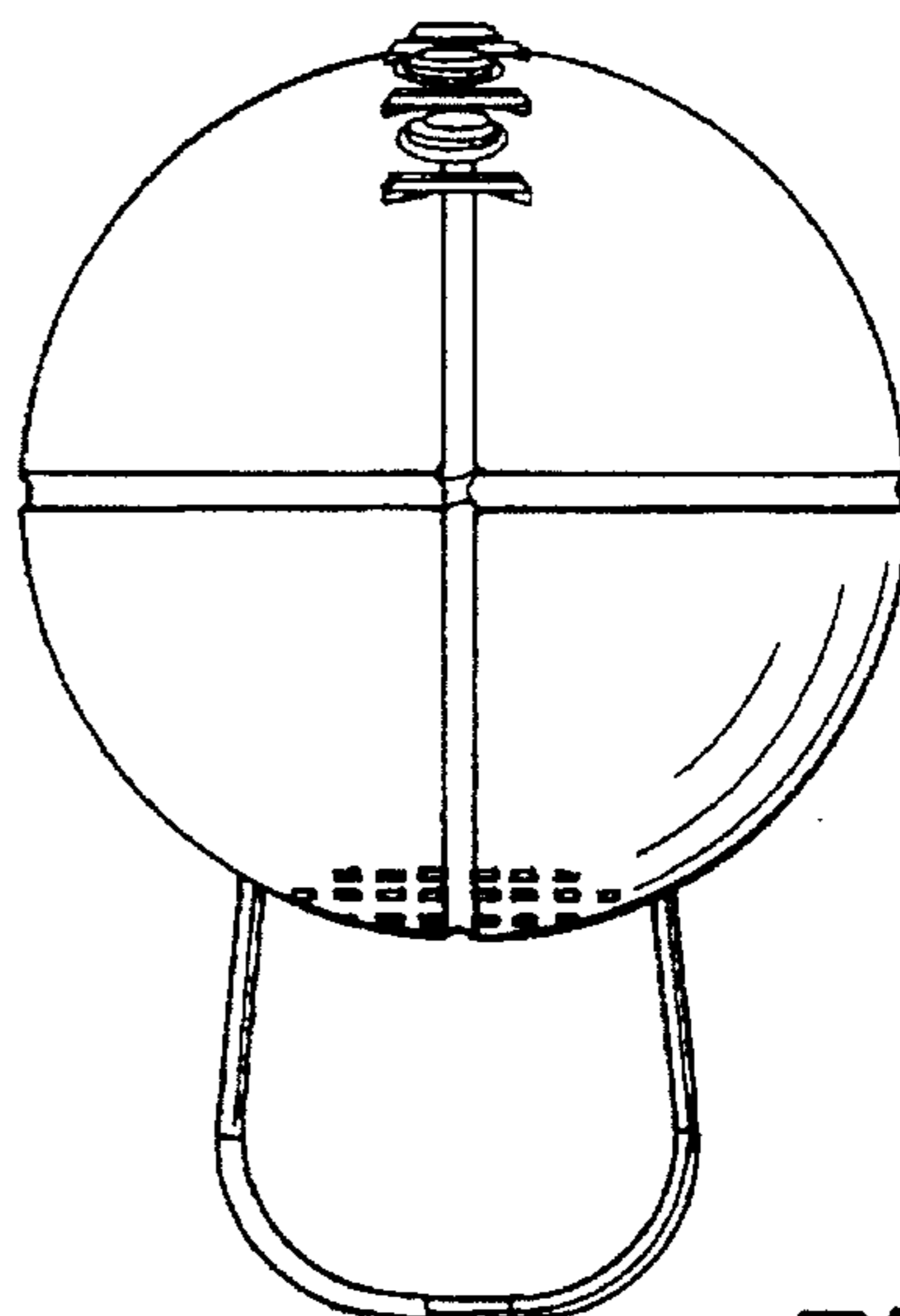


Fig. 6