



US00D382018S

**United States Patent** [19]  
**Washington**

[11] **Patent Number:** **Des. 382,018**  
[45] **Date of Patent:** **\*\*Aug. 5, 1997**

[54] **BUMPER STICKER**

[76] **Inventor:** **Mary A. Washington**, P.O. Box 70262,  
Charleston, S.C. 29415

[\*\*] **Term:** **14 Years**

[21] **Appl. No.:** **53,331**

[22] **Filed:** **Apr. 11, 1996**

[51] **LOC (6) Cl.** ..... **19-08**

[52] **U.S. Cl.** ..... **D20/11**

[58] **Field of Search** ..... D20/11, 10, 23,  
D20/29, 37, 40, 42; 40/584, 594, 299, 588,  
596, 591, 124.1

[56] **References Cited**

**U.S. PATENT DOCUMENTS**

- D. 189,713 2/1961 Brandt .
- D. 267,888 2/1983 Williams .
- D. 268,120 3/1983 Kleiner .
- D. 293,593 1/1988 Garnant et al. .... D20/31
- 2,180,261 11/1939 Stephenson et al. .... 40/591 X
- 4,736,539 4/1988 Dickinson .
- 4,756,106 7/1988 Foster .
- 5,077,925 1/1992 Herrera et al. .

**FOREIGN PATENT DOCUMENTS**

3320472 12/1984 Germany ..... D20/37

*Primary Examiner*—Susan J. Lucas  
*Assistant Examiner*—Jennifer A. Register  
*Attorney, Agent, or Firm*—Dennis H. Lambert

[57] **CLAIM**

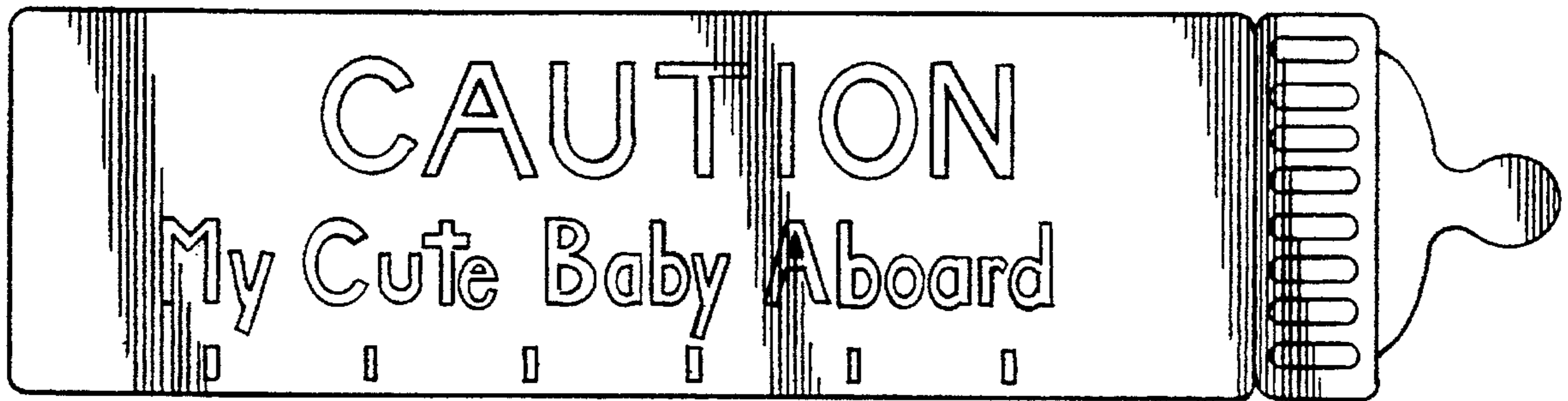
The ornamental design for a bumper sticker, as shown and described.

**DESCRIPTION**

FIG. 1 is a perspective view of the bumper sticker shown with the upper left hand corner partially peeled;  
FIG. 2 is a front elevational view thereof;  
FIG. 3 is a rear elevational view thereof;  
FIG. 4 is a side elevational view thereof, the side opposite being a mirror image of the side shown in FIG. 4.  
FIG. 5 is a right end elevational view thereof;  
FIG. 6 is a left end elevational view thereof; and,  
FIG. 7 is a perspective view of the bumper sticker shown on the bumper of a car and in the window of a car, which is shown in dashed lines.

The broken lines are shown for illustrative purposes only and form no part of the claimed design.

**1 Claim, 4 Drawing Sheets**



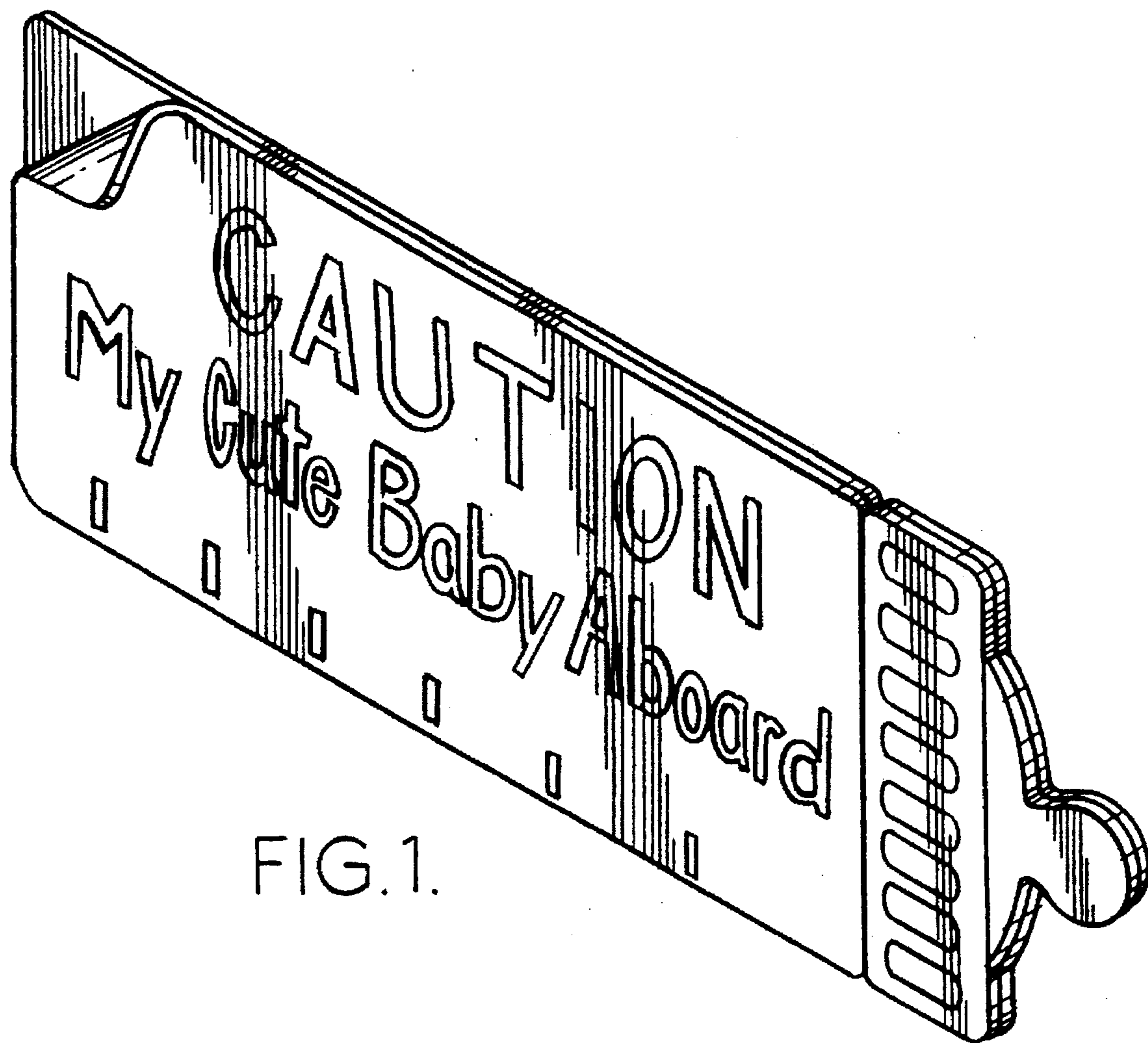


FIG. 1.

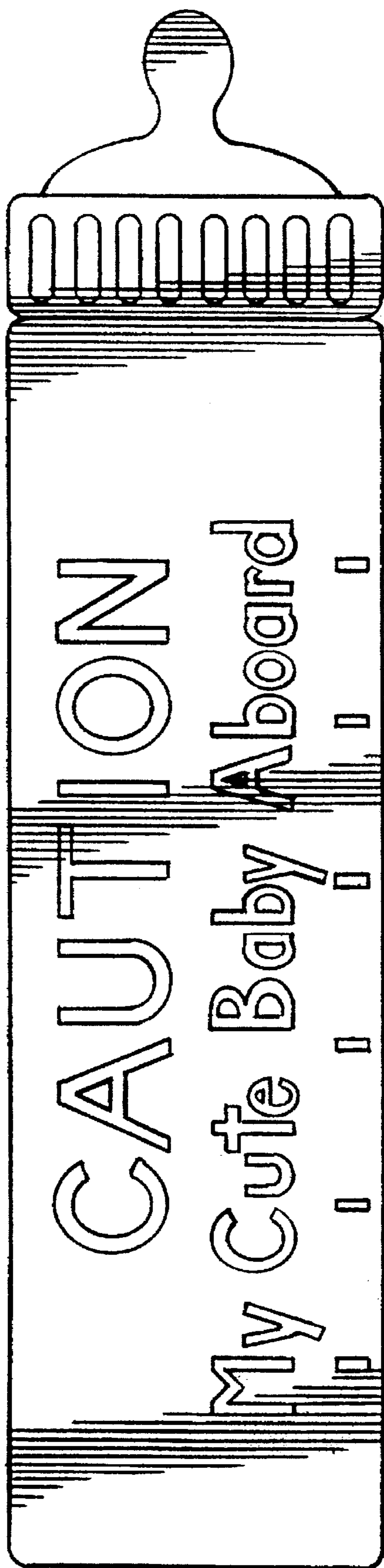


FIG. 2.



FIG. 4.

FIG. 3.

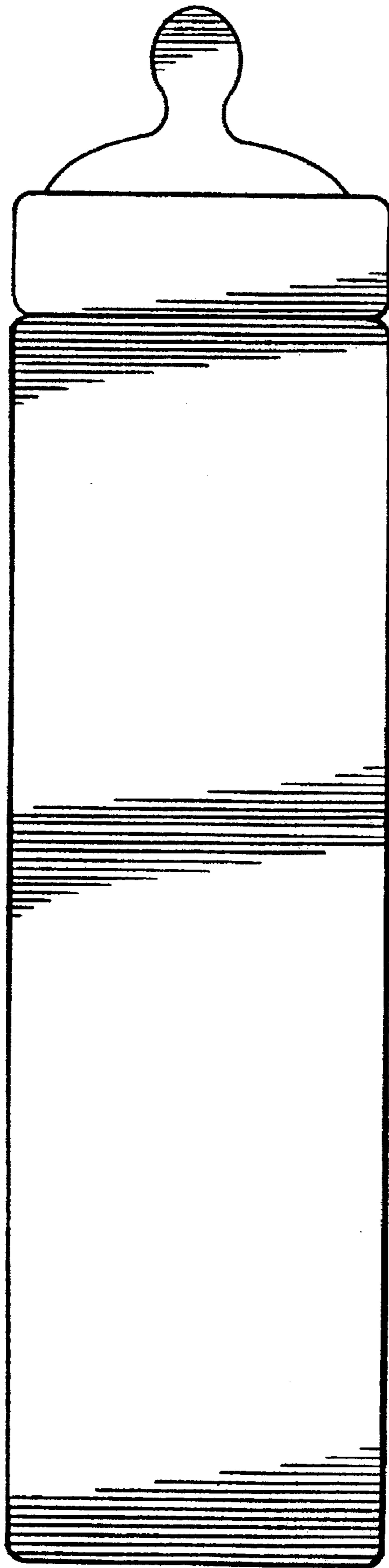


FIG. 5.



FIG. 6.

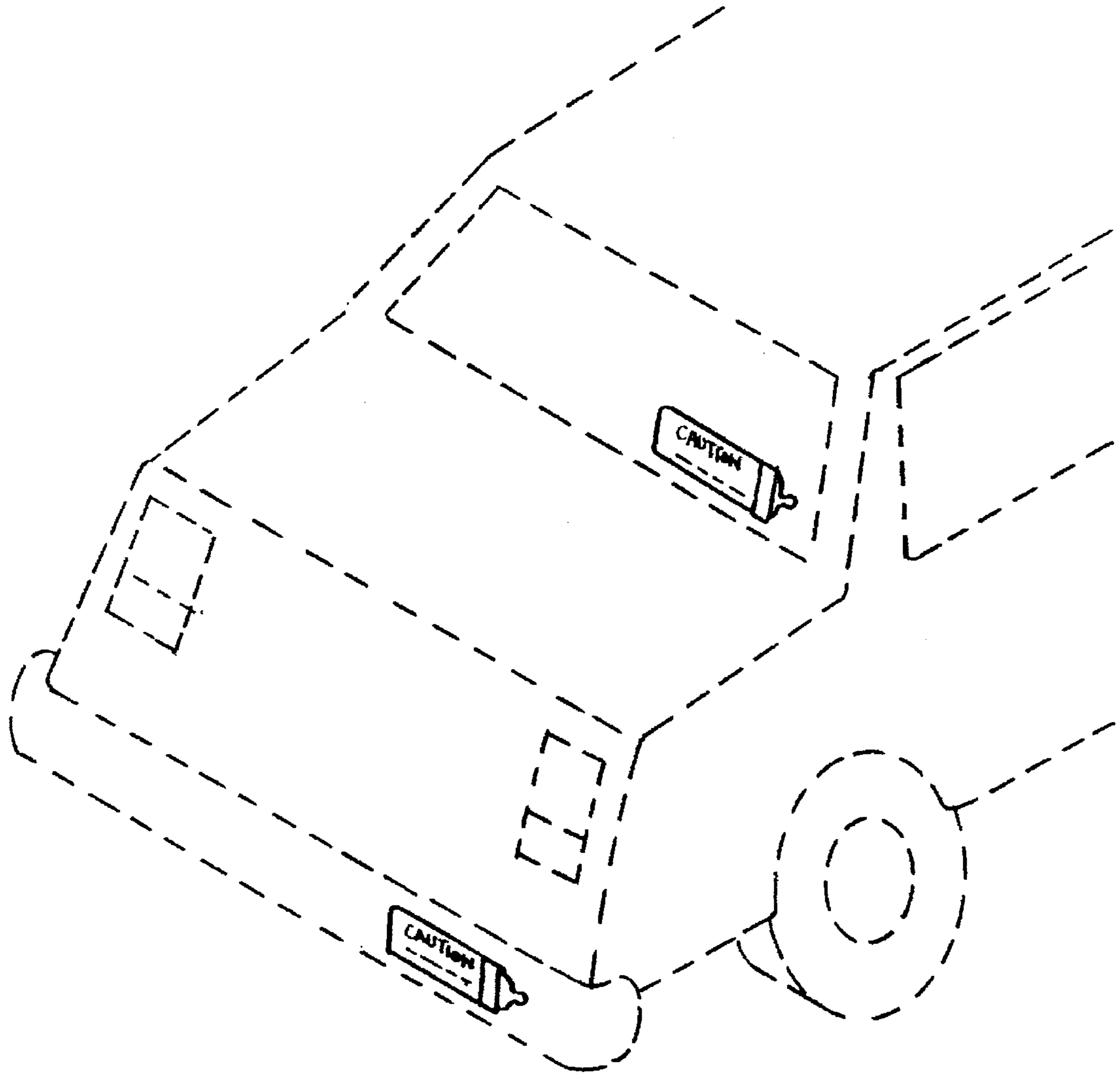


FIG. 7.