



US00D382017S

United States Patent [19]

[11] Patent Number: **Des. 382,017**

Bohr et al.

[45] Date of Patent: ****Aug. 5, 1997**

[54] COLLECTIBLE CARDS DISPLAY

[76] Inventors: **Robert J. Bohr; Lori A. Bohr**, both of
675 The Hideout, Lake Ariel, Pa. 18436

[**] Term: **14 Years**

[21] Appl. No.: **49,126**

[22] Filed: **Jan. 18, 1996**

[51] LOC (6) Cl. **20-03**

[52] U.S. Cl. **D20/10; D6/300; D20/15**

[58] Field of Search 40/120, 745, 748,
40/753, 759, 765, 725, 642; D6/310; D20/10,
12, 19, 15, 43, 59; D19/91, 95, 78

[56] References Cited

U.S. PATENT DOCUMENTS

| | | | | | |
|------------|---------|--------------|-------|--------|---|
| D. 168,117 | 11/1952 | Pace | | D20/19 | X |
| D. 269,076 | 5/1983 | Dane | | D19/82 | X |
| D. 269,685 | 7/1983 | Lansdowne | | D20/15 | |
| D. 357,705 | 4/1995 | Milojevich | | D20/15 | X |
| D. 363,312 | 10/1995 | Willems | | D19/95 | X |
| 4,467,540 | 8/1984 | Gfesser, Jr. | | 40/745 | X |
| 5,347,738 | 9/1994 | Zweig et al. | | 40/642 | |

Primary Examiner—Susan J. Lucas
Assistant Examiner—Jennifer A. Regester
Attorney, Agent, or Firm—Eckert Seamans Cherin & Mellott

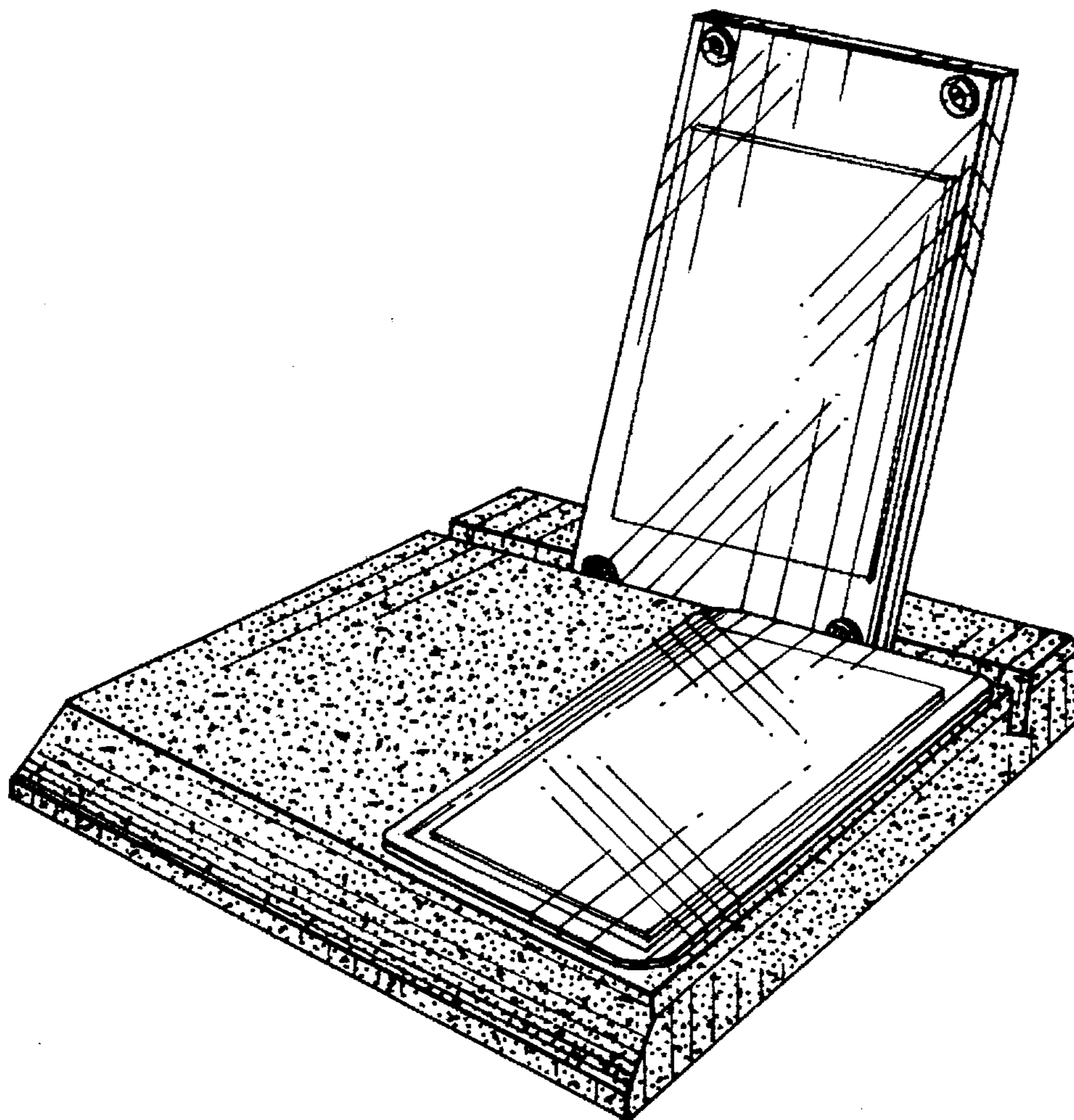
[57] CLAIM

The ornamental design for a collectible cards display, as shown and described.

DESCRIPTION

FIG. 1 is a perspective view of a collectible cards display showing our new design;
FIG. 2 is a perspective view demonstrating the releasible disposition of the rear card case;
FIG. 3 is a top plan view of FIG. 1;
FIG. 4 is a front elevational view of FIG. 1;
FIG. 5 is a rear elevational view of FIG. 1;
FIG. 6 is a right side elevational view of FIG. 1;
FIG. 7 is a left side elevational view of FIG. 1; and,
FIG. 8 is a bottom plan view of an alternate embodiment lined to depict a wooden base as opposed to FIGS. 1-7 which are stippled to depict the grain of granite. Beyond the simulative coatings of wood and granite, the various views as shown in FIGS. 1-8 are inclusive of both embodiments.

1 Claim, 3 Drawing Sheets



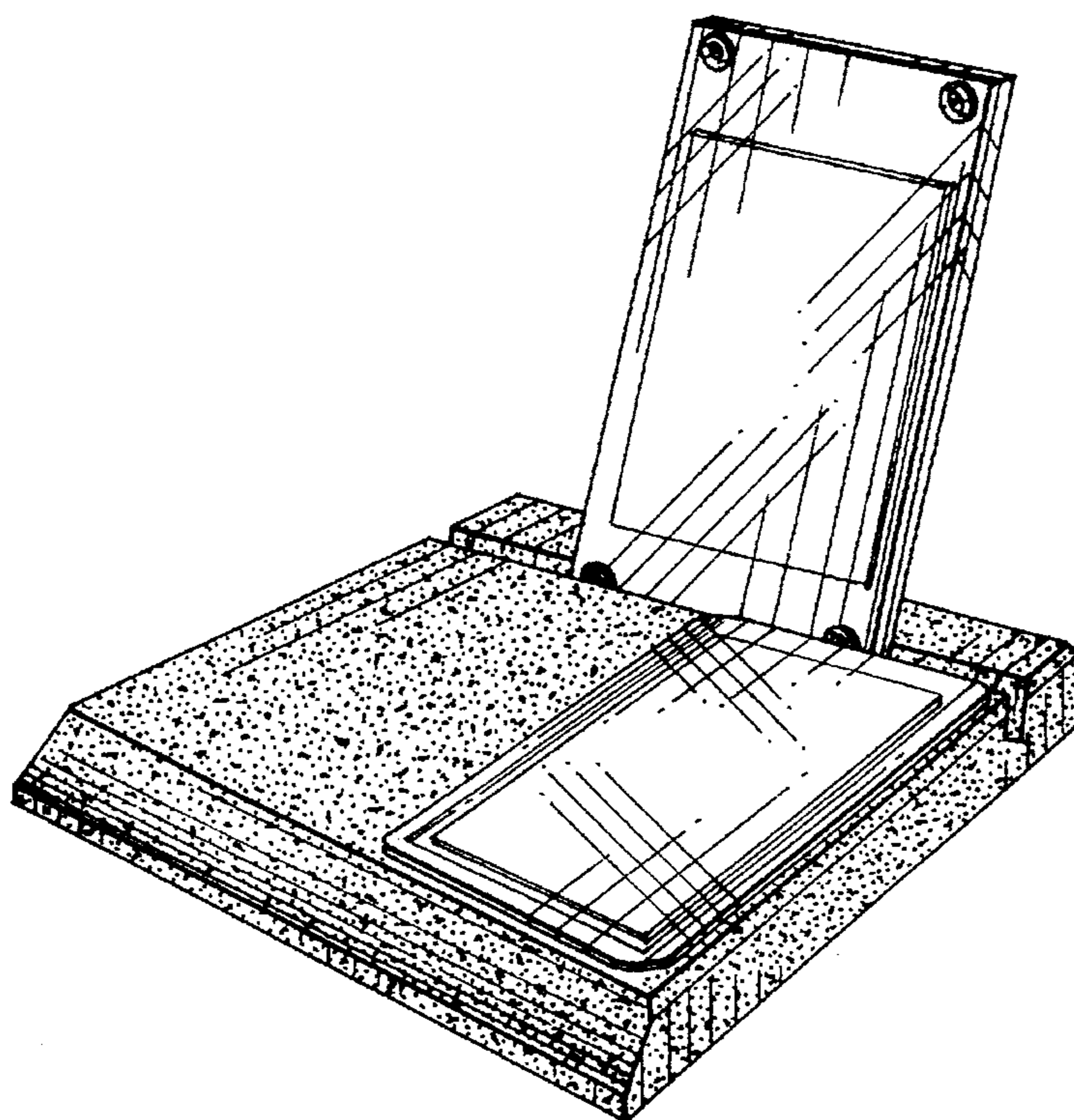


Fig. 1.

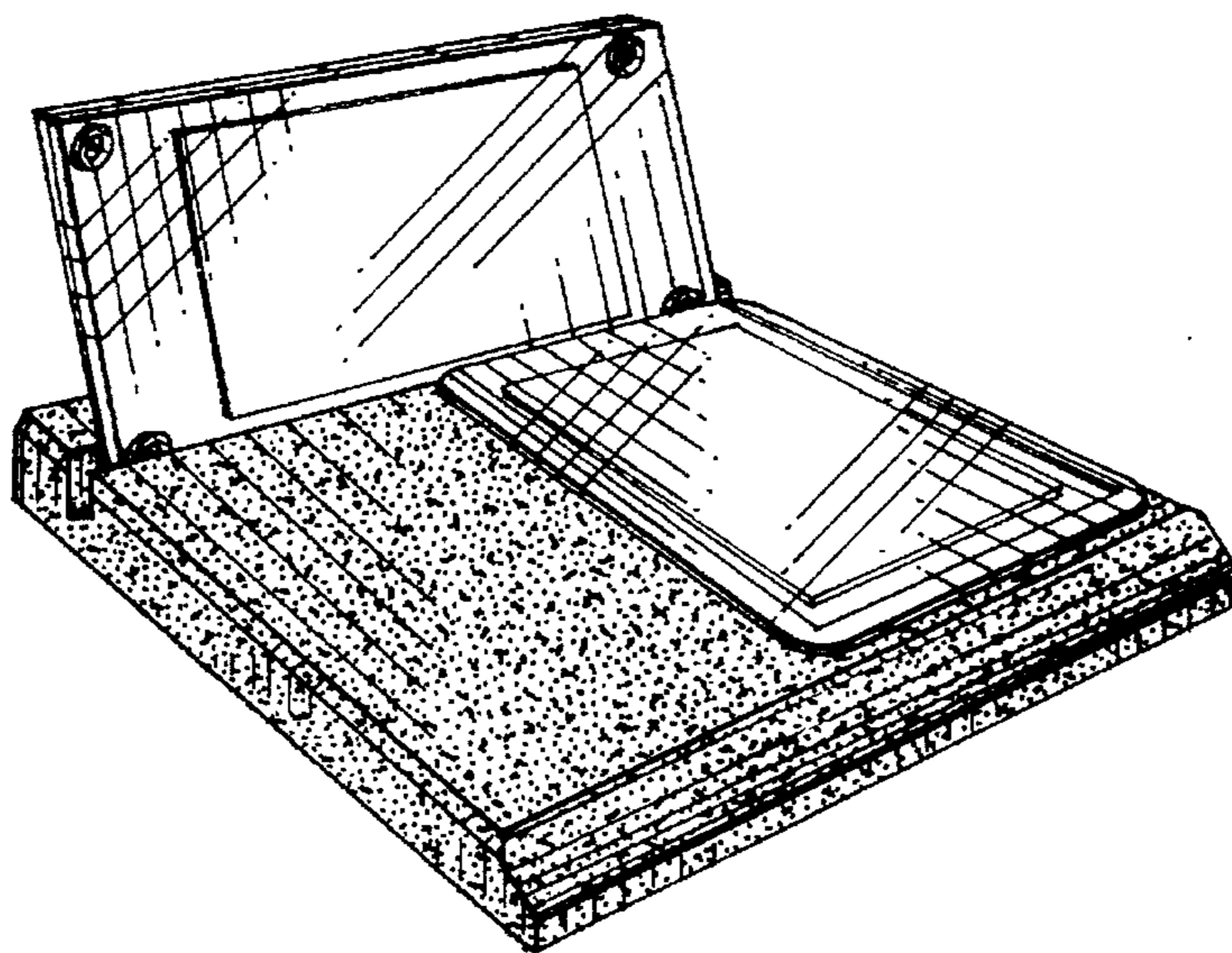


Fig. 2.

Fig. 3.

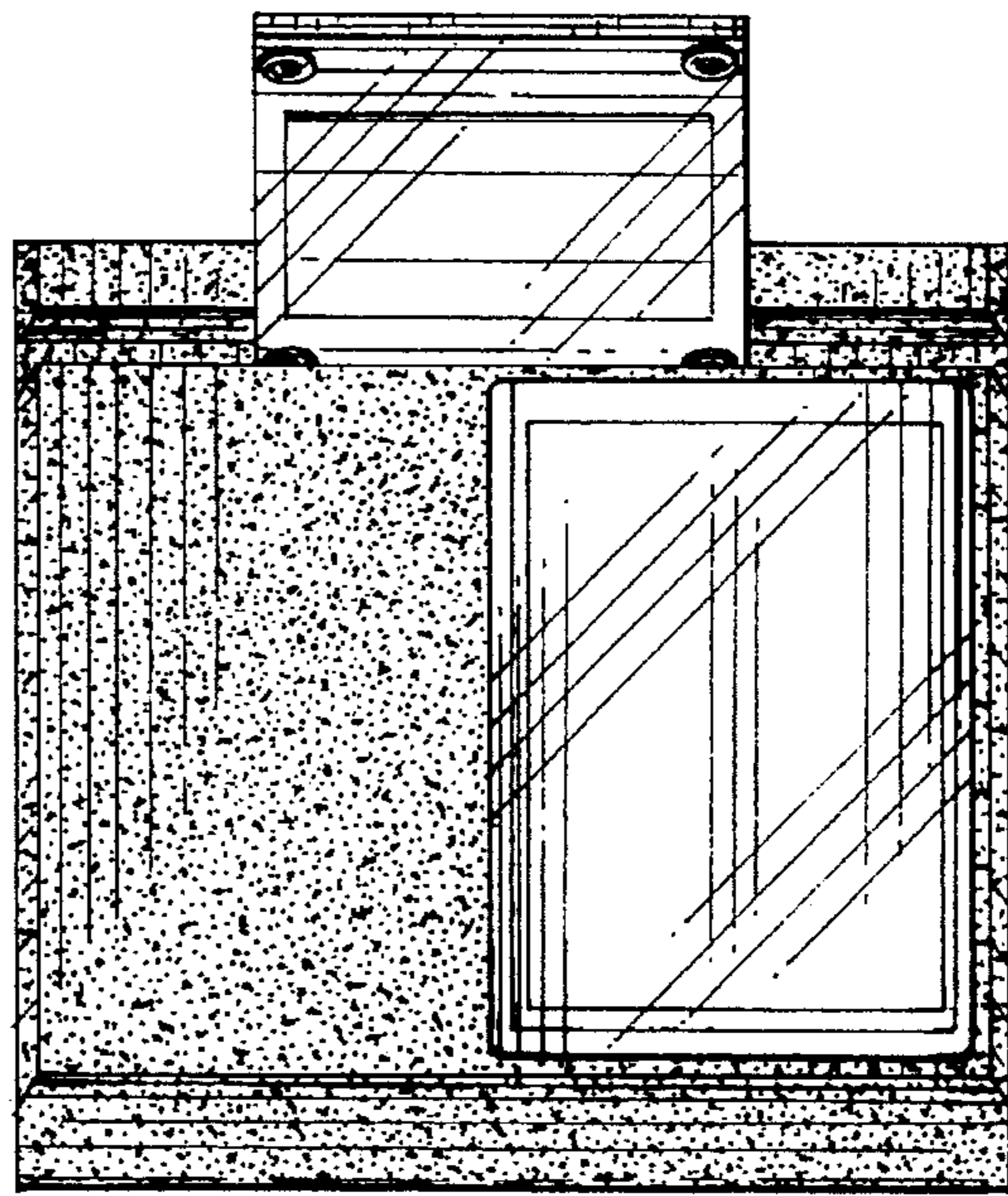


Fig. 4.

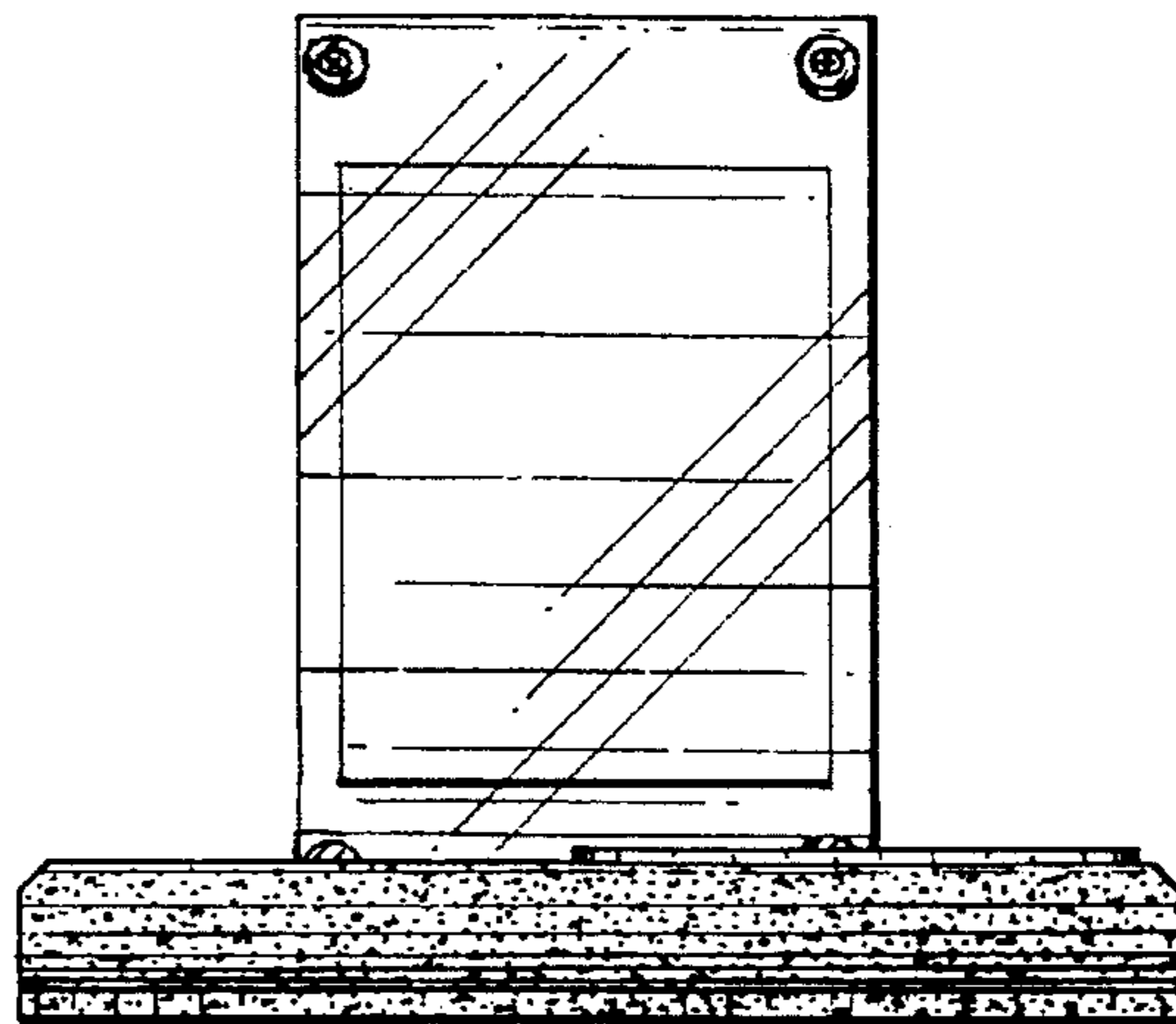


Fig. 5.

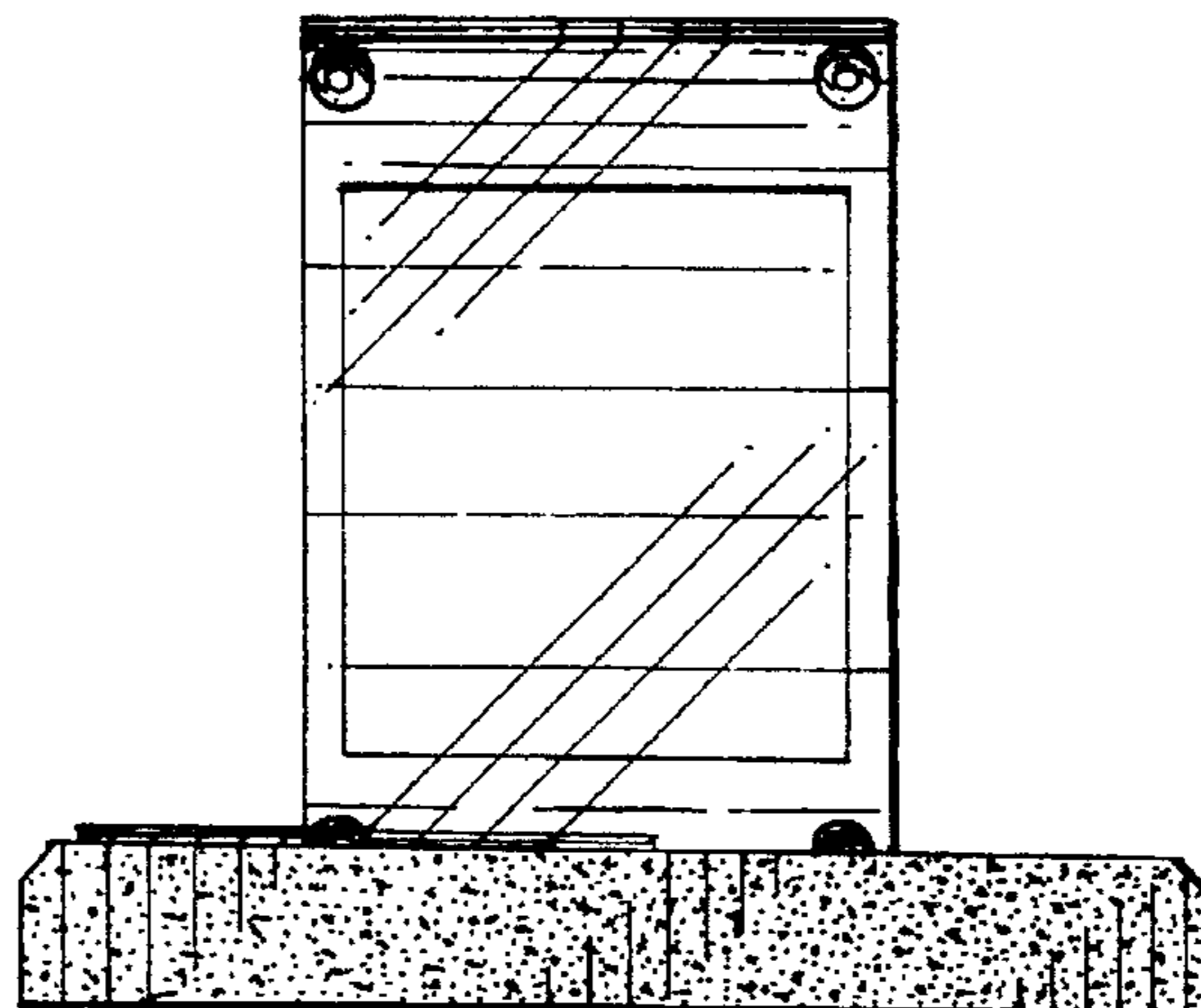


Fig. 6.

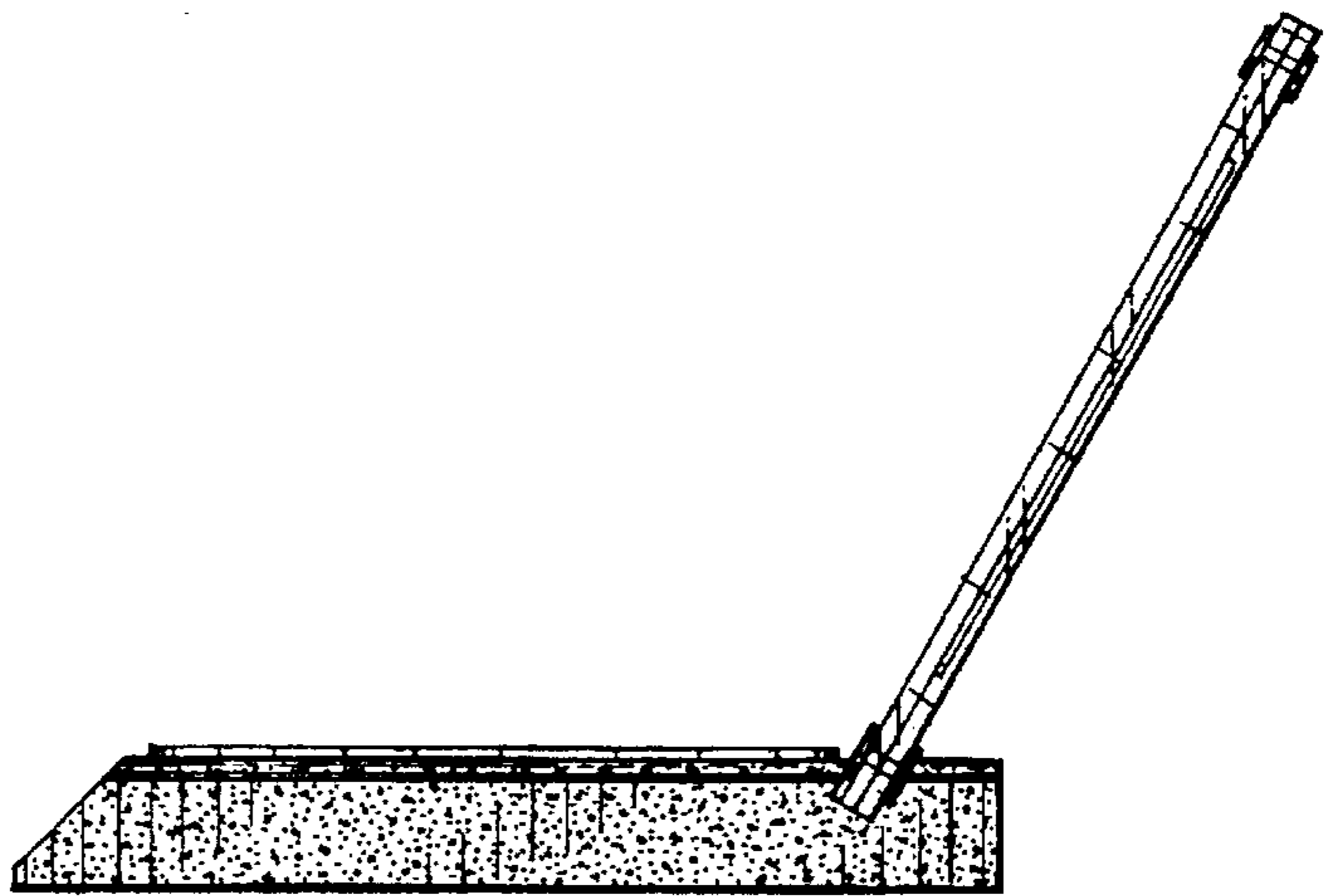


Fig. 7.

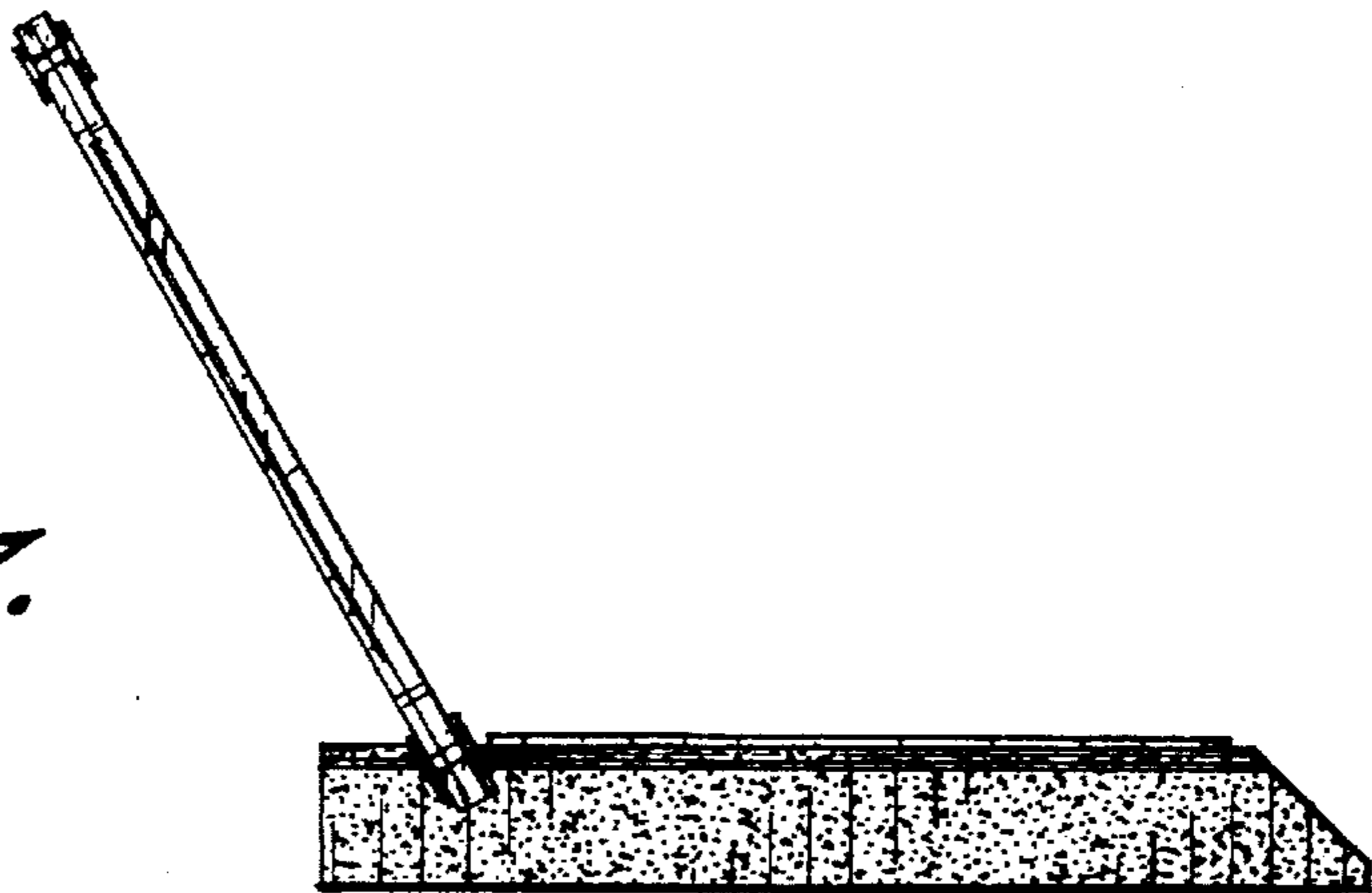


Fig. 8.

