



US00D382015S

United States Patent [19]

Nobata

[11] Patent Number: Des. 382,015

[45] Date of Patent: **Aug. 5, 1997

[54] **PICTURE PAUSING MACHINE FOR VIDEO PRINTER**

[75] Inventor: **Fujio Nobata**, Tokyo, Japan
[73] Assignee: **Sega Enterprises, Ltd.**, Japan
[**] Term: **14 Years**

[21] Appl. No.: **46,415**
[22] Filed: **Nov. 14, 1995**

[30] **Foreign Application Priority Data**

May 16, 1995 [JP] Japan 7-13582

[51] **LOC (6) Cl.** **18-02**
[52] **U.S. Cl.** **D18/56**
[58] **Field of Search** D18/56, 50, 54-55,
D18/36-39; D16/221, 223; D3/217; D14/118;
D21/48

[56] **References Cited**

U.S. PATENT DOCUMENTS

D. 318,066	7/1991	Moro	D18/54
D. 322,275	12/1991	Takeda et al.	D18/50
D. 323,346	1/1992	Yoshitani et al.	D18/55
D. 323,847	2/1992	Yoshitani et al.	D18/36
D. 335,310	5/1993	Kurnow et al.	D16/221
D. 350,373	9/1994	Chow et al.	D21/48
D. 350,555	9/1994	Field et al.	D16/221
D. 369,352	4/1996	Iwakami	D21/48
D. 370,501	6/1996	Ravio et al.	D21/48

OTHER PUBLICATIONS

Lillian Vernon Catalog; p. 57; Grand Prix Racer.
Photographic; Nov. 1994; p. 132; CUP-M3 Portable Color
Video Printer.

Popular Science; Nov. 1987; p. 56; Hitachi Color Video
Printer.
Video; Dec. 1987; p. 69; Luma's Video telephone & printer.
Computers & Electronics; Jul. 1984; p. 26; Mitsubishi Video
Printer.
Washington Post Newspaper; Apr. 16, 1993; Panasonic
Color Video Printer.
Seikosha VP-3500 Video Printer.
Sony Color Video Printer brochure; Jun. 1993; FDL-X40
Unit; back pg.
Sony Color Video Printer brochure; Jun. 1993; cover photo.
ICON Review Catalog; Thunderscan.
Video Magazine; Dec. 1987; p. 69; Luma video telephone
printer.

Primary Examiner—Cathy Anne MacCormac
Attorney, Agent, or Firm—Ladas & Parry

[57] **CLAIM**

The ornamental design for a picture pausing machine for
video printer, as shown and described.

DESCRIPTION

FIG. 1 is a perspective view of a picture pausing machine for
video printer showing my new design;
FIG. 2 is a front view thereof;
FIG. 3 is a rear view thereof;
FIG. 4 is a top view thereof;
FIG. 5 is a bottom view thereof;
FIG. 6 is a right side view thereof; and,
FIG. 7 is a left side view thereof.

1 Claim, 3 Drawing Sheets

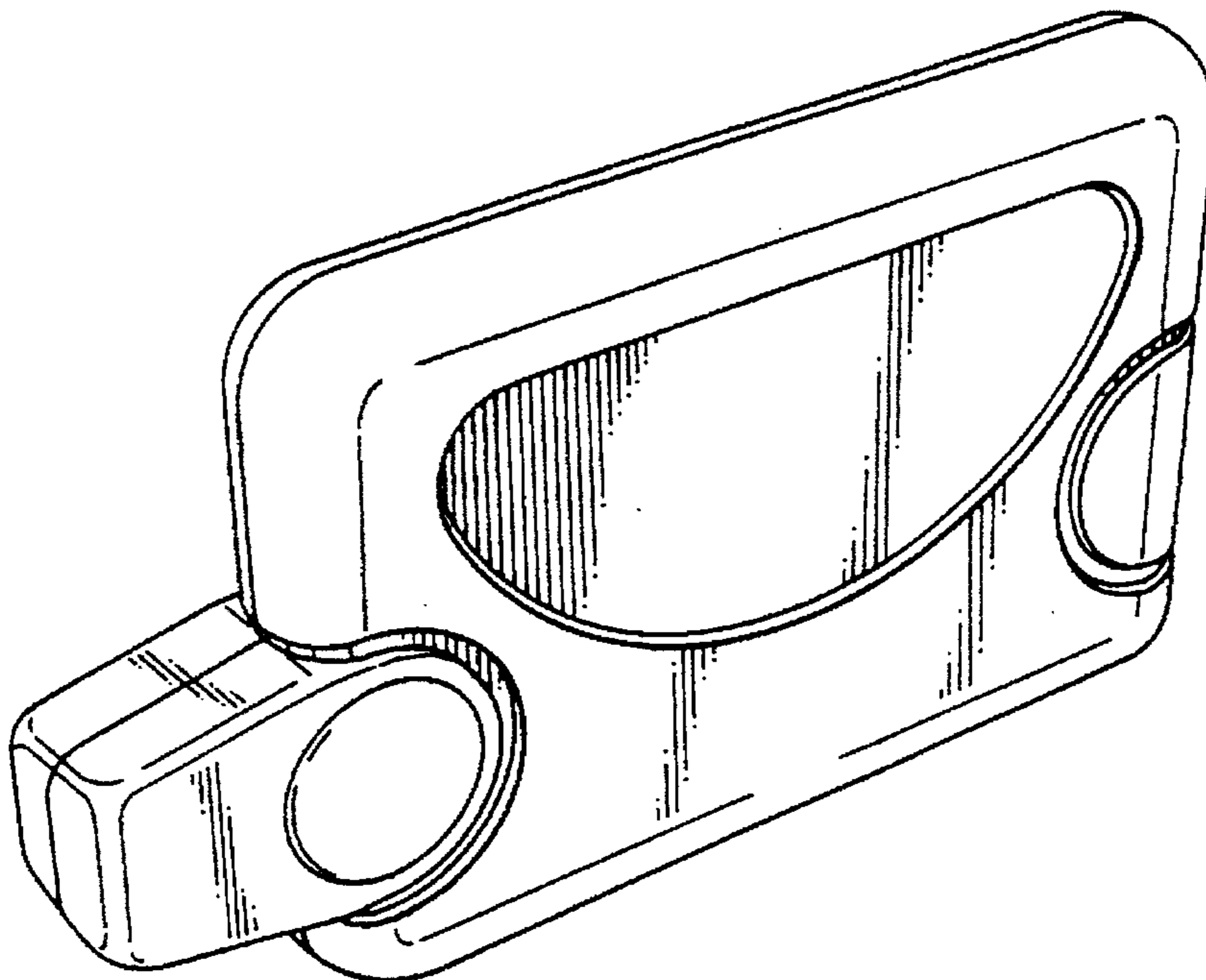


FIG. 1

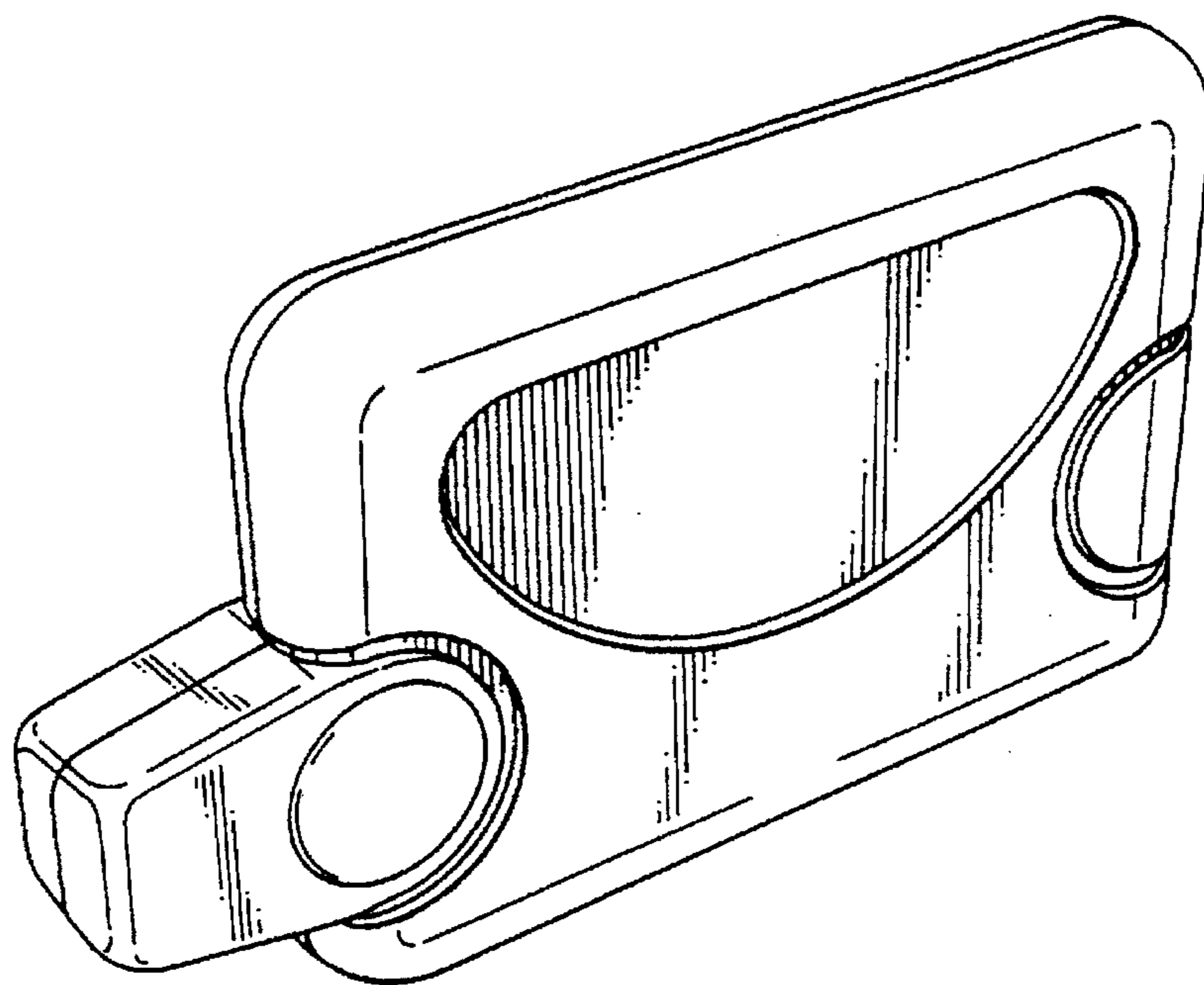


FIG. 2

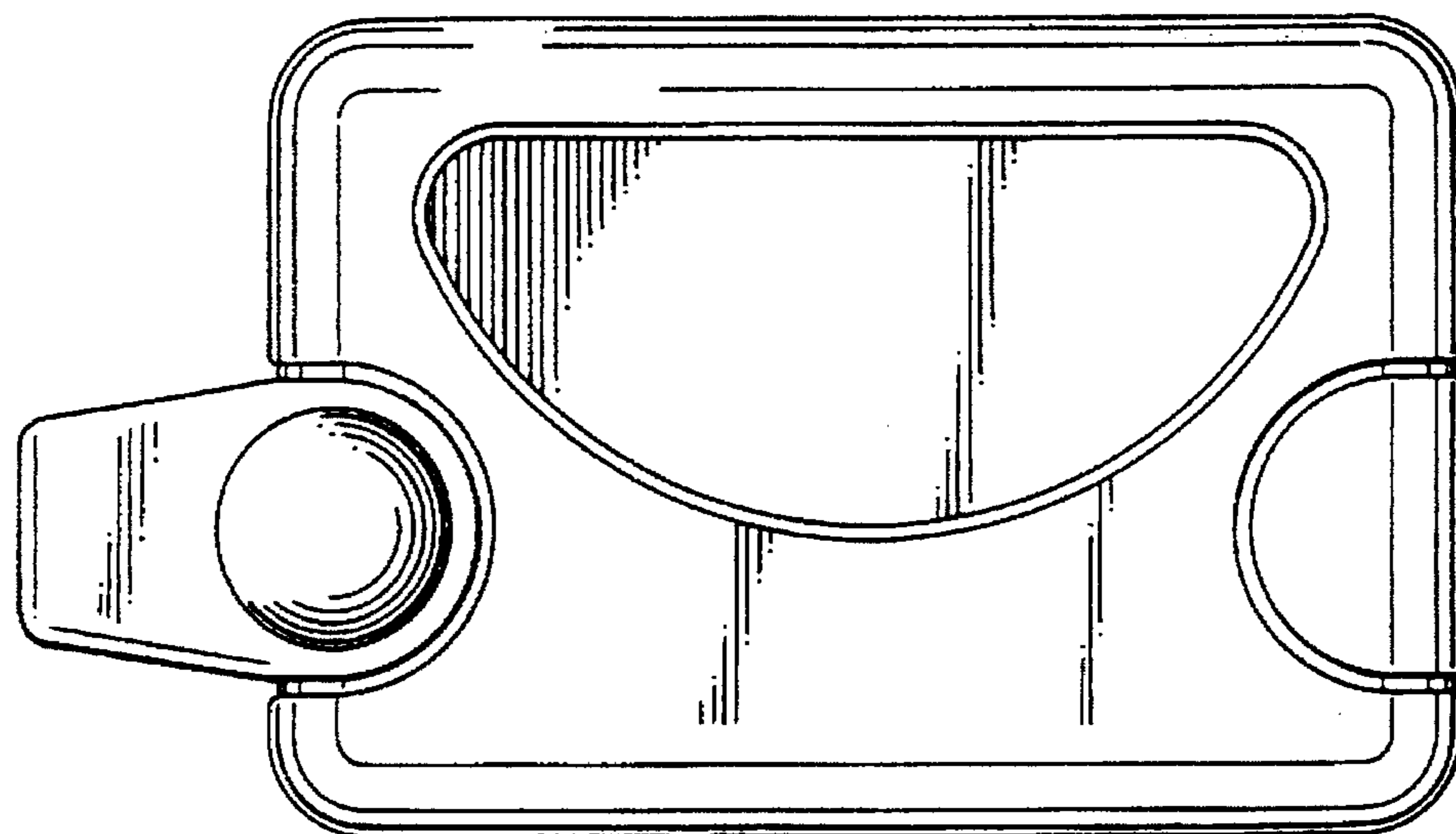


FIG. 3

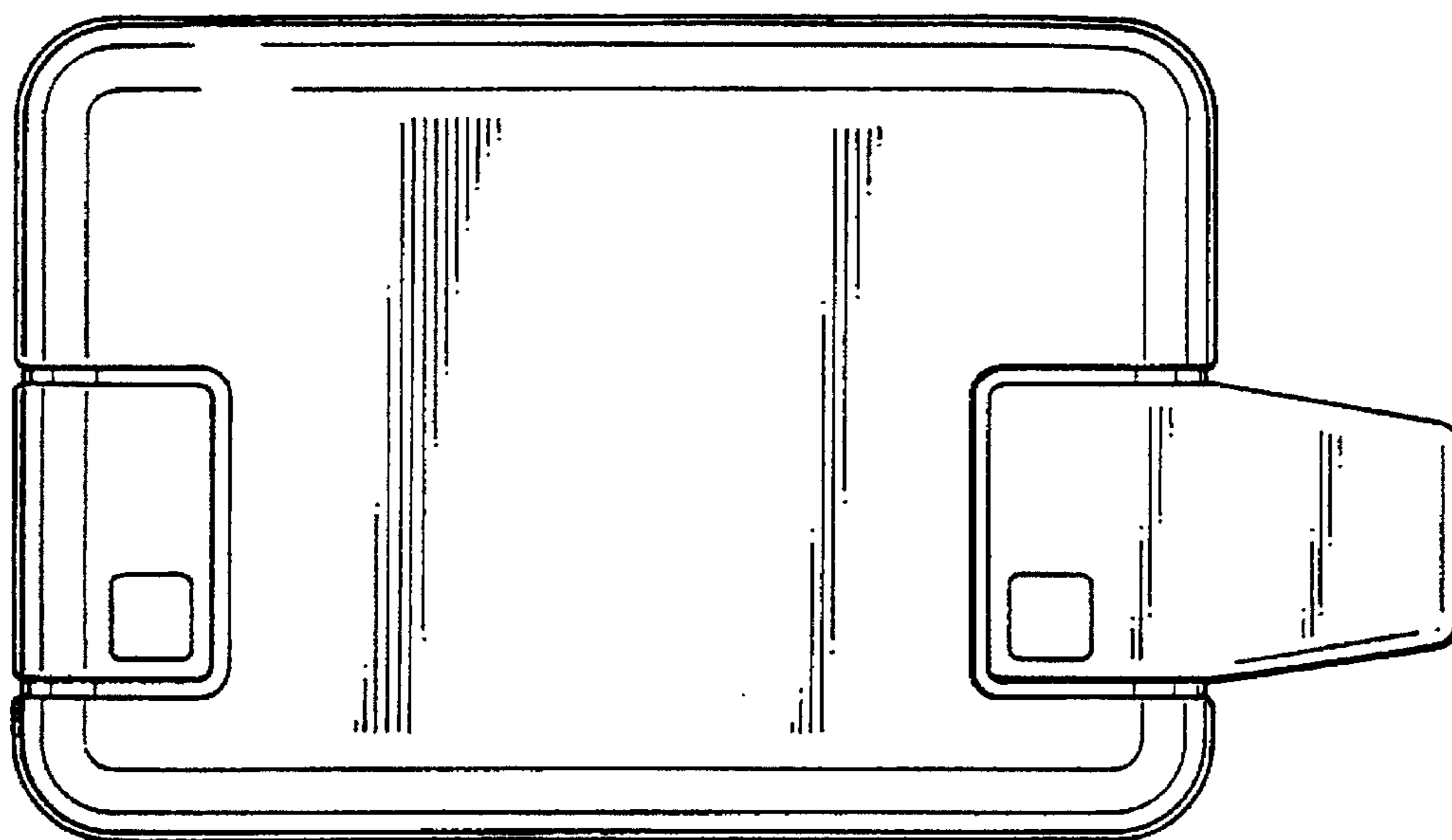


FIG. 4

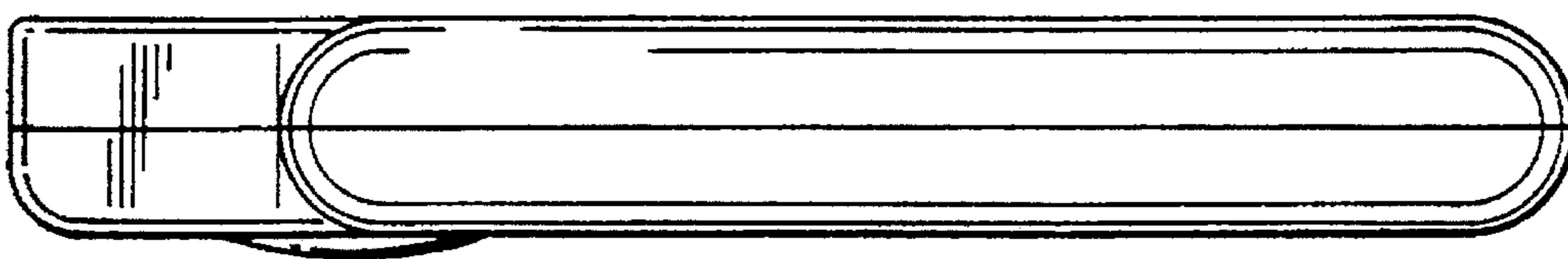


FIG. 5

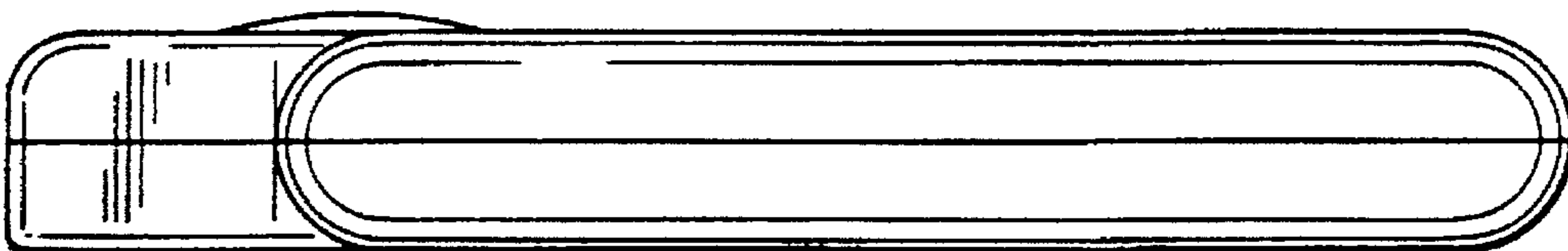


FIG. 6

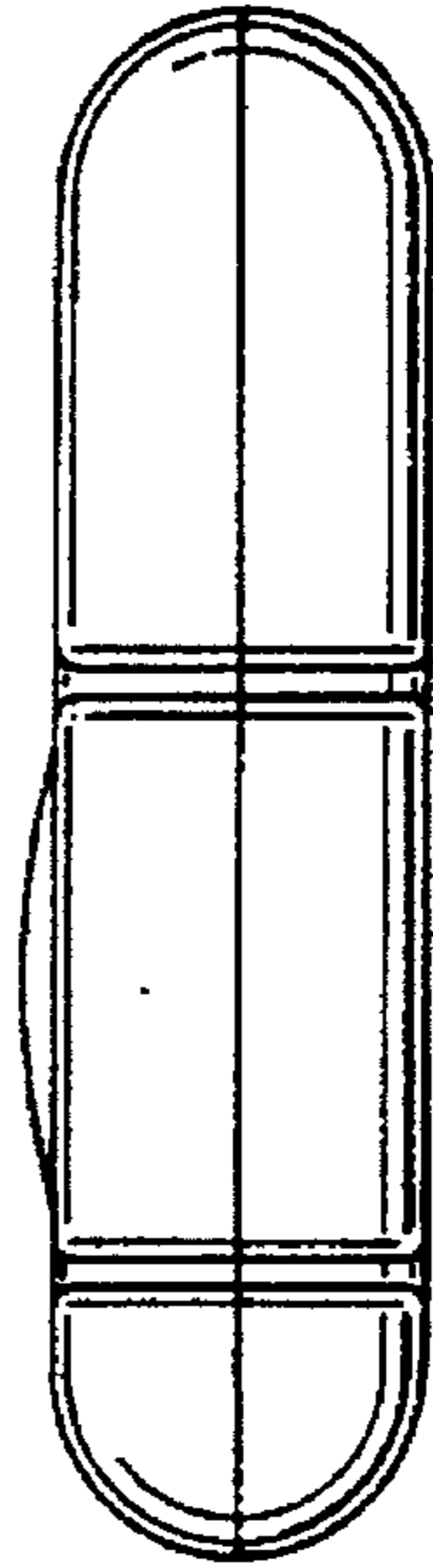


FIG. 7

