



US00D382014S

# United States Patent [19]

[11] Patent Number: **Des. 382,014**

Tashiro et al.

[45] Date of Patent: **\*\*Aug. 5, 1997**

## [54] INK CARTRIDGE HOLDER FOR PRINTER

## FOREIGN PATENT DOCUMENTS

[75] Inventors: **Naoki Tashiro**, Kawasaki; **Akihiro Yamanaka**, Yokohama; **Keiichiro Tsukuda**, Kawasaki, all of Japan

583154	2/1994	European Pat. Off.	347/87
639461	2/1995	European Pat. Off.	347/86
1141560	6/1986	Japan	347/87
2261451	11/1987	Japan	347/86
2187349	7/1990	Japan	347/87
3101945	4/1991	Japan	347/87
3234653	10/1991	Japan	347/86
4247960	9/1992	Japan	347/87
4347653	12/1992	Japan	347/86
5162329	6/1993	Japan	347/86
5278227	10/1993	Japan	347/86
2241201	8/1991	United Kingdom	347/86

[73] Assignee: **Canon Kabushiki Kaisha**, Tokyo, Japan

[\*\*] Term: **14 Years**

[21] Appl. No.: **42,278**

[22] Filed: **Aug. 4, 1995**

### [30] Foreign Application Priority Data

Feb. 6, 1995 [JP] Japan ..... 7-2761

[51] LOC (6) Cl. .... **18-02**

[52] U.S. Cl. .... **D18/56**

[58] Field of Search ..... D18/12, 40, 43,  
D18/56; 347/86-87; 101/348

### [56] References Cited

#### U.S. PATENT DOCUMENTS

D. 357,274	4/1995	Sato	D18/12
5,182,581	1/1993	Kashimura et al.	347/87
5,314,257	5/1994	Cheng	D18/56
5,406,885	4/1995	Privin	101/348
5,408,256	4/1995	Kein et al.	347/87
5,459,981	10/1995	Masuda et al.	347/87
5,506,611	4/1996	Ujita et al.	347/86
5,515,091	5/1996	Kimura et al.	347/86

Primary Examiner—Cathy Anne MacCormac  
Attorney, Agent, or Firm—Fitzpatrick, Cella, Harper & Scinto

### [57] CLAIM

The ornamental design for an ink cartridge holder for printer, as shown and described.

### DESCRIPTION

FIG. 1 is a front elevational view of an ink cartridge holder for printer showing our new design; FIG. 2 is a rear elevational view thereof; FIG. 3 is a top plan view thereof; FIG. 4 is a bottom plan view thereof; FIG. 5 is a left side elevational view thereof; FIG. 6 is a right side elevational view thereof; and, FIG. 7 is a perspective view thereof.

**1 Claim, 2 Drawing Sheets**

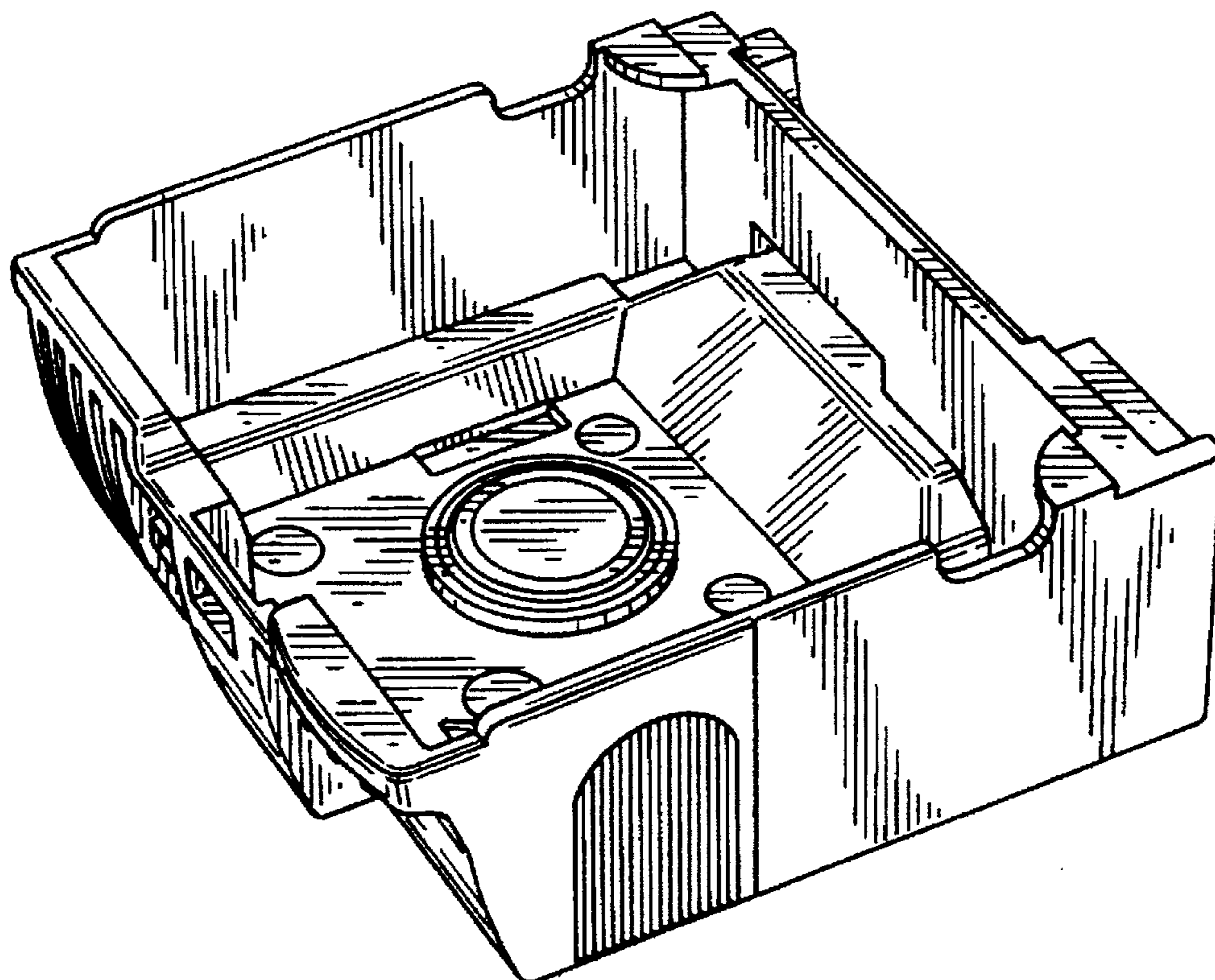


FIG. 1

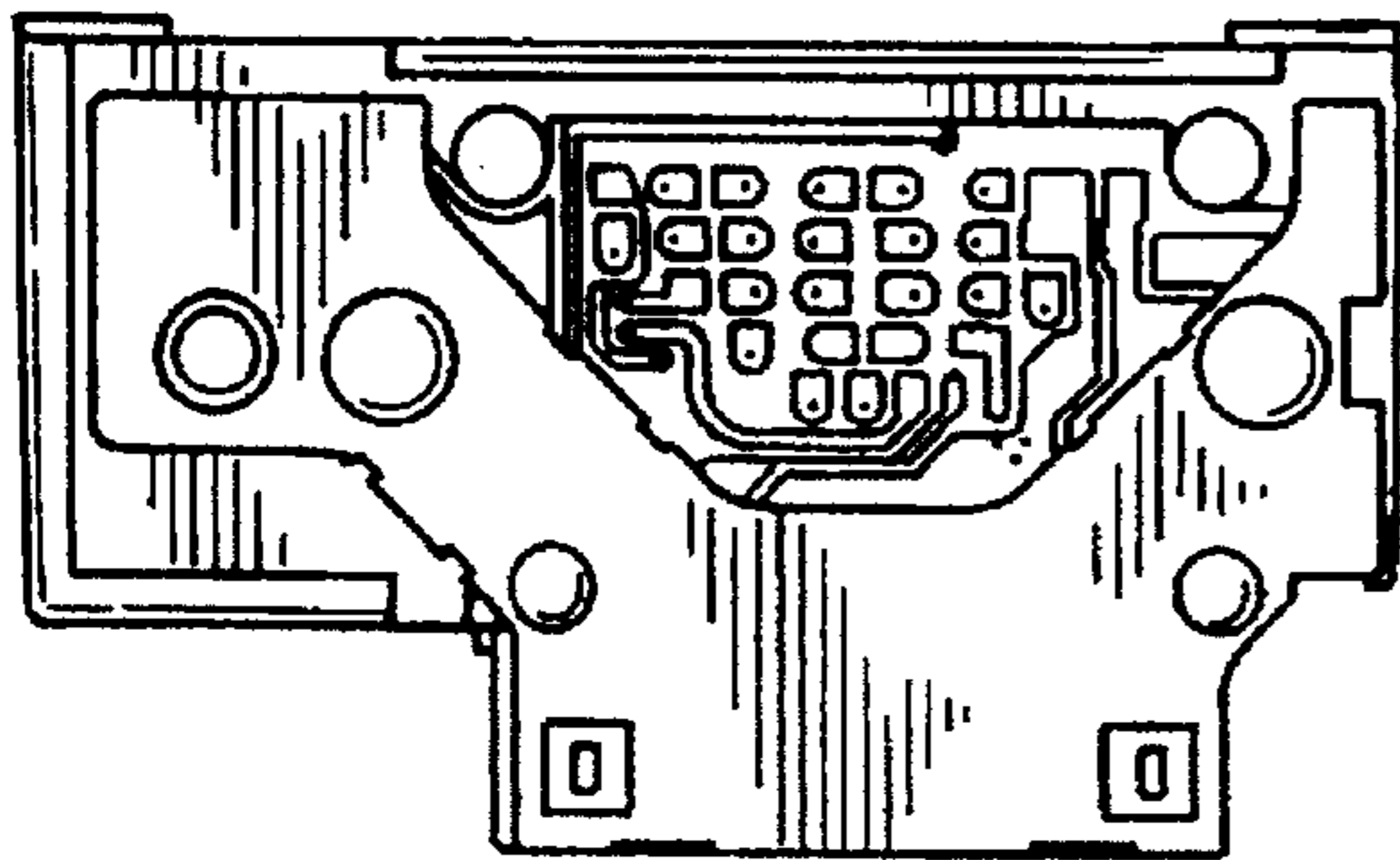


FIG. 2

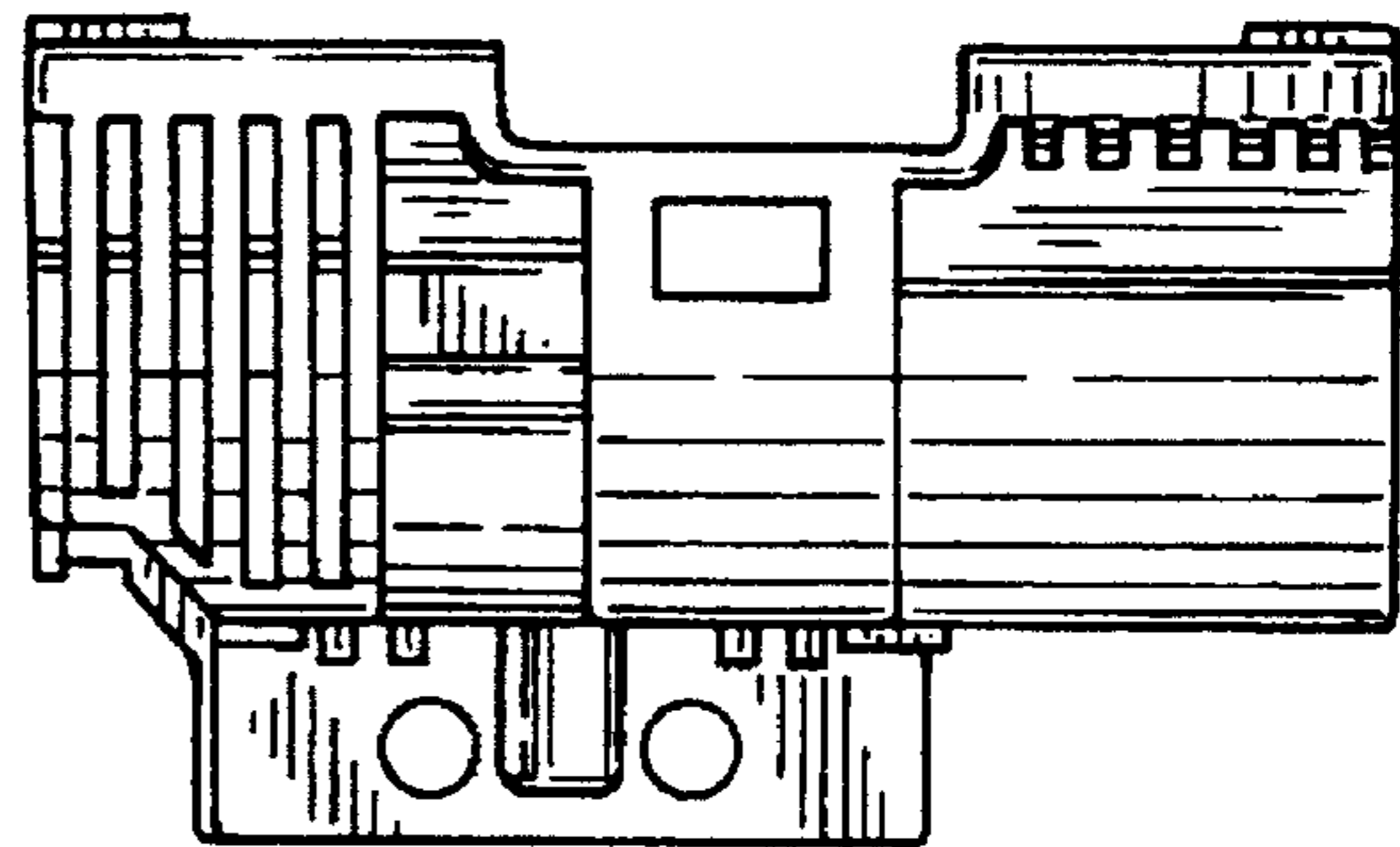


FIG. 3

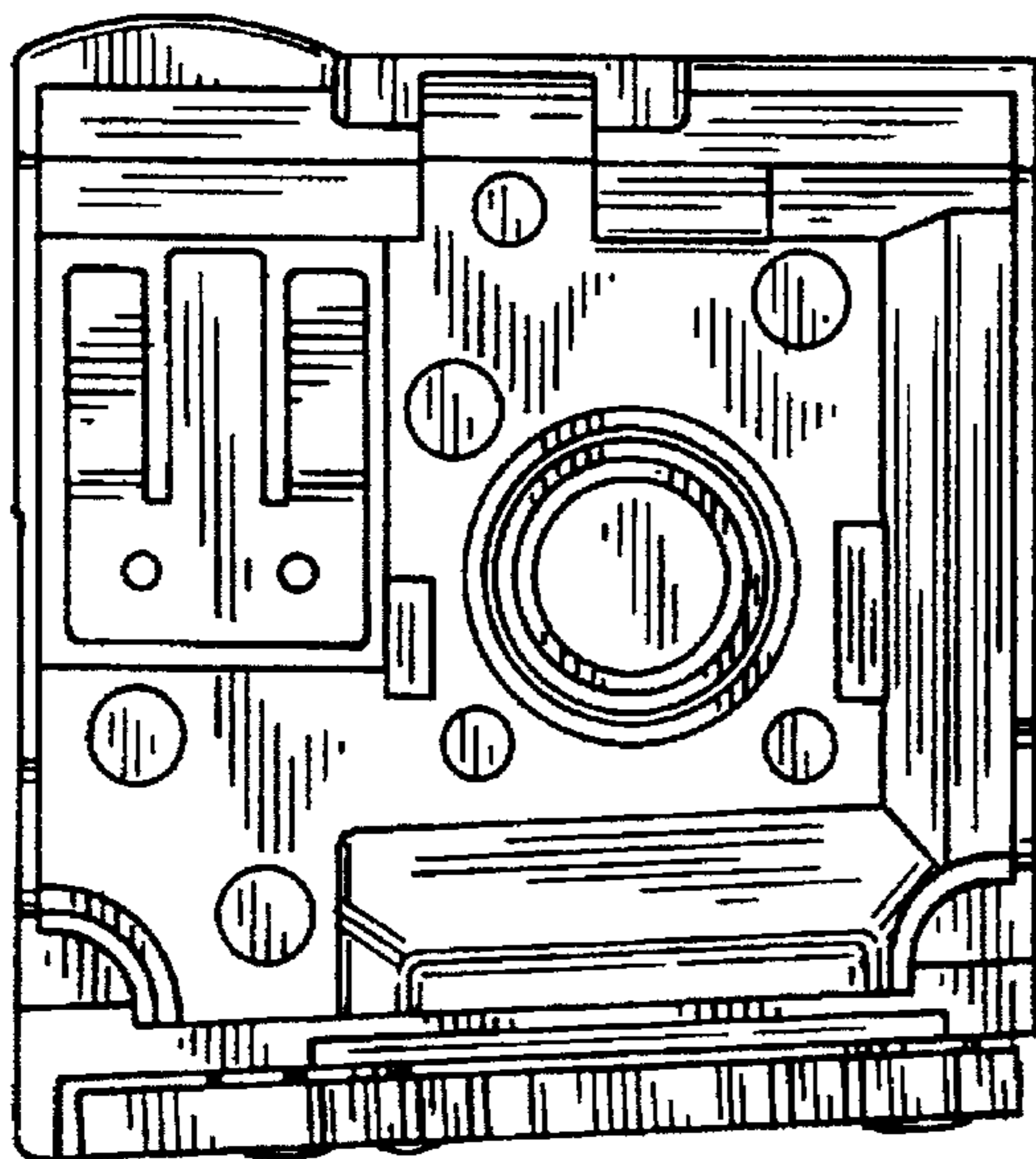
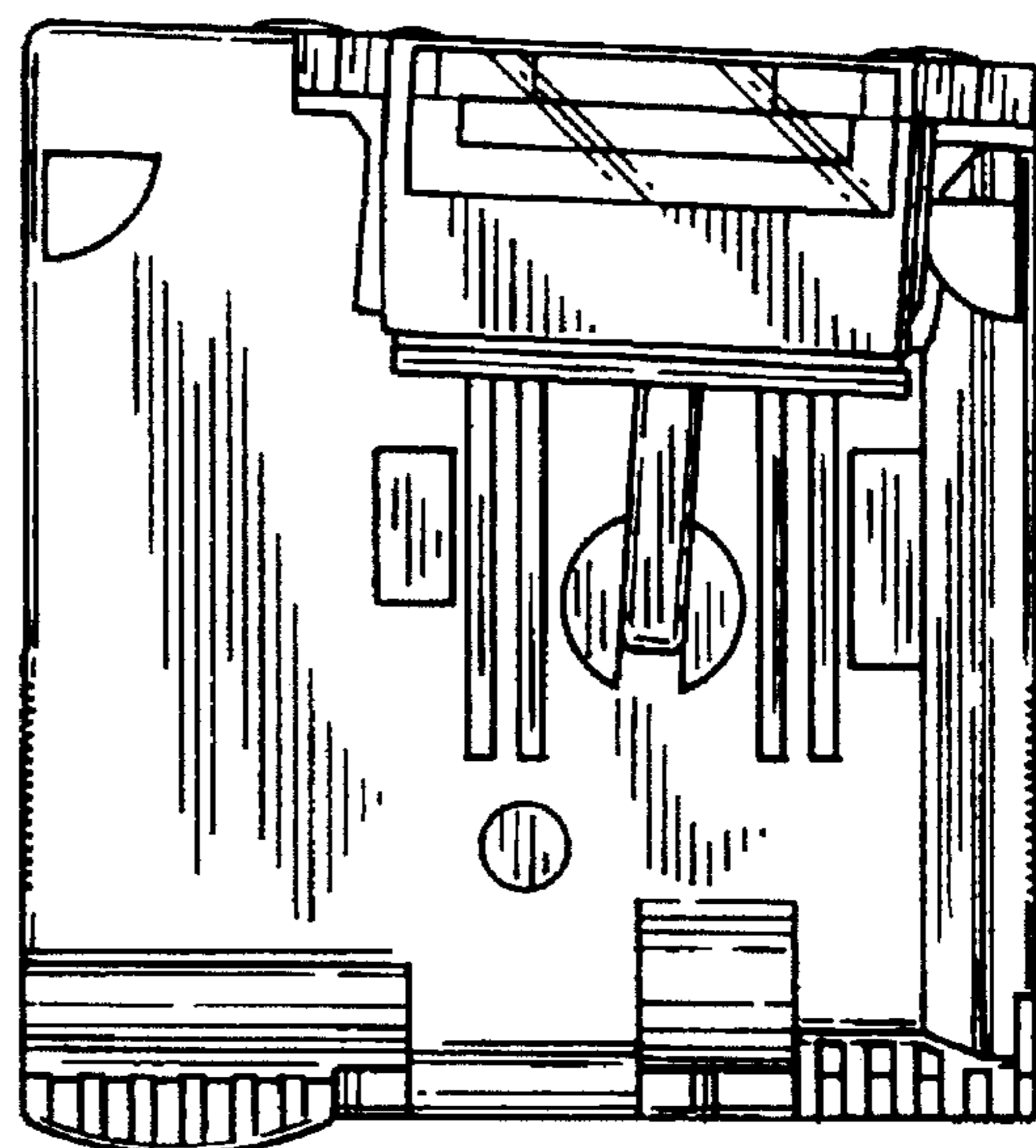
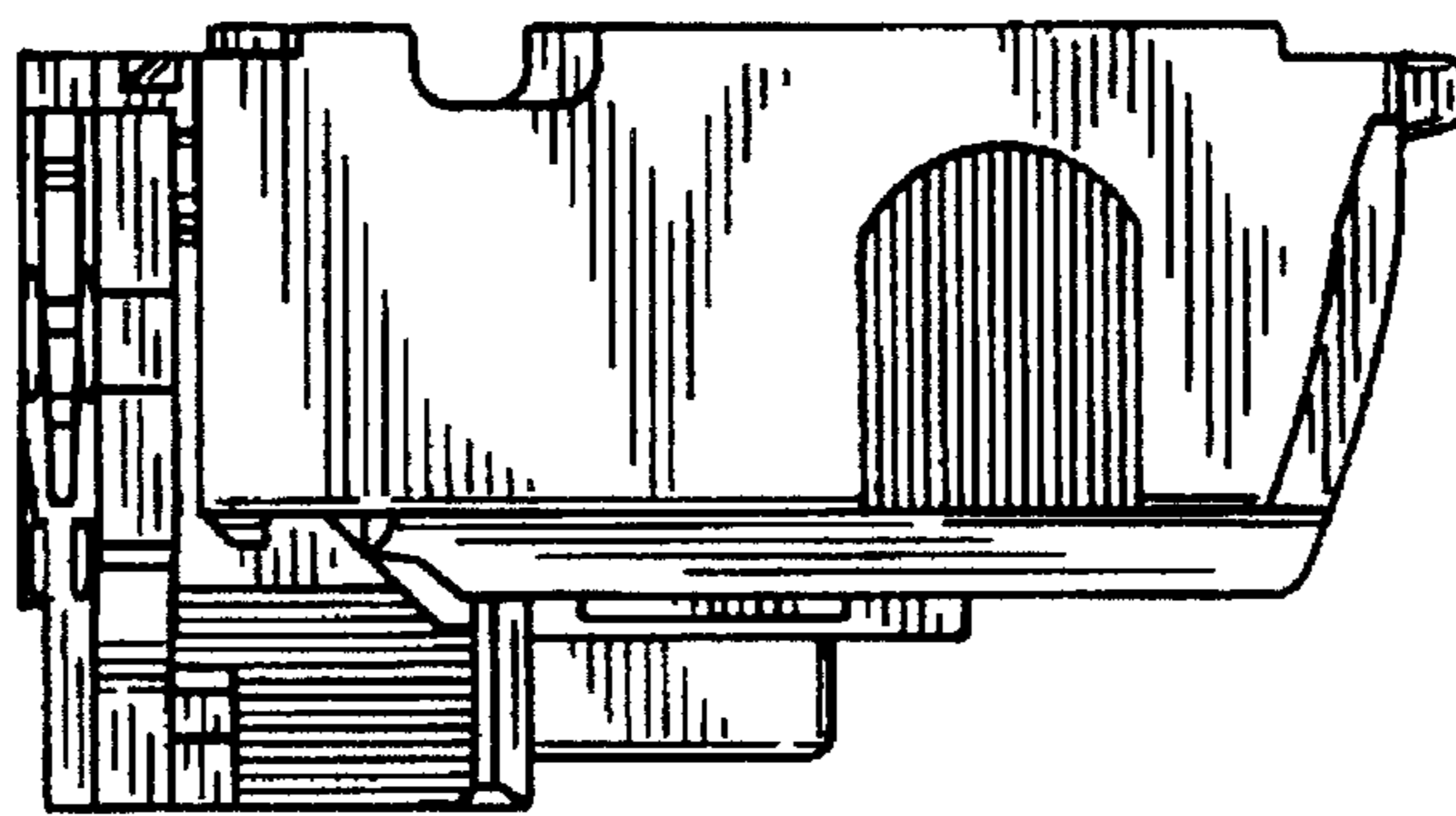


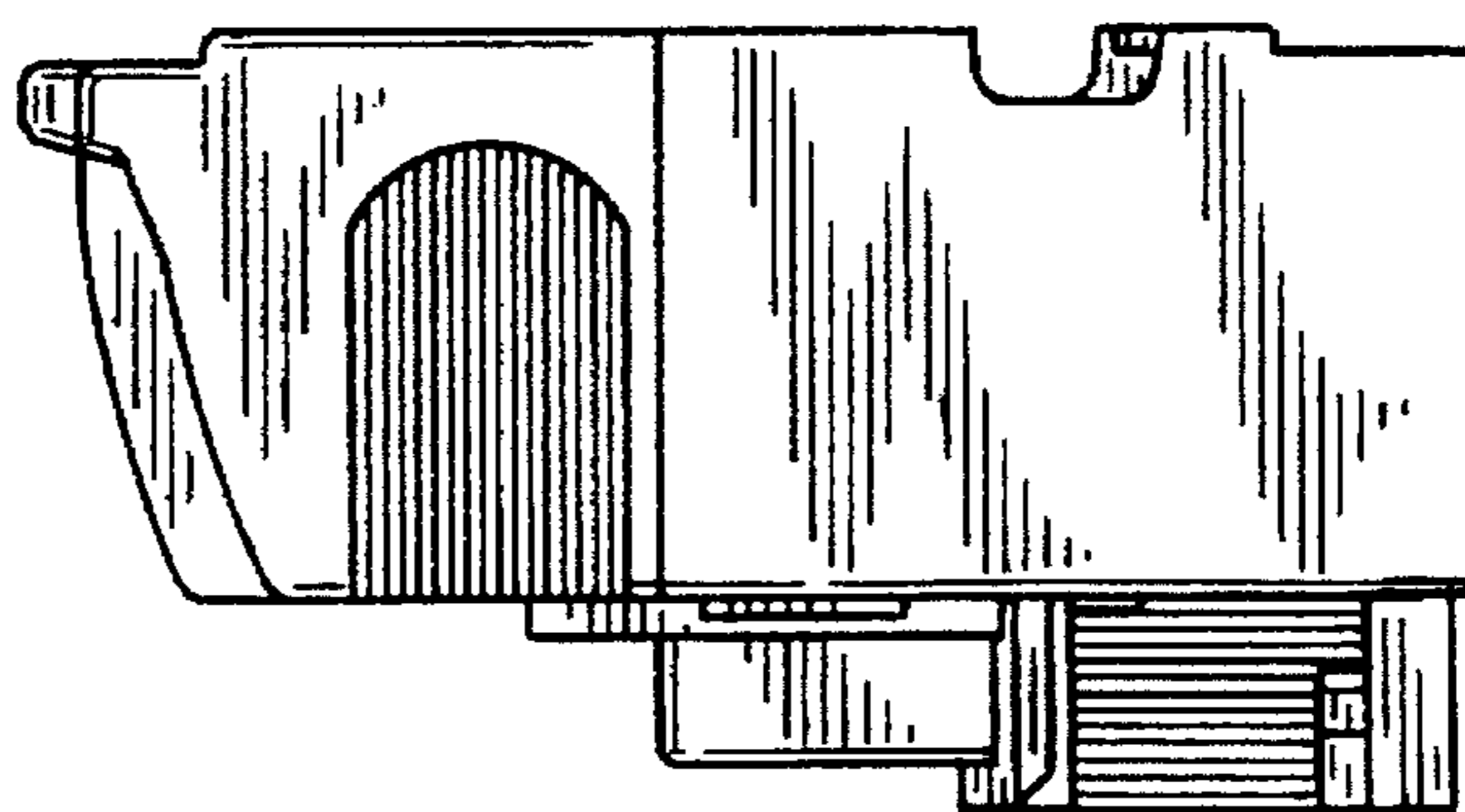
FIG. 4



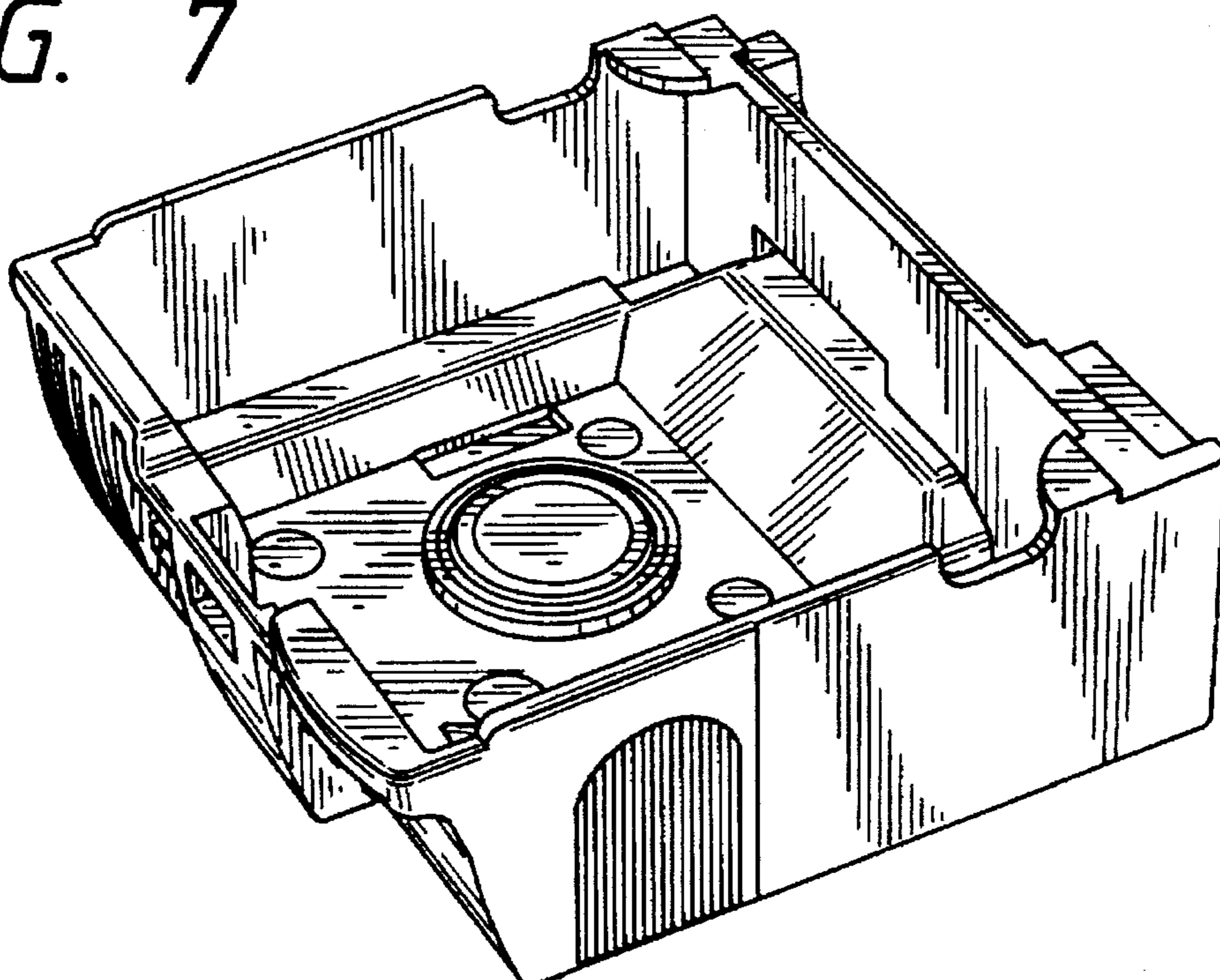
*FIG. 5*



*FIG. 6*



*FIG. 7*



UNITED STATES PATENT AND TRADEMARK OFFICE  
**CERTIFICATE OF CORRECTION**

PATENT NO. : Des. 382,014

DATED : August 5, 1997

INVENTOR(S): NAOKI TASHIRO ET AL.

It is certified that error appears in the above-identified patent and that said Letters Patent is hereby corrected as shown below: On the title page:Item

[56] REFERENCES CITED

Foreign Patent Documents

"1141560" should read --1-141560--.  
"2261451" should read --2-261451--.  
"2187349" should read --2-187349--.  
"3101945" should read --3-101945--.  
"3234653" should read --3-234653--.  
"4247960" should read --4-247960--.  
"4347653" should read --4-347653--.  
"5162329" should read --5-162329--.  
"5278227" should read --5-278227--.

Signed and Sealed this

Sixth Day of January, 1998



BRUCE LEHMAN

Commissioner of Patents and Trademarks

Attest:

Attesting Officer