



US00D382013S

# United States Patent [19]

[11] Patent Number: **Des. 382,013**

Tashiro et al.

[45] Date of Patent: **\*\*Aug. 5, 1997**

[54] **INK CARTRIDGE HOLDER FOR PRINTER**

5,515,091 5/1996 Kimura et al. .... 347/86

[75] Inventors: **Naoki Tashiro**, Kawasaki; **Toshihiko Ujita**, Yamato; **Teruo Arashima**, Kawasaki; **Yuji Hamasaki**, Sagamihara; **Hisashi Yamamoto**, Hiratsuka; **Wataru Takahashi**, Yokohama, all of Japan

### FOREIGN PATENT DOCUMENTS

583154	2/1994	European Pat. Off. ....	347/87
639461	2/1995	European Pat. Off. ....	347/86
1141560	6/1986	Japan .....	347/87
2261451	11/1987	Japan .....	347/86
2-187349	7/1990	Japan .....	347/87
3-101945	4/1991	Japan .....	347/87
3-234653	10/1991	Japan .....	347/86
4-247960	9/1992	Japan .....	347/87
4-347653	12/1992	Japan .....	347/86
5-162329	6/1993	Japan .....	347/86
5-278227	10/1993	Japan .....	347/86
2241201	8/1991	United Kingdom .....	347/86

[73] Assignee: **Canon Kabushiki Kaisha**, Tokyo, Japan

[\*\*] Term: **14 Years**

[21] Appl. No.: **42,265**

[22] Filed: **Aug. 4, 1995**

### [30] Foreign Application Priority Data

Feb. 6, 1995 [JP] Japan ..... 7-2762

[51] LOC (6) Cl. .... **18-02**

[52] U.S. Cl. .... **D18/56**

[58] Field of Search ..... D18/12, 40, 43,  
D18/56; 347/86, 87; 101/348

*Primary Examiner*—Cathy Anne MacCormac  
*Attorney, Agent, or Firm*—Fitzpatrick, Cella Harper, & Scinto

### [57] CLAIM

The ornamental design for an ink cartridge holder for printer, as shown and described.

### DESCRIPTION

FIG. 1 is a front elevational view of an ink cartridge holder for printer, showing our new design; FIG. 2 is a rear elevational view thereof; FIG. 3 is a top plan view thereof; FIG. 4 is a bottom plan view thereof; FIG. 5 is a left side elevational view thereof; FIG. 6 is a right side elevational view thereof; and, FIG. 7 is a perspective view thereof.

### [56] References Cited

#### U.S. PATENT DOCUMENTS

D. 357,274	4/1995	Sato .....	D18/12
5,182,581	1/1993	Kashimura et al. ....	347/87
5,314,257	5/1994	Cheng .....	D18/56
5,406,885	4/1995	Privin .....	101/348
5,408,256	4/1995	Kein et al. ....	347/87
5,459,981	10/1995	Masuda et al. ....	347/87
5,506,611	4/1996	Ujita et al. ....	347/86

**1 Claim, 2 Drawing Sheets**

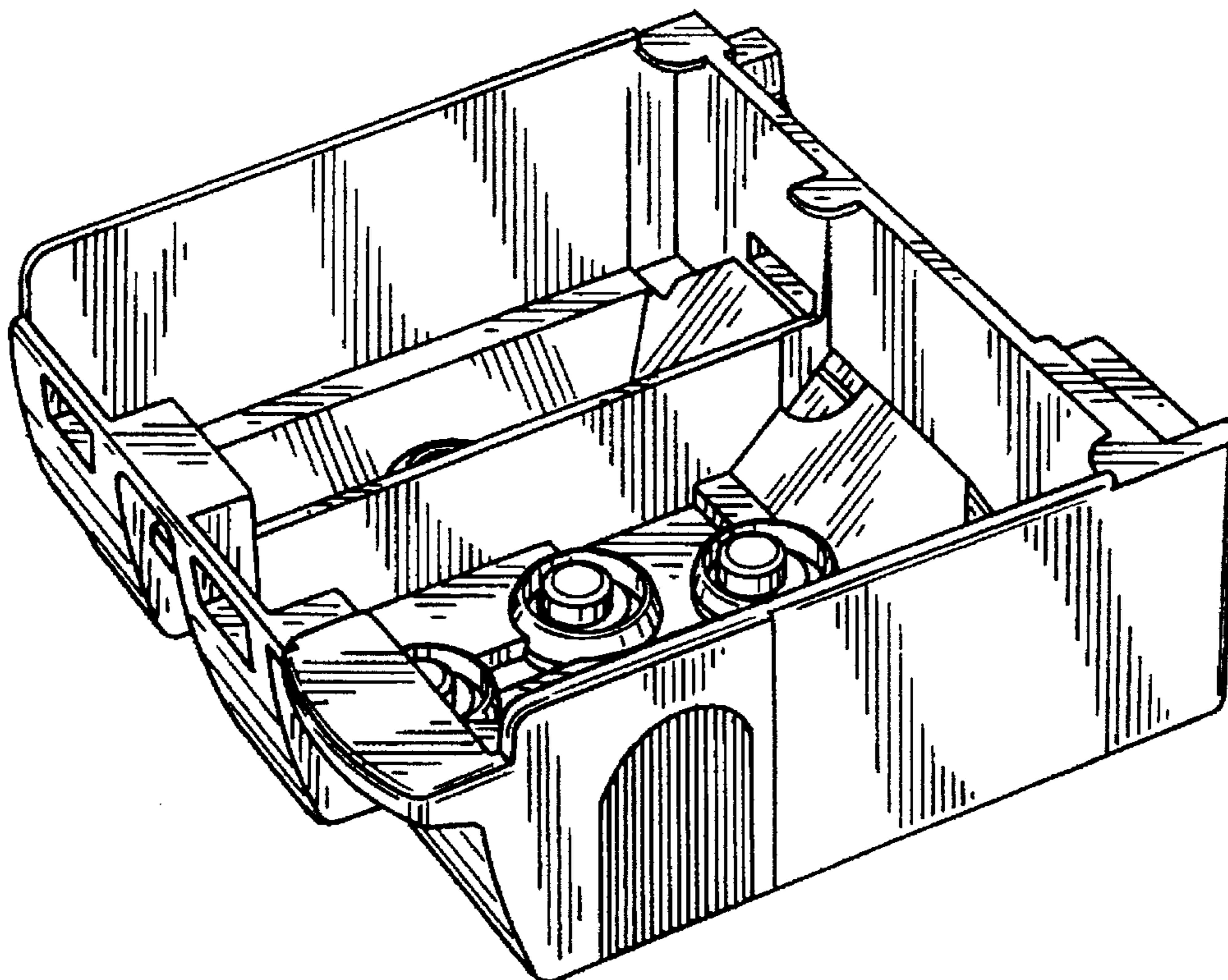


FIG. 1

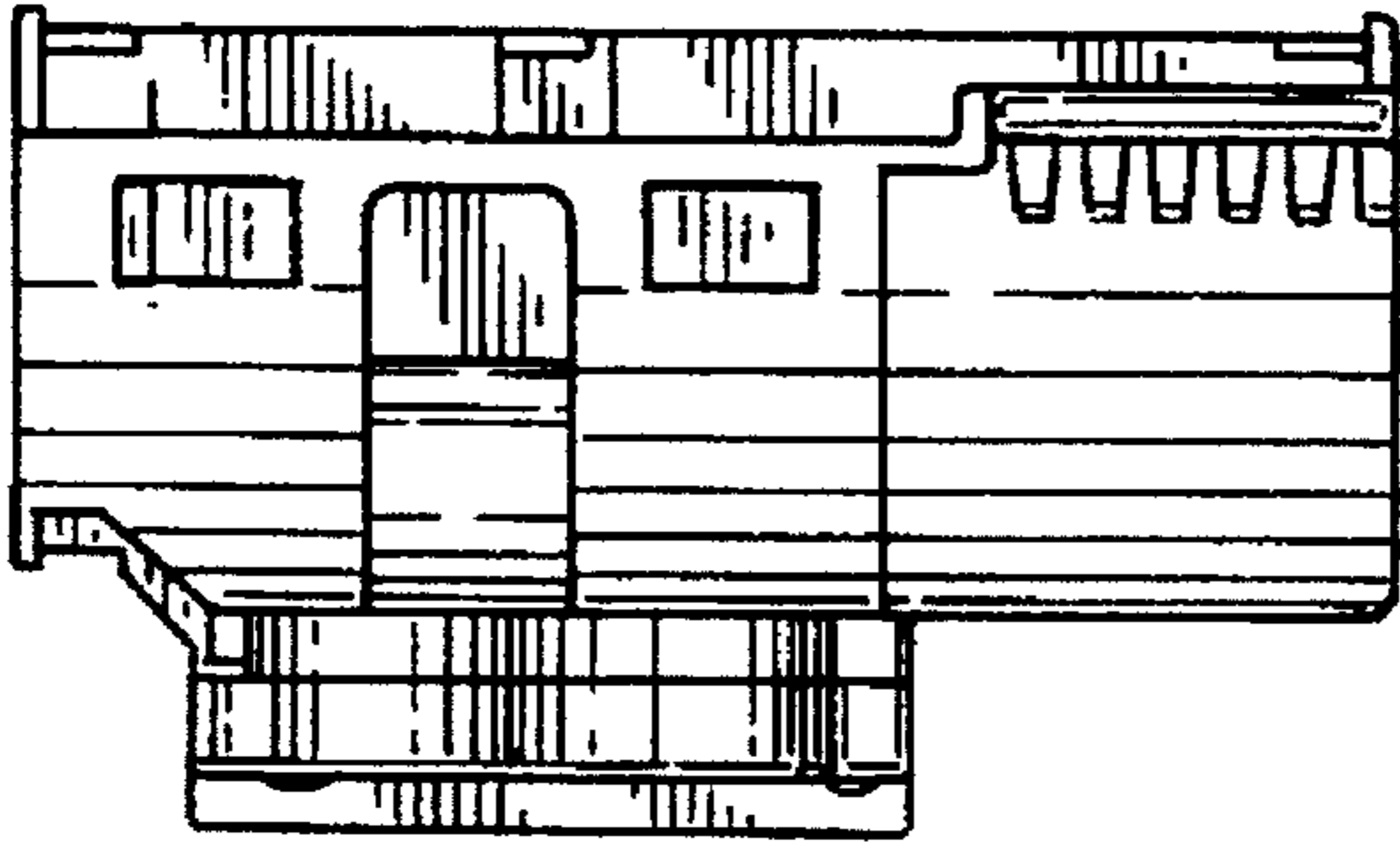


FIG. 2

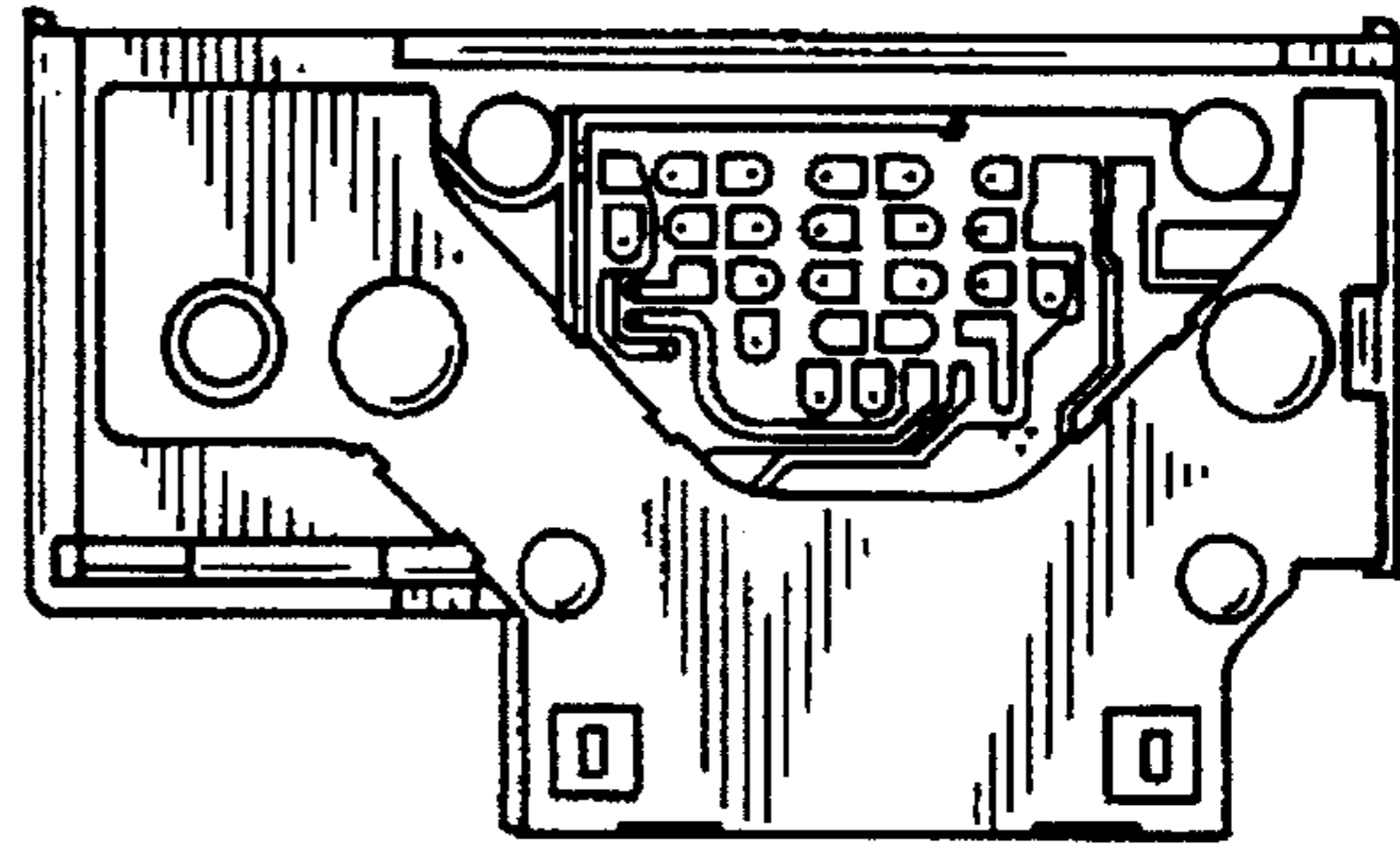


FIG. 3

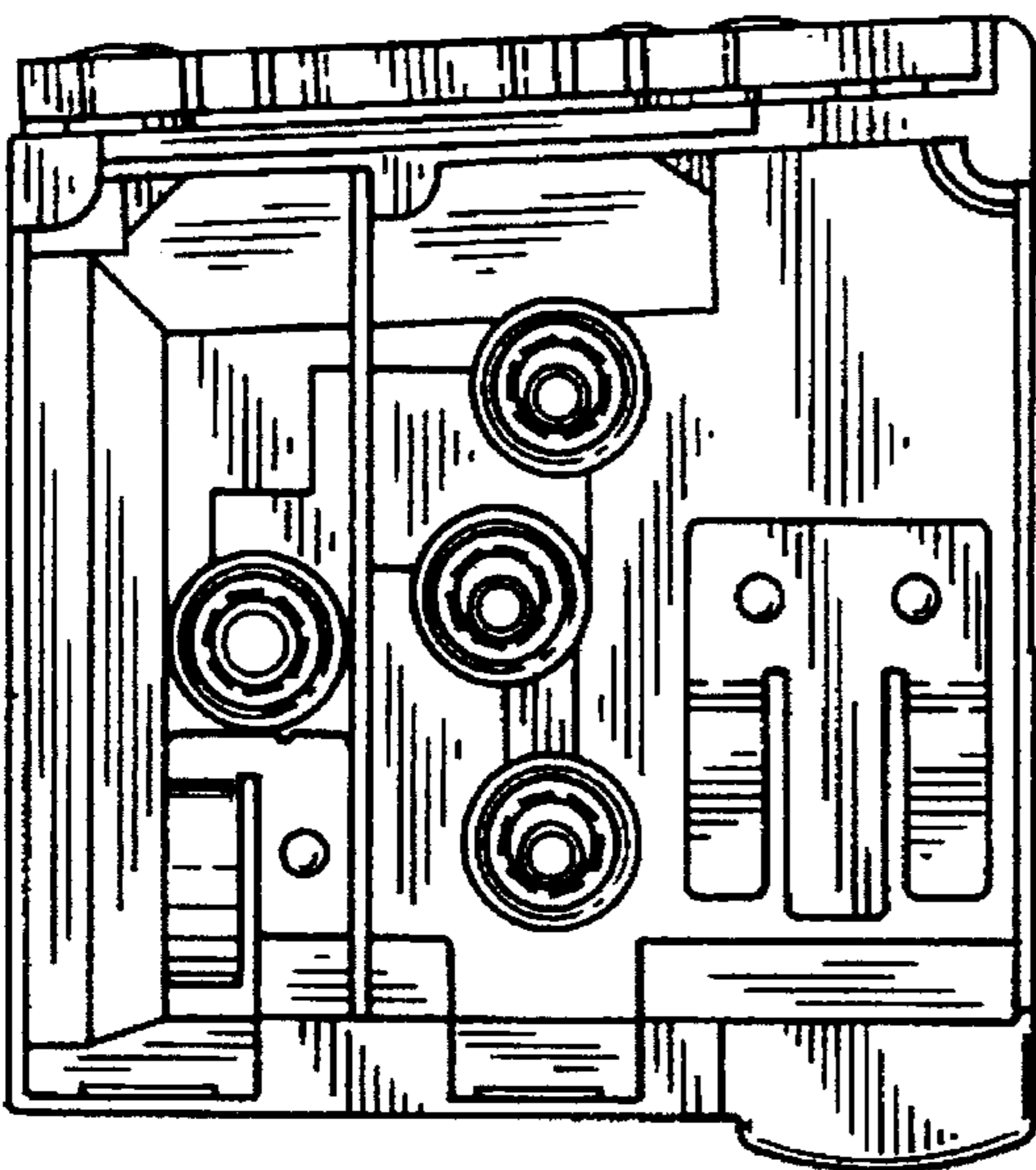


FIG. 4

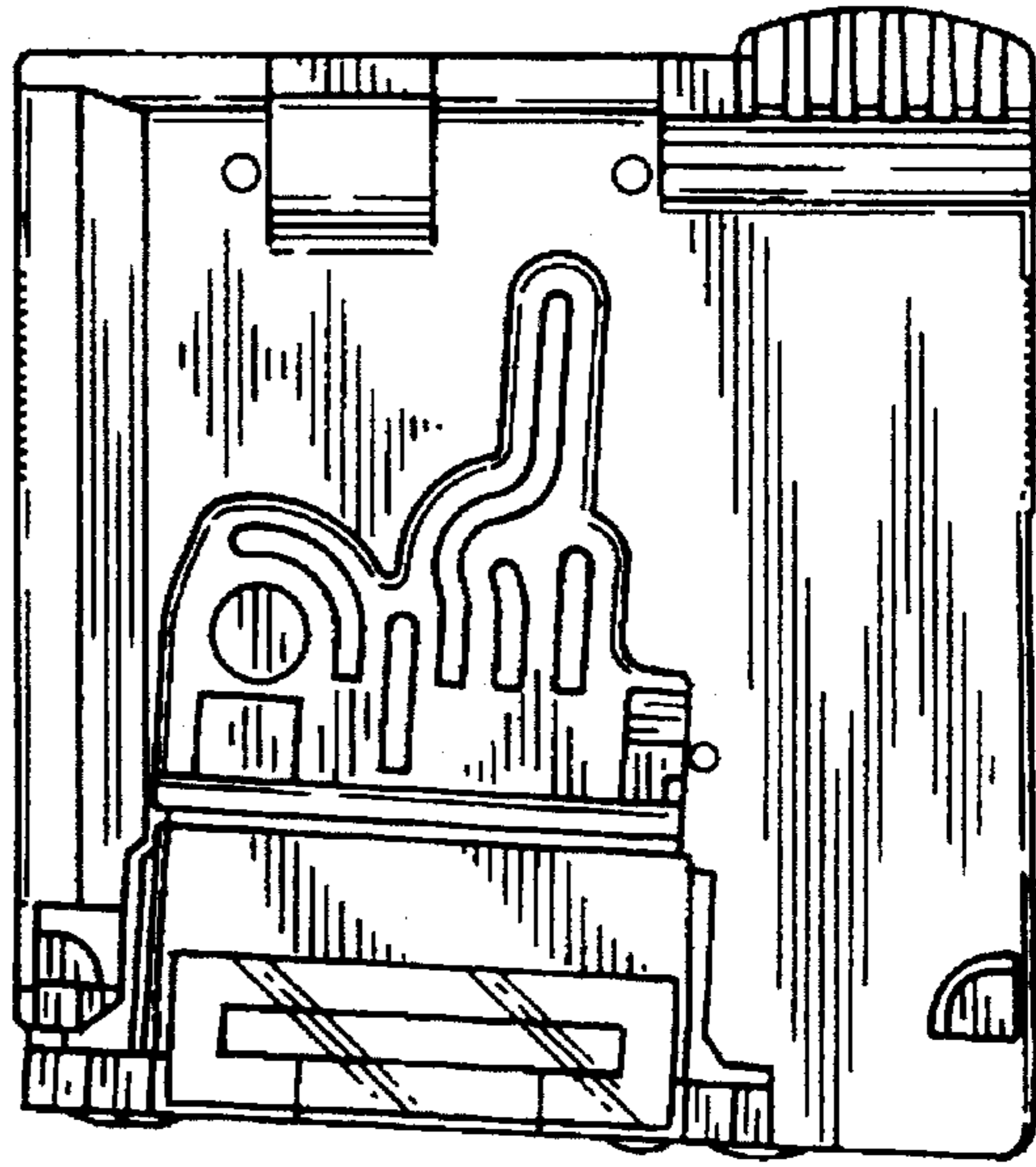


FIG. 5

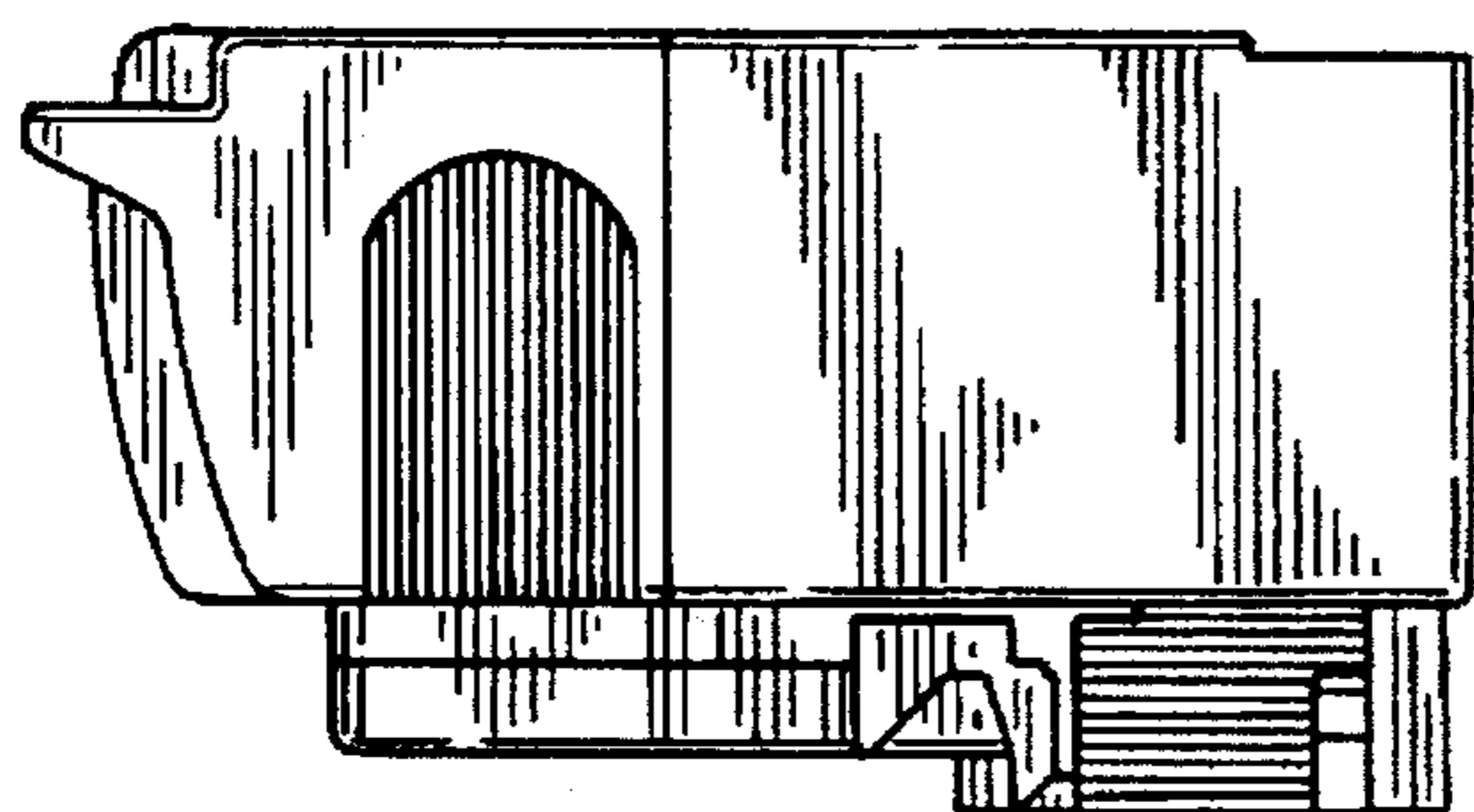


FIG. 6

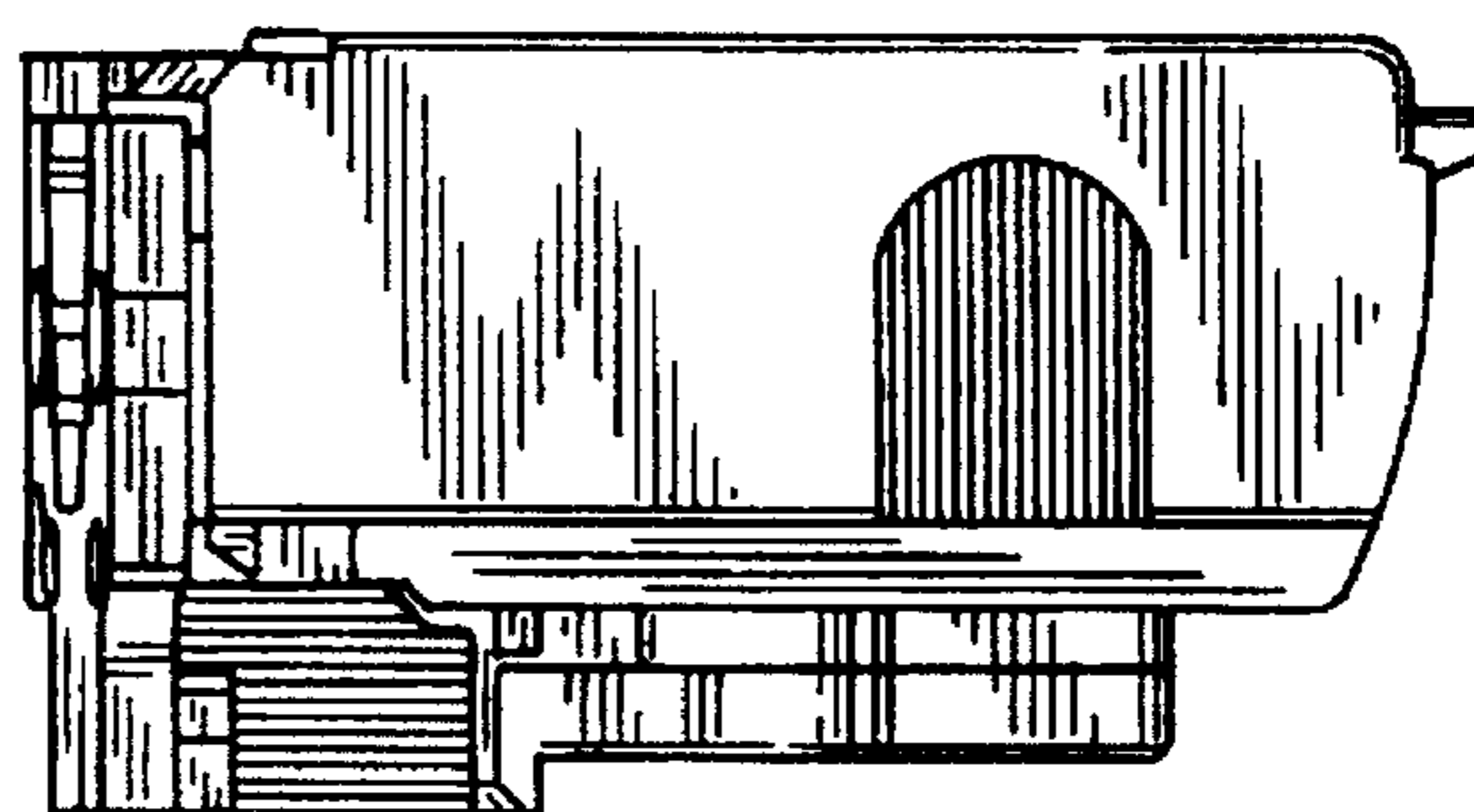
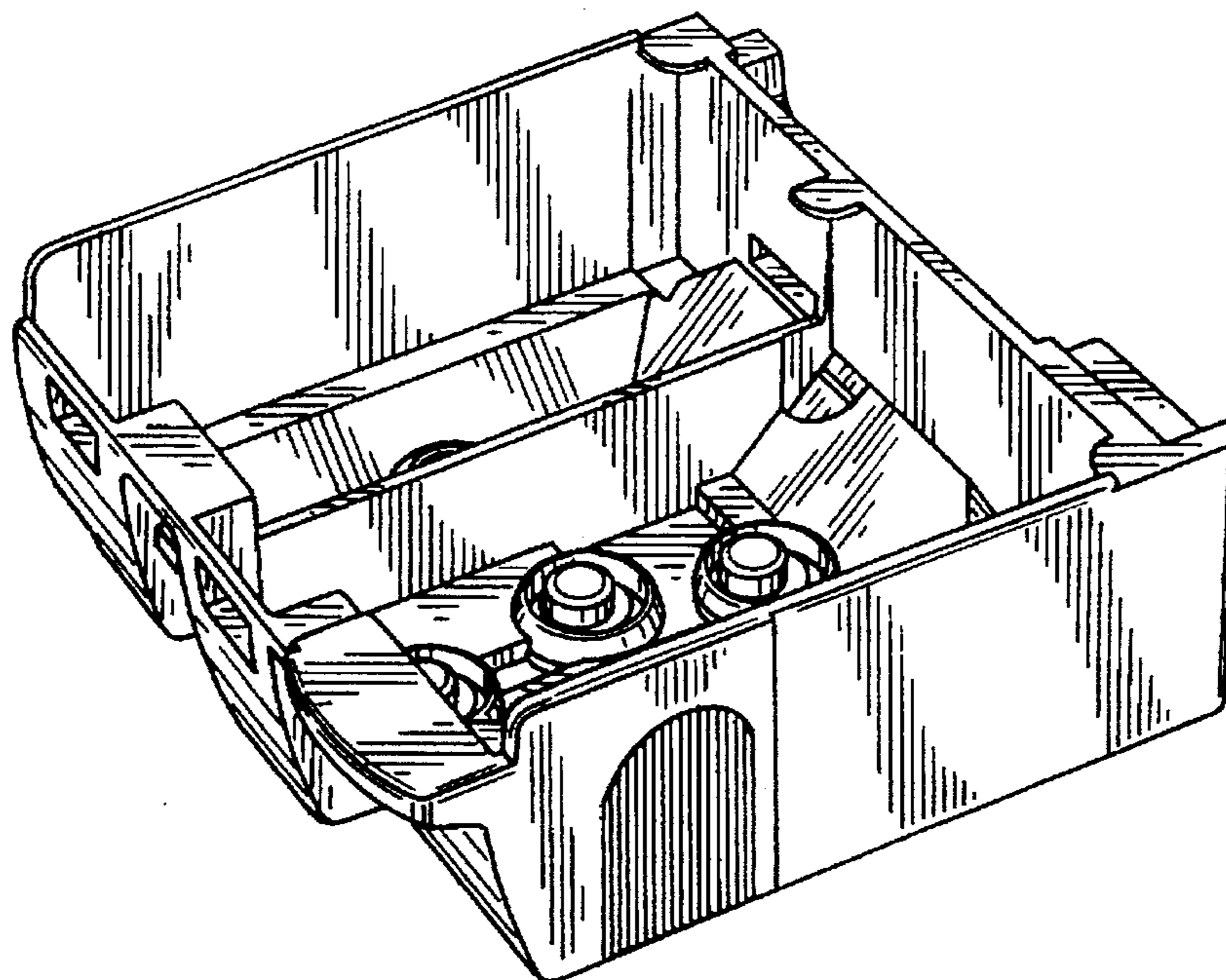


FIG. 7



UNITED STATES PATENT AND TRADEMARK OFFICE  
CERTIFICATE OF CORRECTION

PATENT NO. : Des. 382,013

DATED : August 5, 1997

INVENTOR(S) : NAOKI TASHIRO ET AL.

It is certified that error appears in the above-identified patent and that said Letters Patent is hereby corrected as shown below:

TITLE PAGE:

[56] REFERENCES CITED

Foreign Patent Documents

"1141560 6/1986 Japan

2261451 11/1987 Japan" should read

--61-141560 6/1986 Japan

62-261451 11/1987 Japan--.

Attorney, Agent or Firm

"Fitzpatrick, Cella Harper, & Scinto" should read

--Fitzpatrick, Cella, Harper & Scinto--.

Signed and Sealed this

Seventeenth Day of February, 1998

Attest:



BRUCE LEHMAN

Attesting Officer

Commissioner of Patents and Trademarks