



US00D382008S

**United States Patent** [19]  
**Mak**

[11] **Patent Number:** **Des. 382,008**

[45] **Date of Patent:** **\*\*Aug. 5, 1997**

[54] **COMBINED CALCULATOR AND CLOCK**

D. 318,019 7/1991 Van Lelyveld ..... D10/15  
D. 366,215 1/1996 George et al. .... D10/15 X

[75] **Inventor:** **Ronnie Chi Wah Mak**, Kowloon,  
Hong Kong

*Primary Examiner*—James Gandy  
*Assistant Examiner*—Caron D. Veynar  
*Attorney, Agent, or Firm*—Beveridge, DeGrandi, Weilacher  
& Young, LLP

[73] **Assignee:** **Sanny Electronics Limited**, Kowloon,  
Hong Kong

[\*\*] **Term:** **14 Years**

[57] **CLAIM**

[21] **Appl. No.:** **53,195**

The ornamental design for a combined calculator and clock,  
as shown and described.

[22] **Filed:** **Apr. 17, 1996**

**DESCRIPTION**

[51] **LOC (6) Cl.** ..... **18-01**

[52] **U.S. Cl.** ..... **D18/2; D10/2; D10/15**

[58] **Field of Search** ..... D18/1, 2, 6, 7,  
D18/11, 12; D10/1, 2, 15, 30; D14/100;  
200/5 A; 235/61 R; 340/365, 700; 364/706-710;  
368/276, 277, 285, 316, 317, 280-282

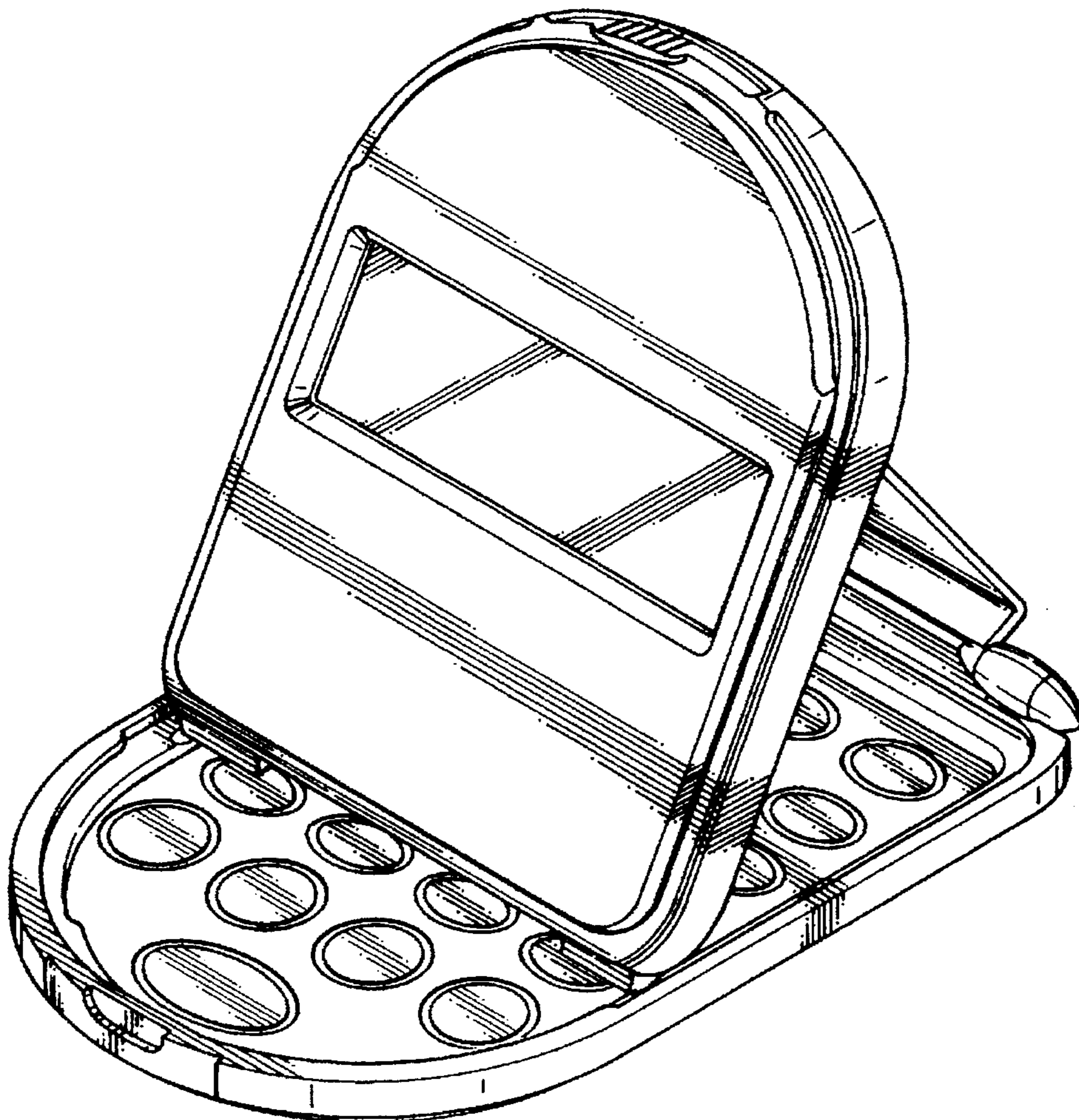
FIG. 1 is a rear view of a combined calculator and clock  
showing my new design;  
FIG. 2 is a left side view thereof;  
FIG. 3 is a bottom view thereof;  
FIG. 4 is a front view thereof;  
FIG. 5 is a right side view thereof;  
FIG. 6 is a top view thereof;  
FIG. 7 is a front perspective view thereof;  
FIG. 8 is a front view in opened position;  
FIG. 9 is a front perspective view in opened position; and,  
FIG. 10 is a front perspective view in an open support  
position.

[56] **References Cited**

**U.S. PATENT DOCUMENTS**

D. 249,822 10/1978 Ohie et al. .... D18/7  
D. 304,304 10/1989 Charet et al. .... D10/15  
D. 310,093 8/1990 Sakaguchi et al. .... D18/7  
D. 317,779 6/1991 Chen ..... D18/7

**1 Claim, 6 Drawing Sheets**



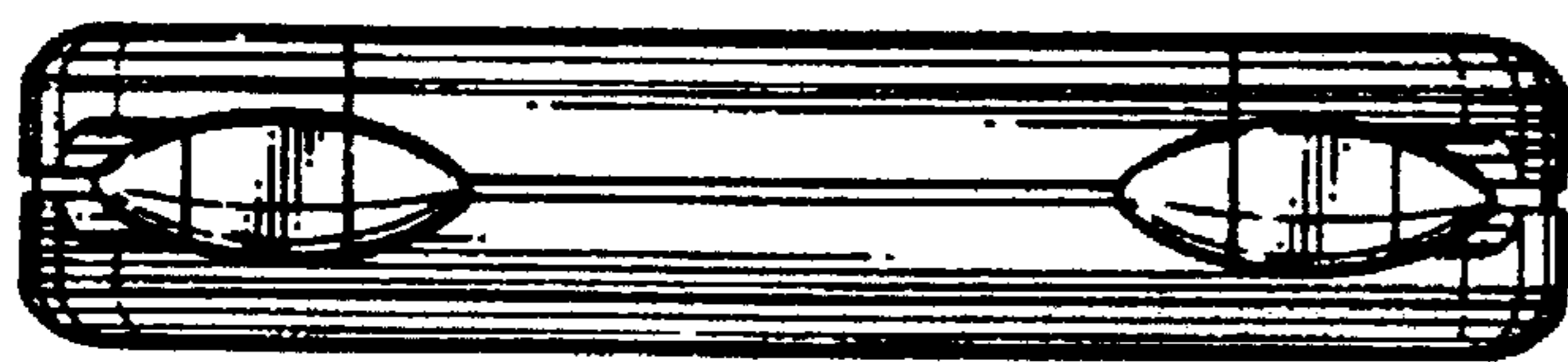


FIG. 3

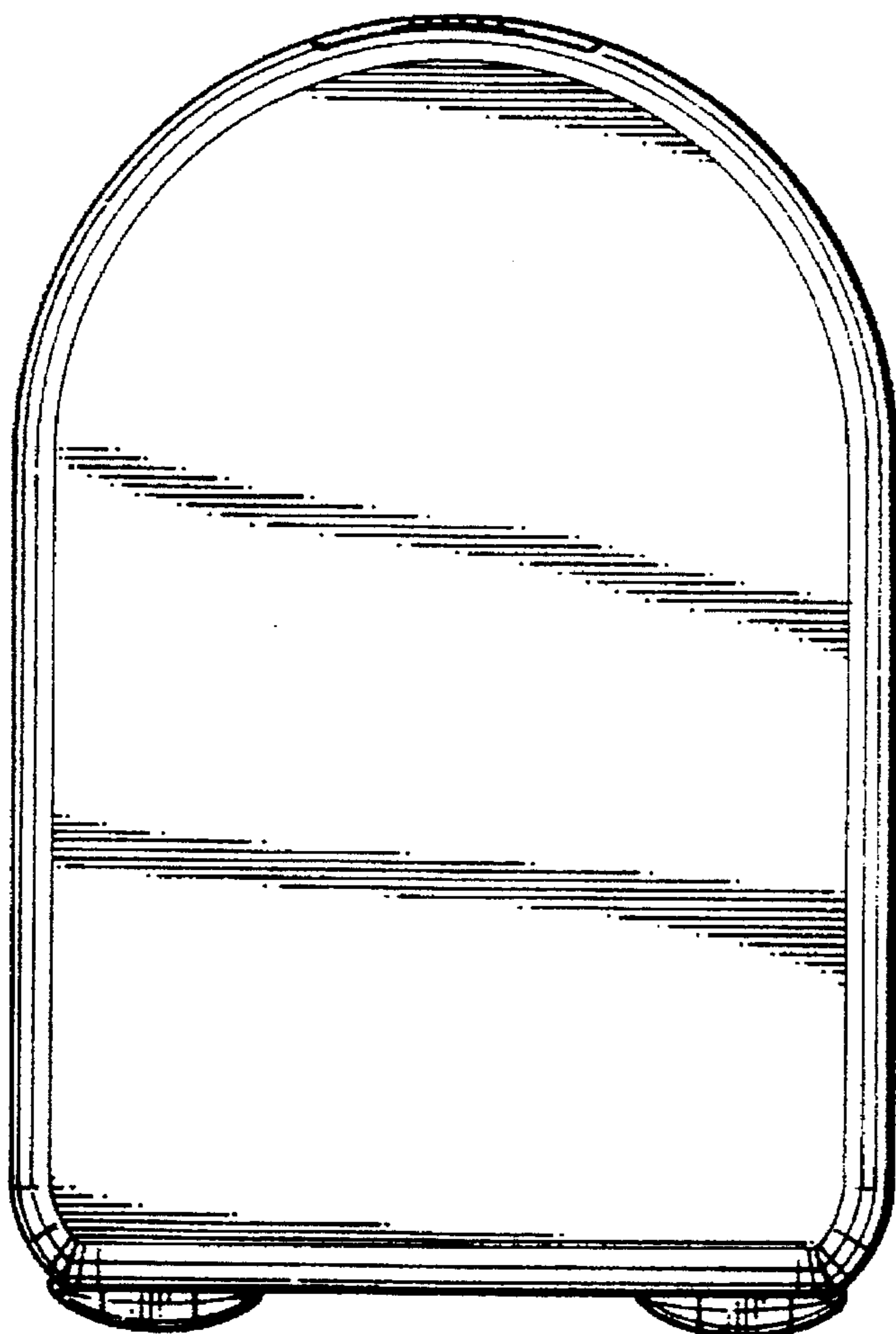


FIG. 1

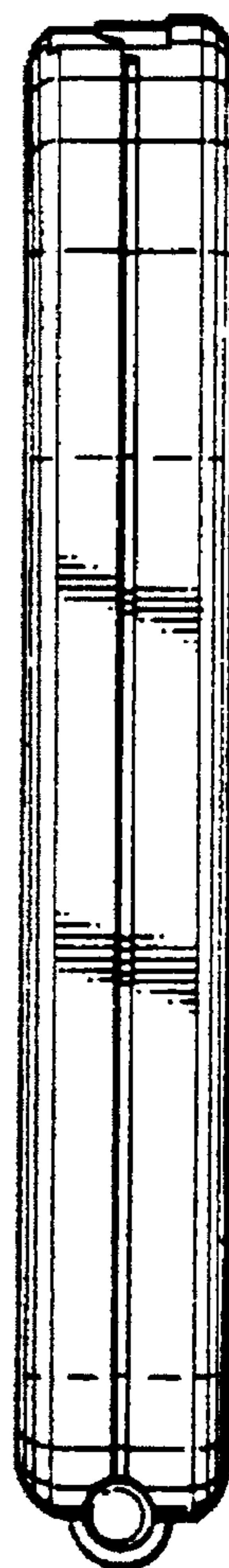


FIG. 2

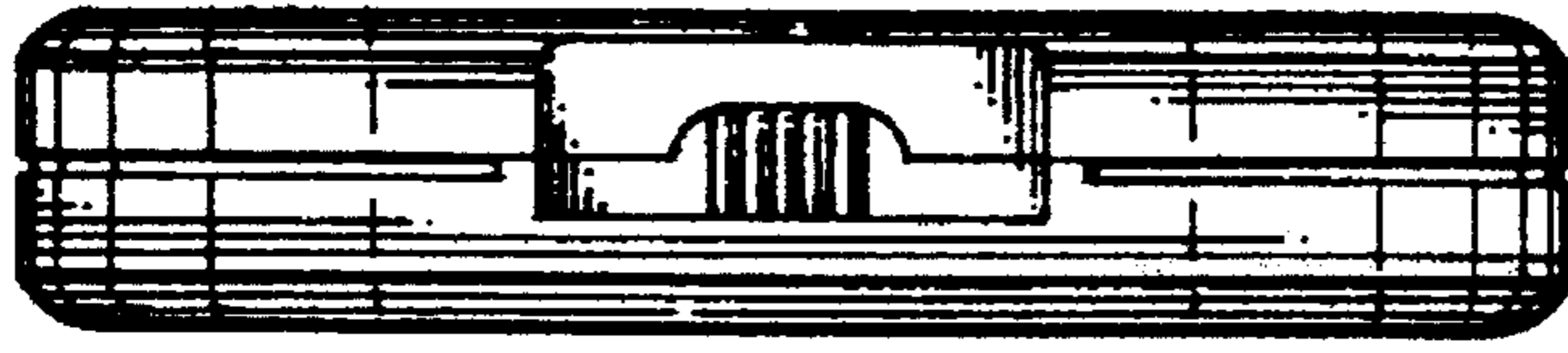


FIG. 6

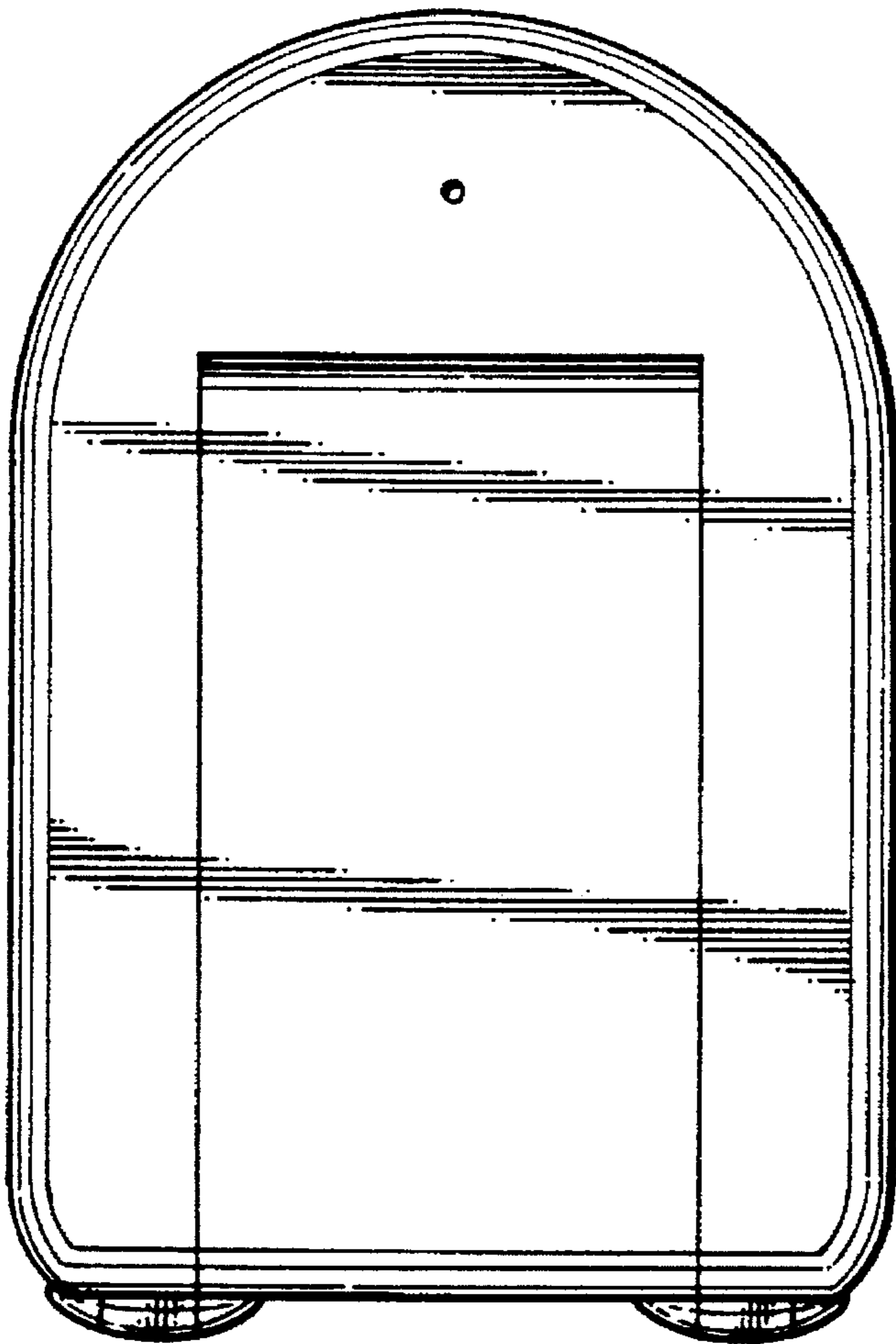


FIG. 4

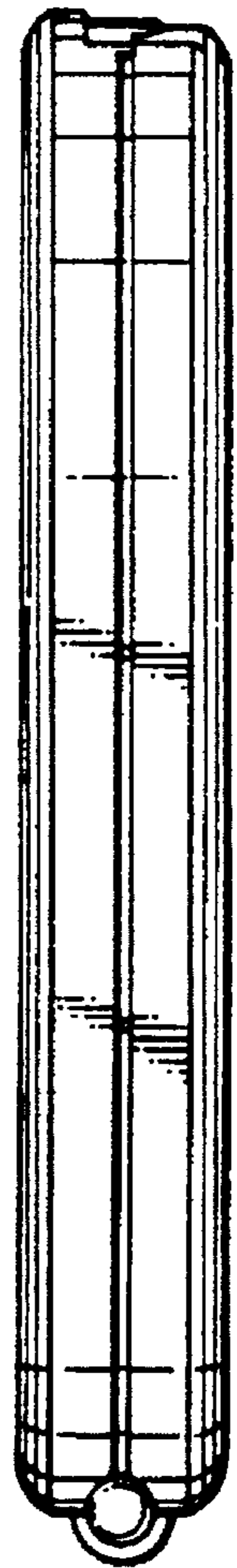


FIG. 5

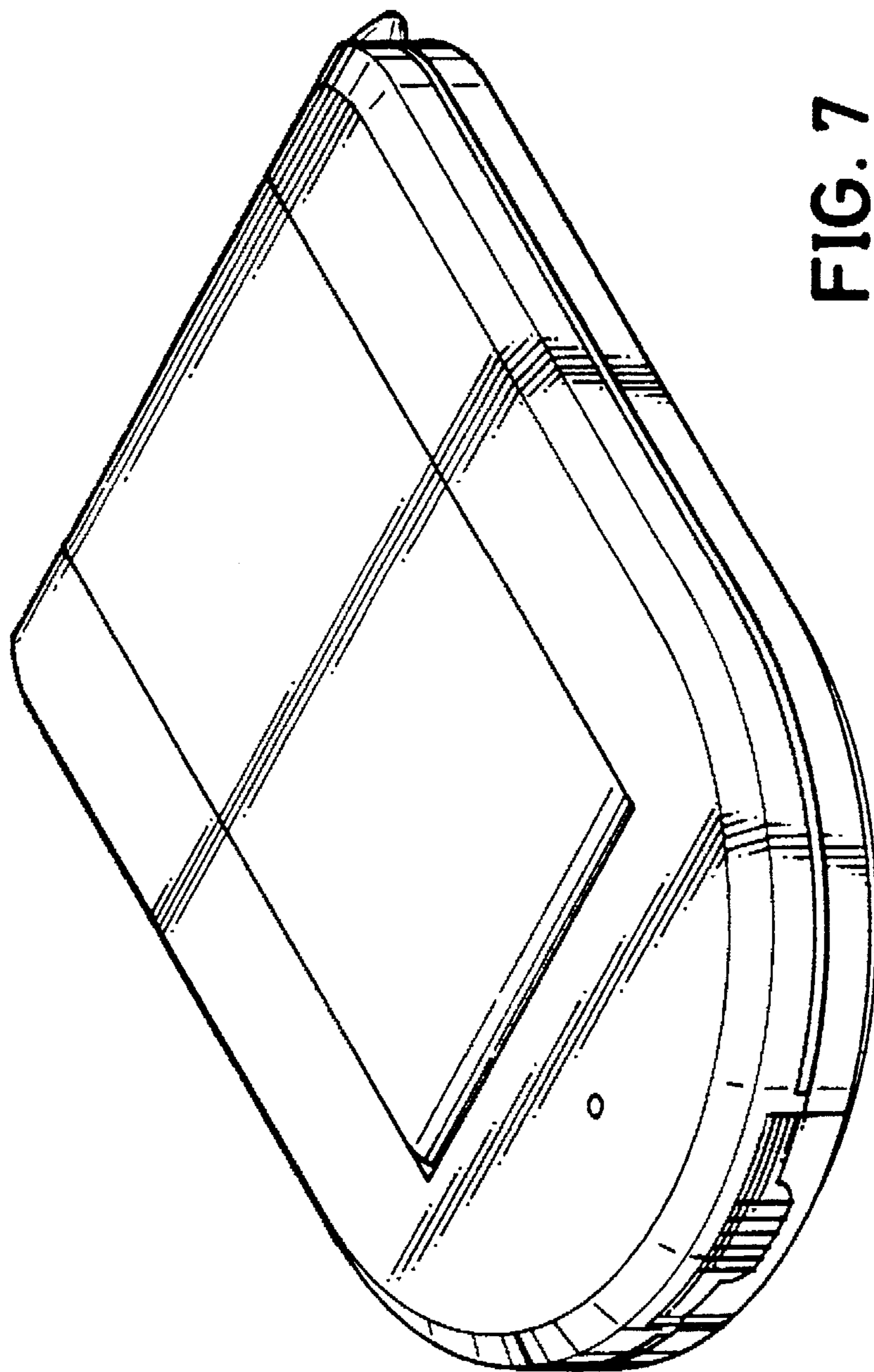


FIG. 7

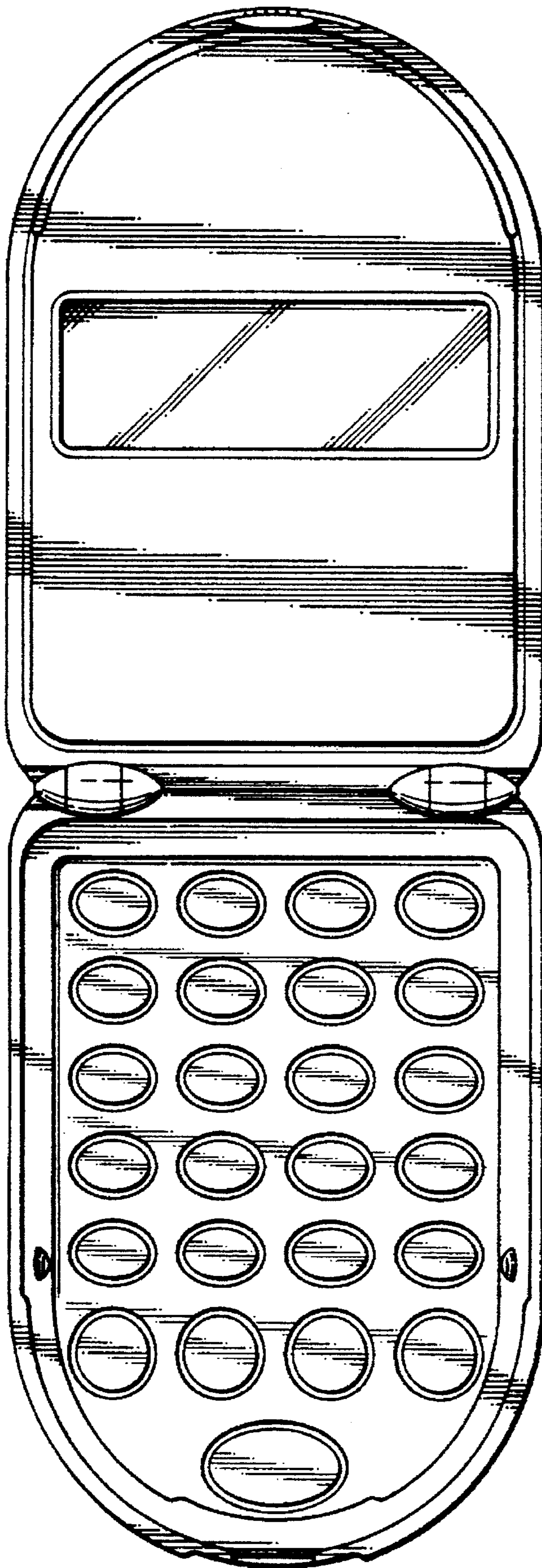


FIG. 8

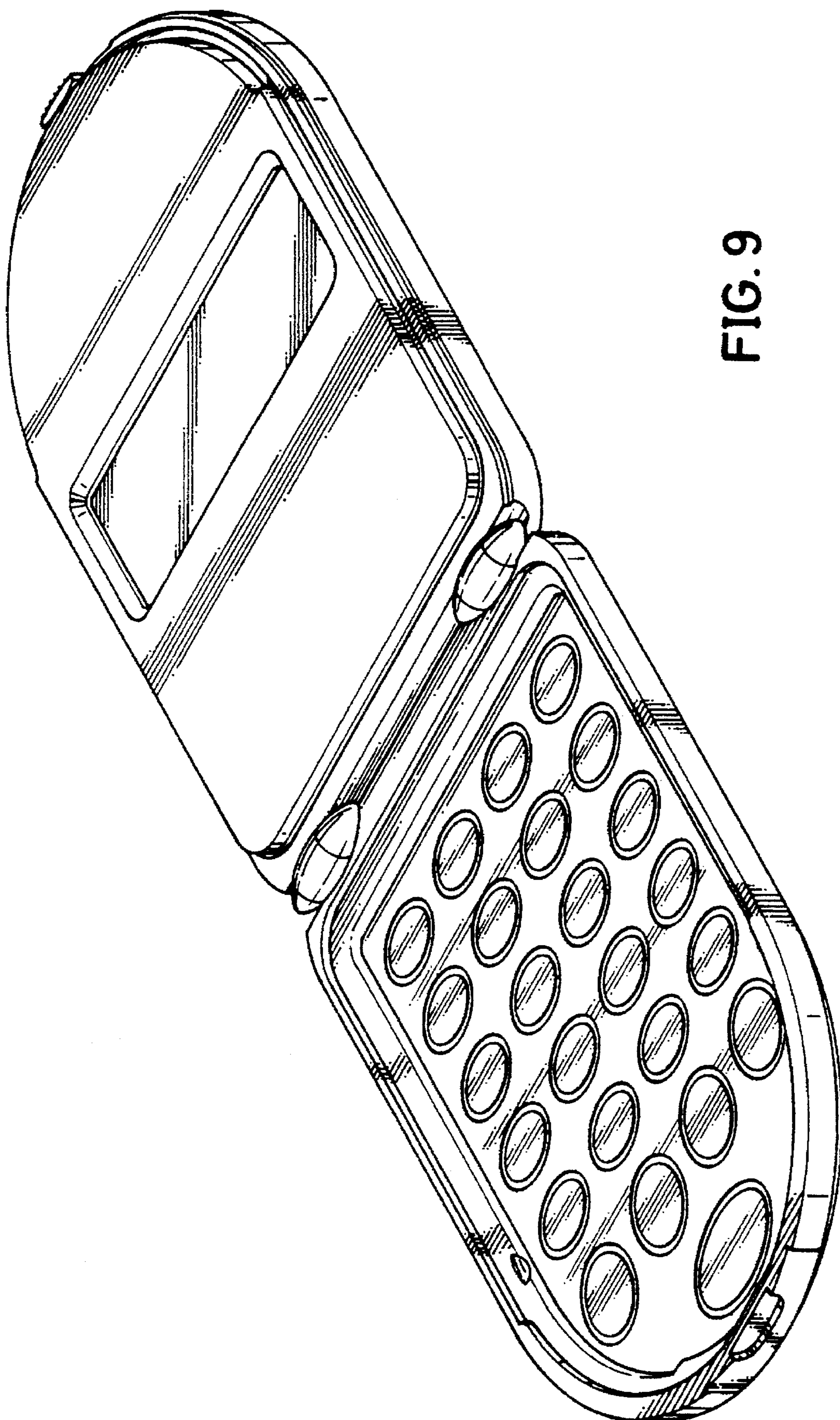


FIG. 9

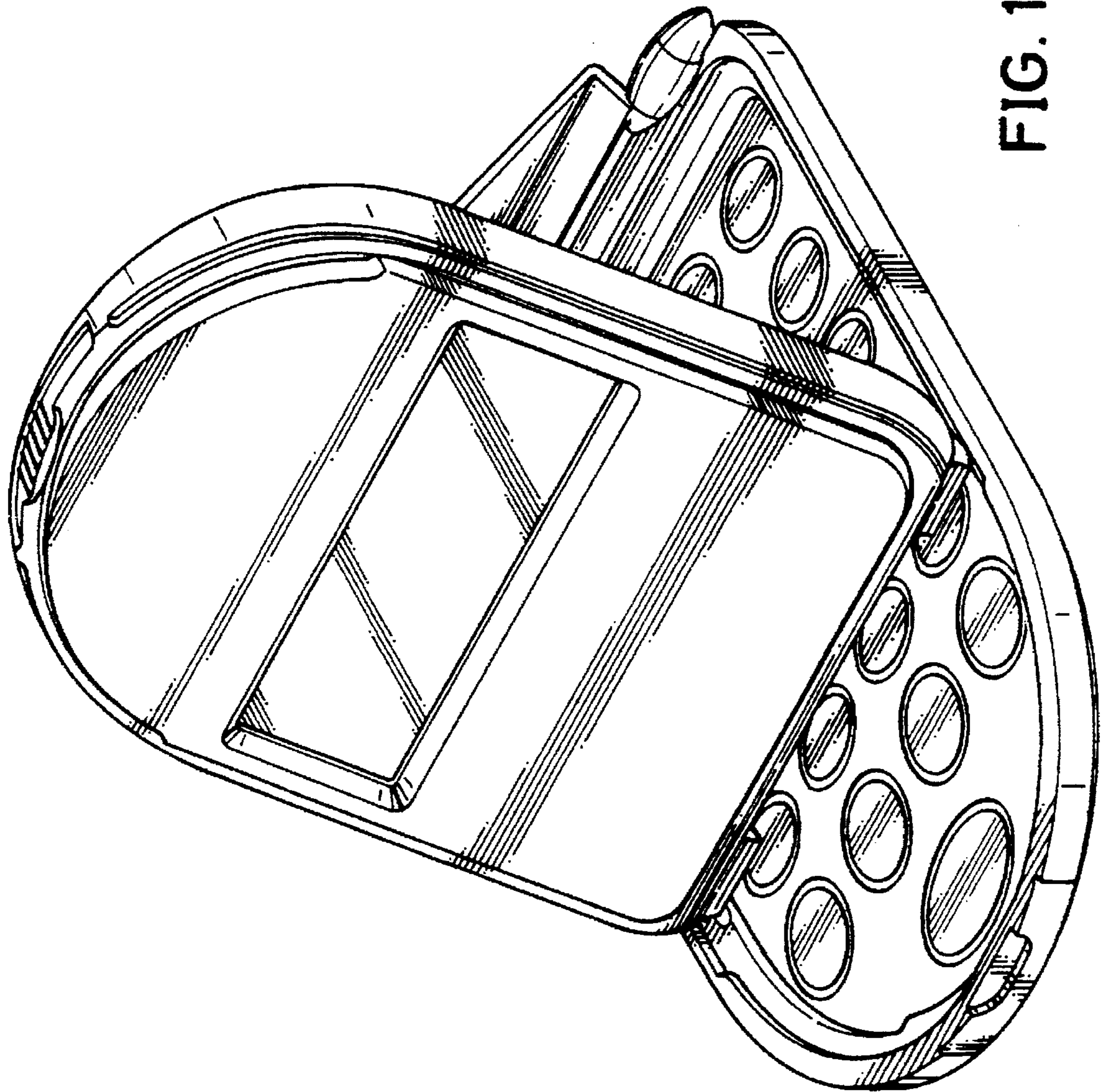


FIG. 10