



US00D382006S

# United States Patent [19] Nakajima

[11] Patent Number: **Des. 382,006**  
[45] Date of Patent: **\*\*Aug. 5, 1997**

[54] **ELECTRONIC PIANO** 1,893,940 1/1933 Hammond ..... 84/723

[75] Inventor: **Kazuhito Nakajima**, Hamamatsu, Japan

[73] Assignee: **Yamaha Corporation**, Japan

[\*\*] Term: **14 Years**

[21] Appl. No.: **53,074**

[22] Filed: **Apr. 16, 1996**

[30] **Foreign Application Priority Data**

Oct. 19, 1995 [JP] Japan ..... 7-31396

[51] **LOC (6) Cl.** ..... **17-01**

[52] **U.S. Cl.** ..... **D177; D178**

[58] **Field of Search** ..... **D17/1, 2, 5, 6-9; D21/64; 84/174-177, 180, 423, 428, 670, 644, 719, 723, DIG. 7, DIG. 17**

[56] **References Cited**

**U.S. PATENT DOCUMENTS**

D. 256,130	7/1980	Ohta	.....	D177
D. 260,528	9/1981	Decker	.....	D178
D. 311,412	10/1990	Ohta	.....	D179
D. 345,372	3/1994	Ida	.....	D177
D. 369,378	4/1996	Okamura	.....	D177

**OTHER PUBLICATIONS**

Music Trades, Jan. 1989 p. 175 (Seiler piano).

*Primary Examiner*—Philip S. Hyder  
*Assistant Examiner*—Adir Aronovich  
*Attorney, Agent, or Firm*—Ostrolenk, Faber, Gerb & Soffen, LLP

[57] **CLAIM**

The ornamental design for an electronic piano, as shown and described.

**DESCRIPTION**

FIG. 1 is a top plan view of an electronic piano showing my new design;  
FIG. 2 is a front view thereof;  
FIG. 3 is a rear view thereof;  
FIG. 4 is a bottom view thereof;  
FIG. 5 is a right side view thereof;  
FIG. 6 is a left side view thereof;  
FIG. 7 is a top, front, right side perspective view thereof; and,  
FIG. 8 is a top, front, right side perspective view thereof in a different condition.

**1 Claim, 4 Drawing Sheets**

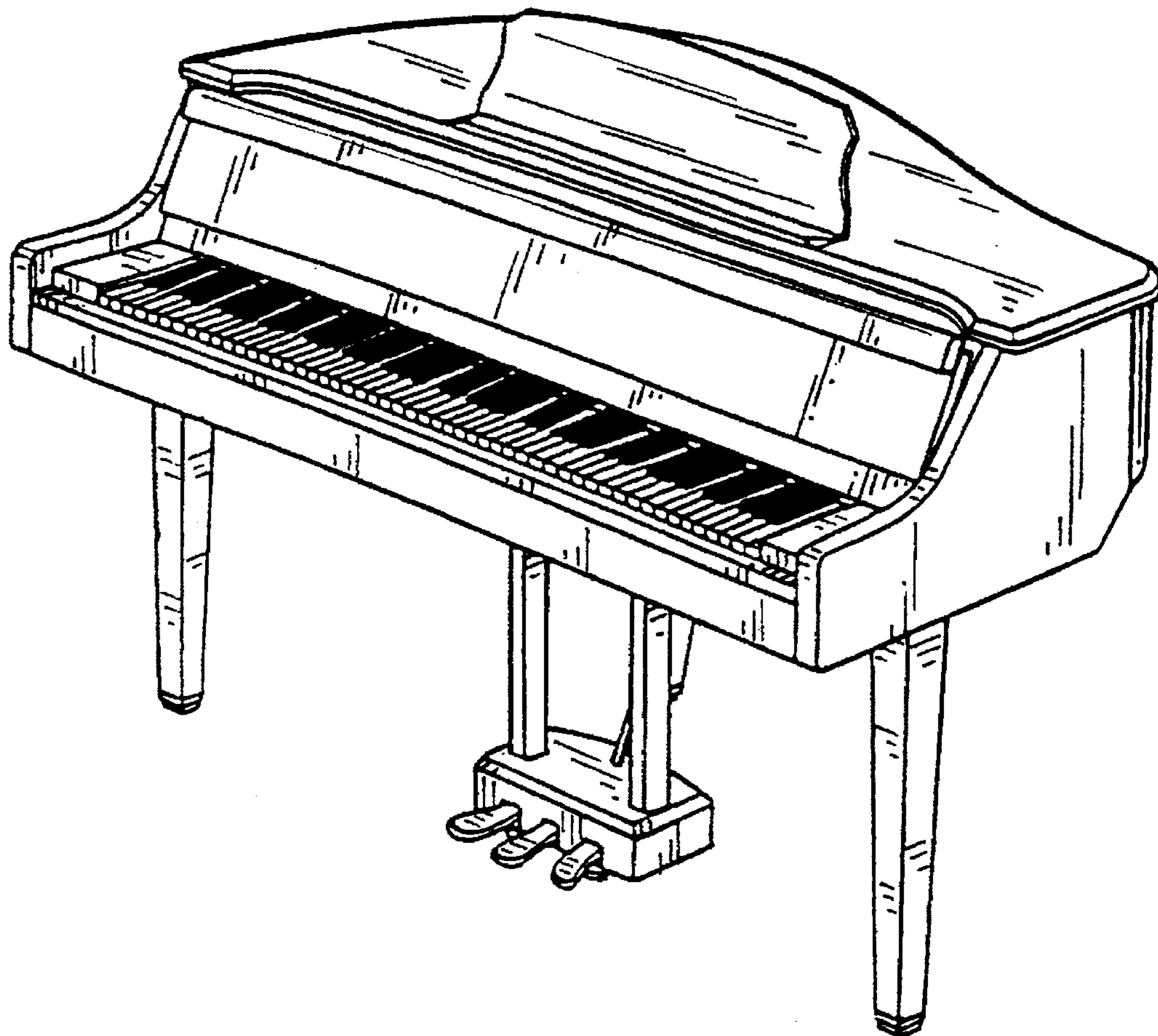


FIG. 1

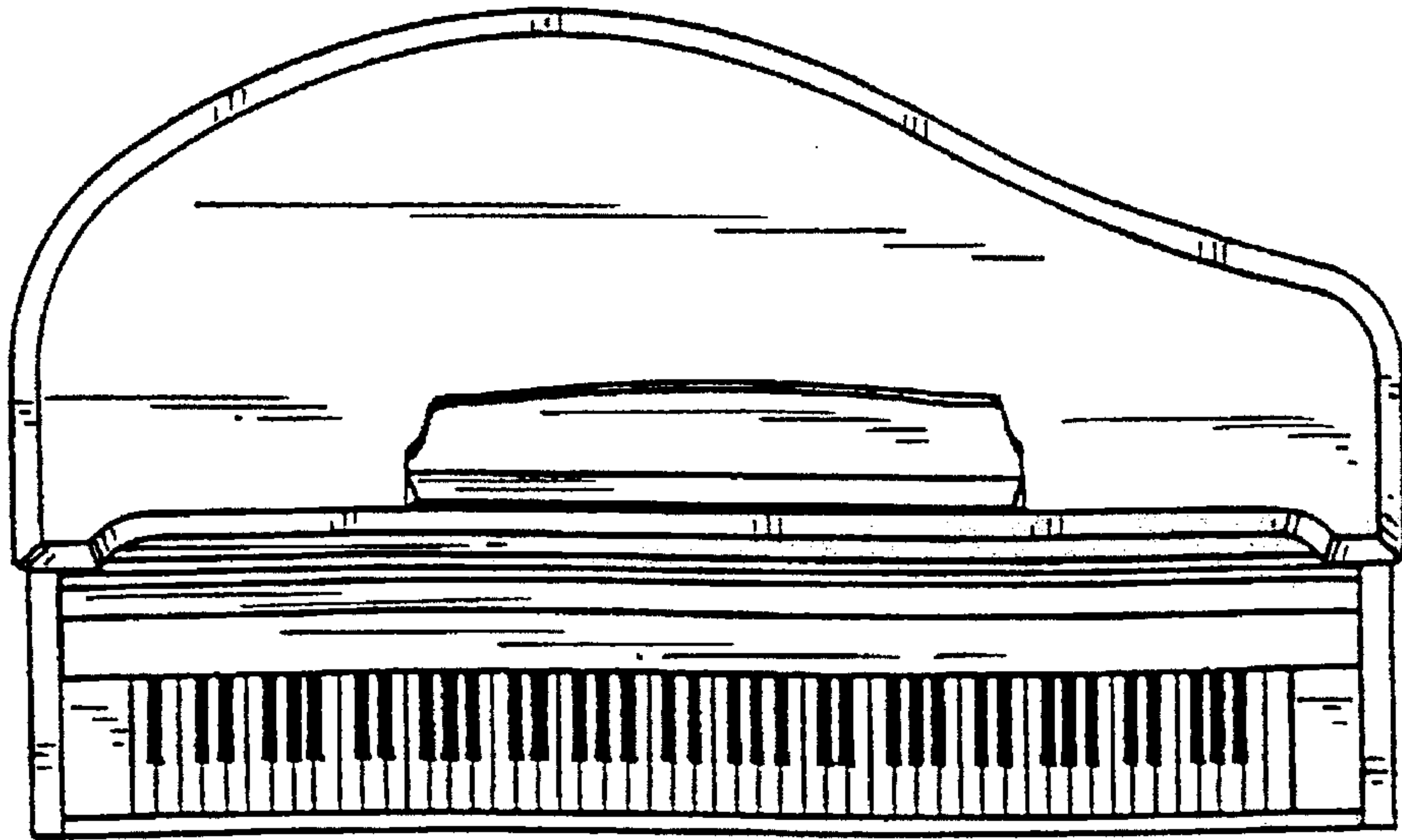


FIG. 2

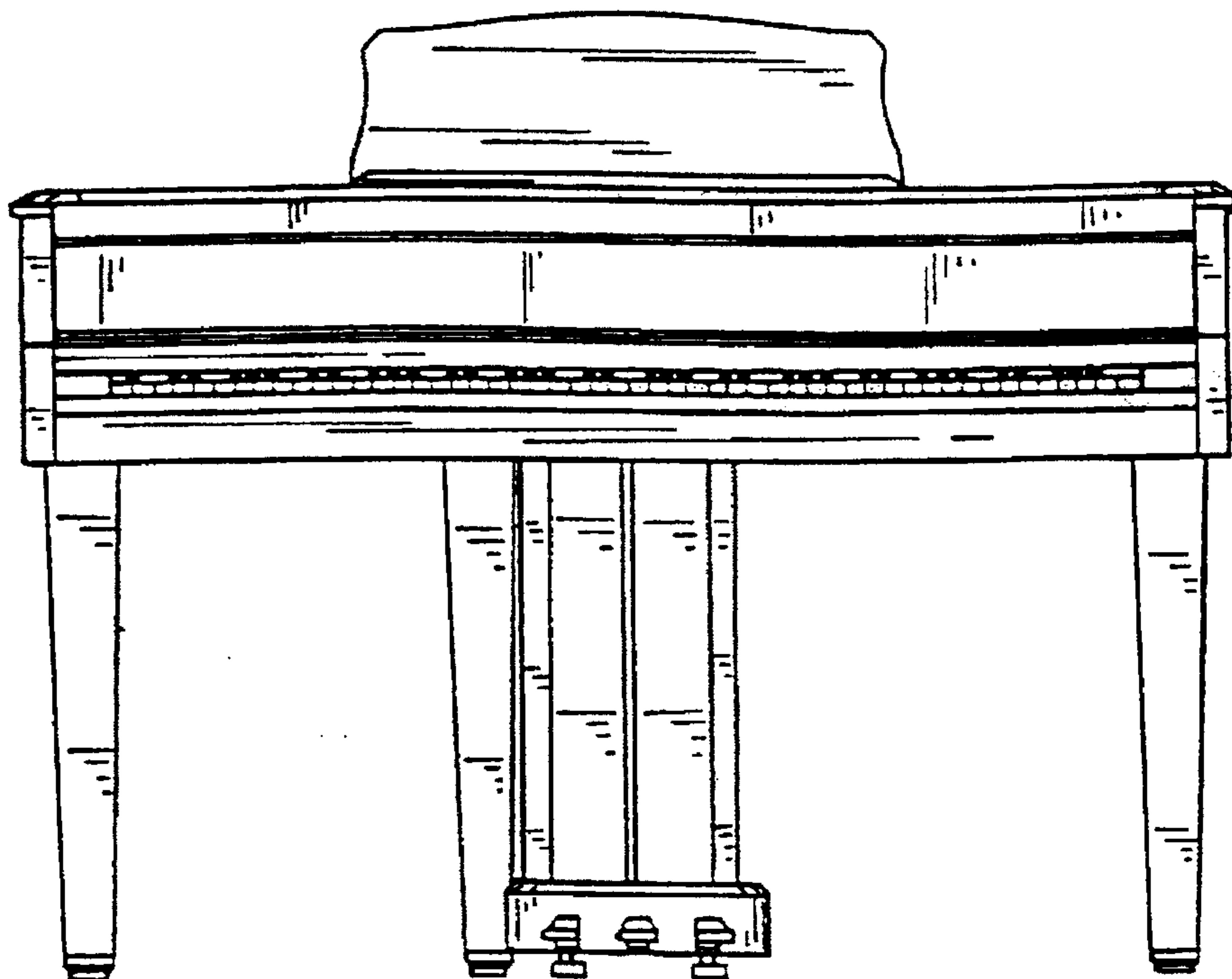


FIG. 3

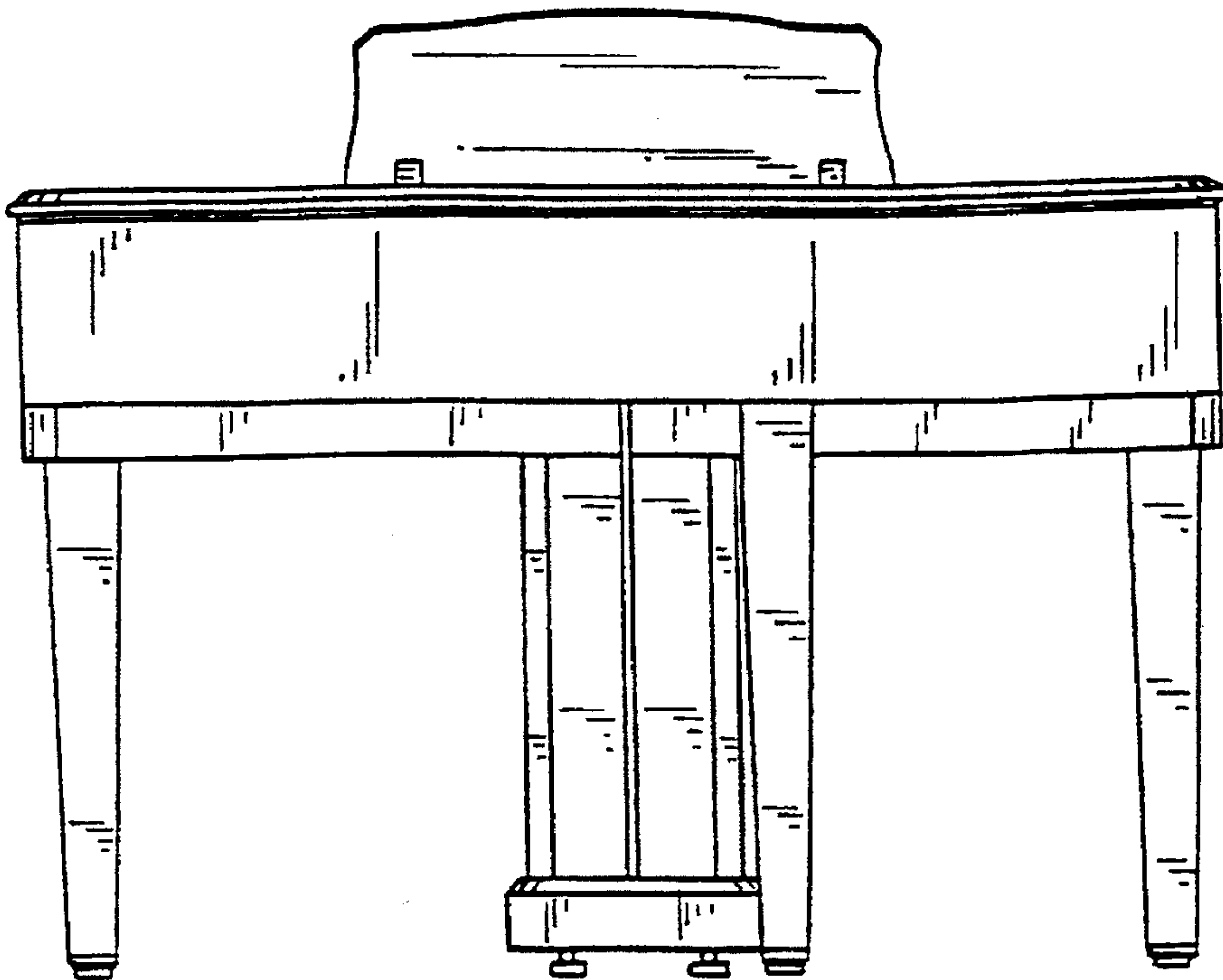


FIG. 4

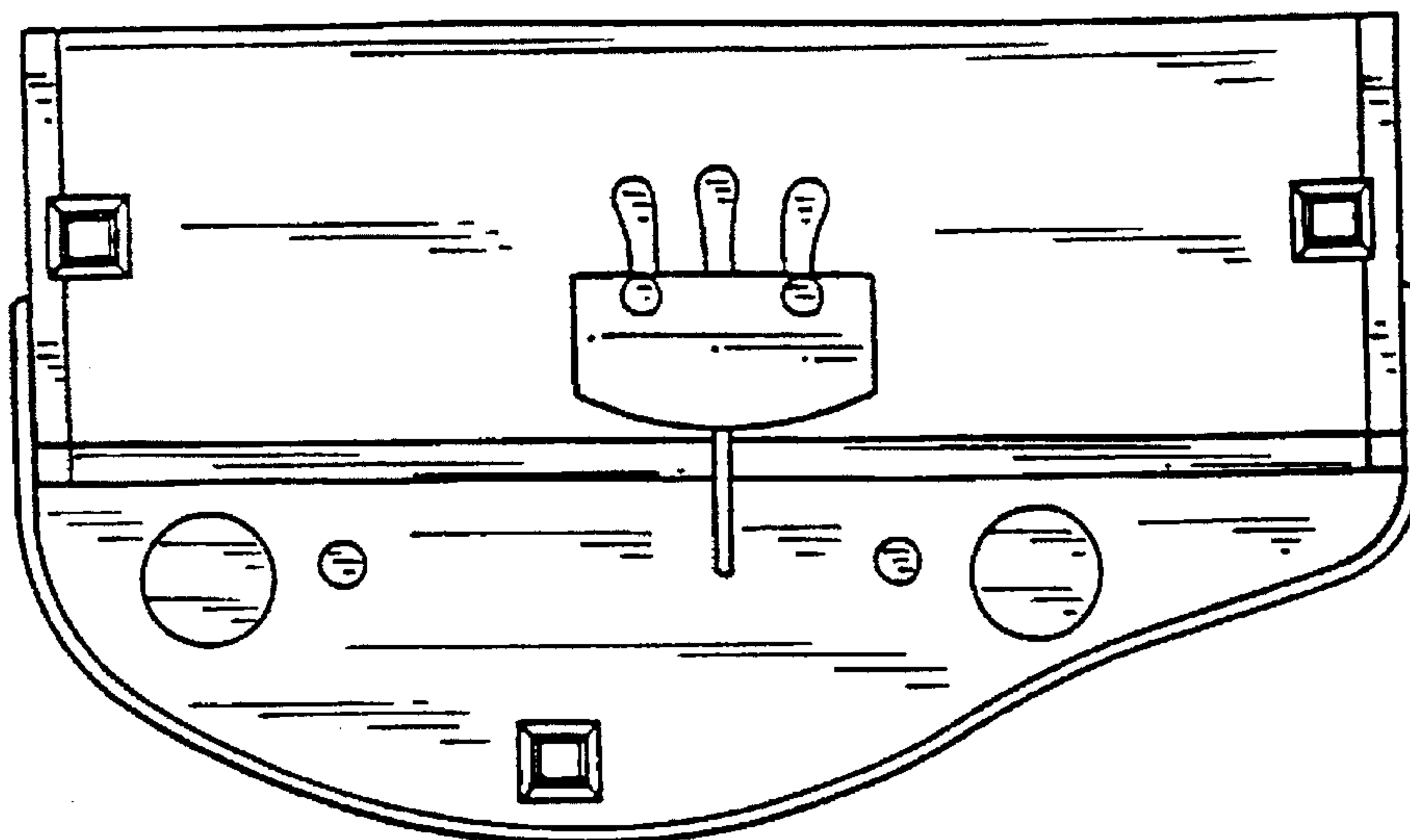


FIG. 5

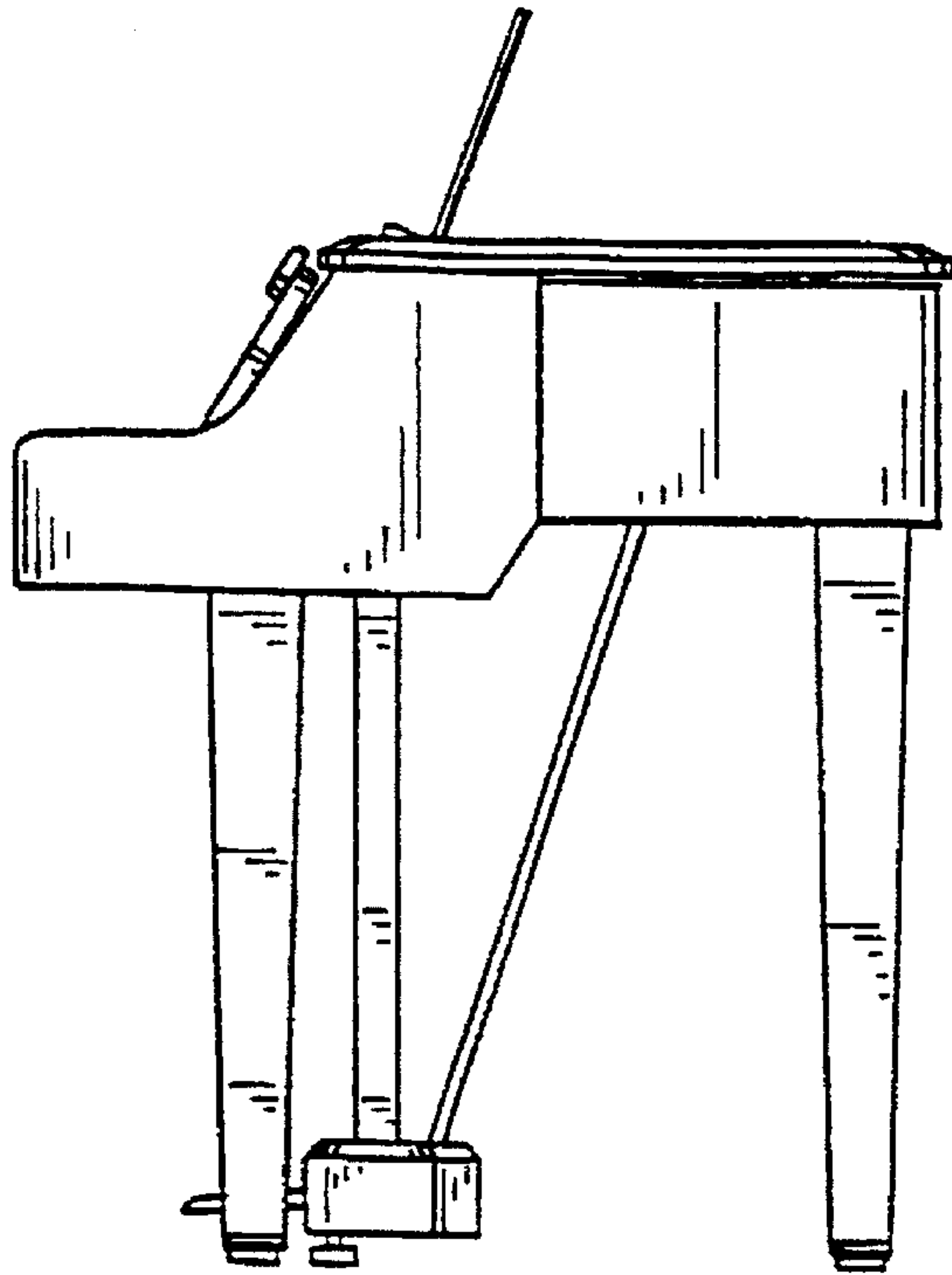


FIG. 6

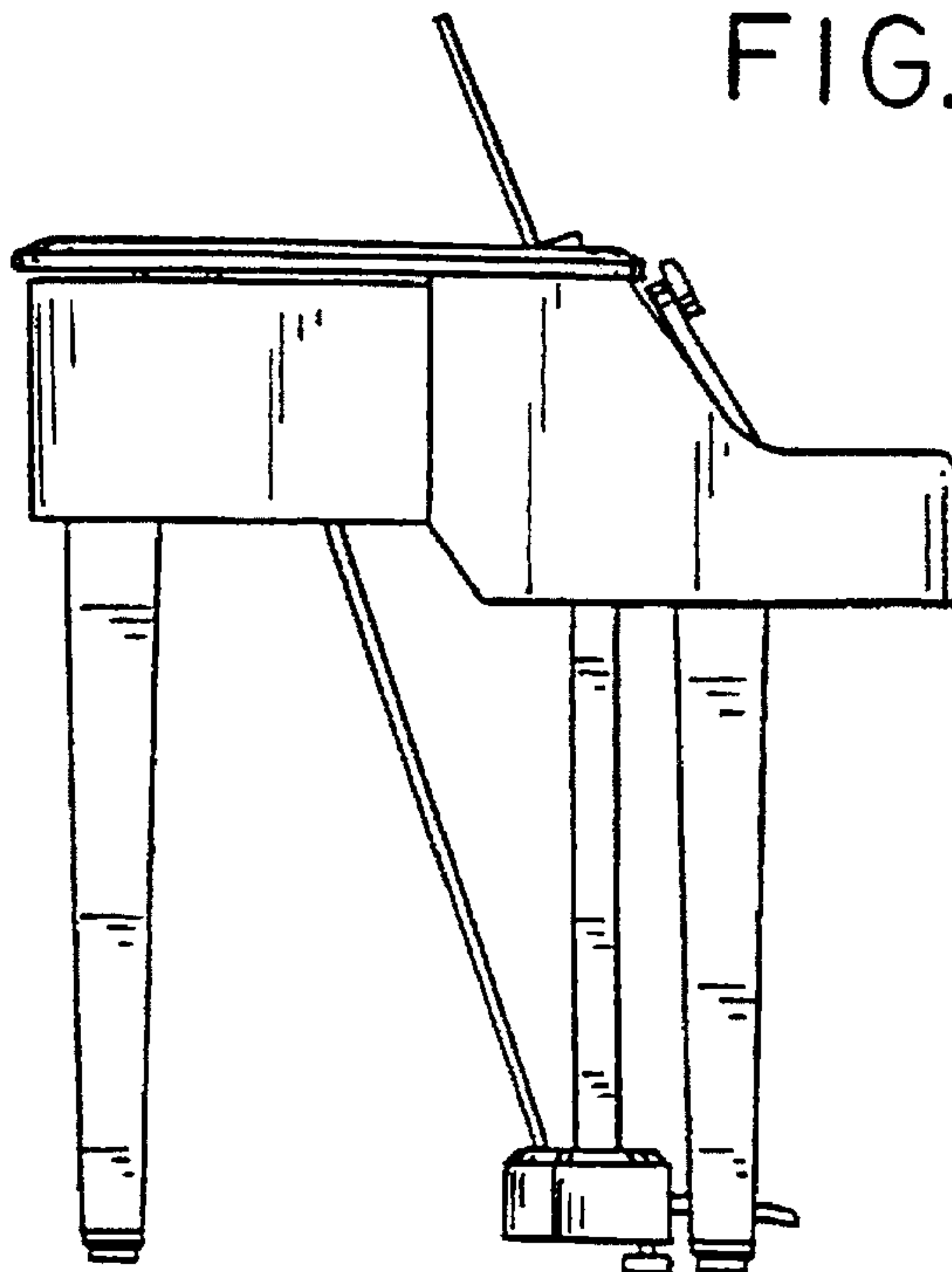




FIG. 7

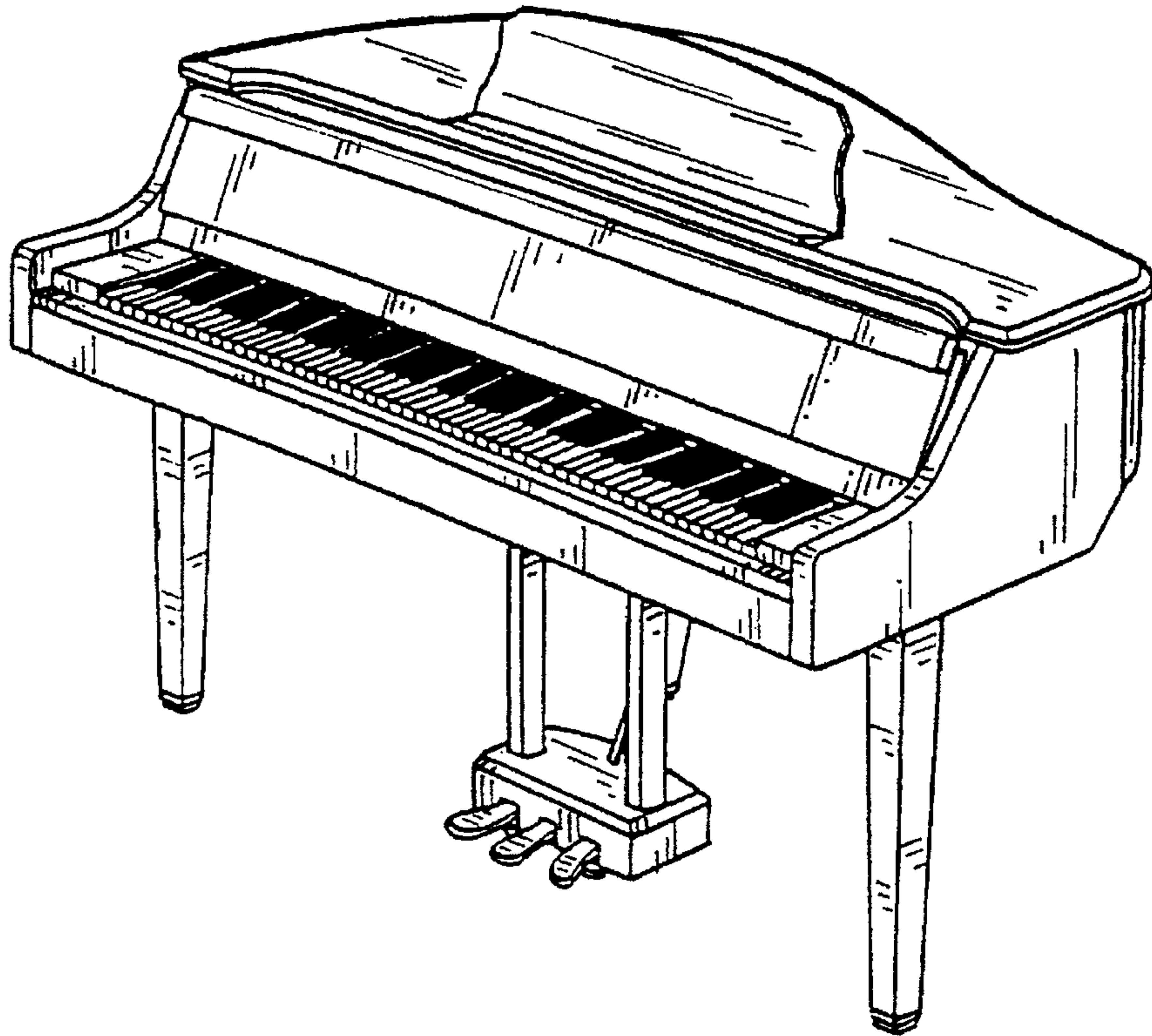


FIG. 8

