



US00D382004S

# United States Patent [19]

Bucci et al.

[11] Patent Number: **Des. 382,004**

[45] Date of Patent: **\*\*Aug. 5, 1997**

[54] **EYE GLASS LOCATOR**

[76] Inventors: **Cynthia Bucci; William Bucci**, both of  
12 Wendell St., North Providence, R.I.  
02911

[\*\*] Term: **14 Years**

[21] Appl. No.: **55,019**

[22] Filed: **May 28, 1996**

[51] LOC (6) Cl. .... **16-06**

[52] U.S. Cl. .... **D16/330; D10/104**

[58] Field of Search ..... D16/330; D8/394,  
D8/395; 351/158; 2/12, 13, 449; D10/104,  
106, 116

[56] **References Cited**

**U.S. PATENT DOCUMENTS**

D. 202,294	9/1965	Heifetz	.....	D8/394
D. 277,168	1/1985	Clausen et al.	.....	D8/394
D. 312,773	12/1990	Salinas	.....	D8/395
D. 346,339	4/1994	Lintick	.....	D10/104

D. 349,662	8/1994	Butcher et al.	.....	D10/104
3,856,007	12/1974	Leight	.....	351/158
5,046,192	9/1991	Ryder	.....	2/12
5,335,025	8/1994	Wang	.....	2/13
5,504,541	4/1996	Kolton et al.	.....	351/158
5,543,864	8/1996	Hirschman et al.	.....	2/449

*Primary Examiner*—Raphael Barkai  
*Attorney, Agent, or Firm*—Harold H. Dutton, Jr.; Diane F. Liebman

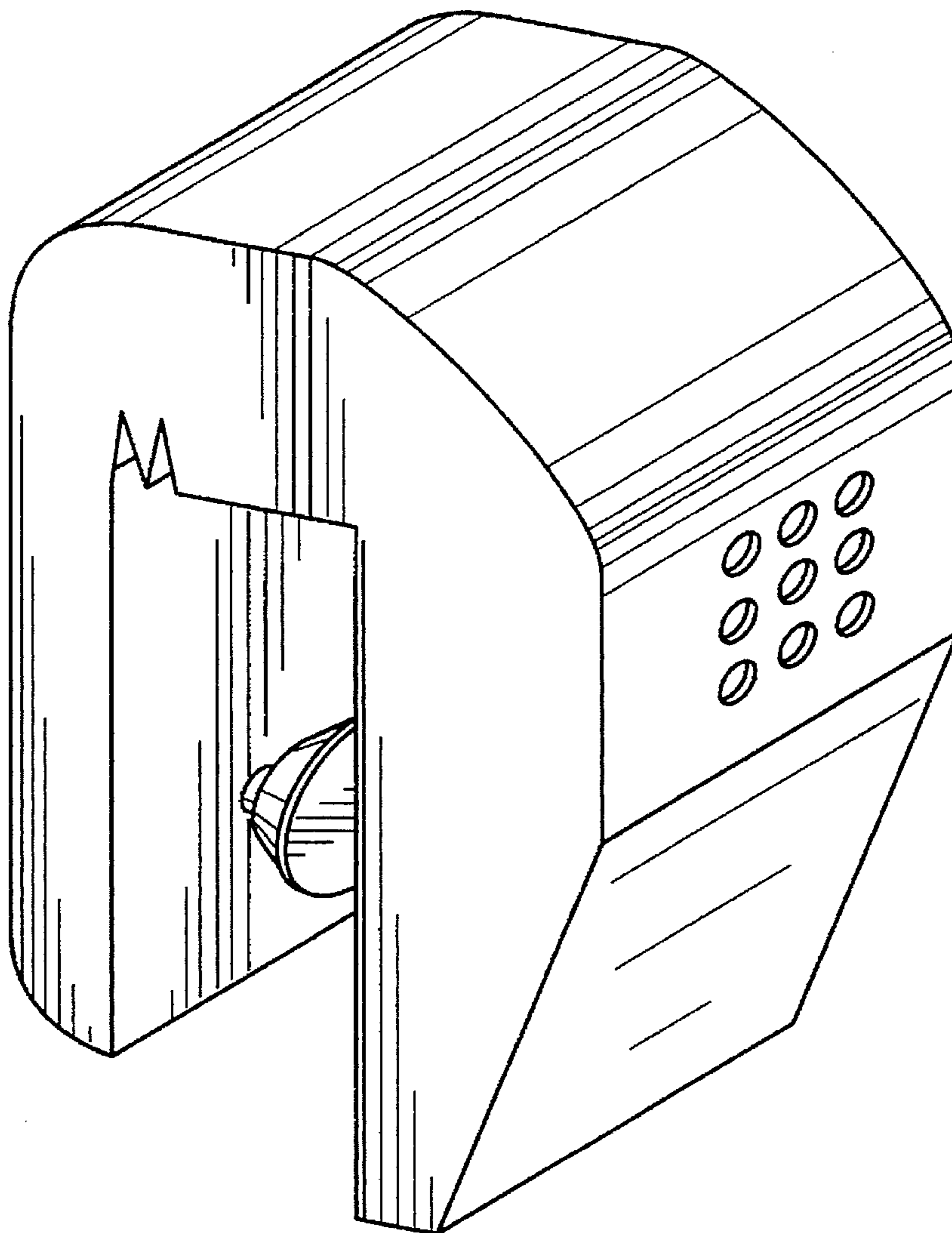
[57] **CLAIM**

The ornamental design for an eye glass locator, as shown.

**DESCRIPTION**

FIG. 1 is a perspective view of an eye glass locator showing our new design;  
FIG. 2 is a front view thereof;  
FIG. 3 is a rear view thereof;  
FIG. 4 is a right view thereof;  
FIG. 5 is a left view thereof;  
FIG. 6 is a top view thereof; and,  
FIG. 7 is a bottom view thereof.

**1 Claim, 4 Drawing Sheets**



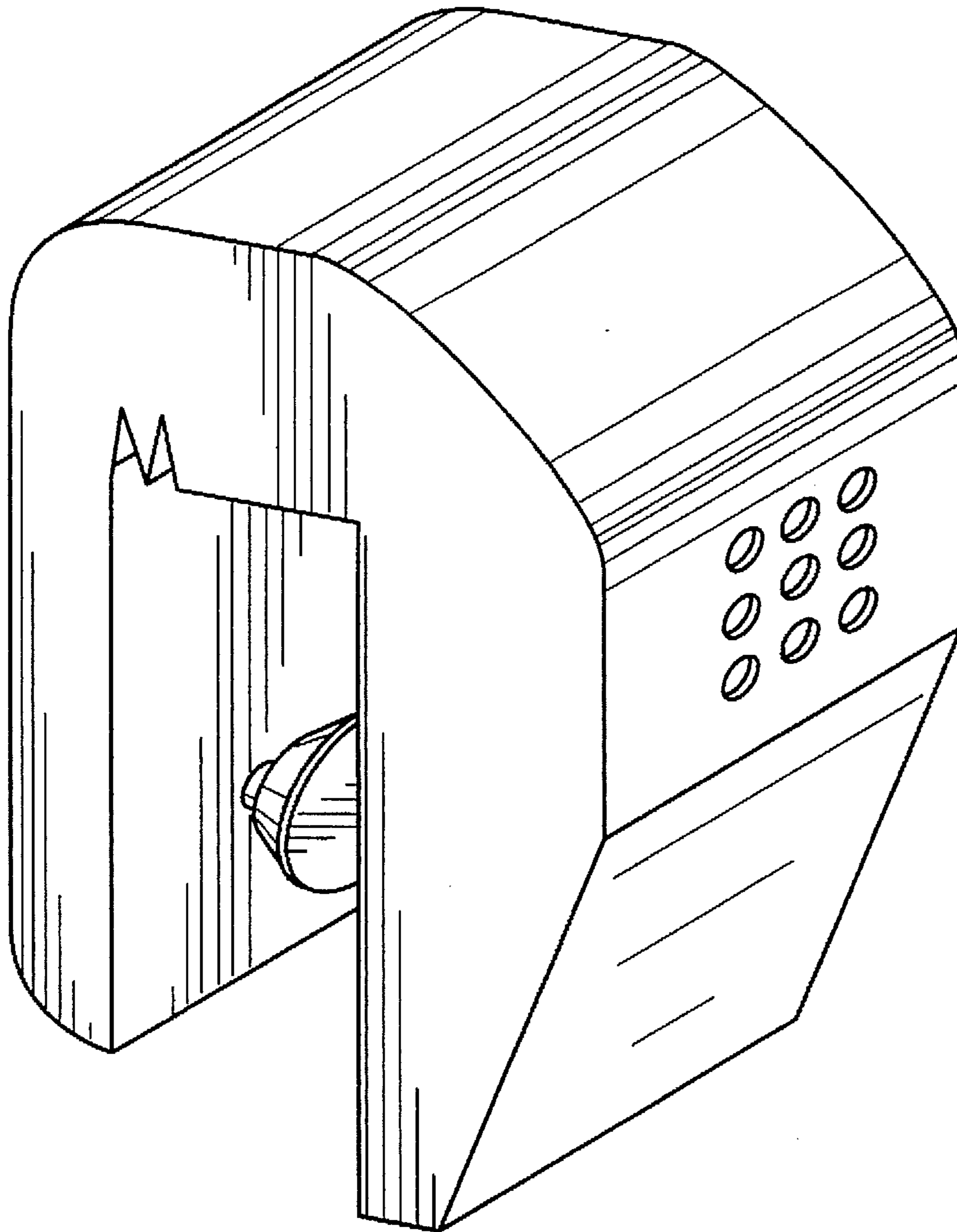


FIG. 1

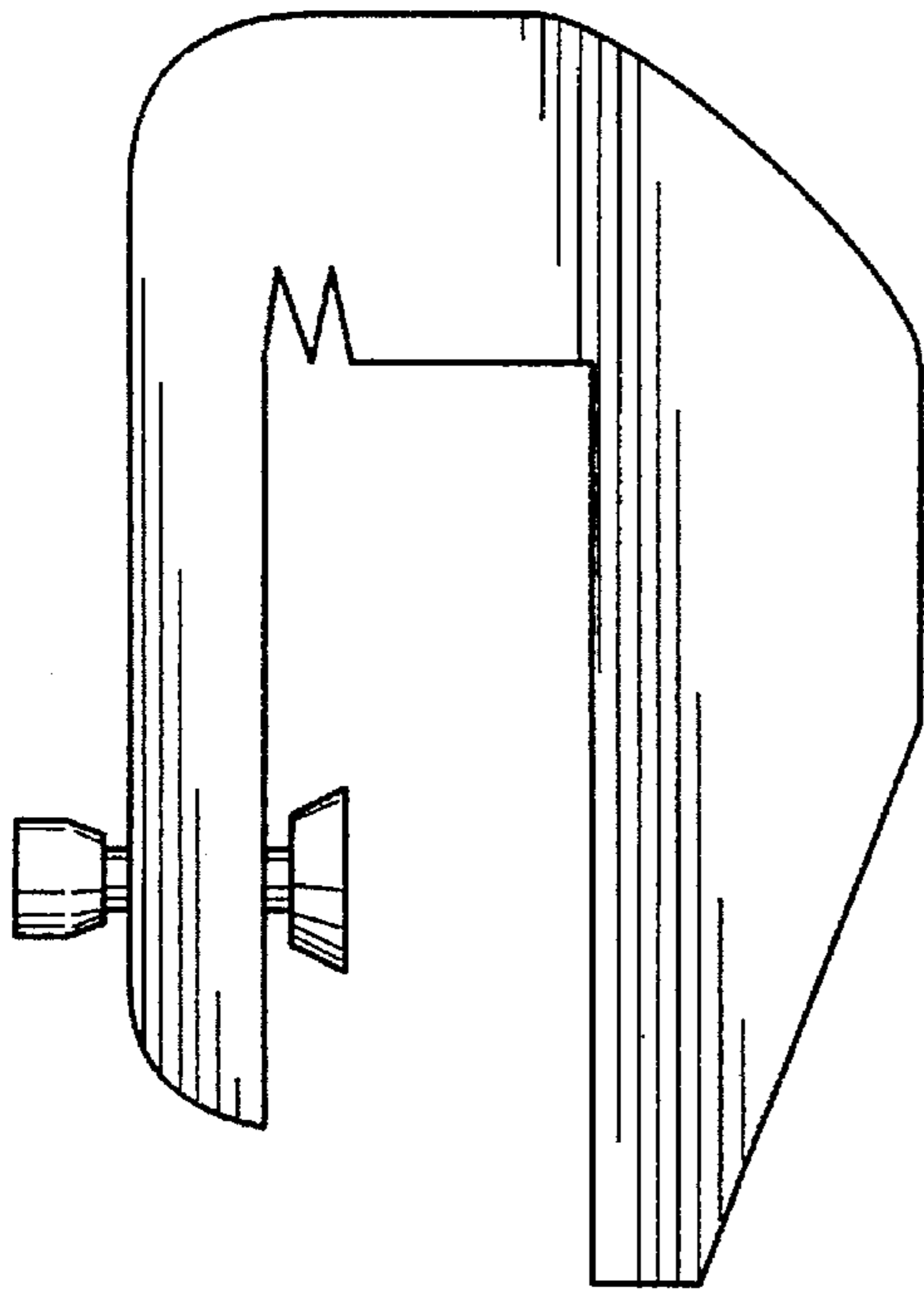


FIG. 2

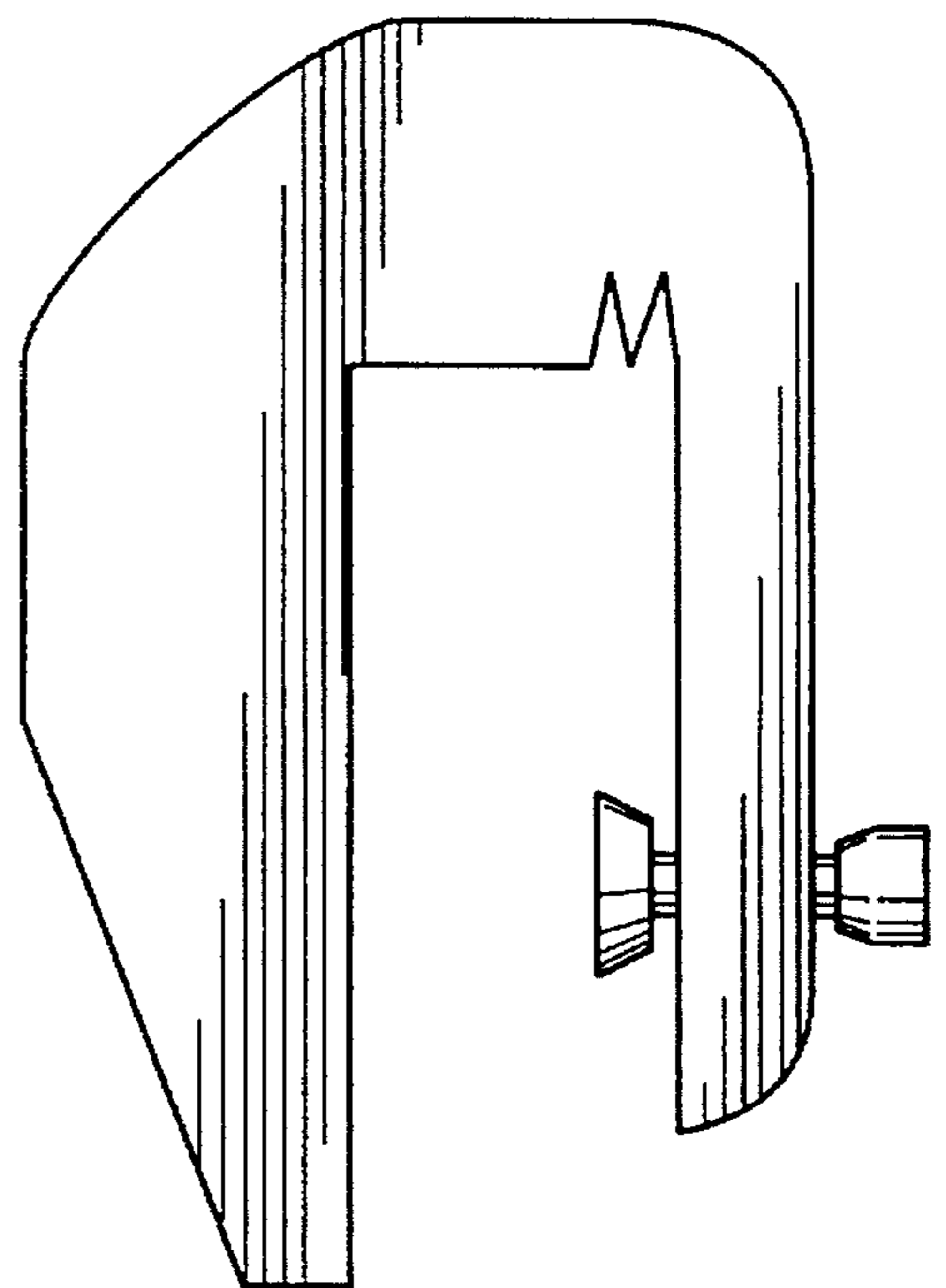


FIG. 3

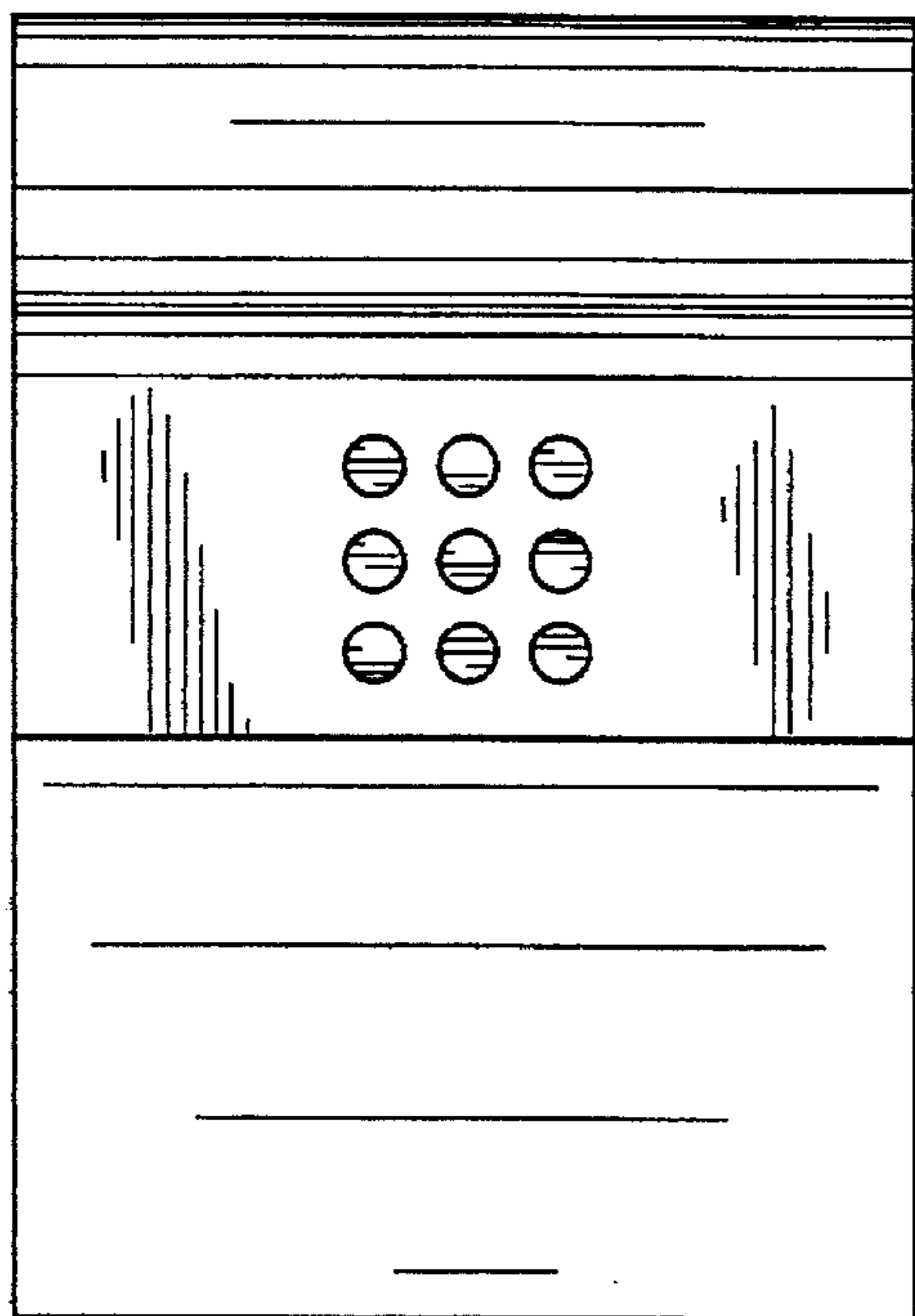


FIG. 4

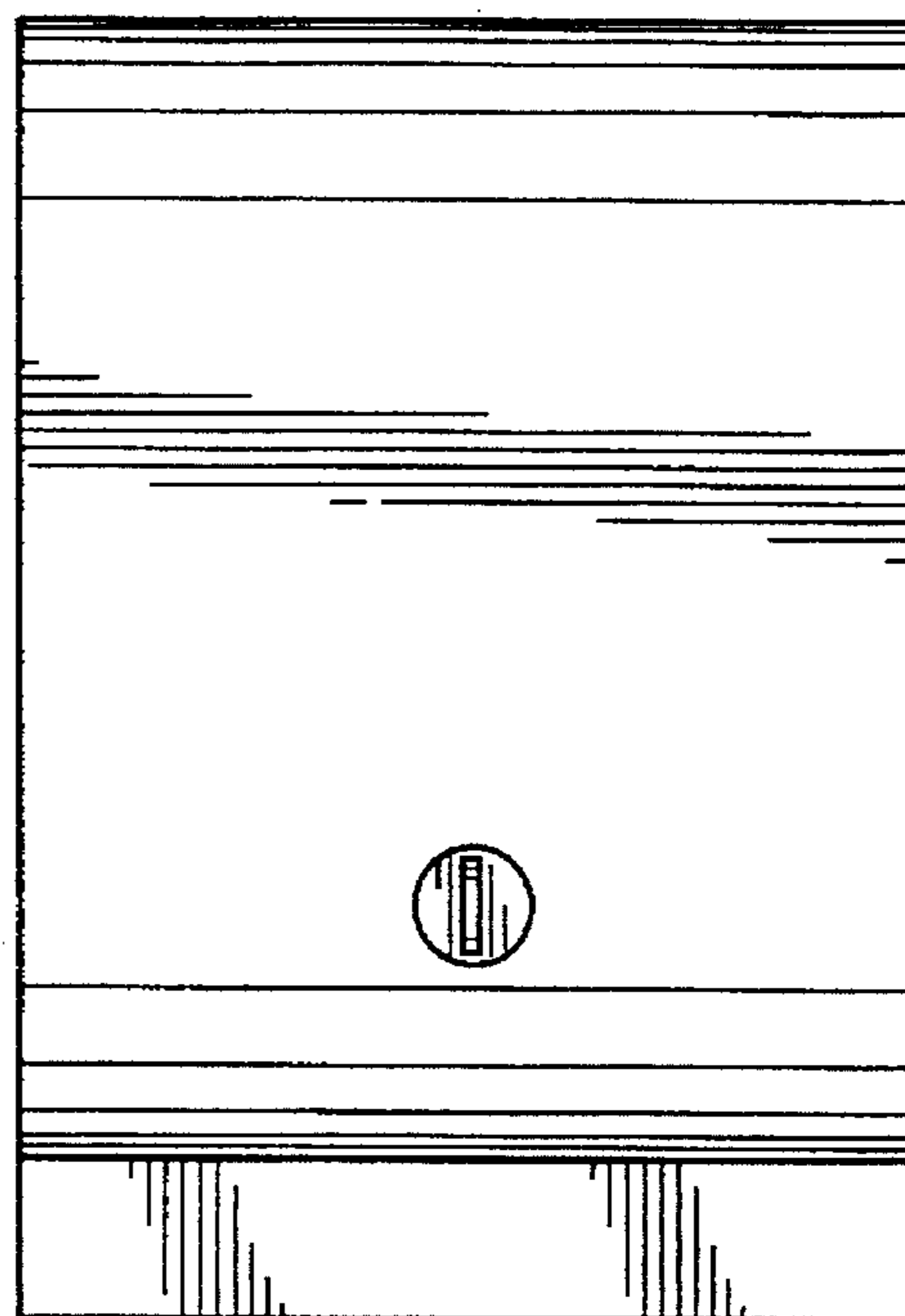


FIG. 5

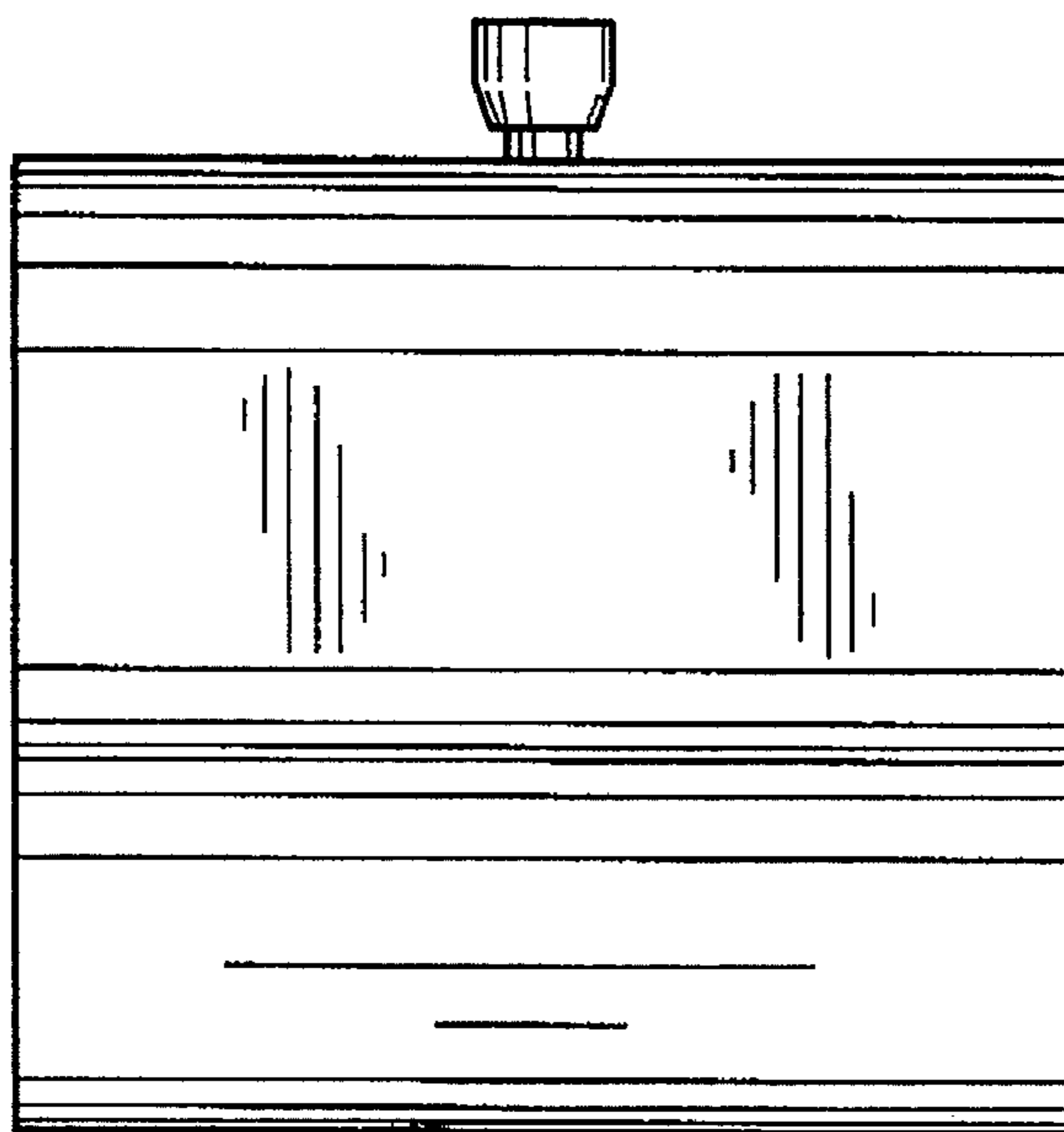


FIG. 6

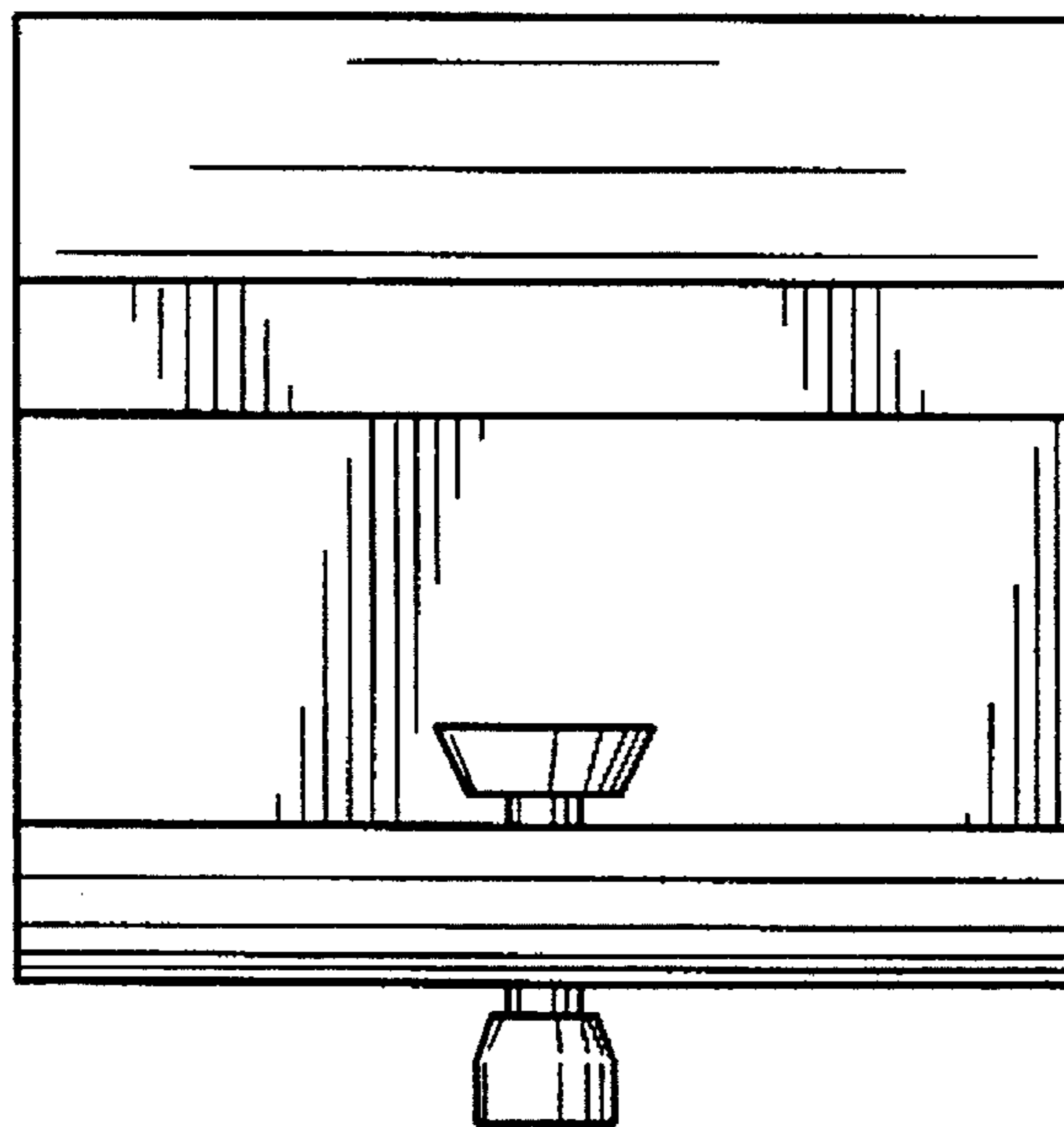


FIG. 7