



US00D382001S

# United States Patent [19]

Wang

[11] Patent Number: **Des. 382,001**

[45] Date of Patent: **\*\*Aug. 5, 1997**

## [54] FLASH CONTROLLER

[76] Inventor: **Ming Hsien Wang**, 3Fl., No. 369, Ta-Nan Rd., Taipei, Taiwan

[\*\*] Term: **14 Years**

[21] Appl. No.: **48,194**

[22] Filed: **Dec. 22, 1995**

[51] LOC (6) Cl. .... **16-05**

[52] U.S. Cl. .... **D16/219; D26/37**

[58] Field of Search ..... D16/200, 202, D16/209, 219, 220, 237, 239, 240; 358/110, 111, 113, 160; D26/37-50

## [56] References Cited

### U.S. PATENT DOCUMENTS

- D. 158,628 5/1950 Dyck ..... D16/219
- D. 298,634 11/1988 Yuen ..... D26/44
- D. 316,421 4/1991 Shinano et al. .... D10/219
- D. 350,618 9/1994 Parker ..... D26/37

Primary Examiner—Marcus A. Jackson

Attorney, Agent, or Firm—Pro-Techtor International

## [57] CLAIM

The ornamental design for a flash controller, as shown and described.

## DESCRIPTION

FIG. 1 is a top, front and left side perspective view of a flash controller showing my new design;

FIG. 2 is a front elevational view of a flash controller showing my new design;

FIG. 3 is a rear view of a flash controller showing my new design;

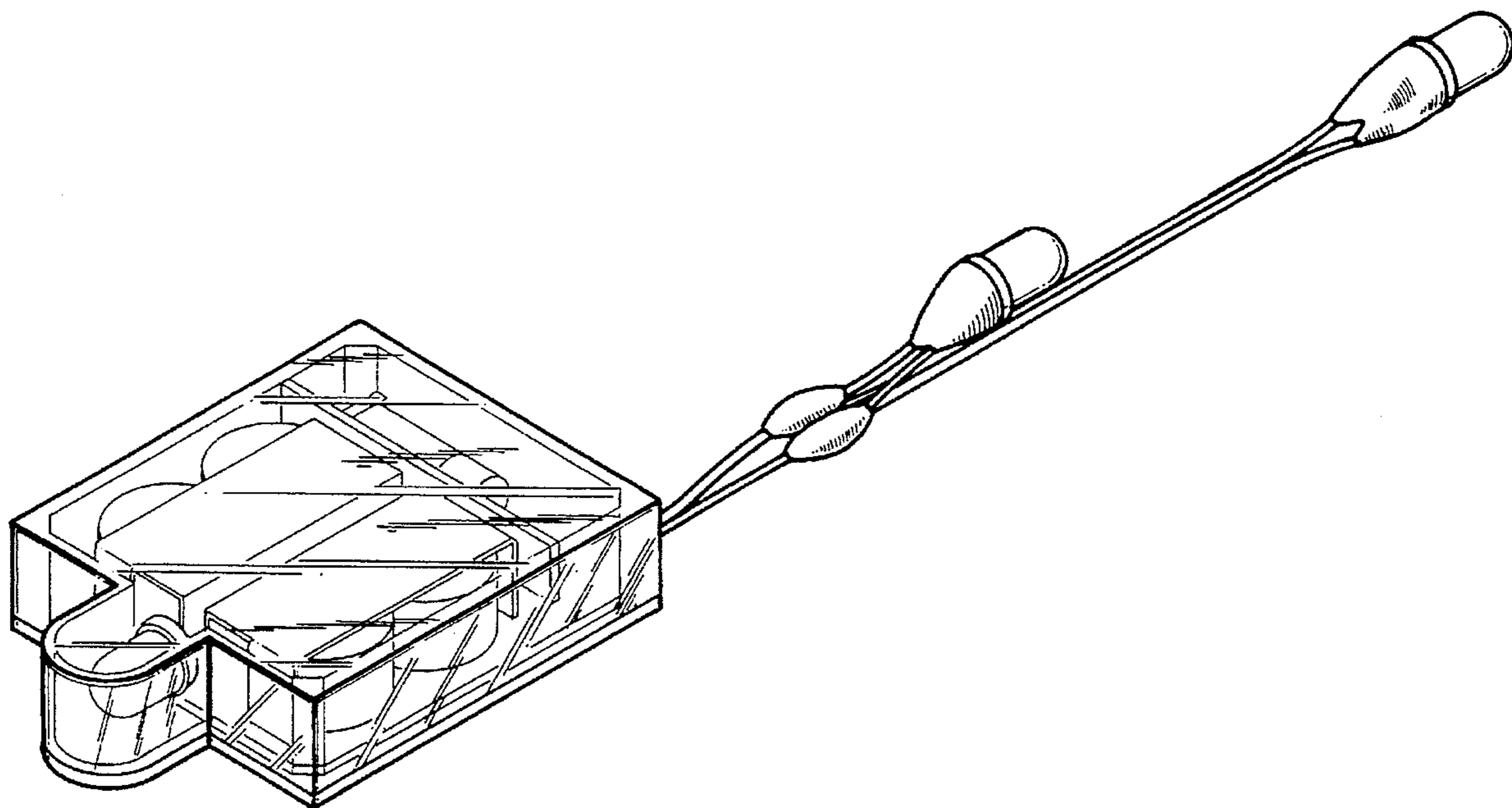
FIG. 4 is a top plan view of a flash controller showing my new design;

FIG. 5 is a bottom plan view of a flash controller showing my new design;

FIG. 6 is a right side view of a flash controller showing my new design; and,

FIG. 7 is a left side view of a flash controller showing my new design.

1 Claim, 3 Drawing Sheets



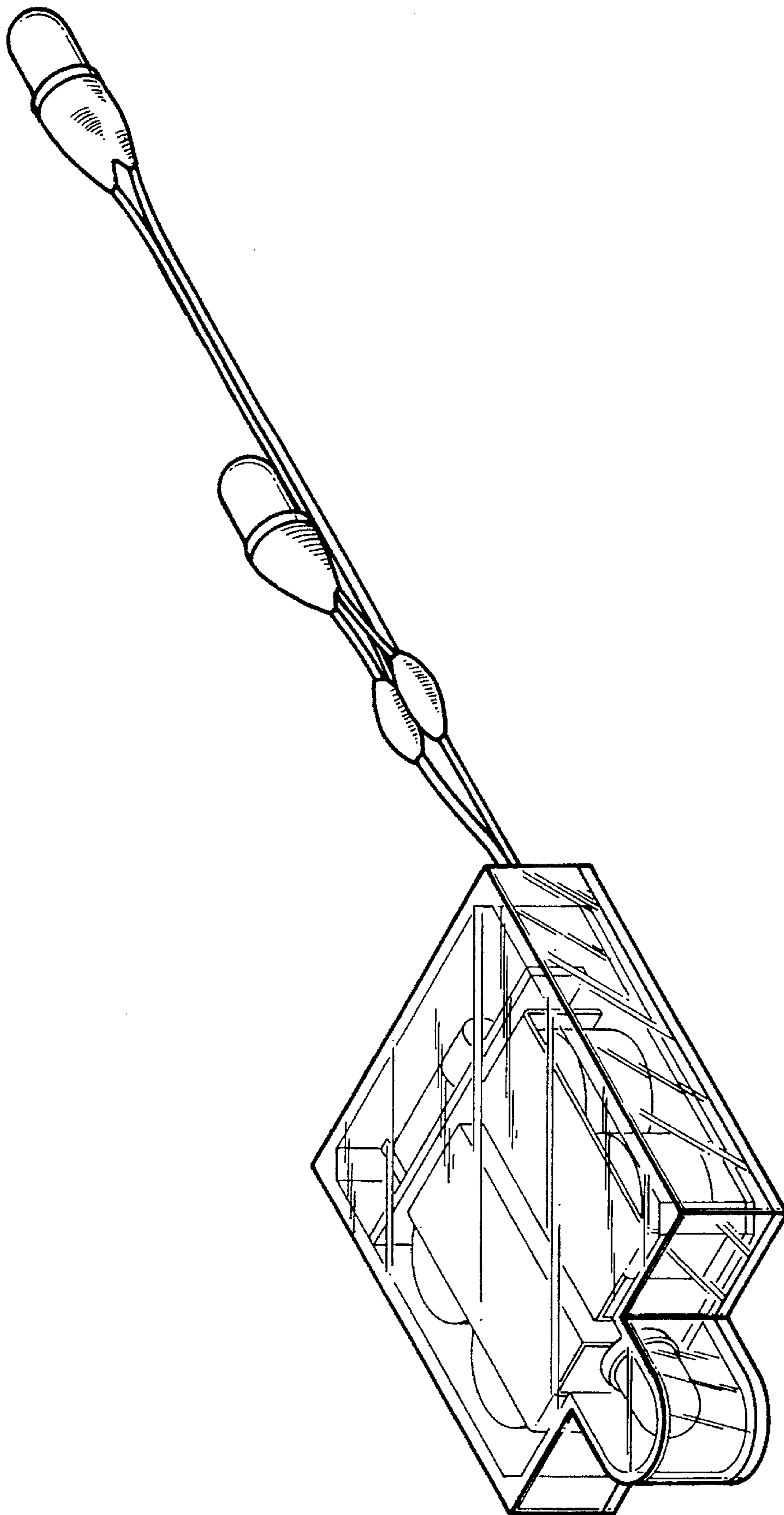


Fig. 1



Fig. 2

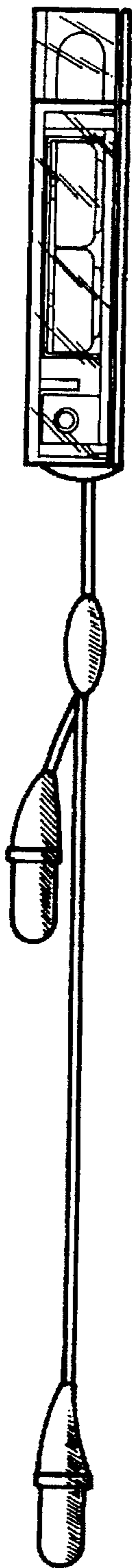


Fig. 3

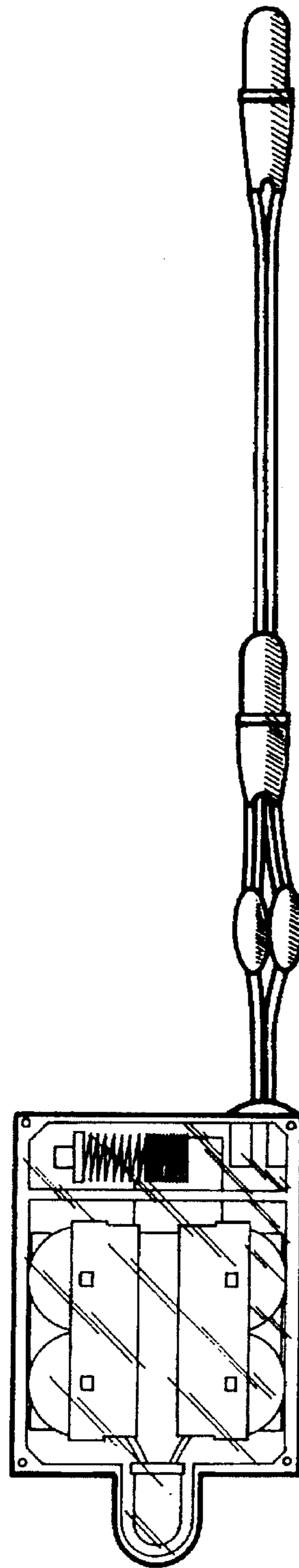


Fig. 4

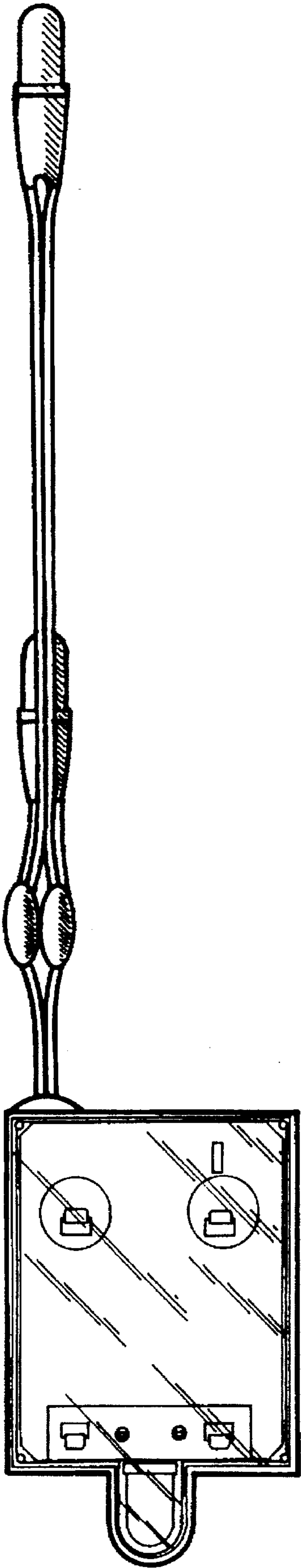


Fig. 5



Fig. 7

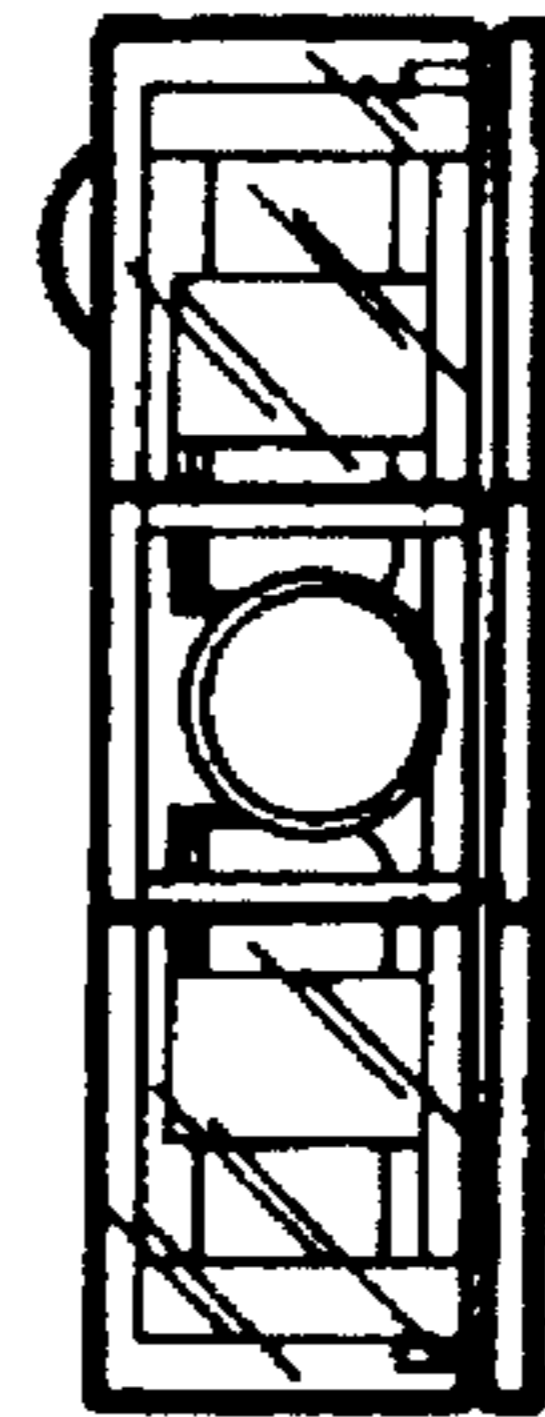


Fig. 6