



US00D382000S

United States Patent [19]

Watanabe

[11] Patent Number: **Des. 382,000**

[45] Date of Patent: ****Aug. 5, 1997**

[54] **SINGLE-LENS REFLEX CAMERA BODY**

[75] Inventor: **Akira Watanabe**, Tokyo, Japan

[73] Assignee: **Asahi Kogaku Kogyo Kabushiki Kaisha**, Tokyo, Japan

[**] Term: **14 Years**

[21] Appl. No.: **38,604**

[22] Filed: **May 9, 1995**

[30] Foreign Application Priority Data

Nov. 9, 1994 [JP] Japan 6-34126

[51] LOC (6) Cl. **16-01**

[52] U.S. Cl. **D16/217**

[58] Field of Search D16/200, 201,
D16/204, 205, 208, 209, 216-218; 354/126,
149.11, 152, 288

[56] References Cited

U.S. PATENT DOCUMENTS

- D. 327,900 7/1992 Tanaka et al. D16/217
- D. 329,656 9/1992 Shishikura D16/217
- D. 356,102 3/1995 Haga D16/217

- D. 363,301 10/1995 Giugiaro et al. D16/217
- 4,417,796 11/1983 Sugiura et al. 354/152

FOREIGN PATENT DOCUMENTS

- 57-167017 10/1982 Japan 354/288

Primary Examiner—Ted Shooman
Assistant Examiner—Adir Aronovich
Attorney, Agent, or Firm—Sughrue, Mion, Zinn, Macpeak & Seas

[57] CLAIM

The ornamental design for a single-lens reflex camera body, as shown.

DESCRIPTION

FIG. 1 is a perspective view of the top, front and right side of a single-lens reflex camera body showing my new design; FIG. 2 is a front elevational view thereof; FIG. 3 is a top plan view thereof; FIG. 4 is a left side elevational view thereof; FIG. 5 is a right side elevational view thereof; FIG. 6 is a rear elevational view thereof; and, FIG. 7 is a bottom plan view thereof.

1 Claim, 3 Drawing Sheets

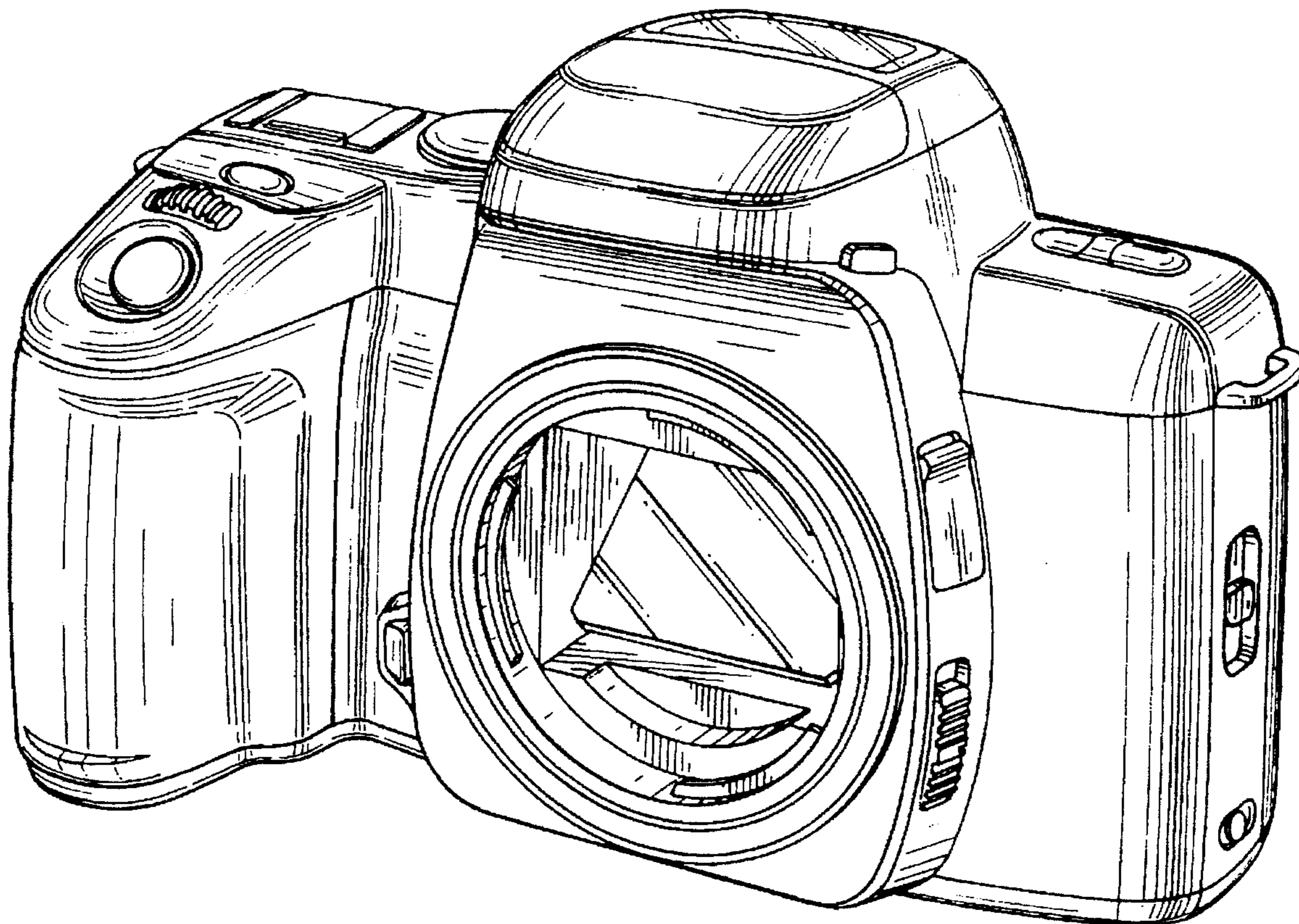


FIG. 1

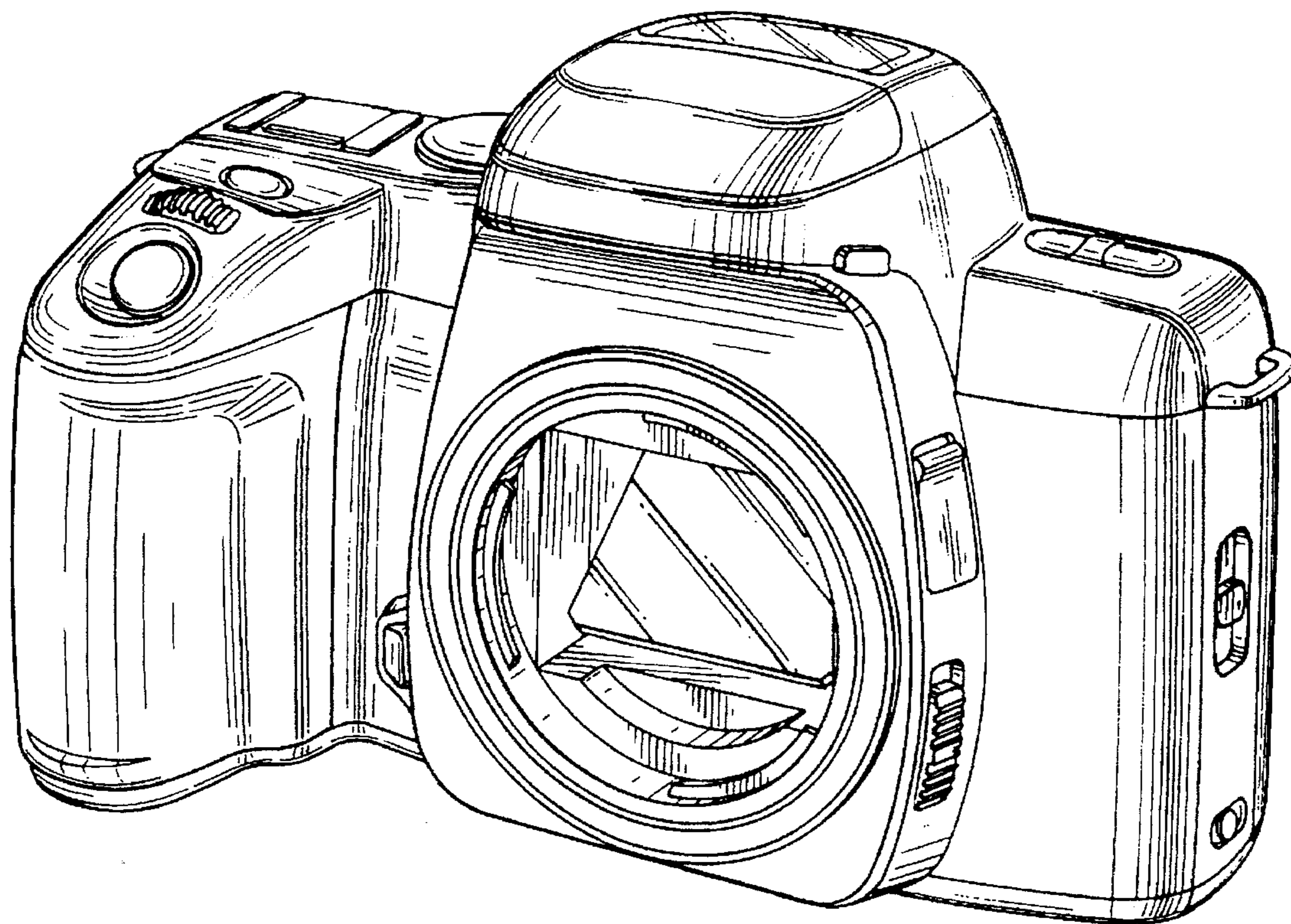


FIG. 2

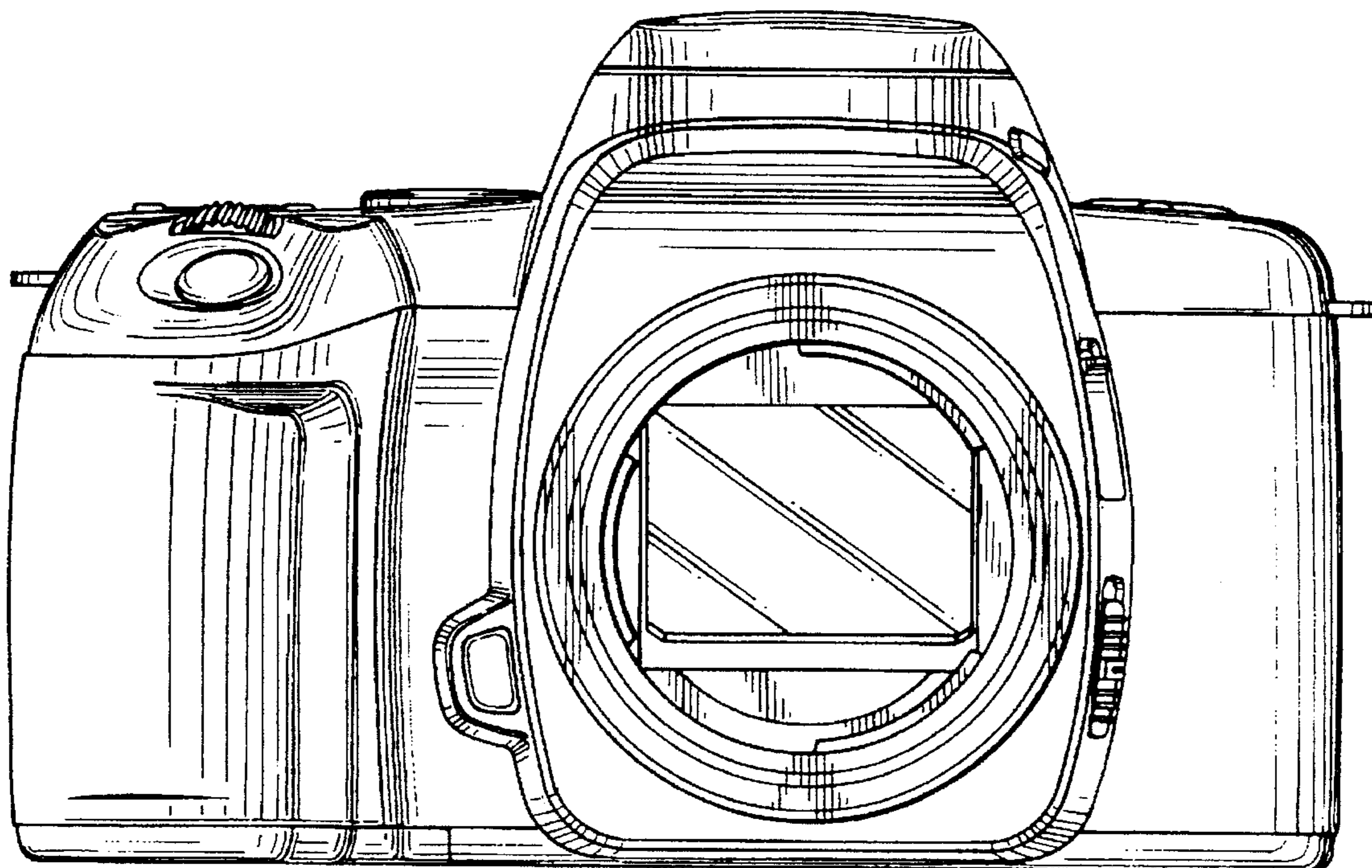


FIG. 3

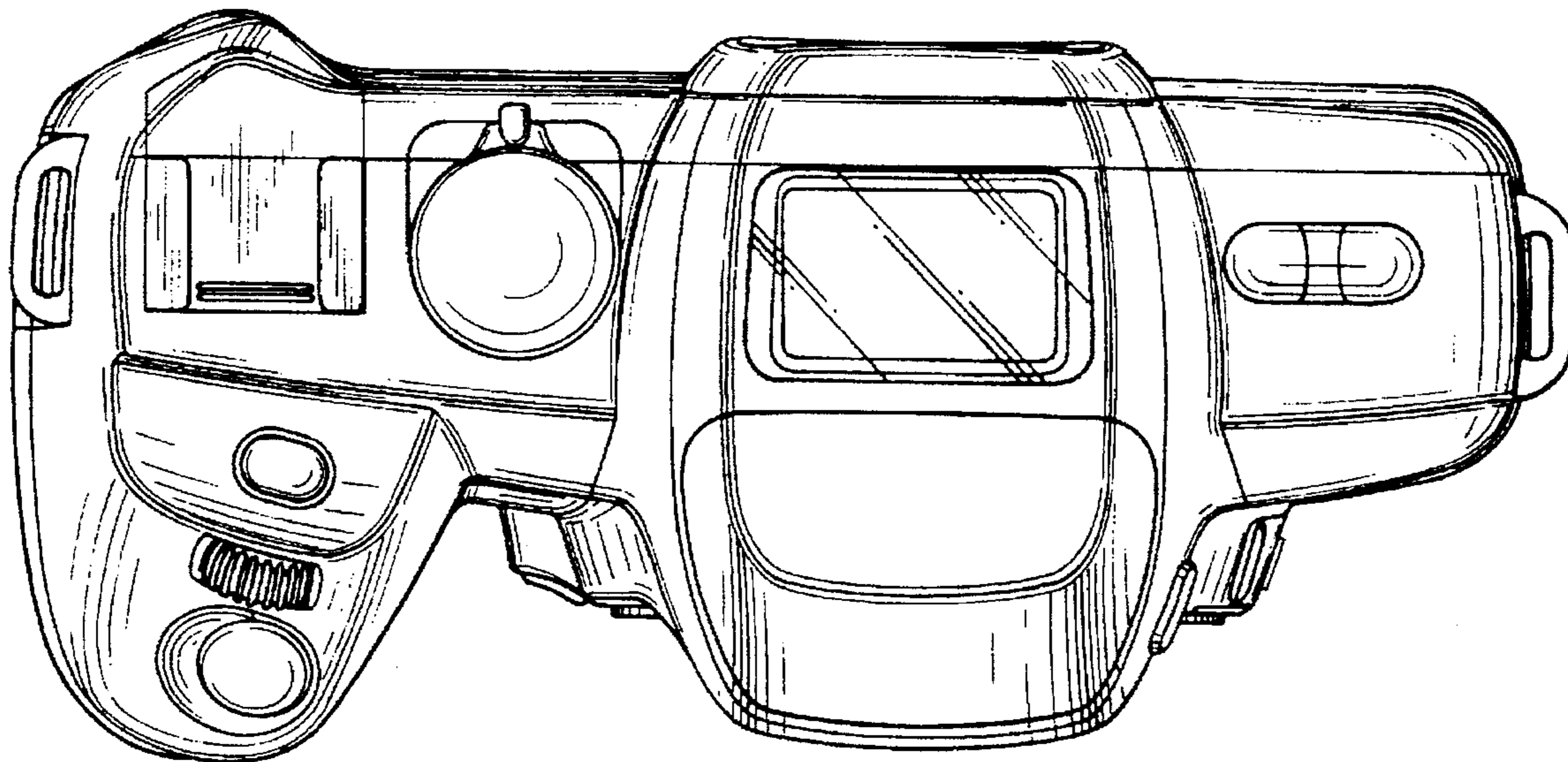


FIG. 4

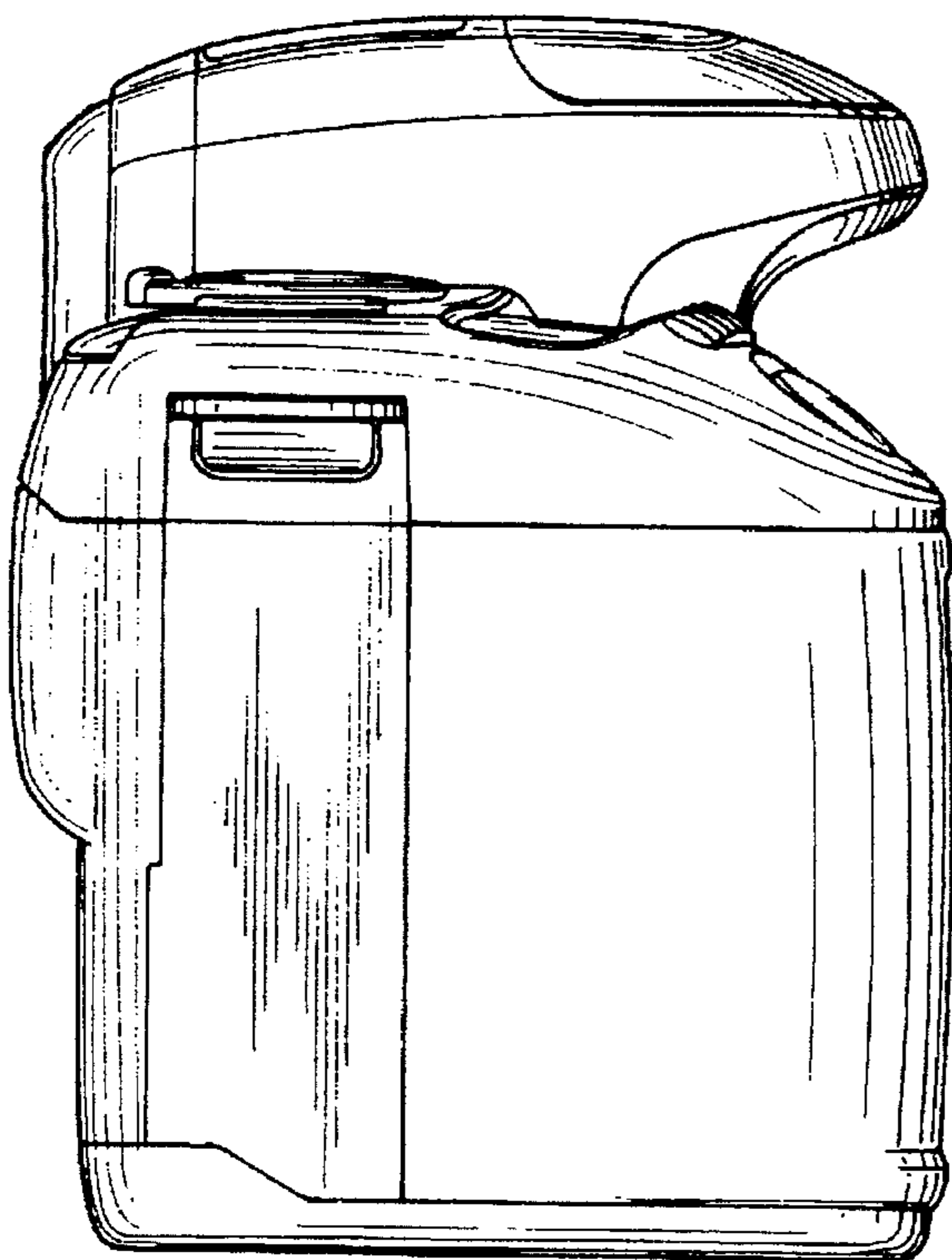


FIG. 5

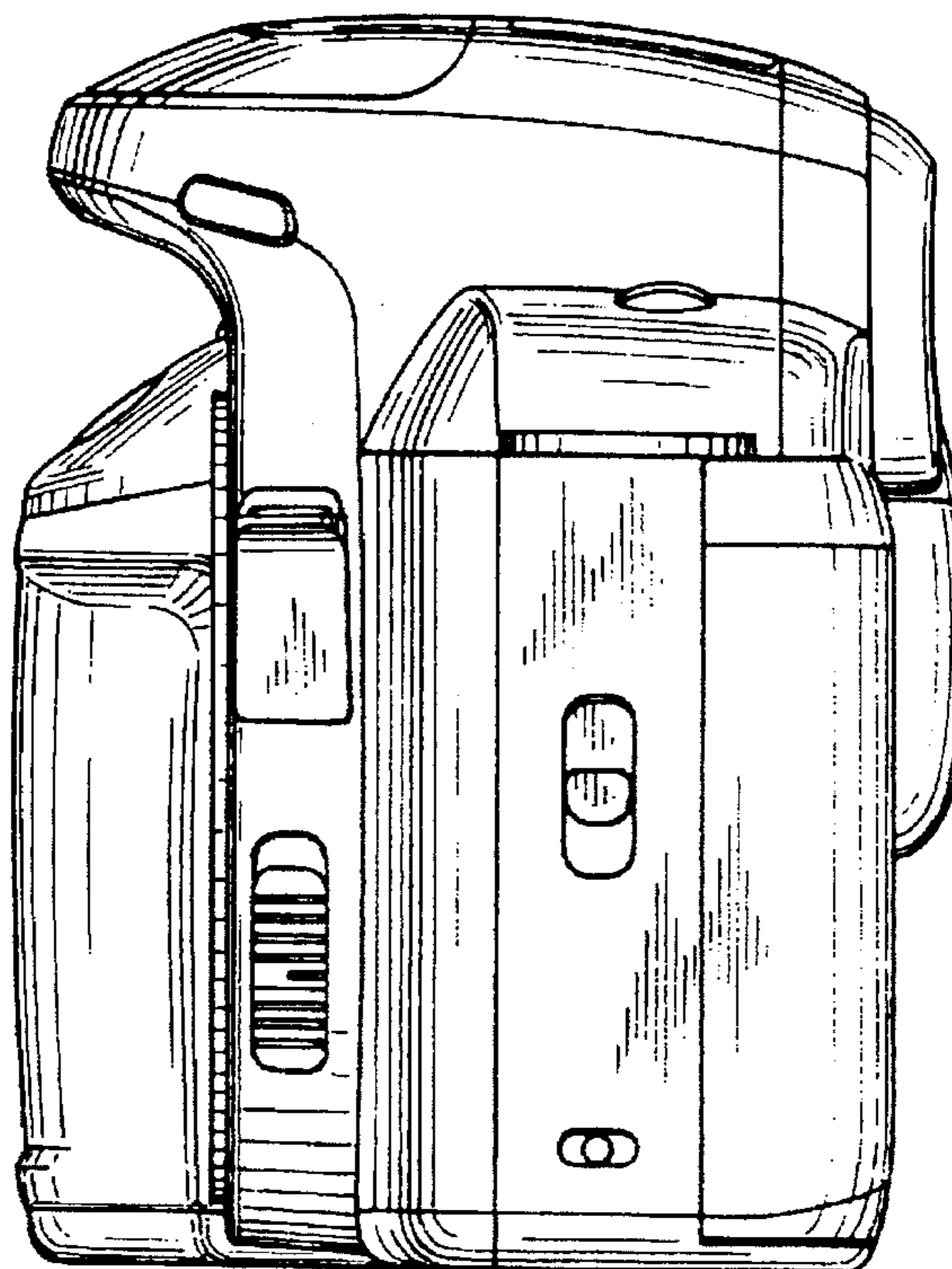


FIG. 6

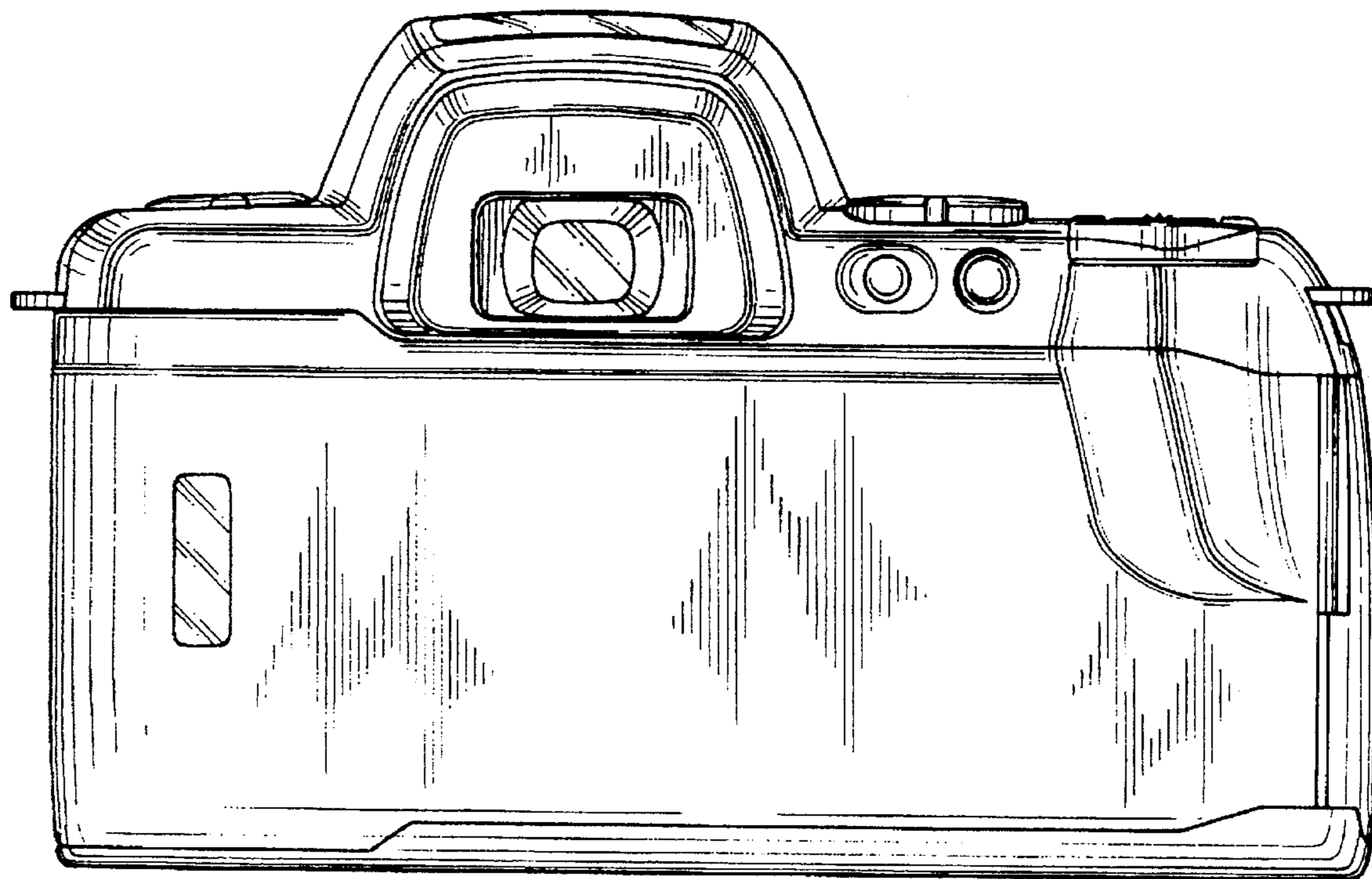


FIG. 7

