



US00D381998S

United States Patent [19] Koinuma

[11] Patent Number: **Des. 381,998**
[45] Date of Patent: ****Aug. 5, 1997**

[54] **35 MM CAMERA** 4,924,248 5/1990 Taniguchi et al. 354/195.1
4,990,945 2/1991 Cho et al. 354/195.12
[75] Inventor: **Masahiro Koinuma**, Tokyo, Japan
[73] Assignee: **Asahi Kogaku Kogyo Kabushiki Kaisha**, Tokyo, Japan
[**] Term: **14 Years**
[21] Appl. No.: **53,591**
[22] Filed: **Apr. 24, 1996**
[30] **Foreign Application Priority Data**
Oct. 24, 1995 [JP] Japan 7-31880
[51] **LOC (6) Cl.** **16-01**
[52] **U.S. Cl.** **D16/209; D16/218**
[58] **Field of Search** **D16/200-205, D16/208, 209, 211-213, 216-218; 354/126, 149.11, 202, 288, 195.1, 195.12**

Primary Examiner—Philip S. Hyder
Assistant Examiner—Adir Aronovich
Attorney, Agent, or Firm—Sughrue, Mion, Zinn, Macpeak & Seas

[57] CLAIM

The ornamental design for a 35 MM camera, as shown and described.

DESCRIPTION

FIG. 1 is a perspective view of the front, top and right side of a 35 MM camera showing my new design; FIG. 2 is a front elevational view thereof; FIG. 3 is a top plan view thereof; FIG. 4 is a left side elevational view thereof; FIG. 5 is a right side elevational view thereof; FIG. 6 is a rear elevational view thereof; FIG. 7 is a bottom plan view thereof; FIG. 8 is a front, top and right side view thereof with the lens partially extended and the flash in an alternate position; and, FIG. 9 is a view similar to FIG. 8 with the lens fully extended.

[56] References Cited

U.S. PATENT DOCUMENTS

D. 357,265 4/1995 Hamamura D16/209
D. 359,298 6/1995 Matsuda D16/209
D. 359,299 6/1995 Moro et al. D16/218
D. 370,923 6/1996 Hayashi D16/209

1 Claim, 4 Drawing Sheets

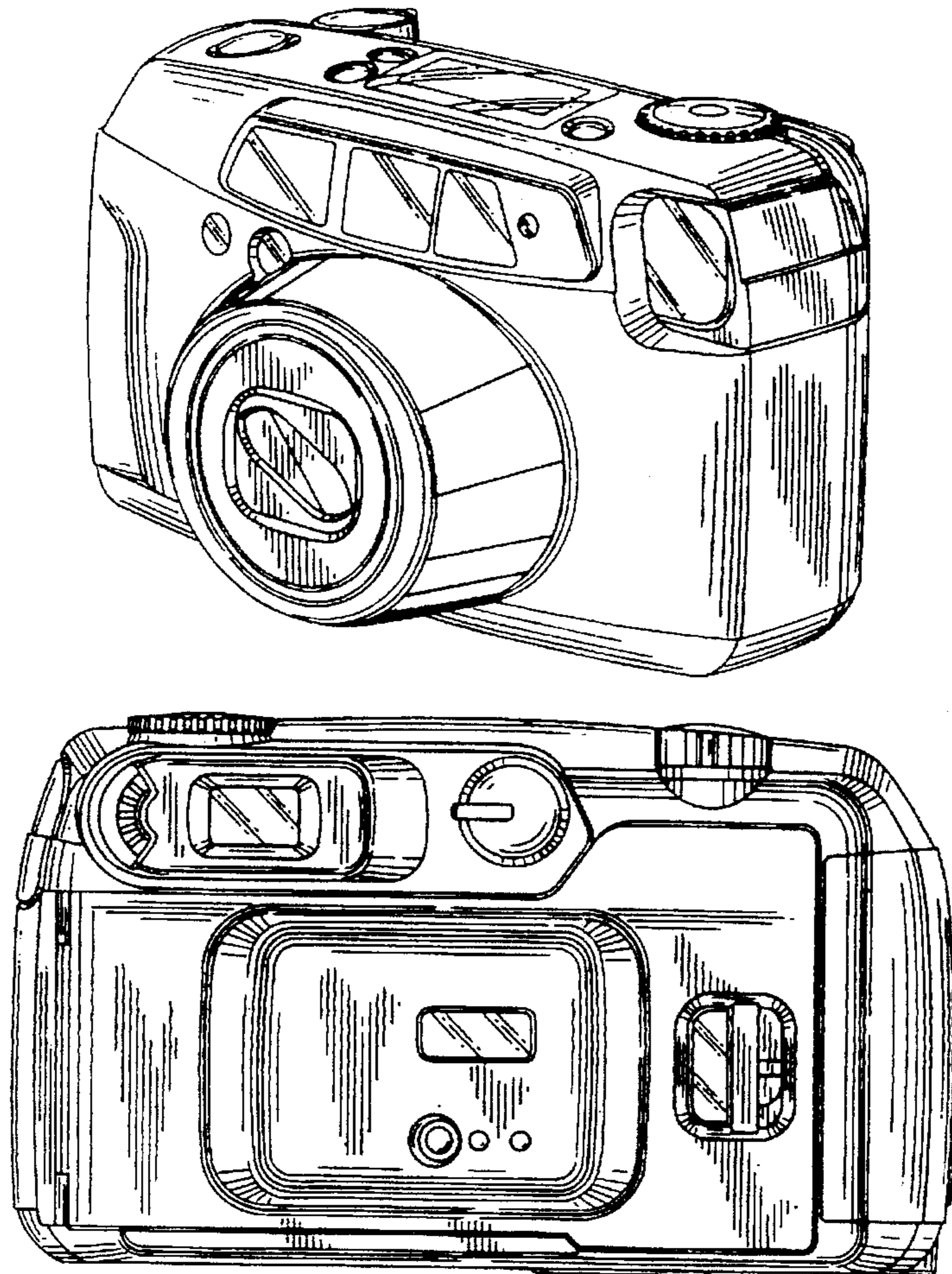


FIG. 1

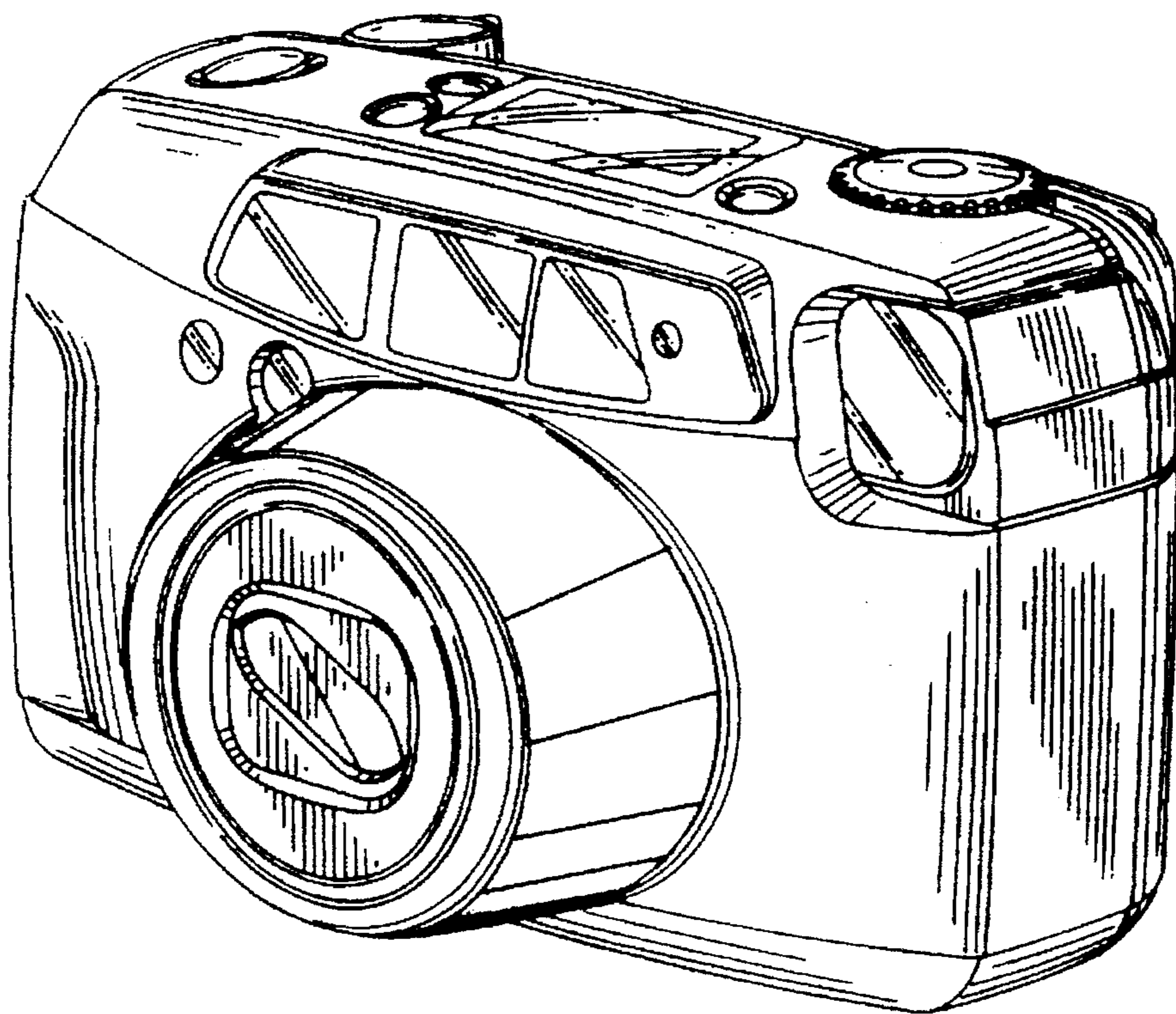


FIG. 2

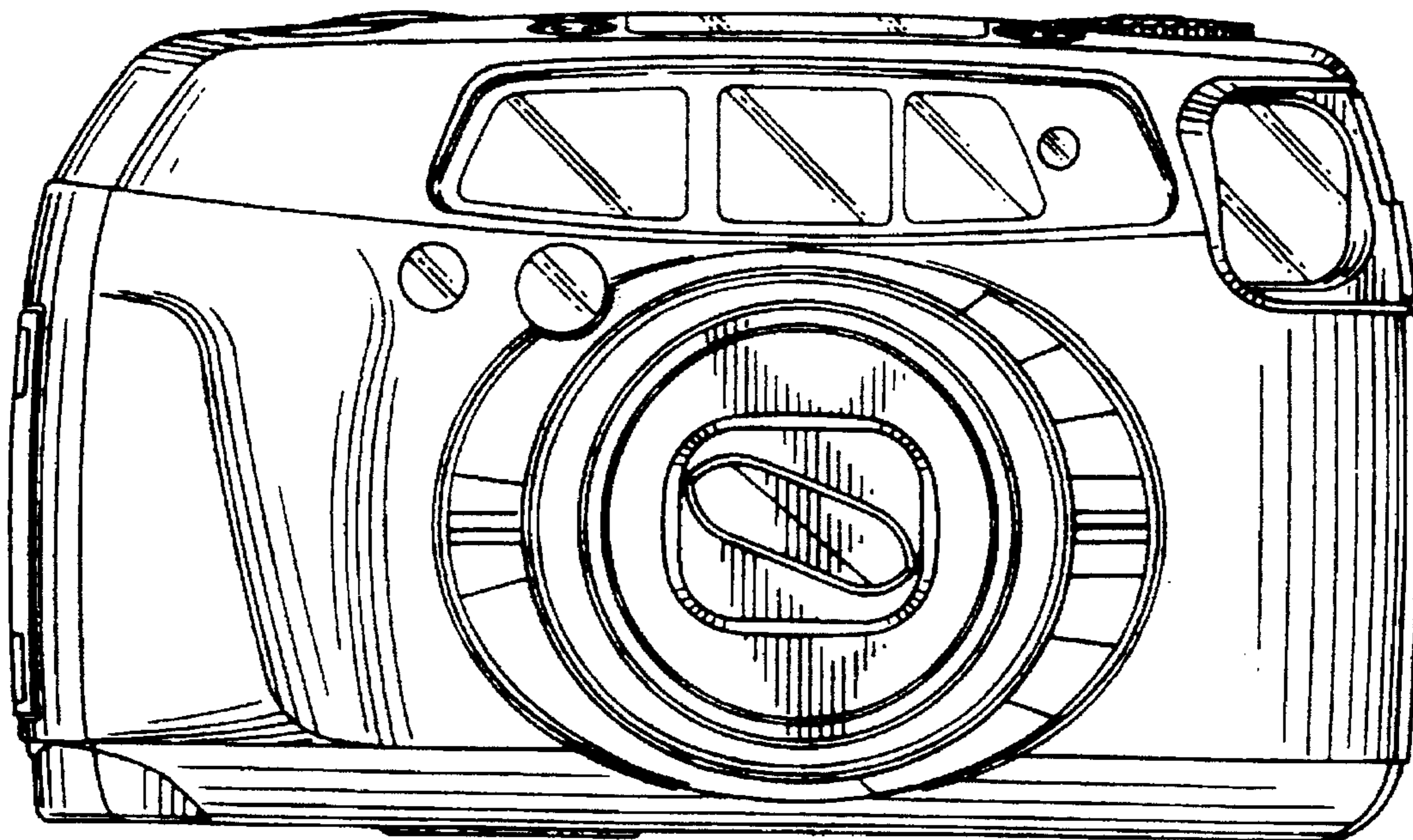


FIG. 3

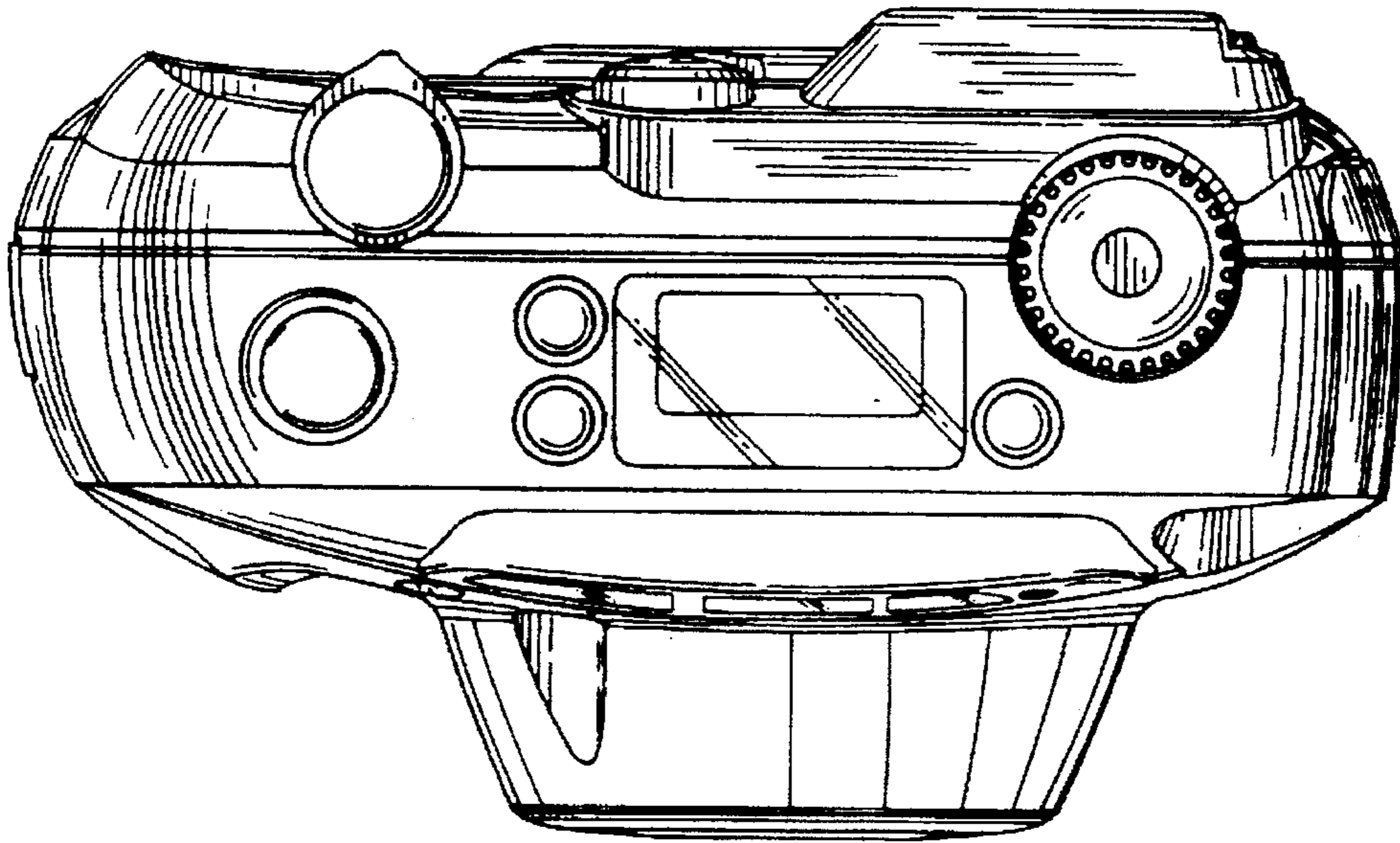


FIG. 4

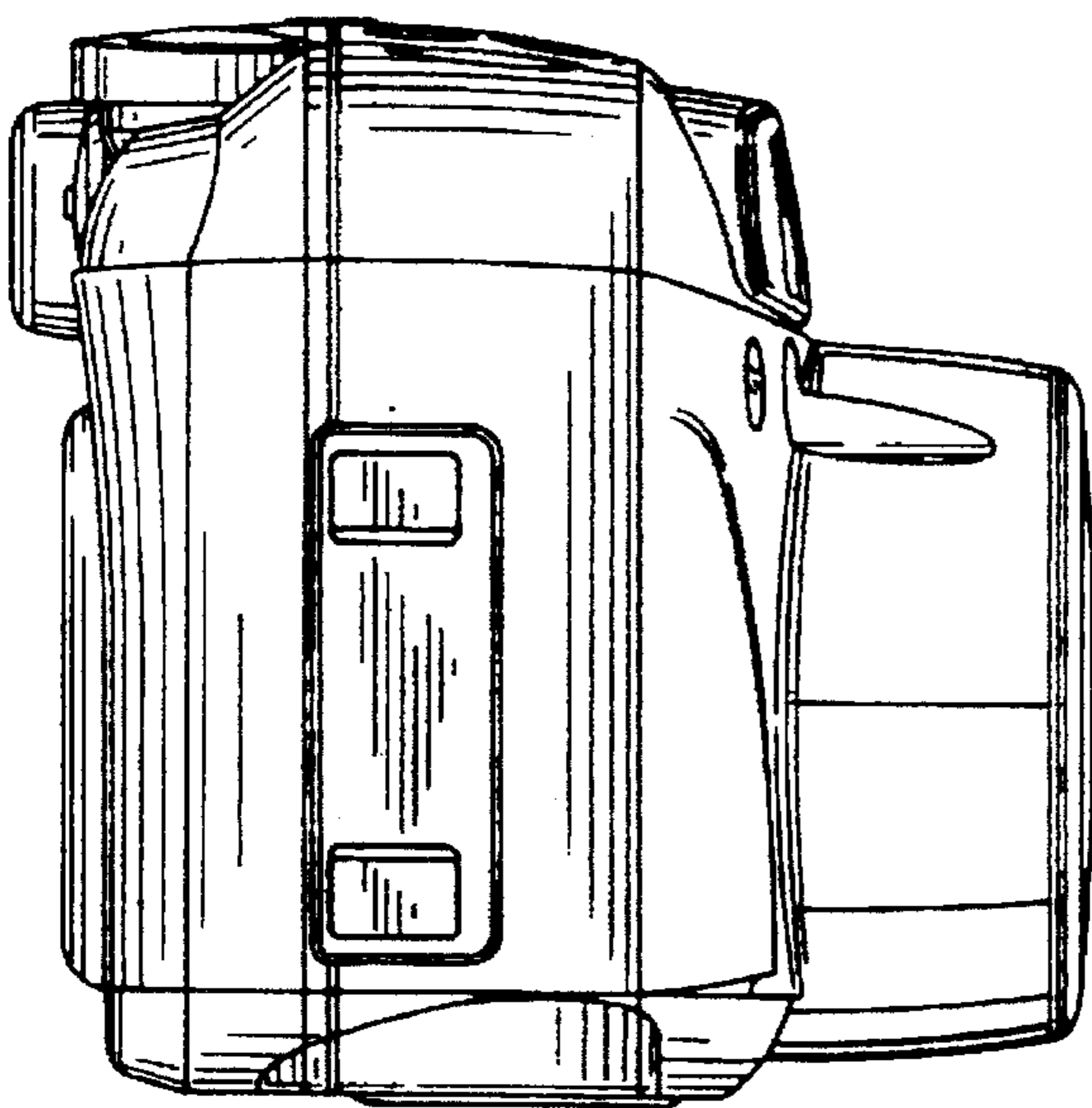


FIG. 5

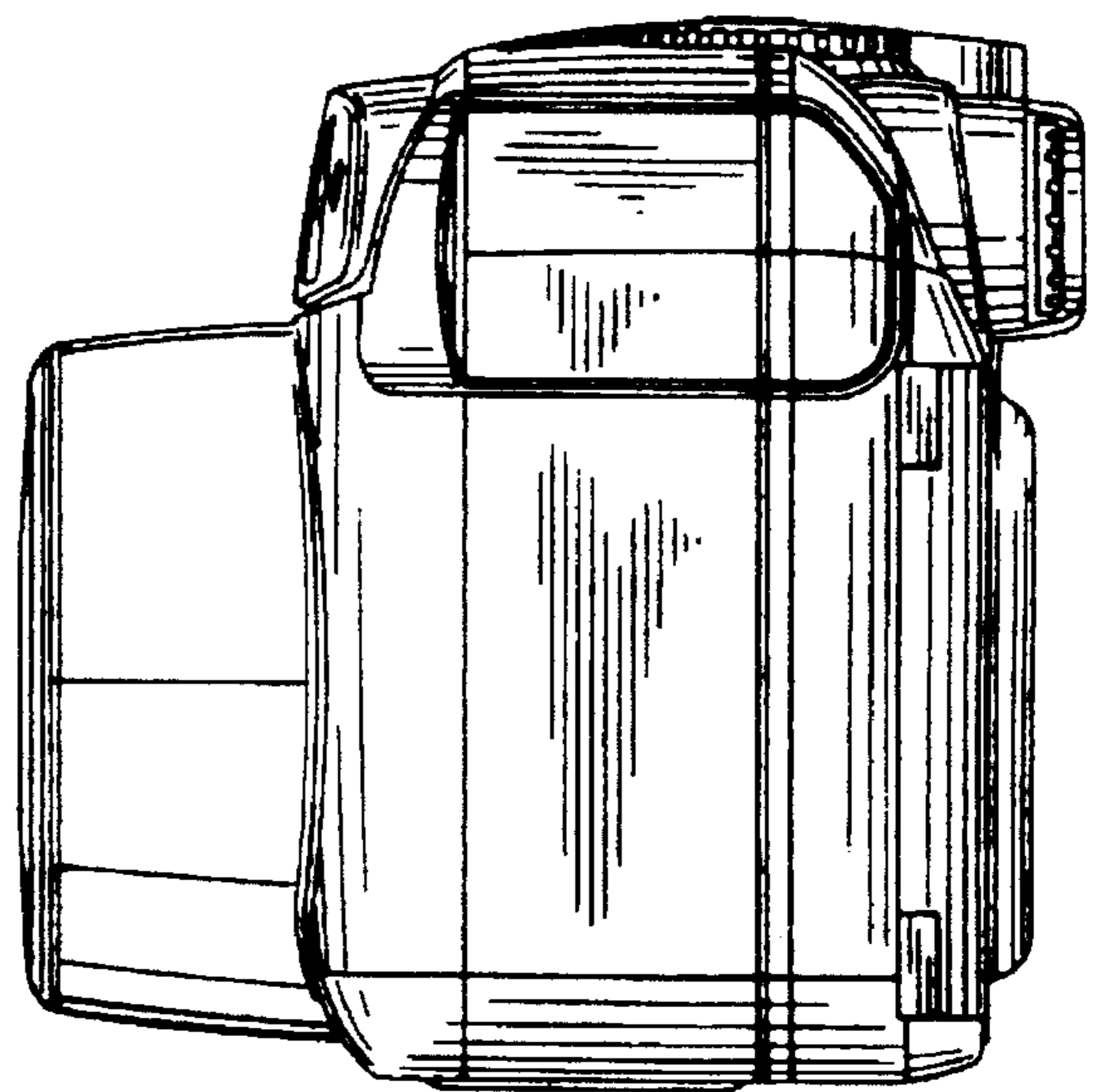


FIG. 6

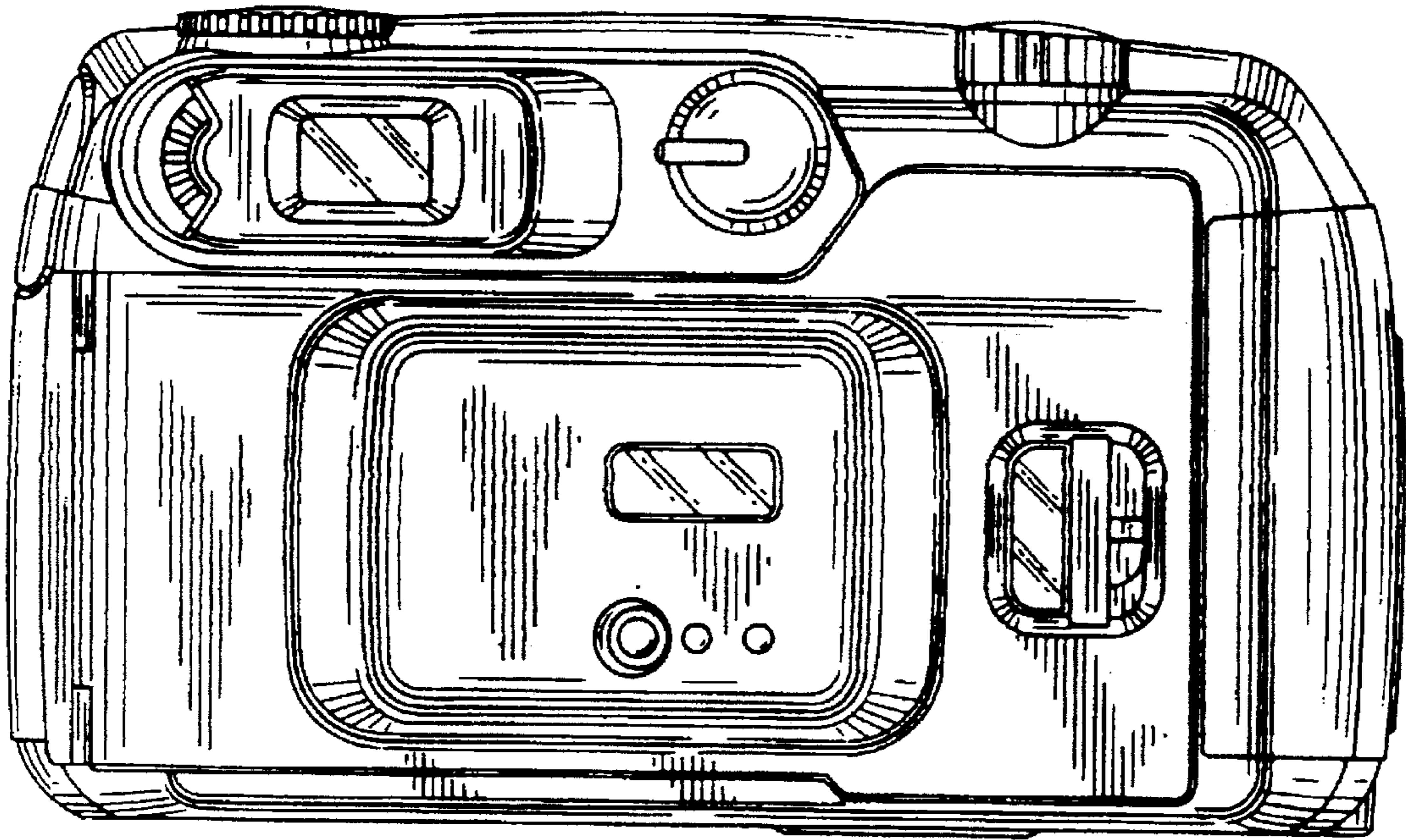


FIG. 7

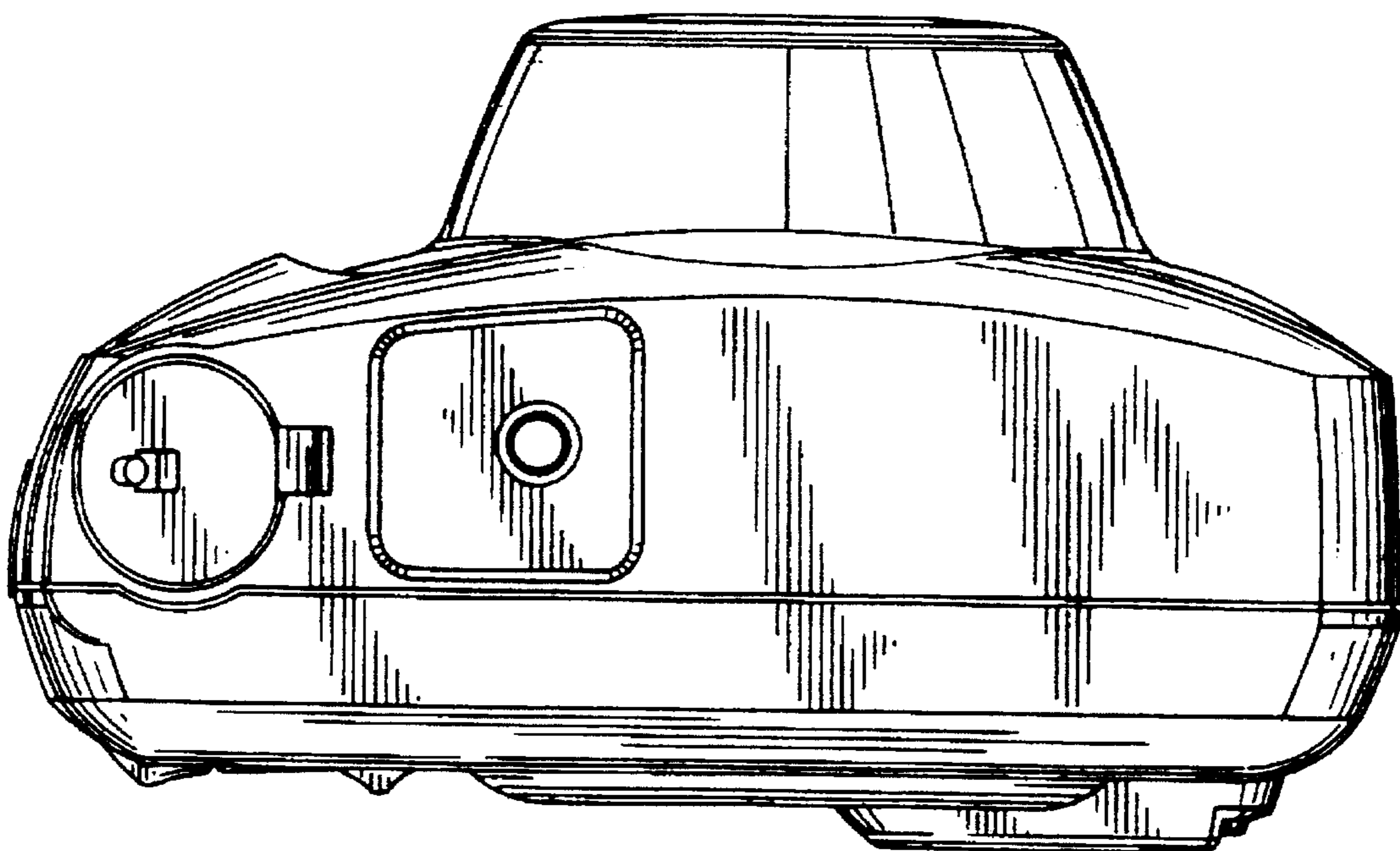


FIG. 8

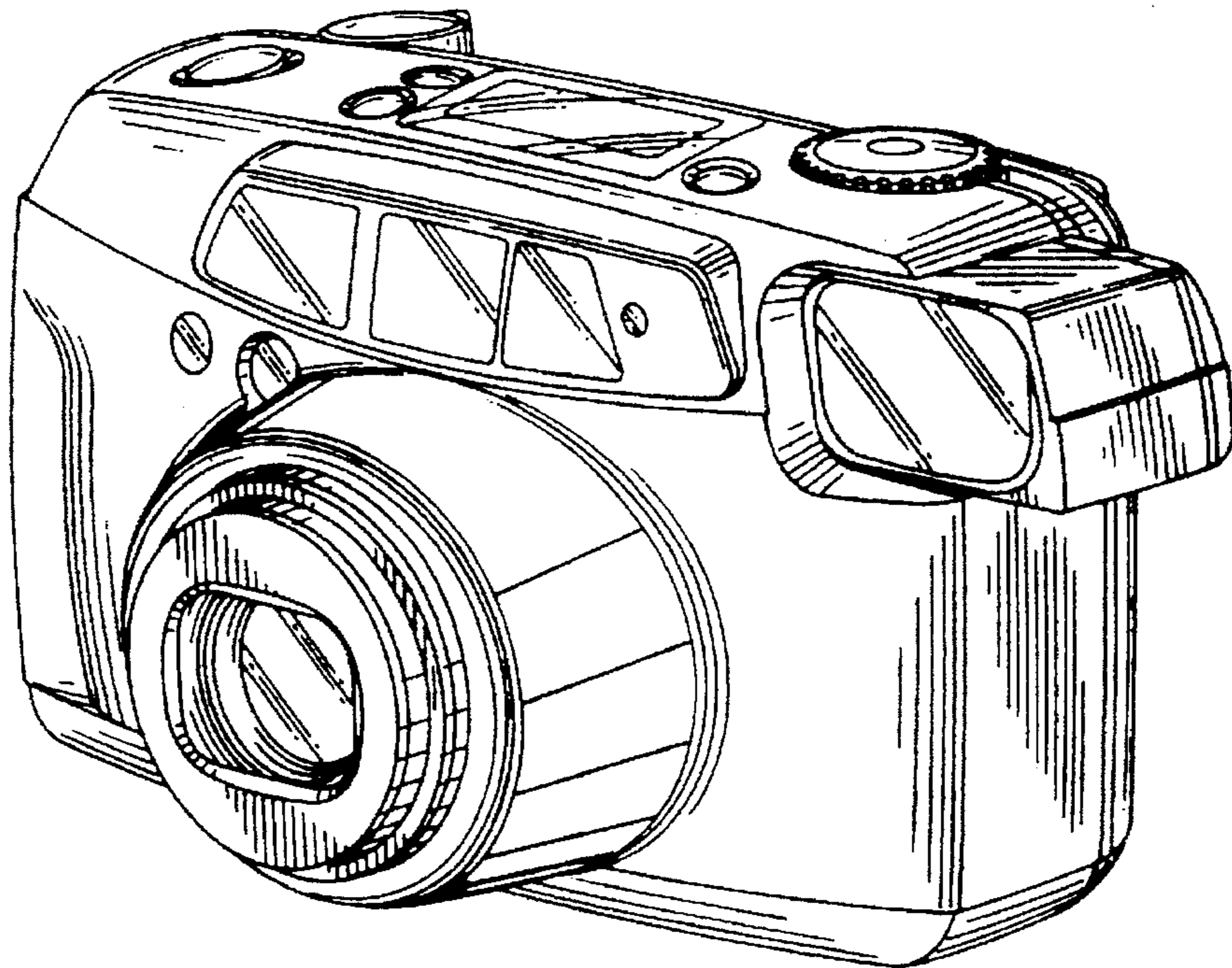


FIG. 9

