



US00D381997S

United States Patent [19] Morooka

[11] Patent Number: **Des. 381,997**
[45] Date of Patent: ****Aug. 5, 1997**

[54] VIDEO CAMERA

[75] Inventor: **Takashi Morooka**, Tokyo, Japan

[73] Assignee: **Sony Corporation**, Tokyo, Japan

[**] Term: **14 Years**

[21] Appl. No.: **49,755**

[22] Filed: **Jan. 30, 1996**

[51] LOC (6) Cl. **16-01**

[52] U.S. Cl. **D16/202**

[58] Field of Search D16/200-206;
348/11-20; 354/64, 82, 288; 358/906; 379/53;
H04N 5/225

[56] **References Cited**

U.S. PATENT DOCUMENTS

- D. 312,649 12/1990 Sakuta D16/202
- D. 339,149 9/1993 Nakamura et al. D16/202
- D. 349,907 8/1994 Allmendinger D16/202
- D. 363,730 10/1995 Flohr et al. D16/202

FOREIGN PATENT DOCUMENTS

- 244879 9/1990 Japan H04N 5/225

OTHER PUBLICATIONS

Teleconference, Nov./Dec. 1986.

Primary Examiner—Ted Shooman
Assistant Examiner—Adir Aronovich

Attorney, Agent, or Firm—Cooper & Dunham LLP

[57] **CLAIM**

The ornamental design for video camera, as shown and described.

DESCRIPTION

FIG. 1 is a top plan view of a video camera showing my new design;

FIG. 2 is a left-side elevational view thereof;

FIG. 3 is a front elevational view thereof;

FIG. 4 is a right-side elevational view thereof;

FIG. 5 is a bottom plan view thereof;

FIG. 6 is a rear elevational view thereof;

FIG. 7 is a top, front and right-side perspective view thereof;

FIG. 8 is a top, front and right side perspective view thereof, with the lens in a first operational position;

FIG. 9 is a top, front and right side perspective view thereof, with the lens in a second operational position;

FIG. 10 is a top, front and right side perspective view thereof, with the lens in a third operational position; and,

FIG. 11 is a top, front and right side perspective view thereof, with the lens in a fourth operational position.

1 Claim, 6 Drawing Sheets

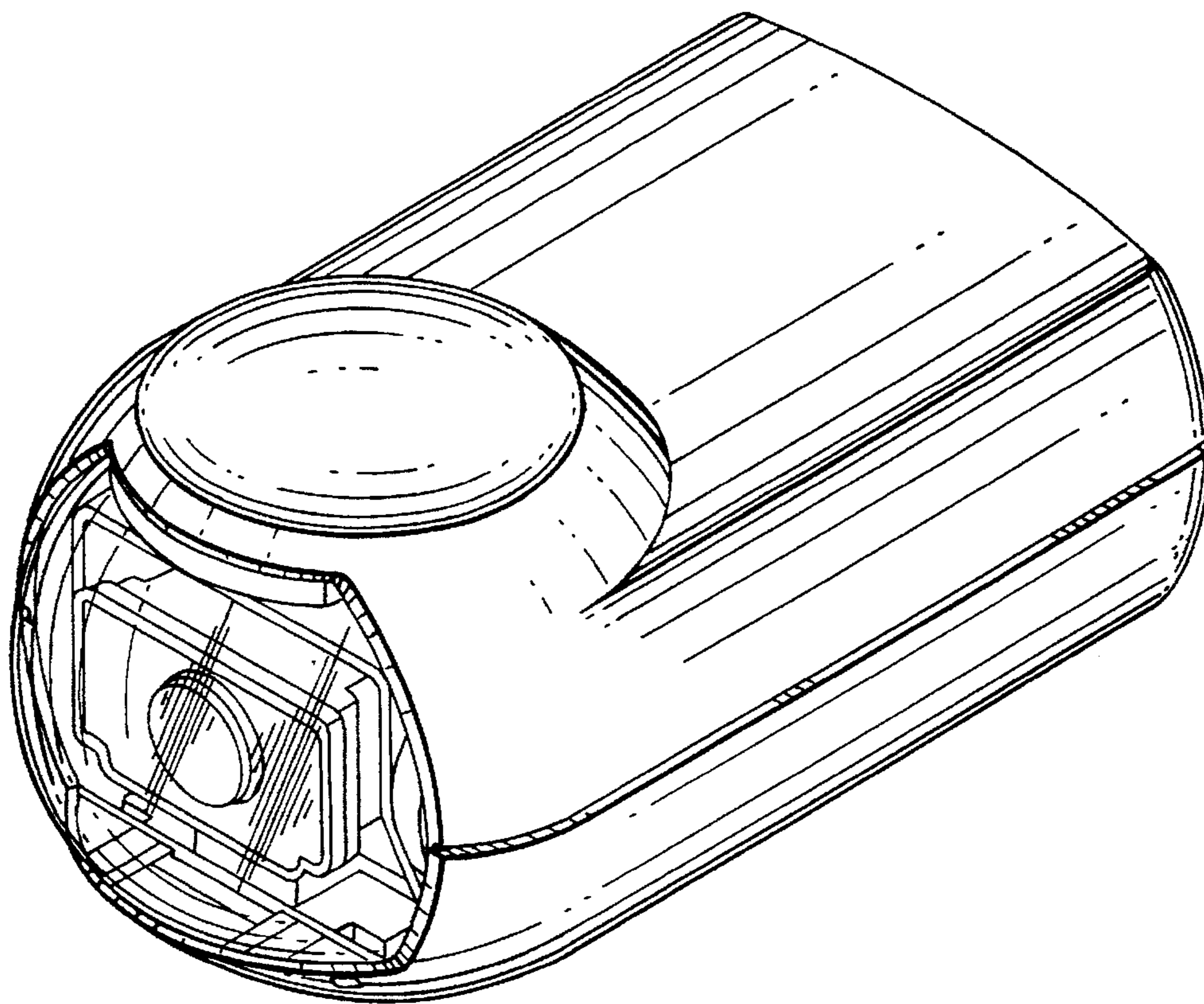


FIG. 1

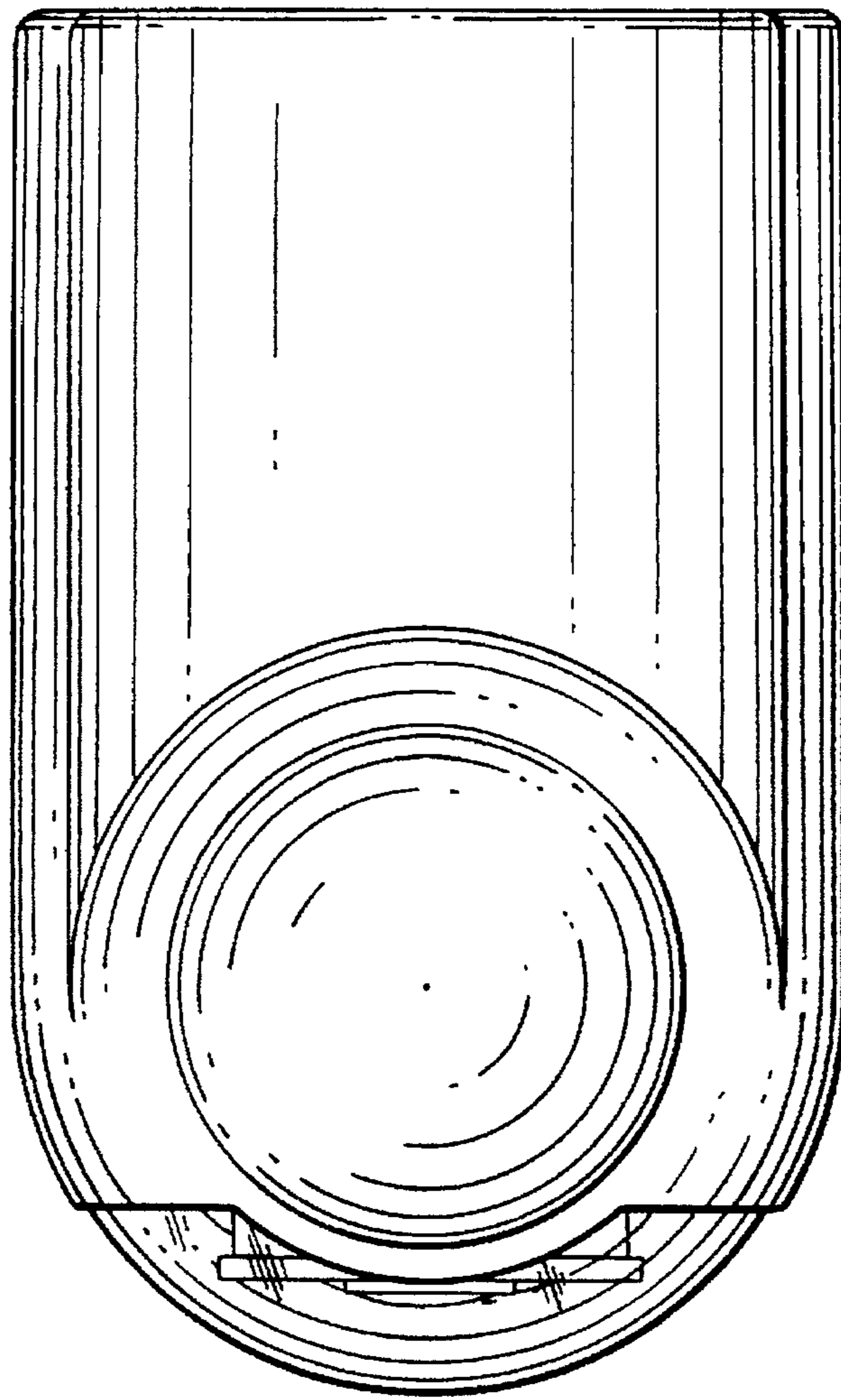


FIG. 2

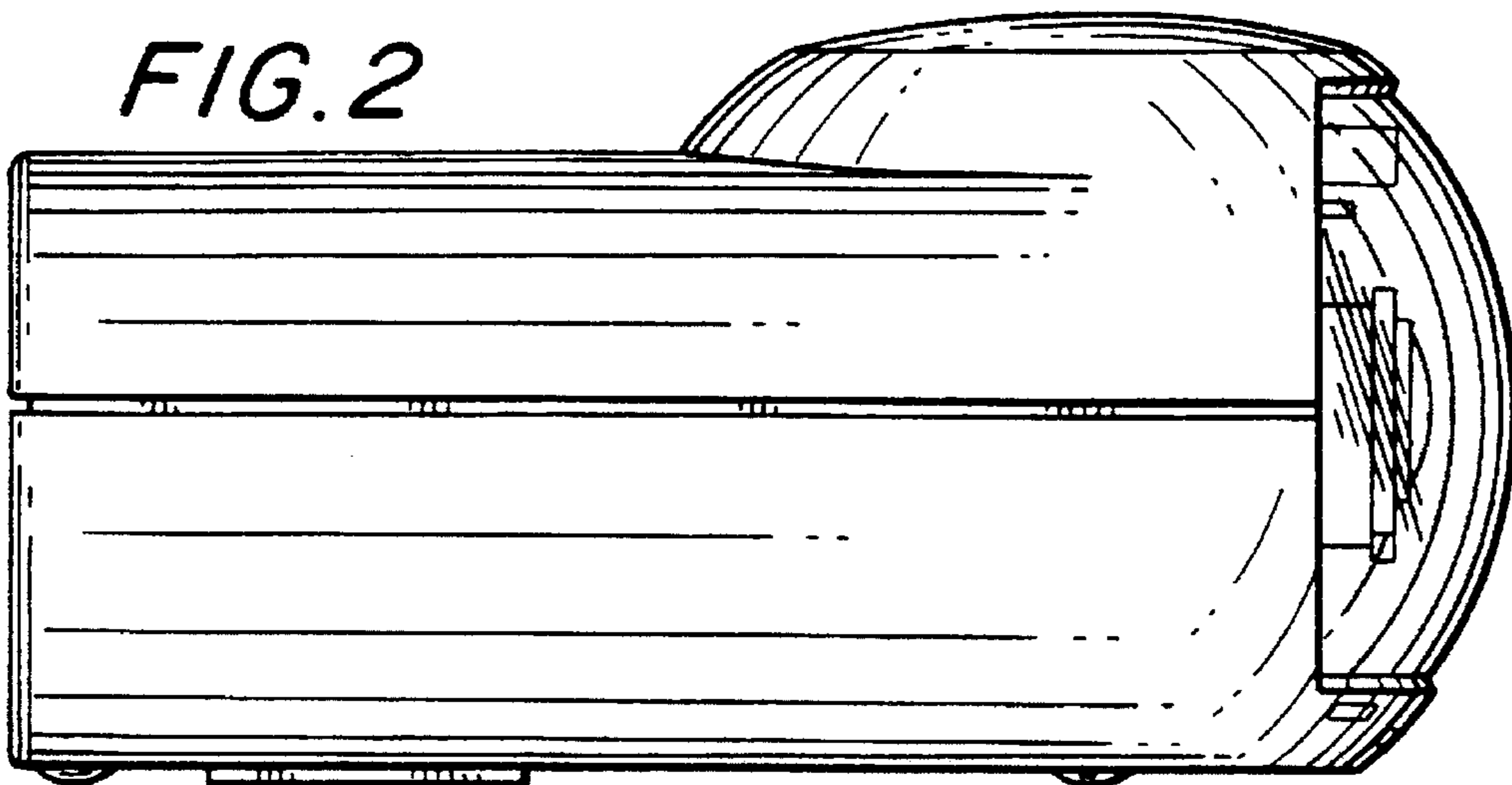


FIG. 3

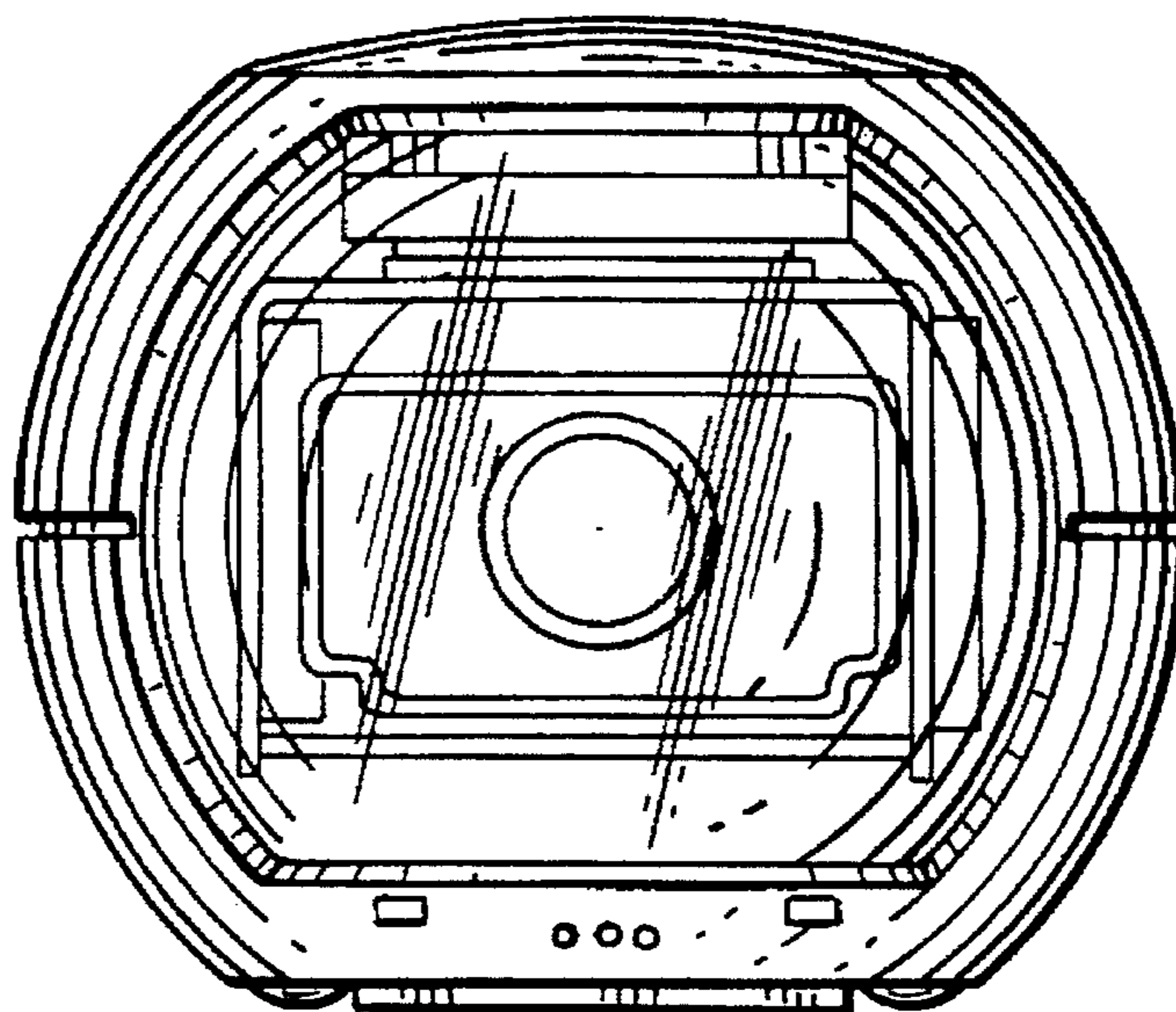


FIG. 4

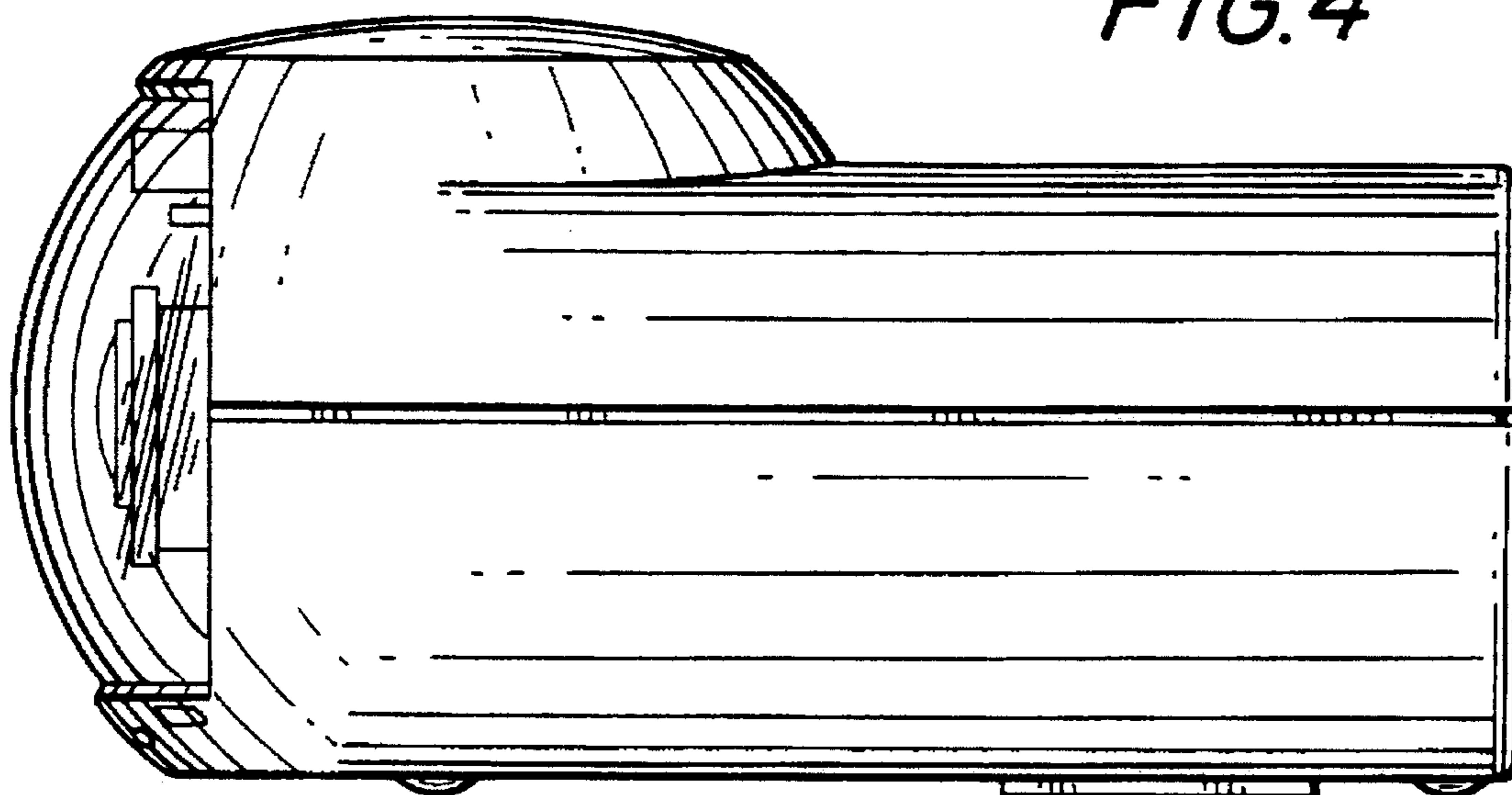


FIG. 5

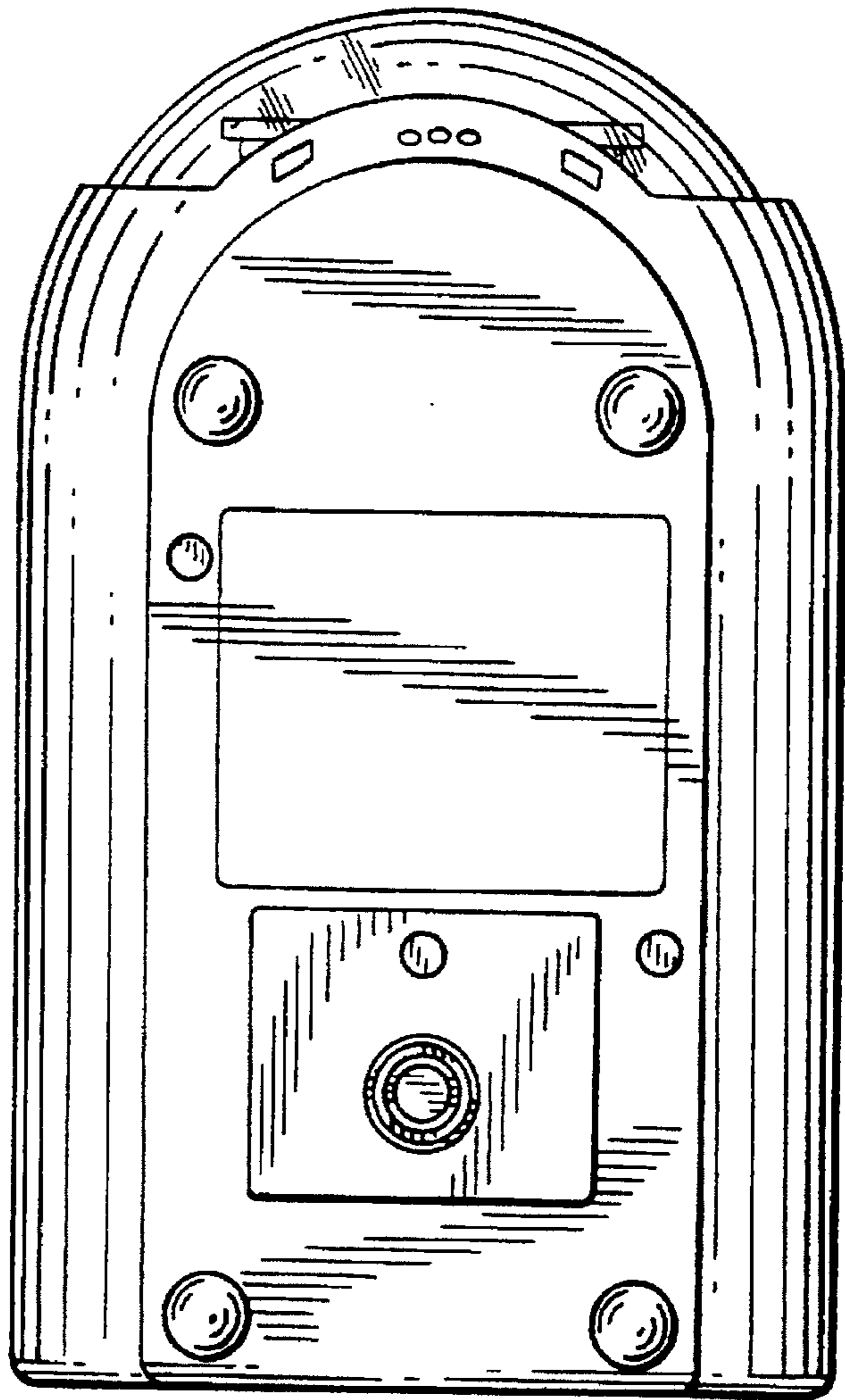


FIG. 6

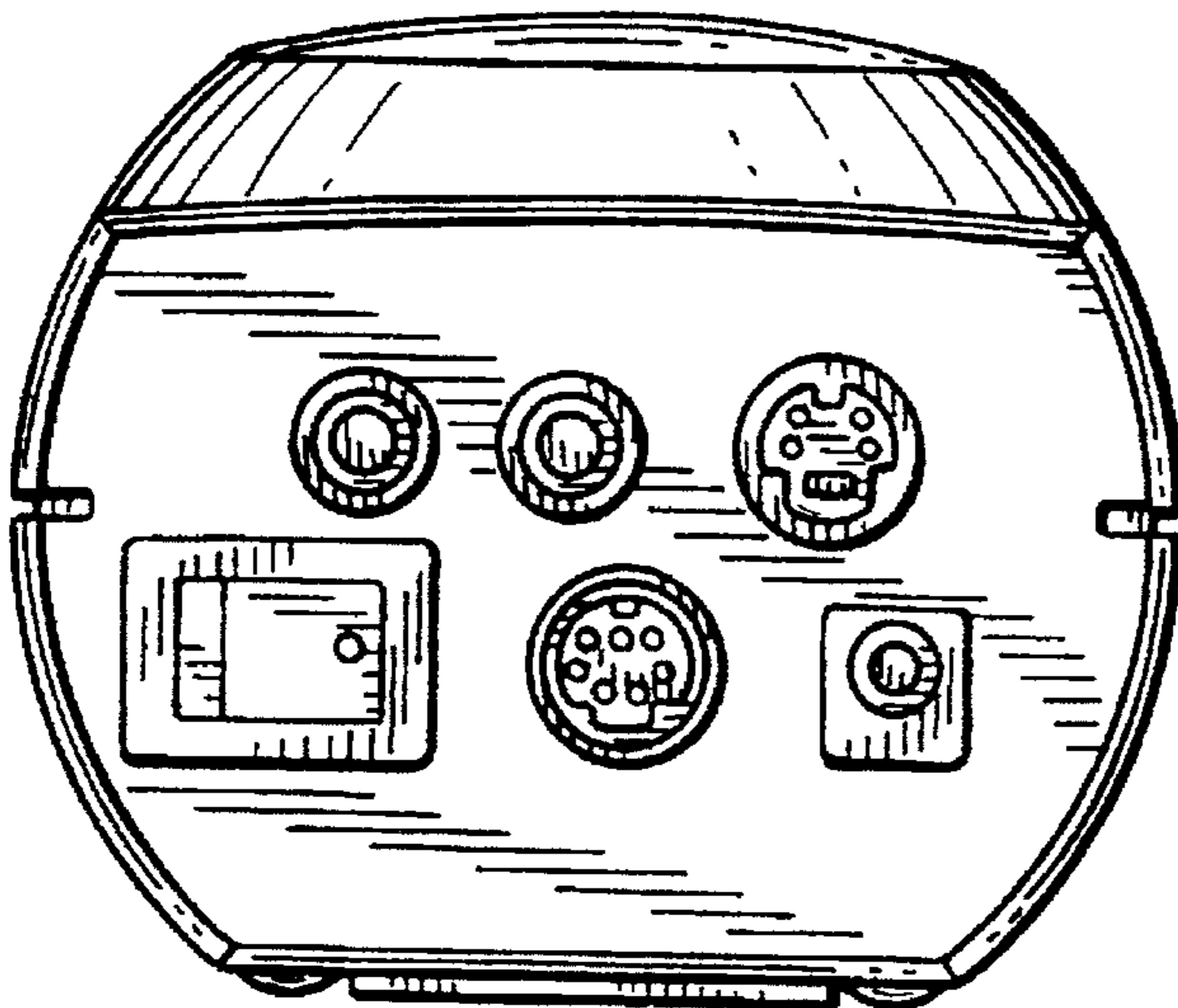


FIG. 7

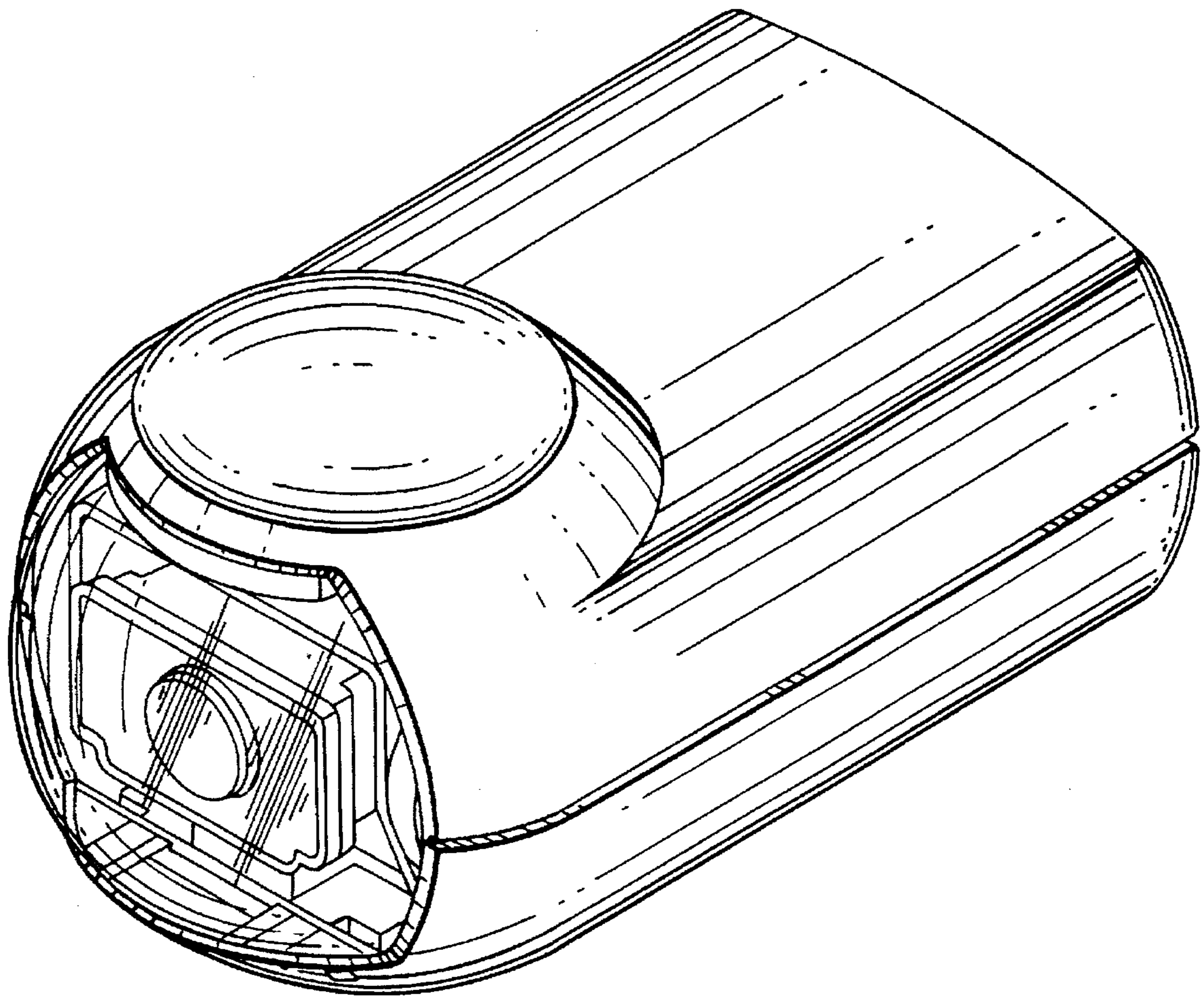


FIG. 8

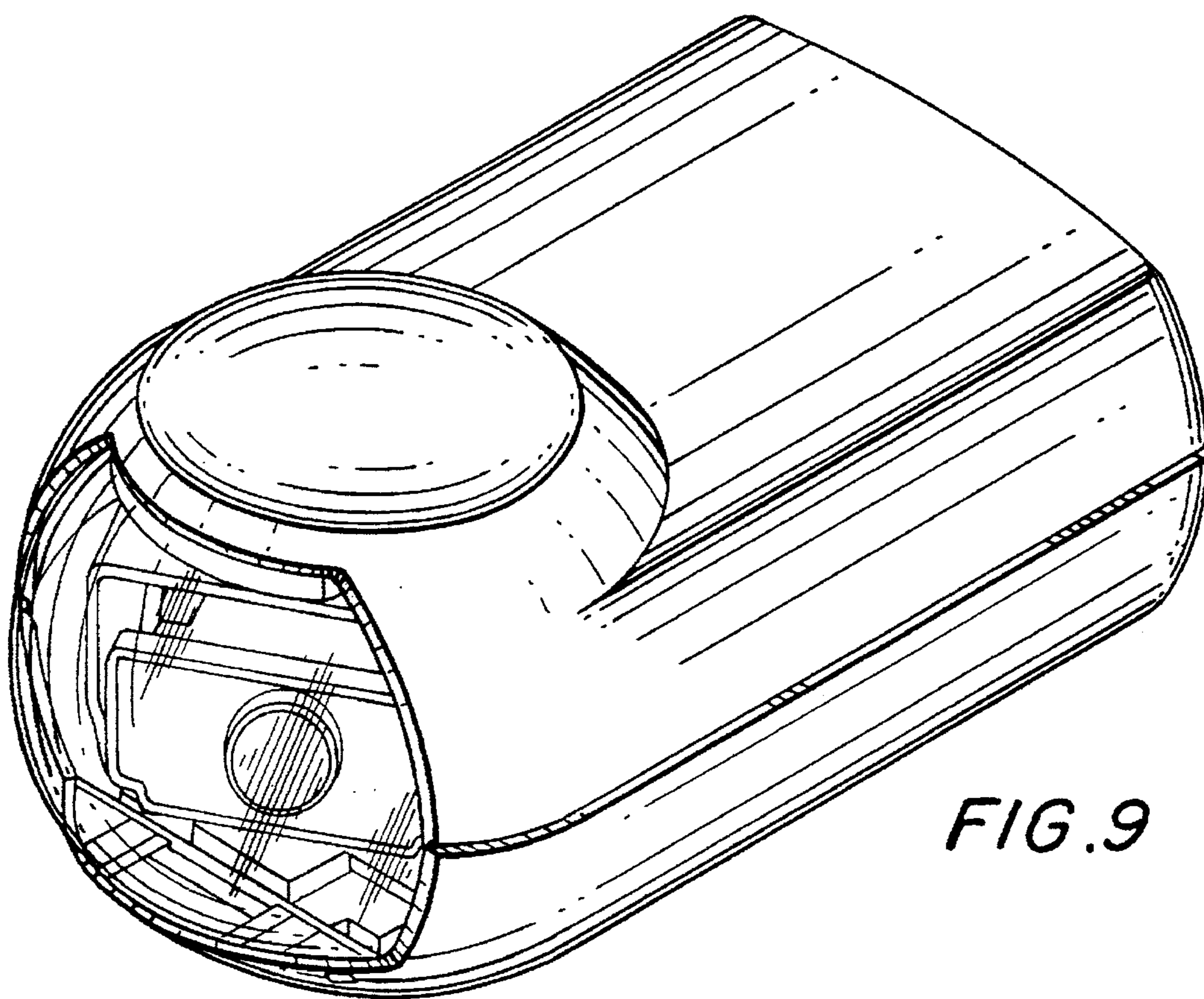
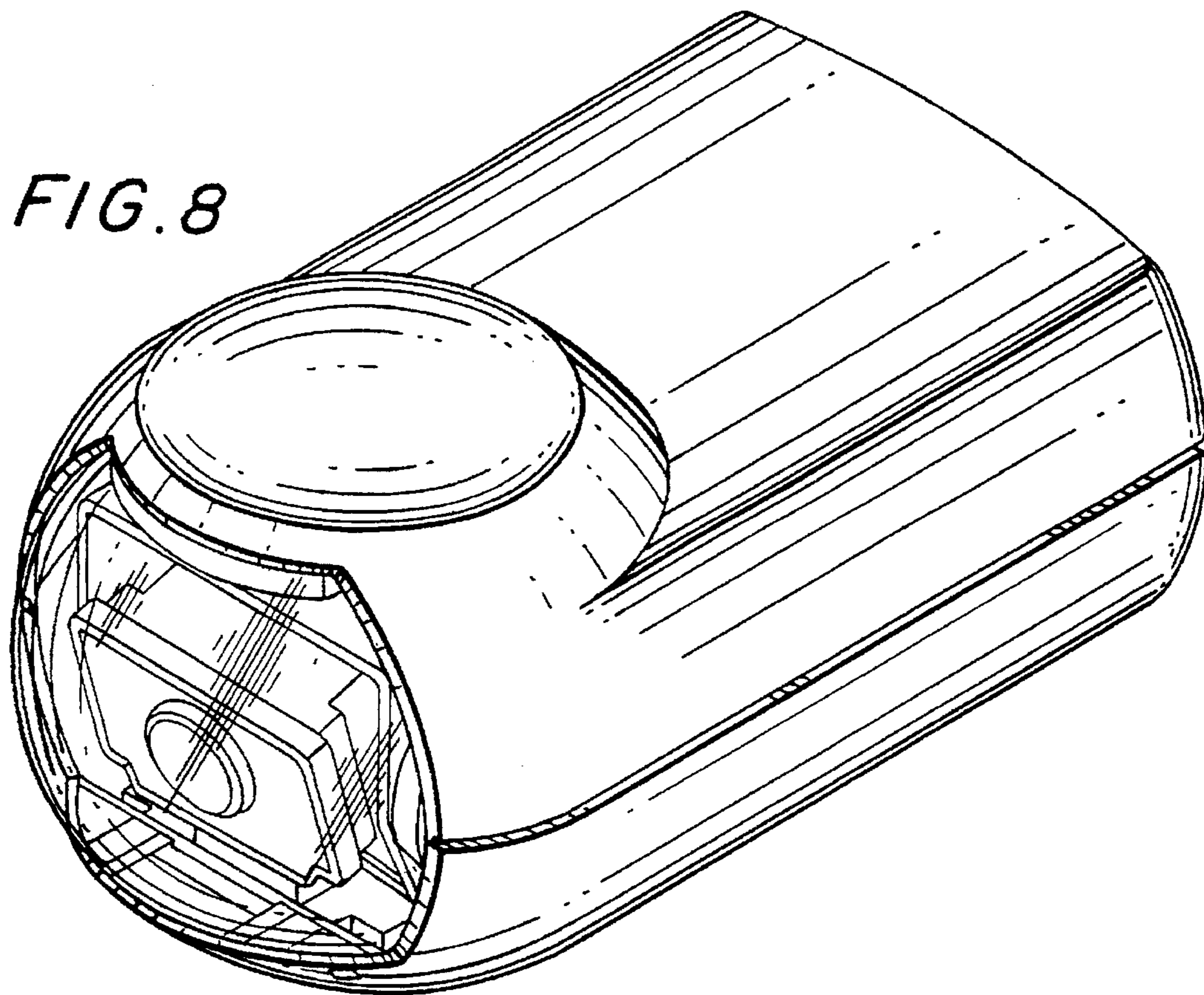


FIG. 9

FIG. 10

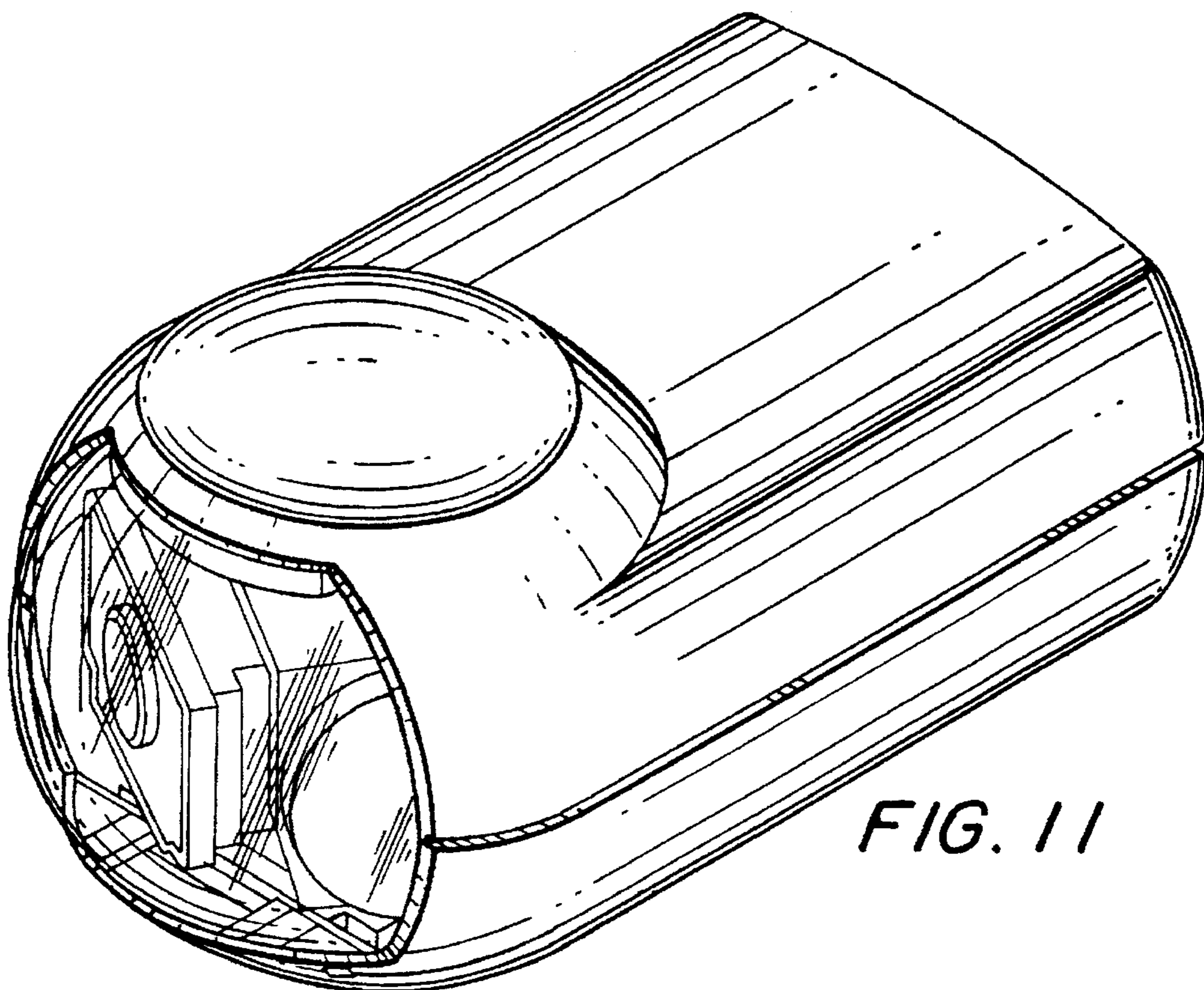
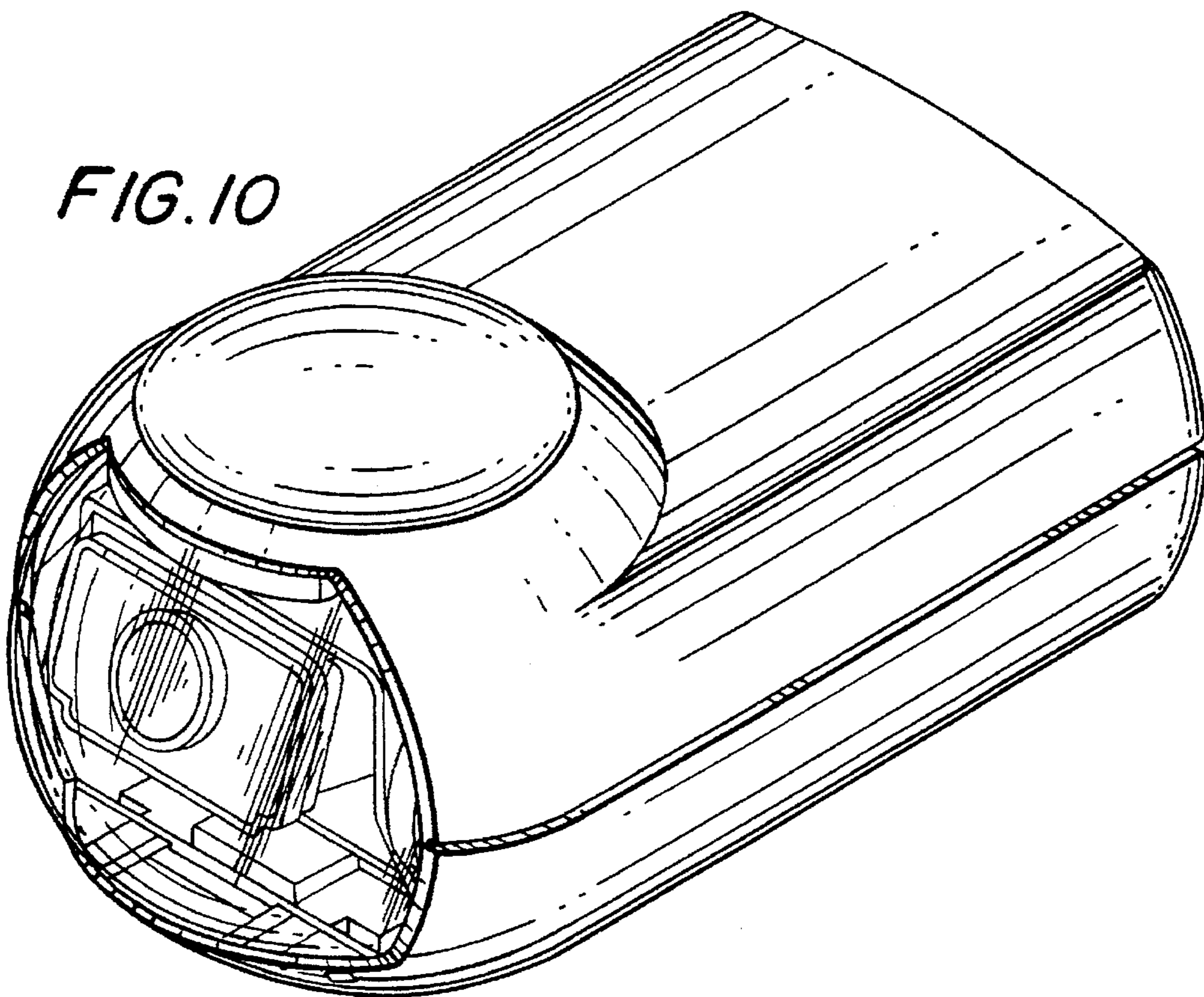


FIG. 11