



US00D381996S

United States Patent [19]
Kobayashi

[11] **Patent Number: Des. 381,996**
[45] **Date of Patent: **Aug. 5, 1997**

[54] **COMBINED VIDEO TAPE RECORDER AND CAMERA**

D. 365,586 12/1995 Miyashita D16/202

[75] Inventor: **Masaharu Kobayashi**, Tokyo, Japan

[73] Assignee: **Sony Corporation**, Tokyo, Japan

[**] Term: **14 Years**

[21] Appl. No.: **44,268**

[22] Filed: **Sep. 21, 1995**

[51] LOC (6) Cl. **16-01**

[52] U.S. Cl. **D16/202**

[58] **Field of Search** D16/200-205,
D16/208; 348/207, 143, 373-376; 352/34,
242, 243; 354/81, 82, 288; 358/906, 909.1;
H04N 5/225

[56] **References Cited**

U.S. PATENT DOCUMENTS

D. 288,811	3/1987	Kurokawa et al.	D16/202
D. 316,555	4/1991	Ooi et al.	D16/202
D. 323,519	1/1992	Fukuda	D16/202
D. 356,806	3/1995	Kim	D16/202

OTHER PUBLICATIONS

Video Magazine, Jun. 1992 p. 97 (Ricoh camcorder).

Primary Examiner—Raphael Barkai
Assistant Examiner—Adir Aronovich
Attorney, Agent, or Firm—Foley & Lardner

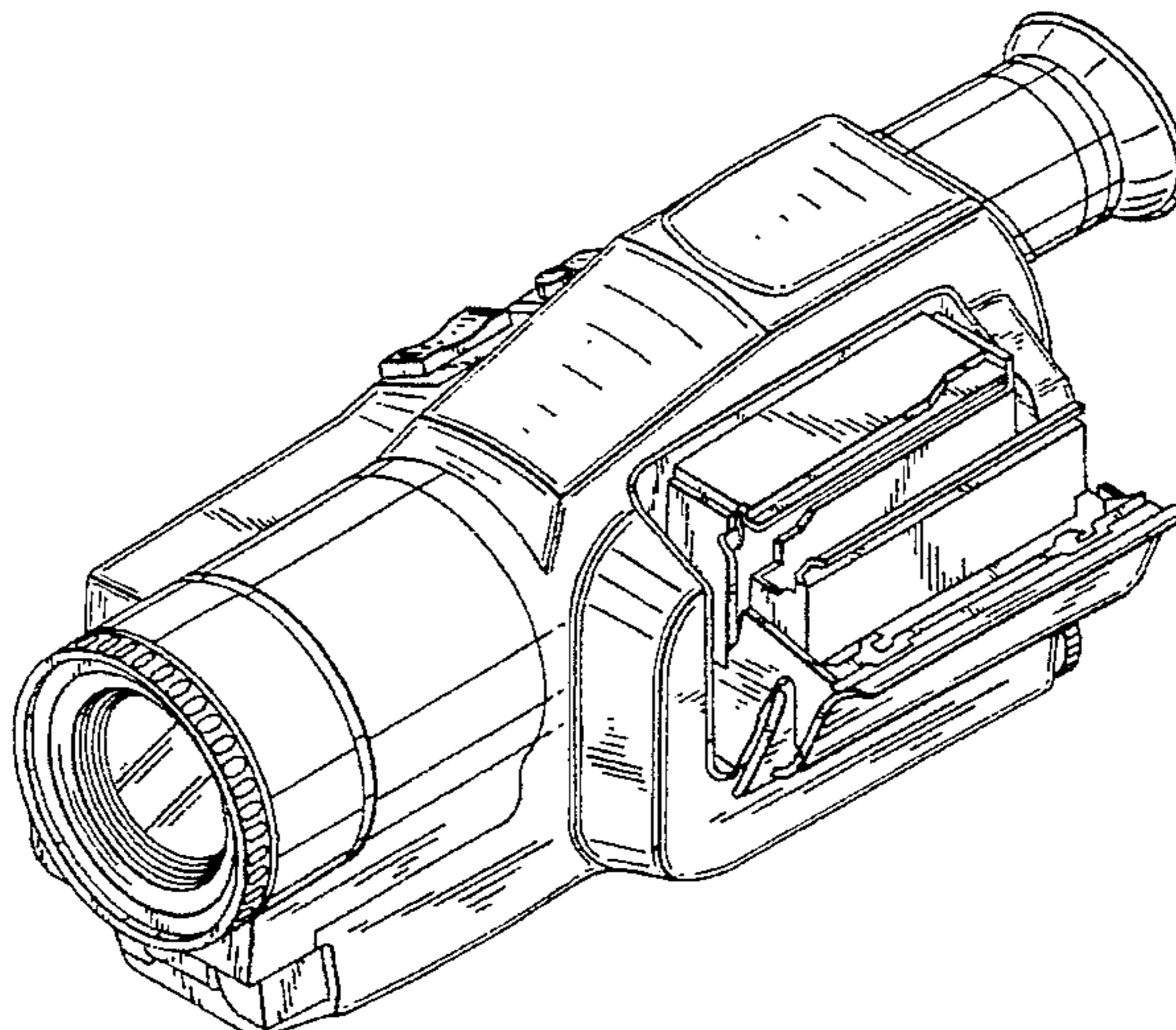
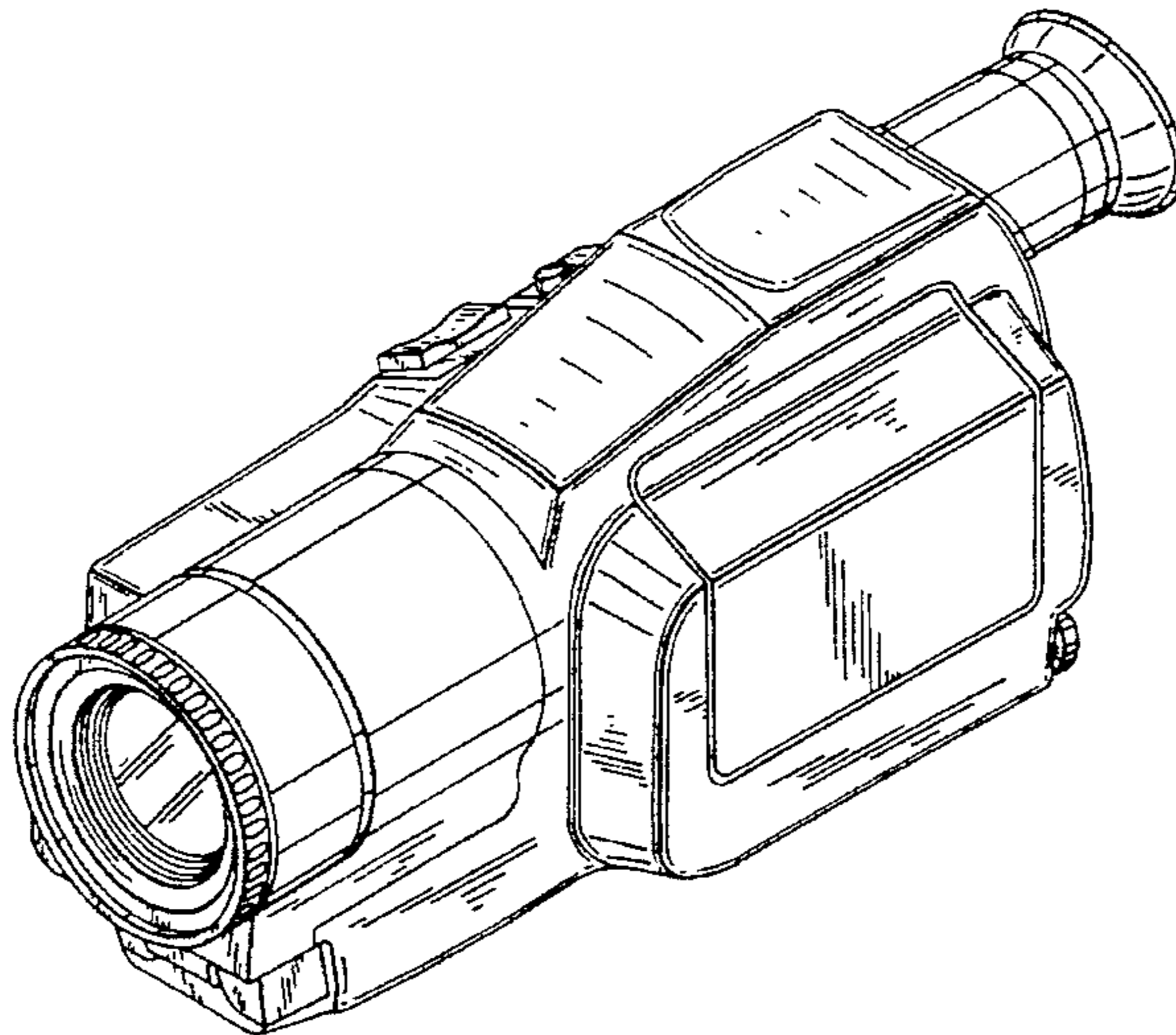
[57] **CLAIM**

The ornamental design for a combined video tape recorder and camera, as shown and described.

DESCRIPTION

FIG. 1 is a perspective view of a combined video tape recorder and camera showing my new design;
FIG. 2 is a top plan view thereof;
FIG. 3 is a left side elevational view thereof;
FIG. 4 is a front elevational view thereof;
FIG. 5 is a bottom plan view thereof;
FIG. 6 is a right side elevational view thereof;
FIG. 7 is a rear elevational view thereof; and,
FIG. 8 is a perspective view thereof, the cover being in an open position.

1 Claim, 5 Drawing Sheets



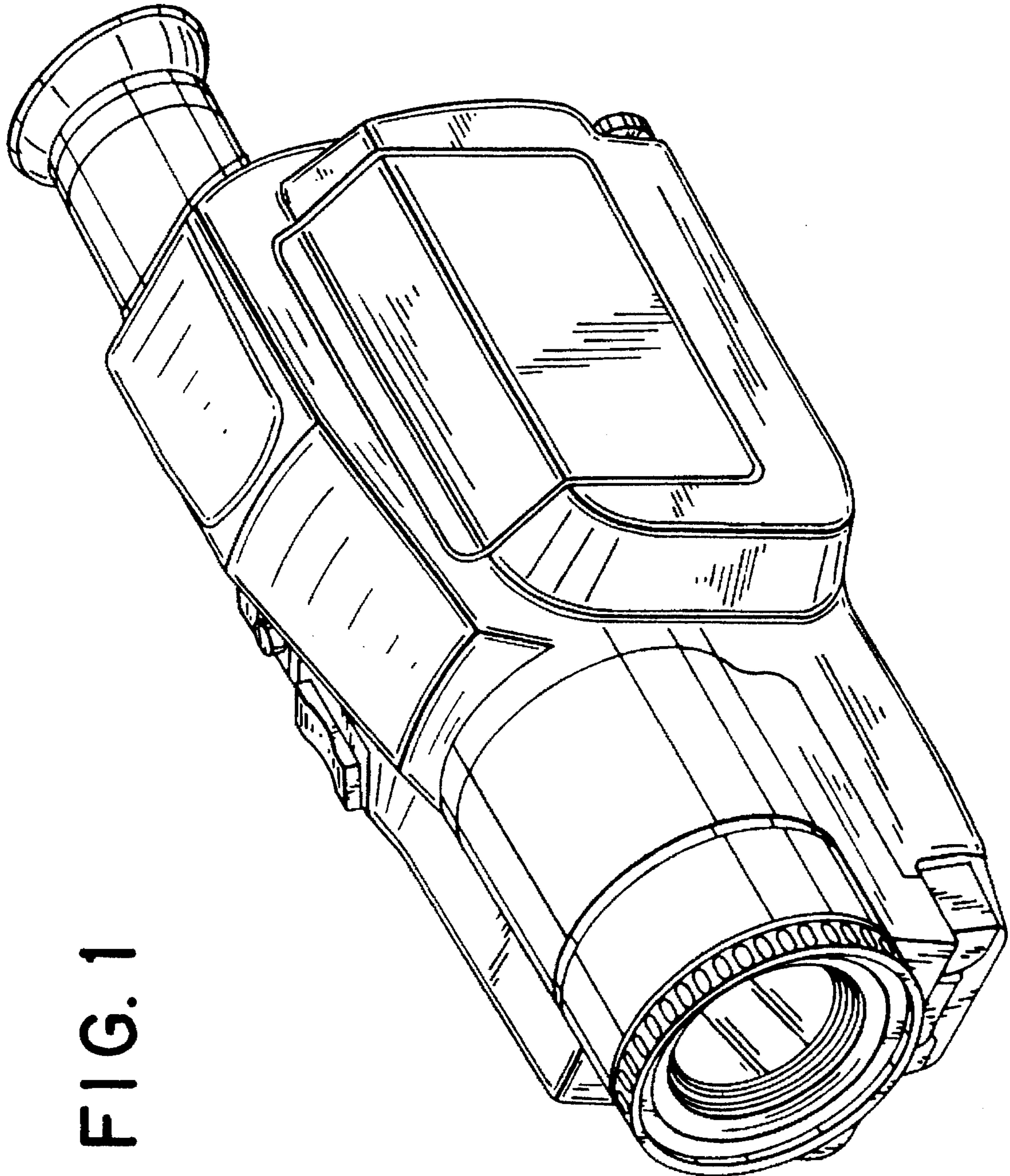


FIG. 1

FIG. 2

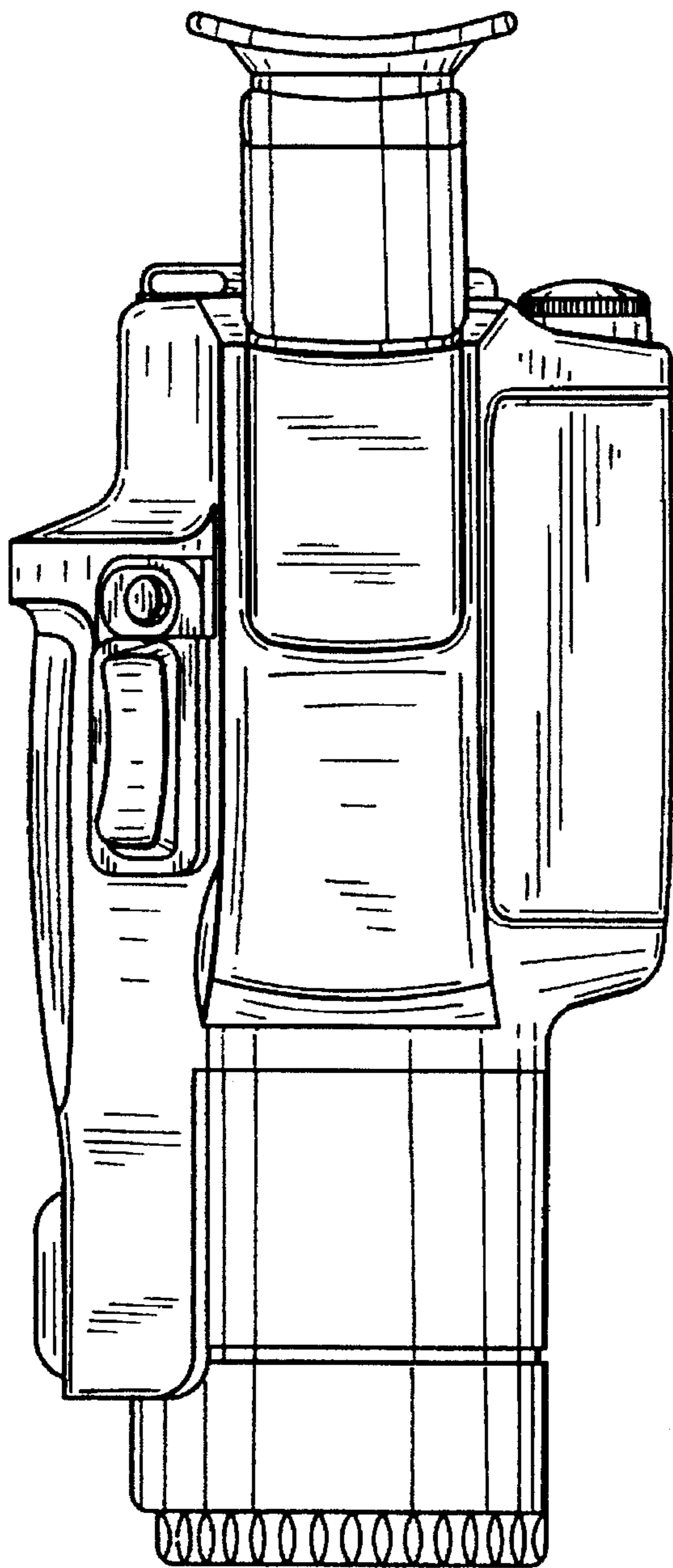


FIG. 5

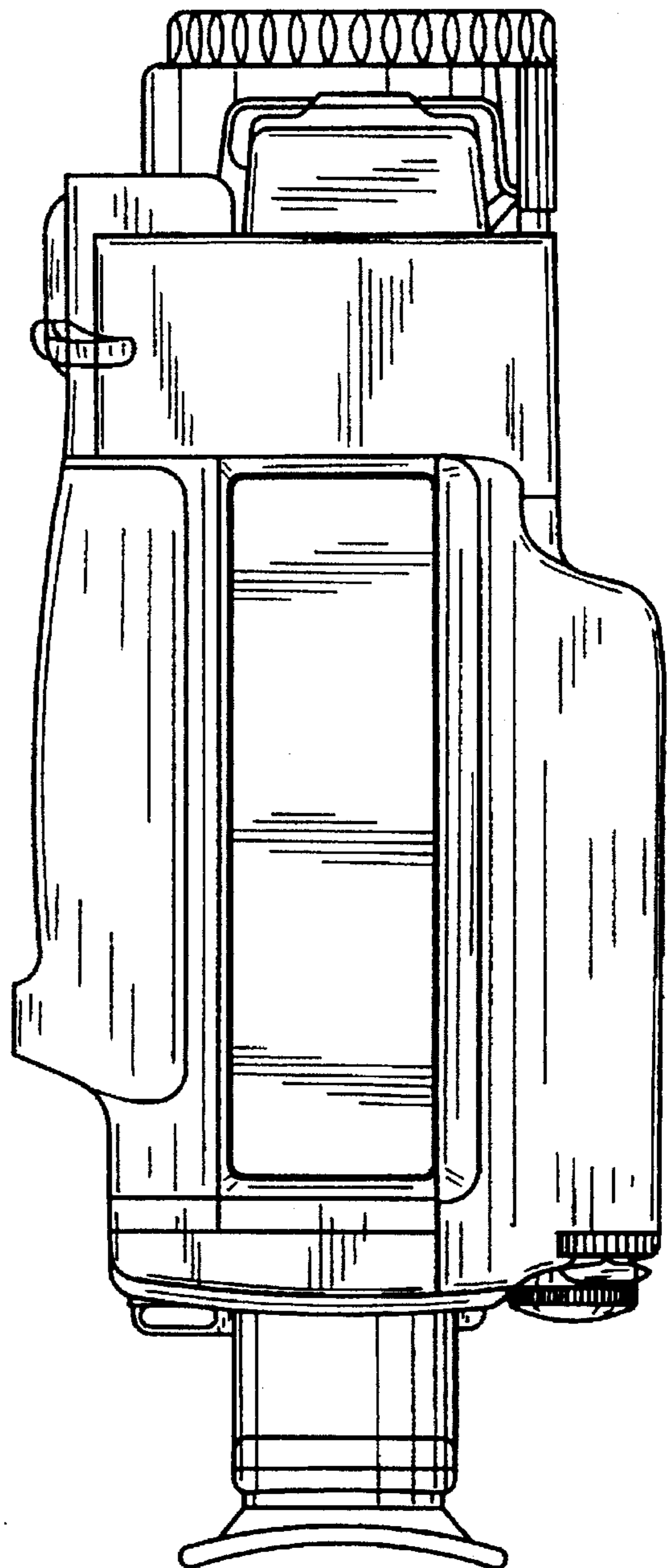


FIG. 4

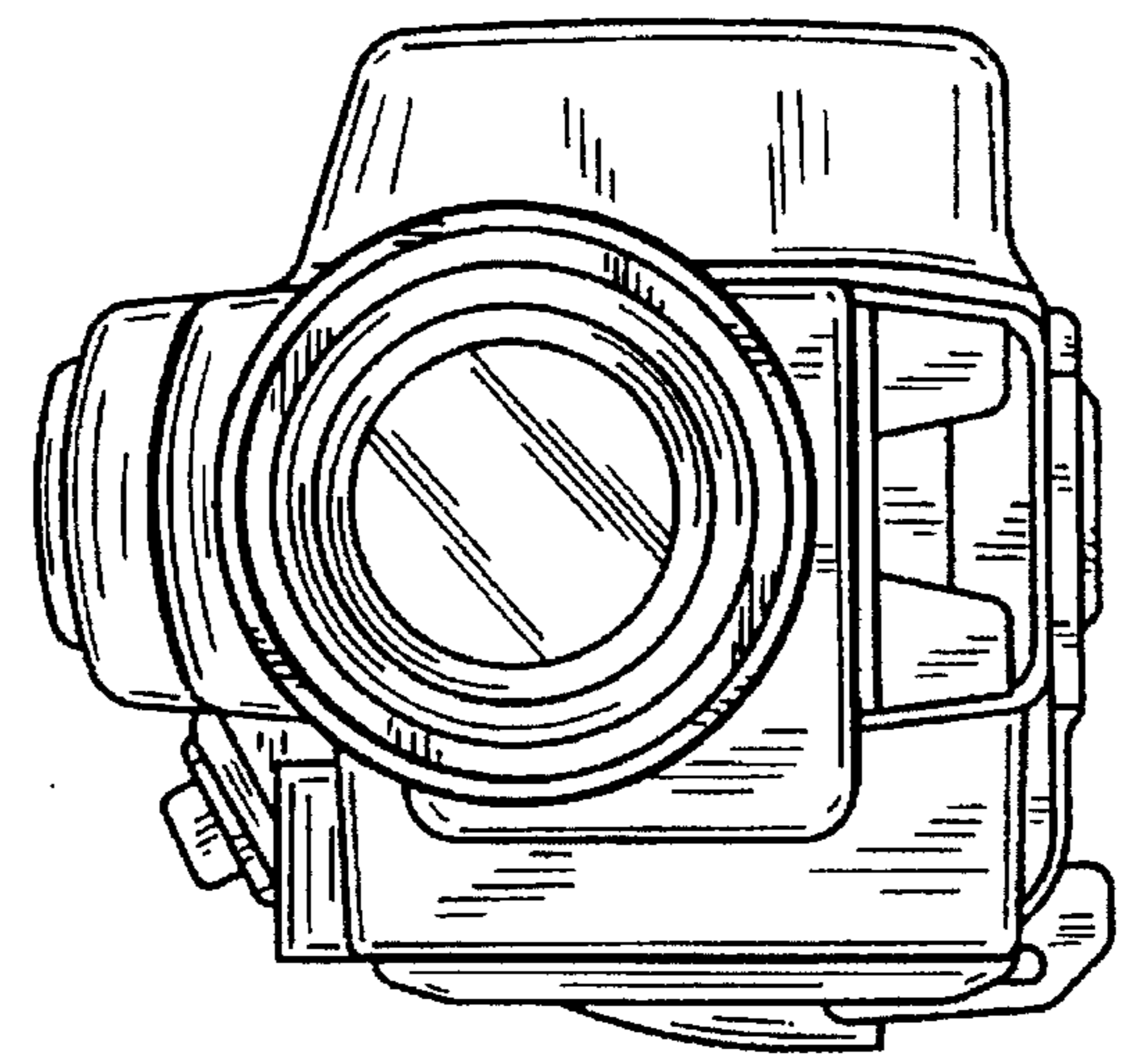


FIG. 3

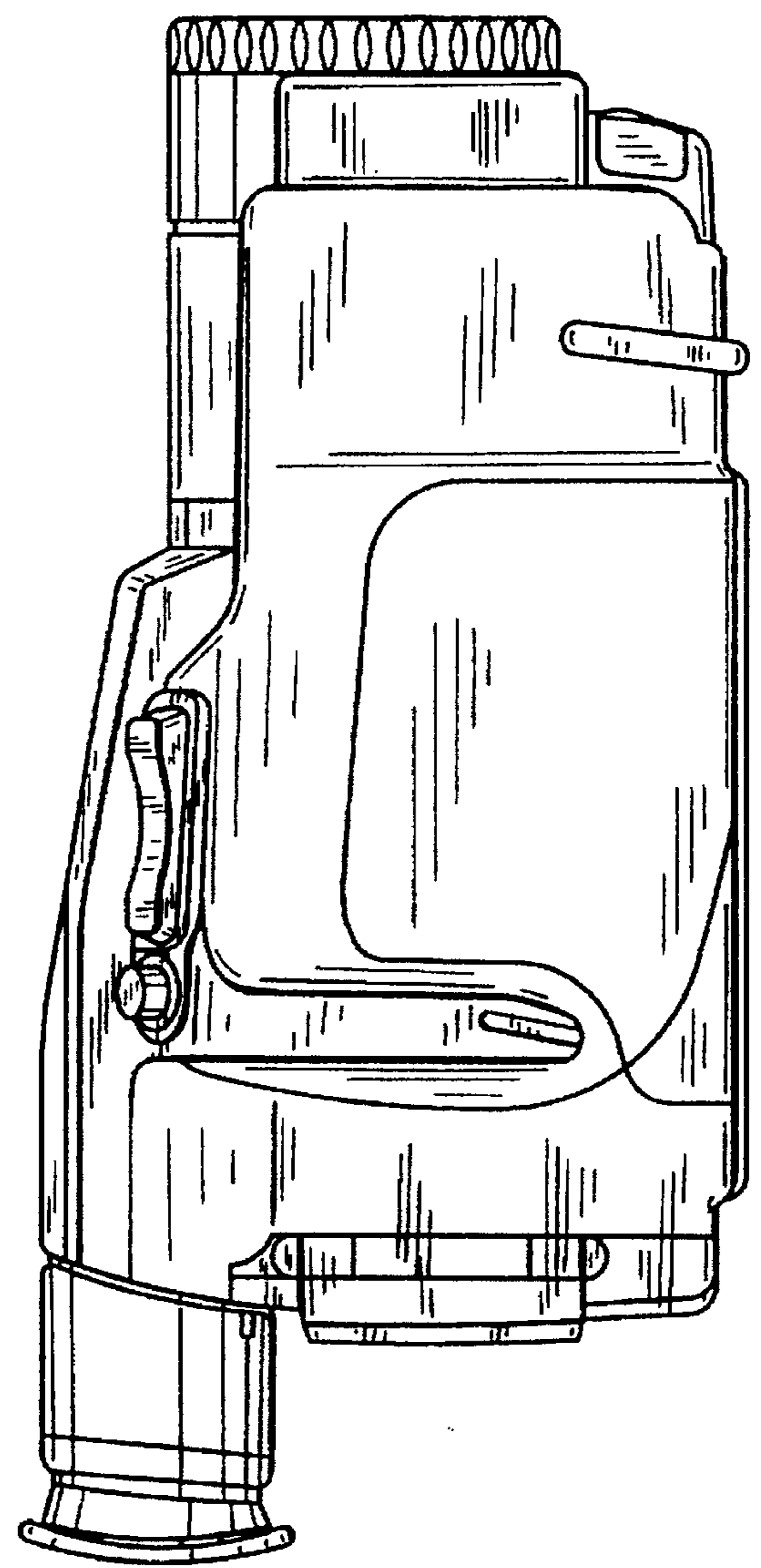


FIG. 7

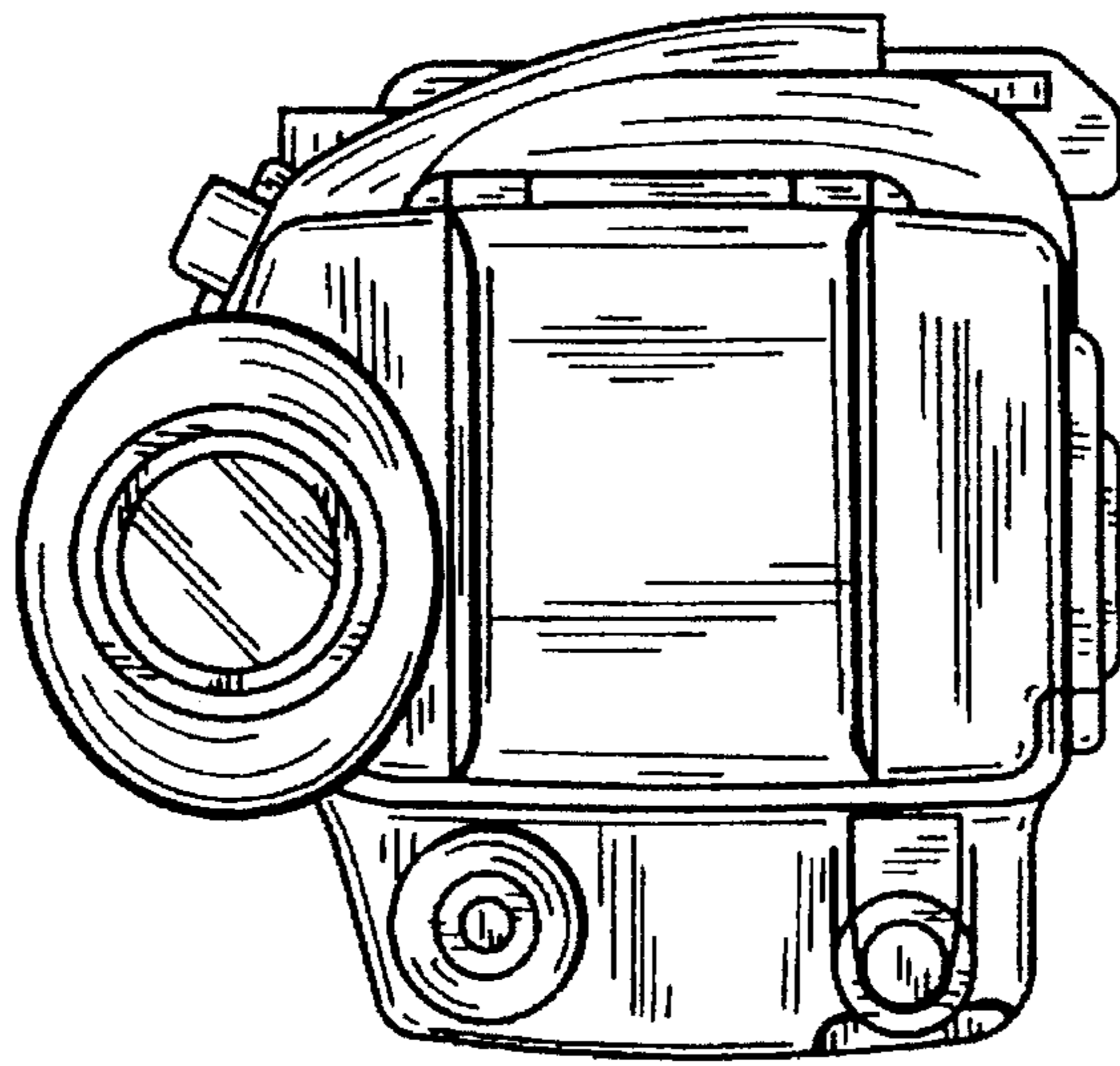
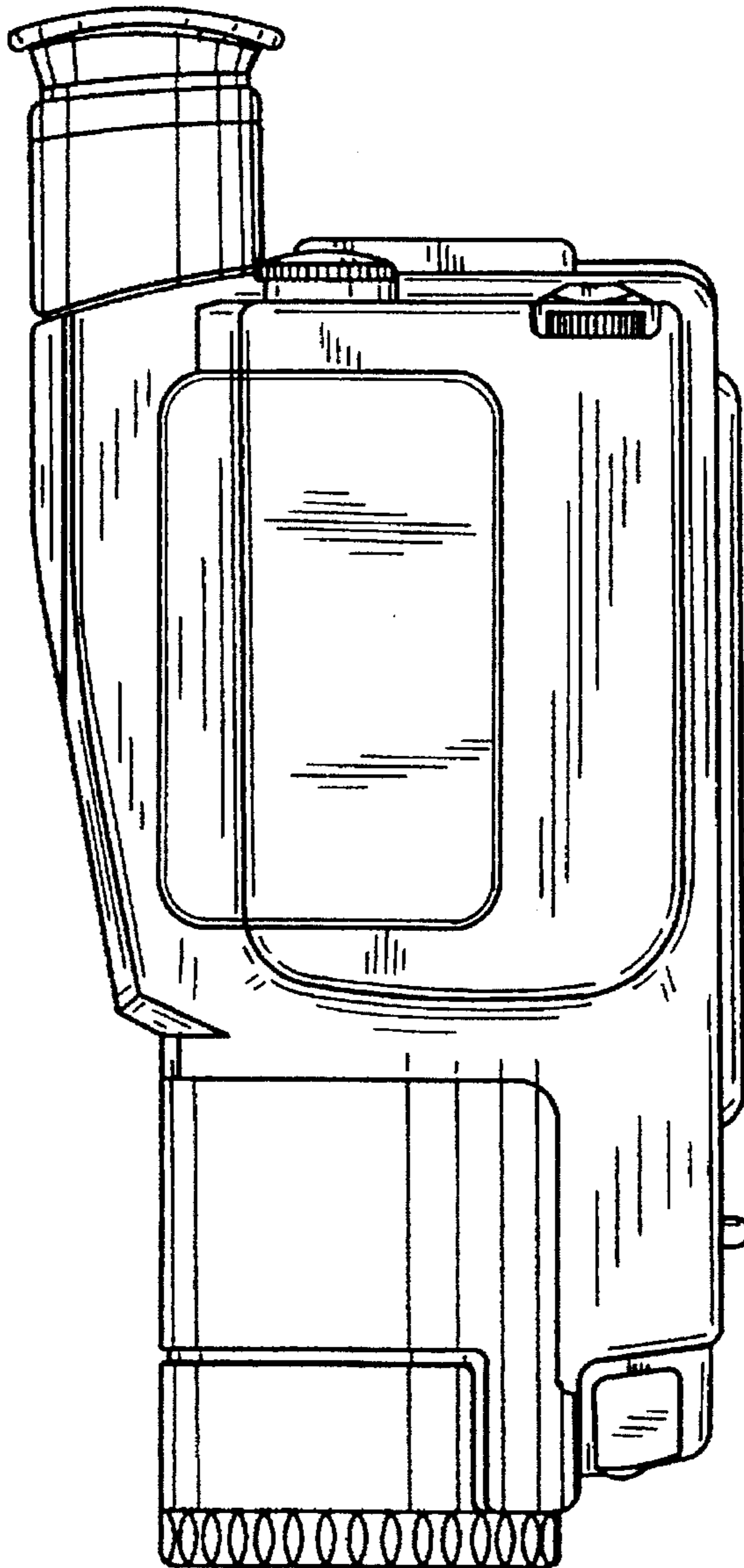


FIG. 6



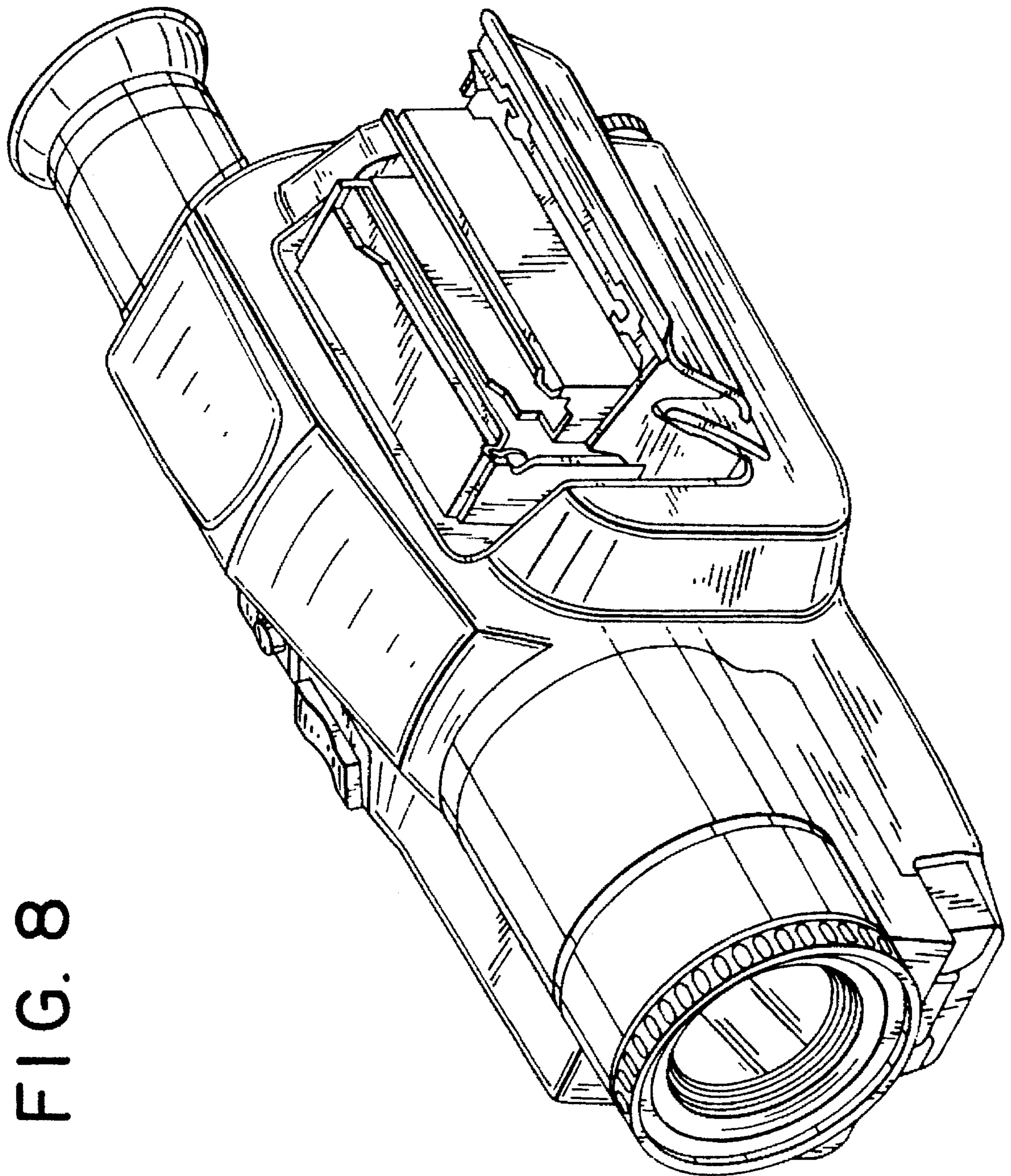


FIG. 8