



US00D381995S

United States Patent [19]

Sumita

[11] Patent Number: **Des. 381,995**

[45] Date of Patent: ****Aug. 5, 1997**

[54] **COMBINED VIDEO TAPE RECORDER AND CAMERA**

D. 356,589	3/1995	Sumita	D16/202
5,305,030	4/1994	Yokoyama et al.	354/64
5,444,507	8/1995	Palmer	354/82

[75] Inventor: **Kaoru Sumita**, Tokyo, Japan

FOREIGN PATENT DOCUMENTS

[73] Assignee: **Sony Corporation**, Tokyo, Japan

5-37833 2/1993 Japan H04N 5/225

[**] Term: **14 Years**

Primary Examiner—Sandra L. Morris
Assistant Examiner—Adir Aronovich
Attorney, Agent, or Firm—Foley & Lardner

[21] Appl. No.: **37,114**

[22] Filed: **Apr. 3, 1995**

[57] CLAIM

Related U.S. Application Data

The ornamental design for a combined video tape recorder and camera, as shown and described.

[63] Continuation-in-part of Ser. No. 34,706, Feb. 10, 1995, abandoned.

DESCRIPTION

[51] LOC (6) Cl. **16-01**

[52] U.S. Cl. **D16/202**

[58] Field of Search D16/200-208;
348/373-376; 354/82, 288; 358/906; H04N 2/225

FIG. 1 is a perspective view of a combined video tape recorder and camera showing my new design; FIG. 2 is a left side elevational view thereof; FIG. 3 is a front elevational view thereof; FIG. 4 is a top plan view thereof; FIG. 5 is a right side elevational view thereof; FIG. 6 is a bottom plan view thereof; and, FIG. 7 is a rear elevational view thereof.

[56] References Cited

U.S. PATENT DOCUMENTS

D. 346,614	5/1994	Sumita	D16/202
D. 355,664	2/1995	Kataoka	D16/202

1 Claim, 3 Drawing Sheets

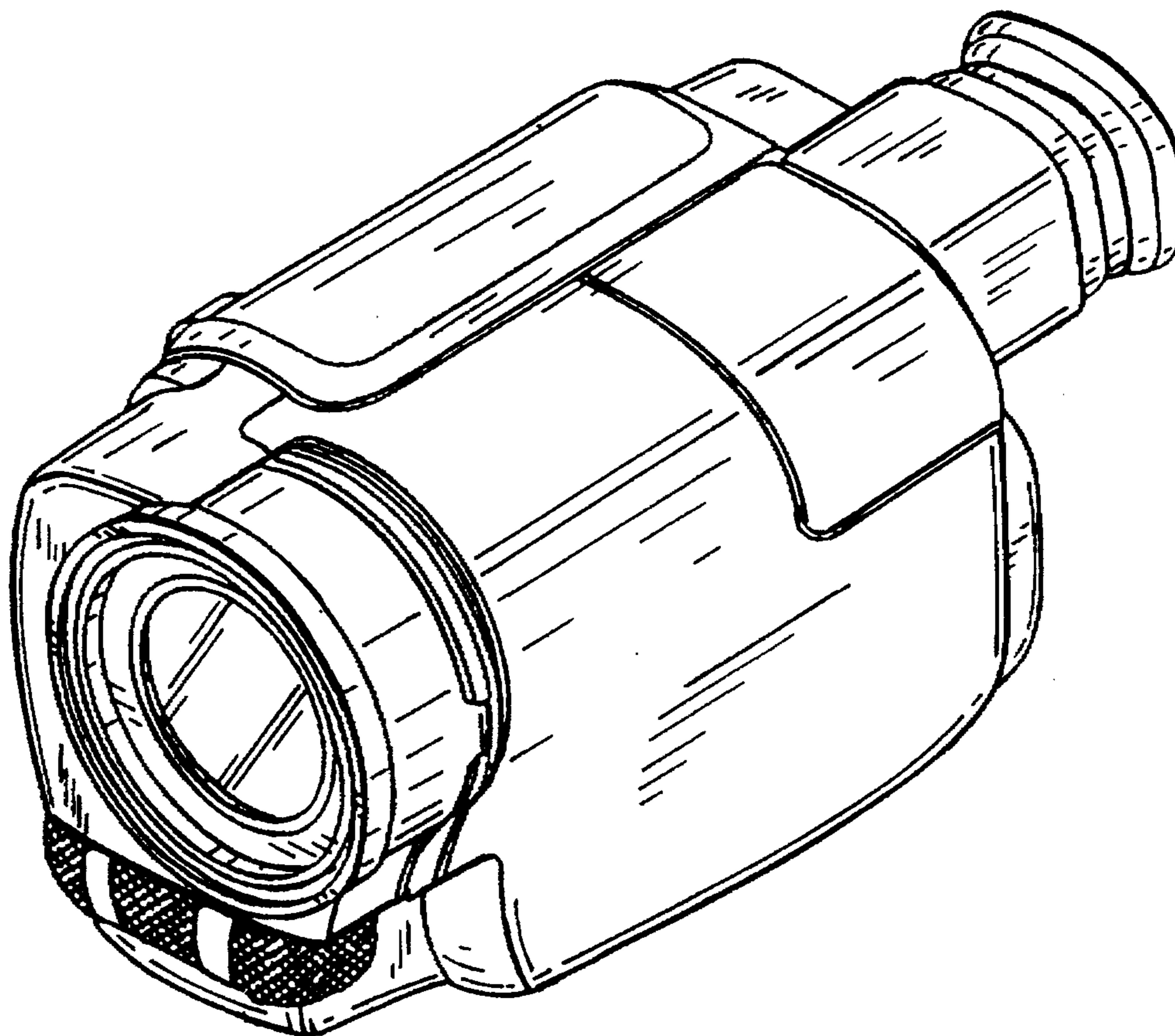


FIG. 1

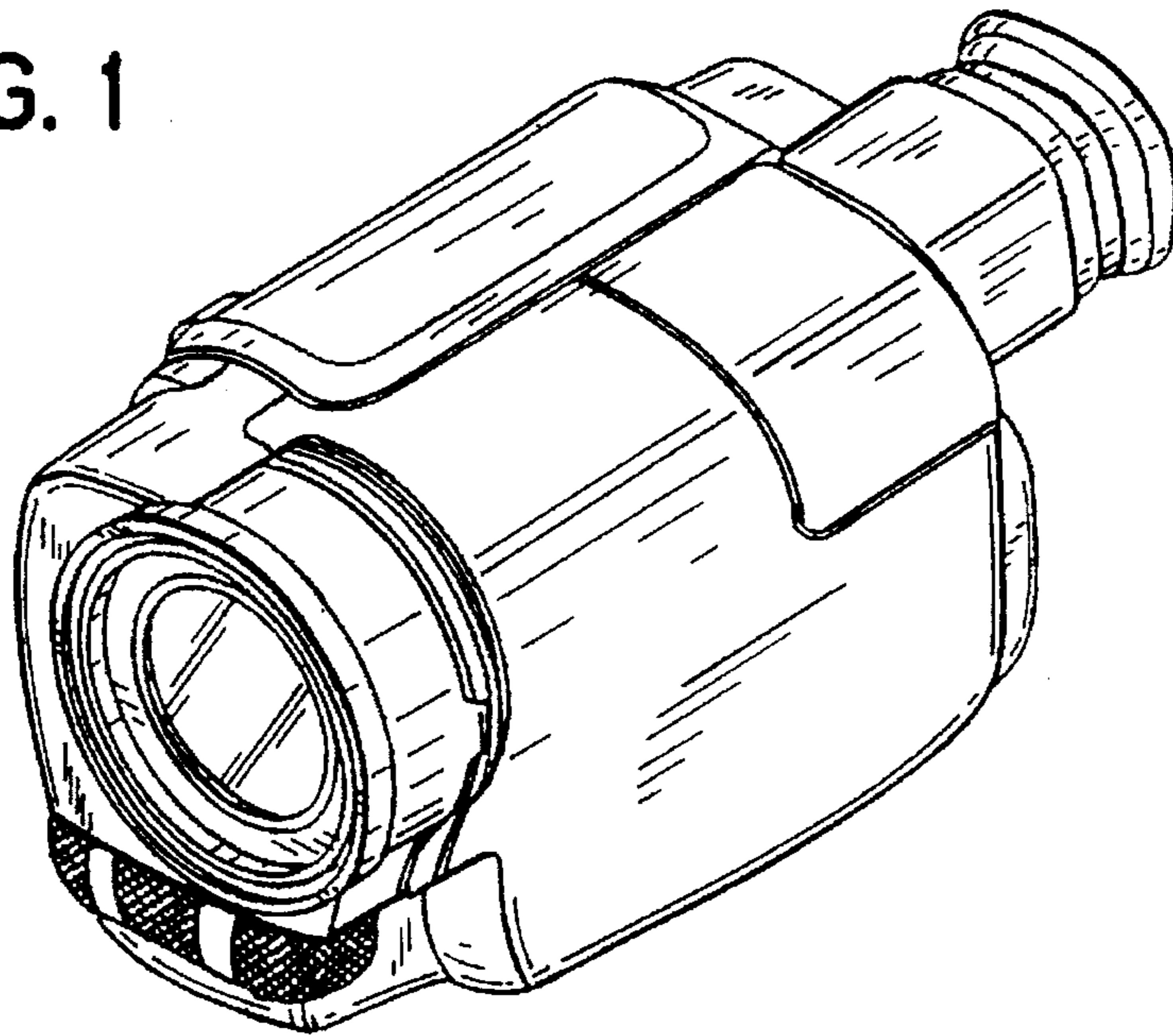


FIG. 2

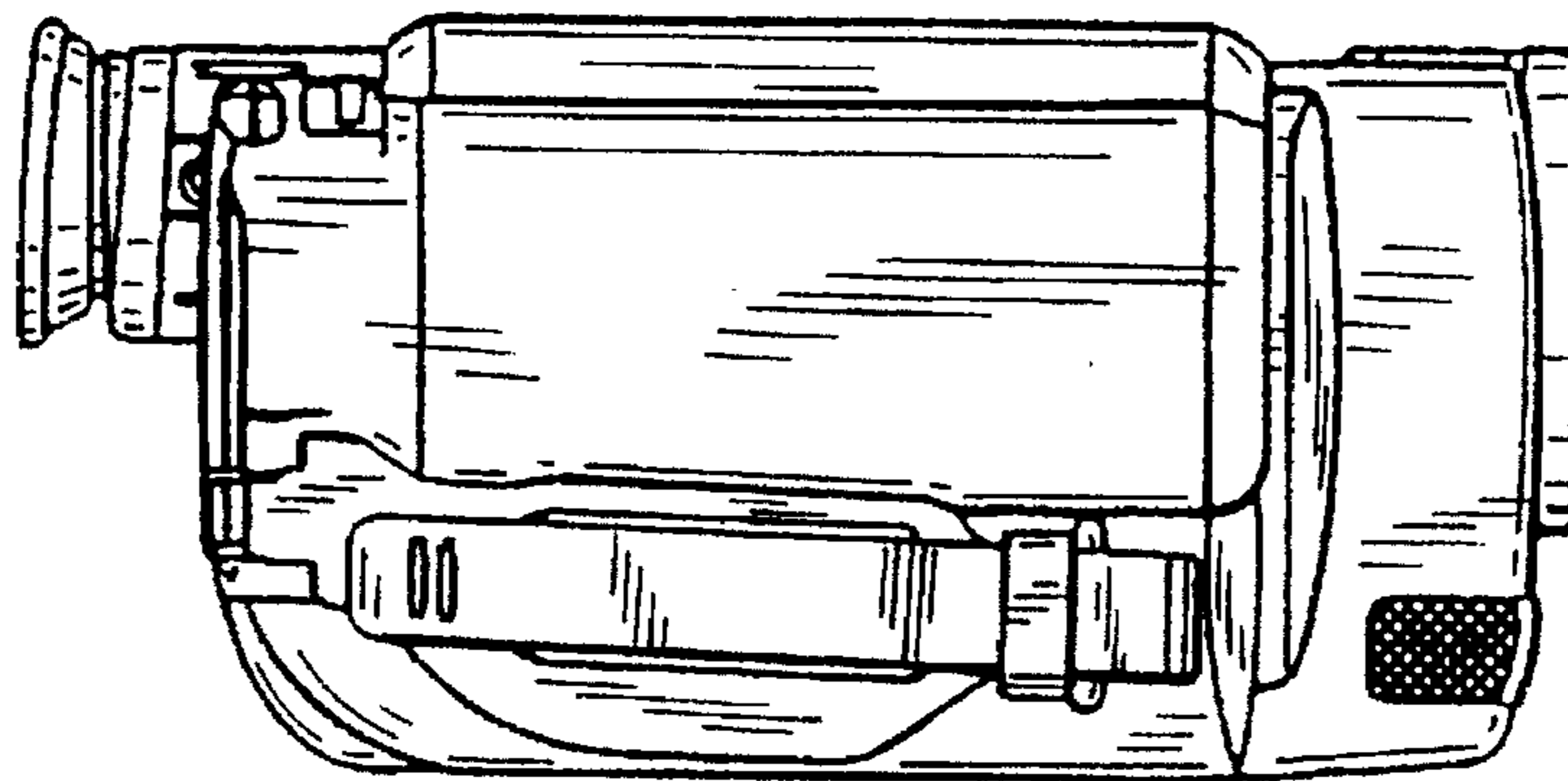


FIG. 3

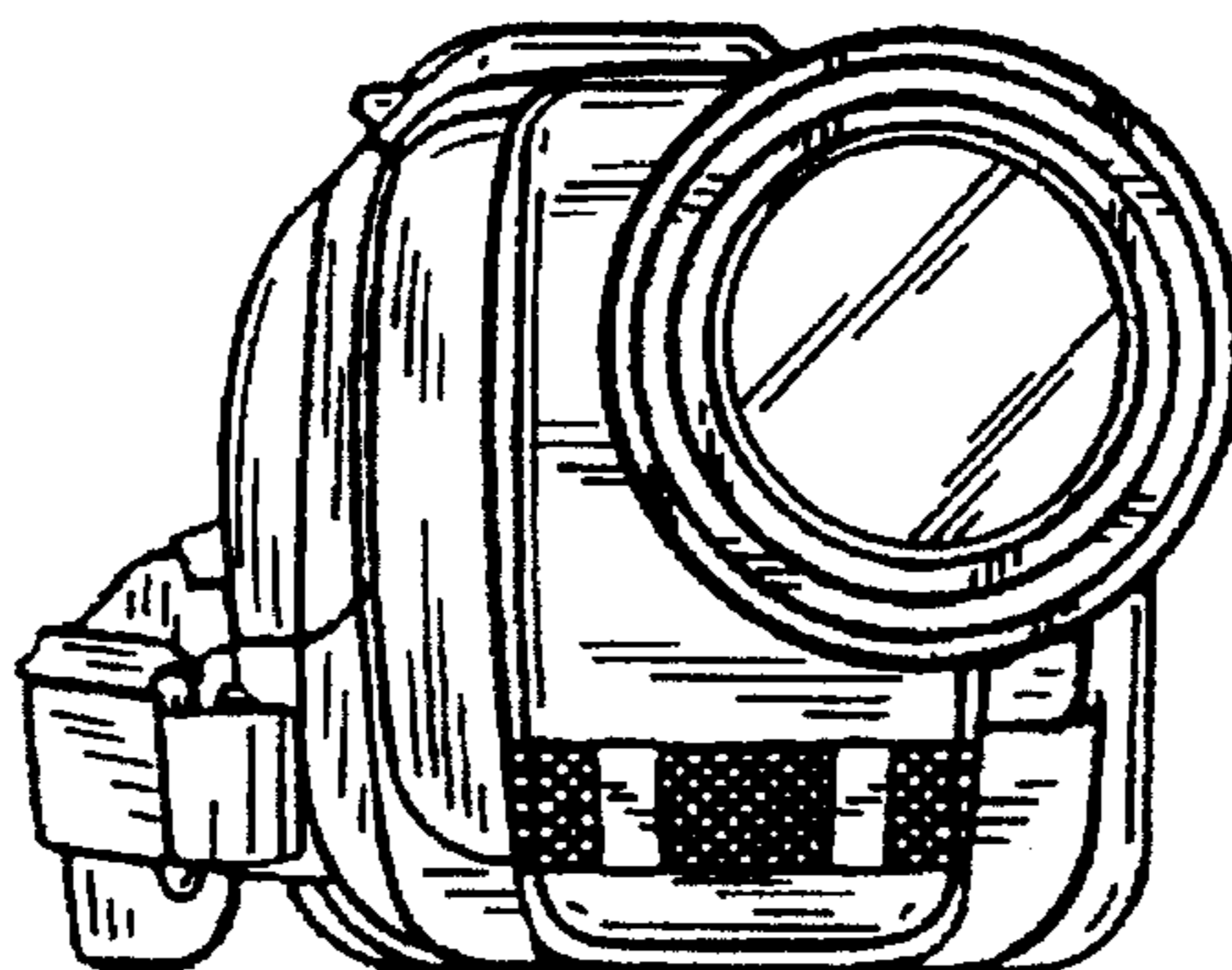


FIG. 4

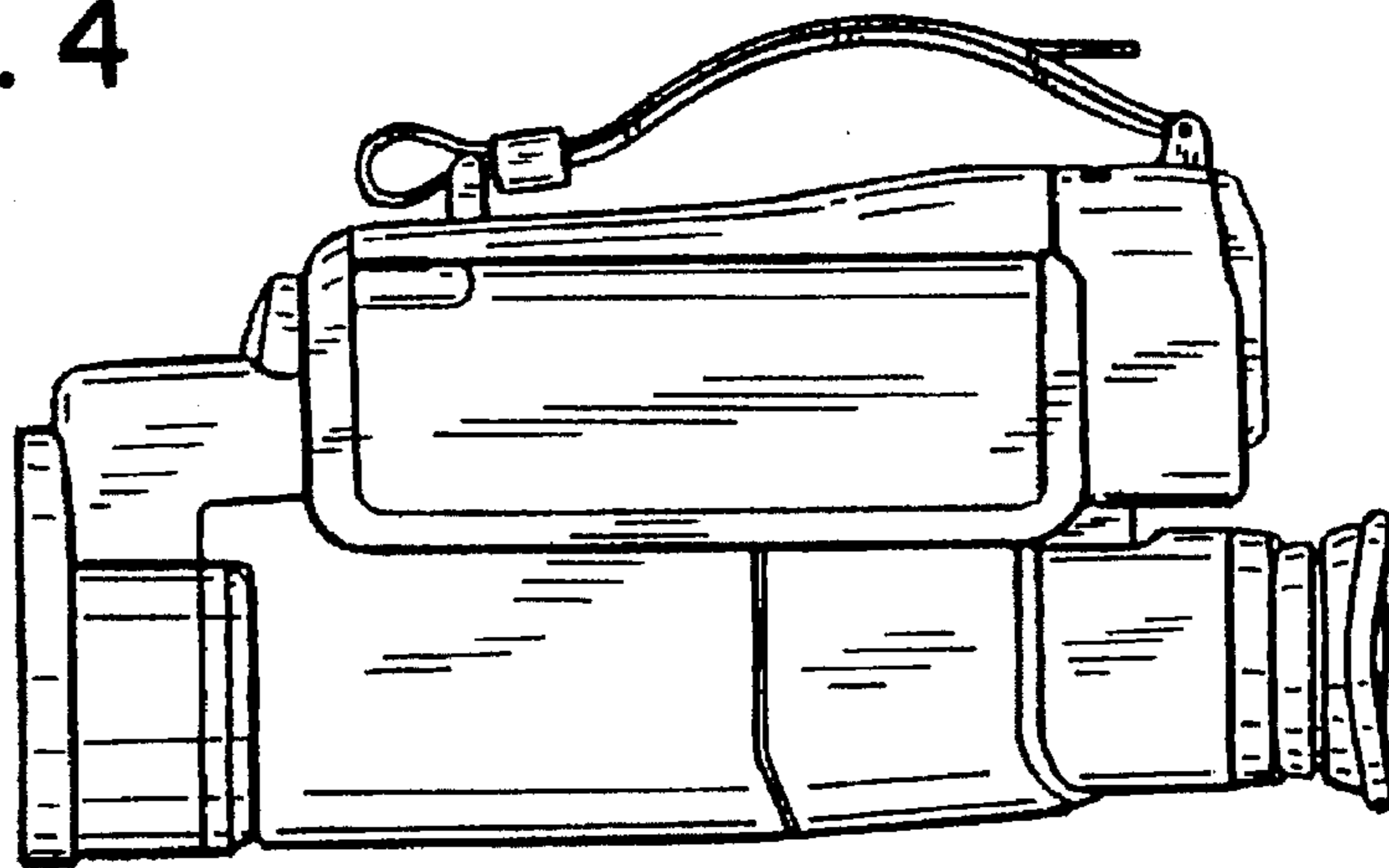


FIG. 5

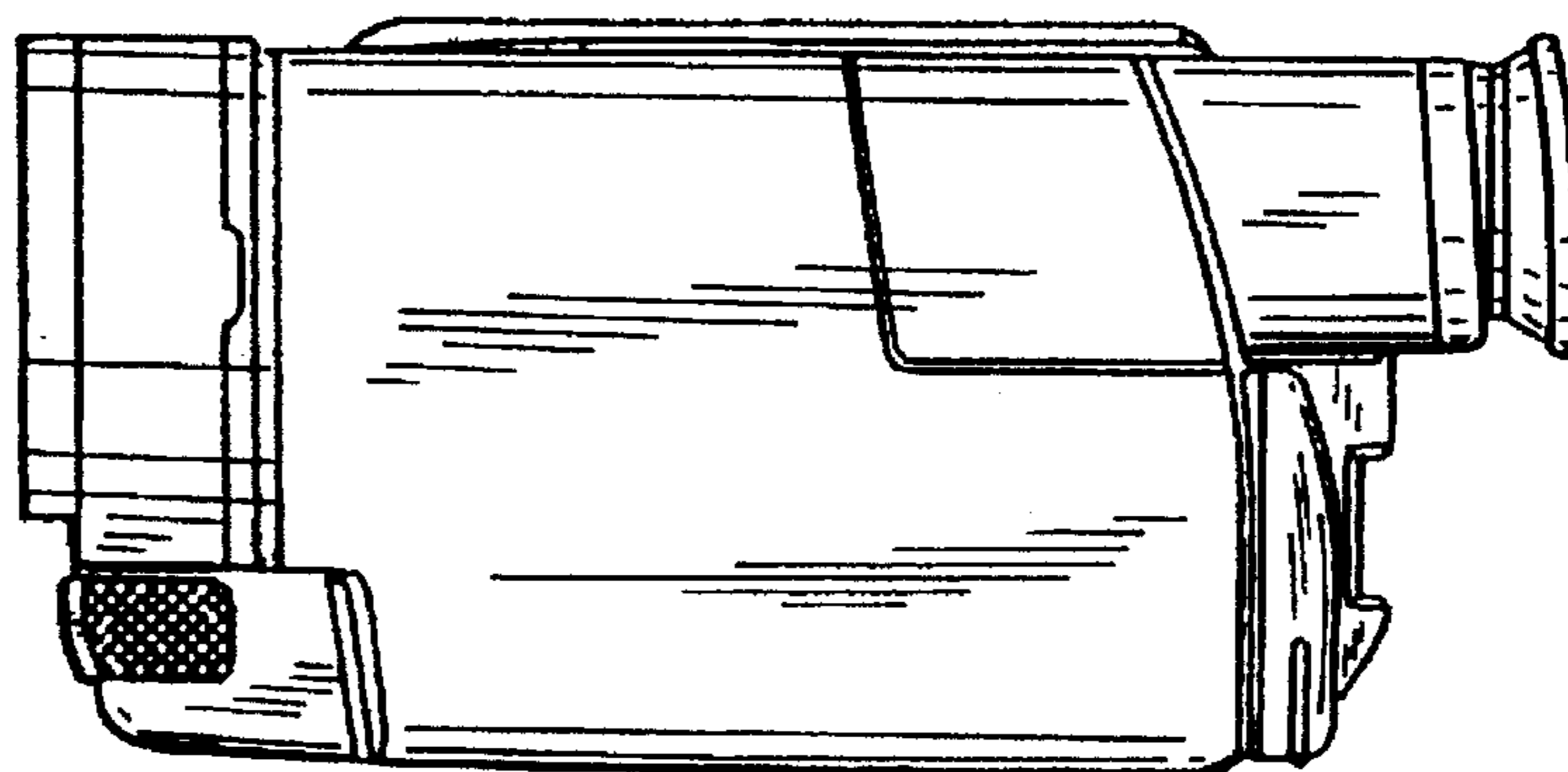


FIG. 6

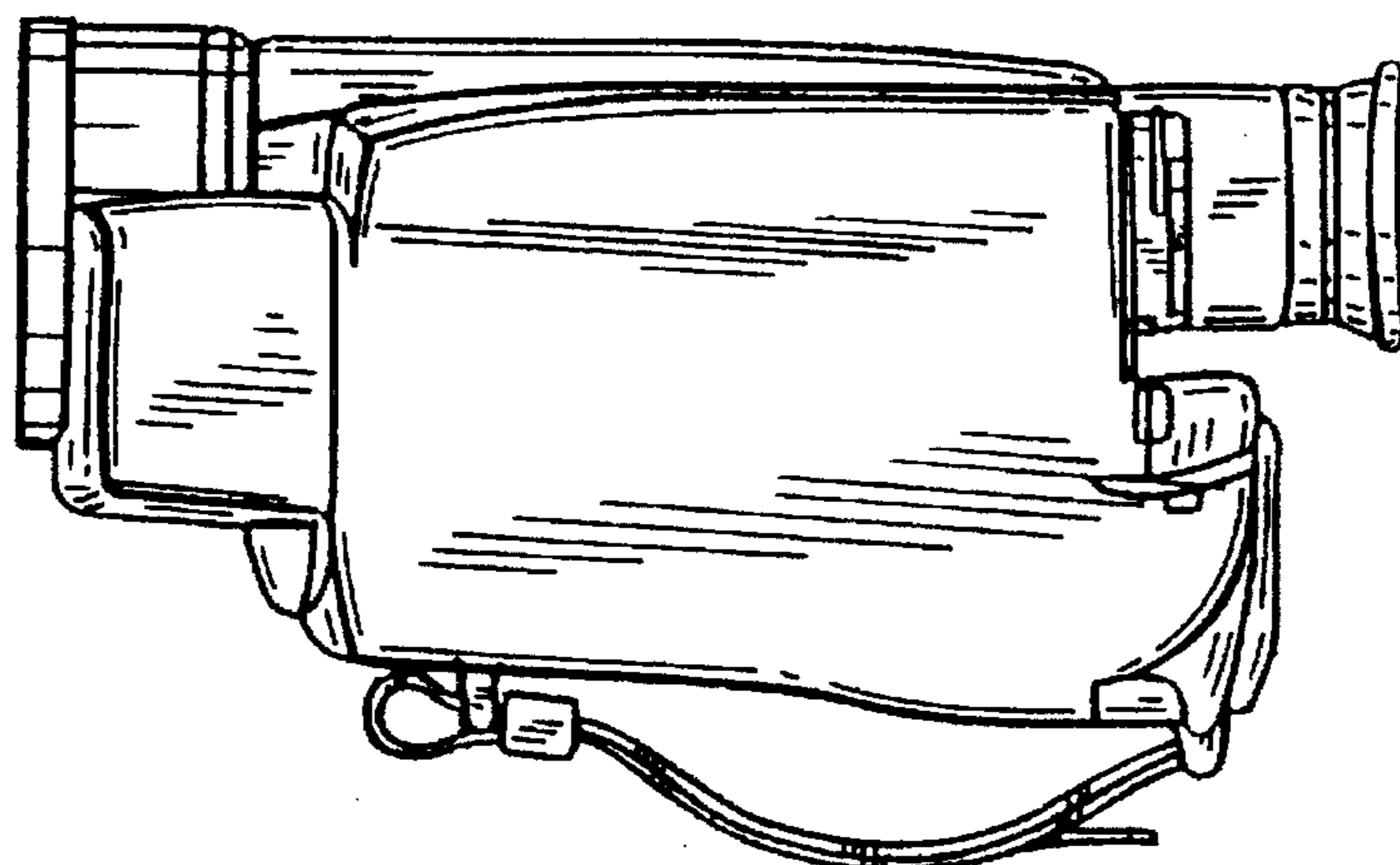


FIG. 7

