



US00D381994S

United States Patent [19]
Weirick

[11] **Patent Number: Des. 381,994**
[45] **Date of Patent: **Aug. 5, 1997**

[54] **WOOD CUTTER**

5,035,166 7/1991 Carlson et al. .
5,144,994 9/1992 Stecker, Sr. .

[76] **Inventor: Richard D. Weirick**, 18833 County Rd.
410, West Lafayette, Ohio 43845

Primary Examiner—Antoine Duval Davis
Attorney, Agent, or Firm—Dennis H. Lambert

[**] **Term: 14 Years**

[57] **CLAIM**

[21] **Appl. No.: 40,233**

The ornamental design for an wood cutter, as shown and described.

[22] **Filed: Jun. 13, 1995**

DESCRIPTION

[51] **LOC (6) Cl. 15-09**

[52] **U.S. Cl. D15/127**

[58] **Field of Search** D15/127, 133;
83/477.2, 574, 701, 928, 471.3, 471.2,
486.1, 468.1; 144/287, 286.5; 269/1

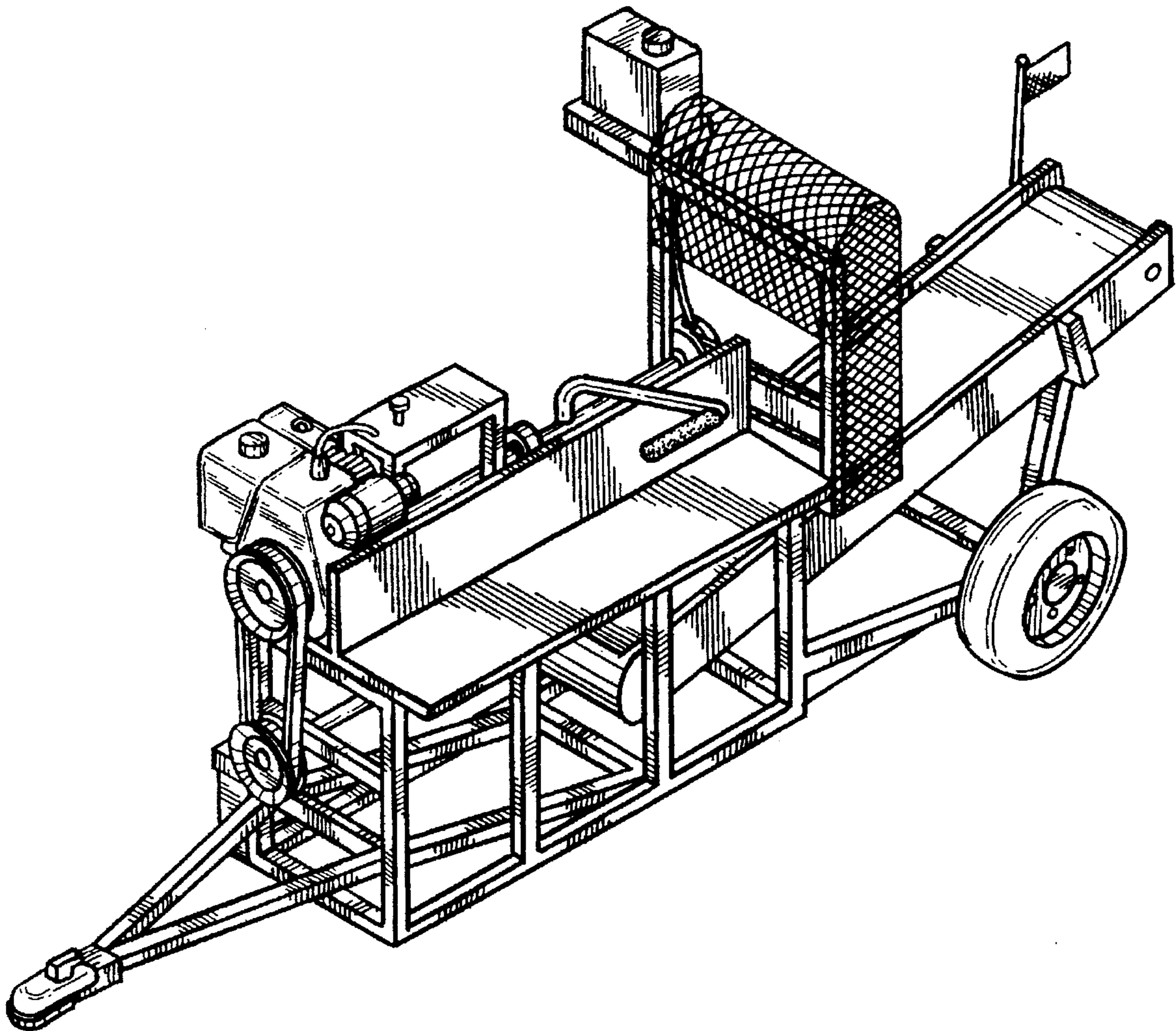
FIG. 1 is a front, top and side perspective view of the wood cutter showing my new design;
FIG. 2 is a front elevational view thereof;
FIG. 3 is a rear elevational view thereof;
FIG. 4 is a left hand side elevational view thereof;
FIG. 5 is a right a hand side elevational view thereof;
FIG. 6 is a top plan view thereof; and,
FIG. 7 is a bottom plan view thereof.

[56] **References Cited**

U.S. PATENT DOCUMENTS

3,747,457 7/1973 Thompson 83/471.2
4,573,385 3/1986 Funkhouser .

1 Claim, 4 Drawing Sheets



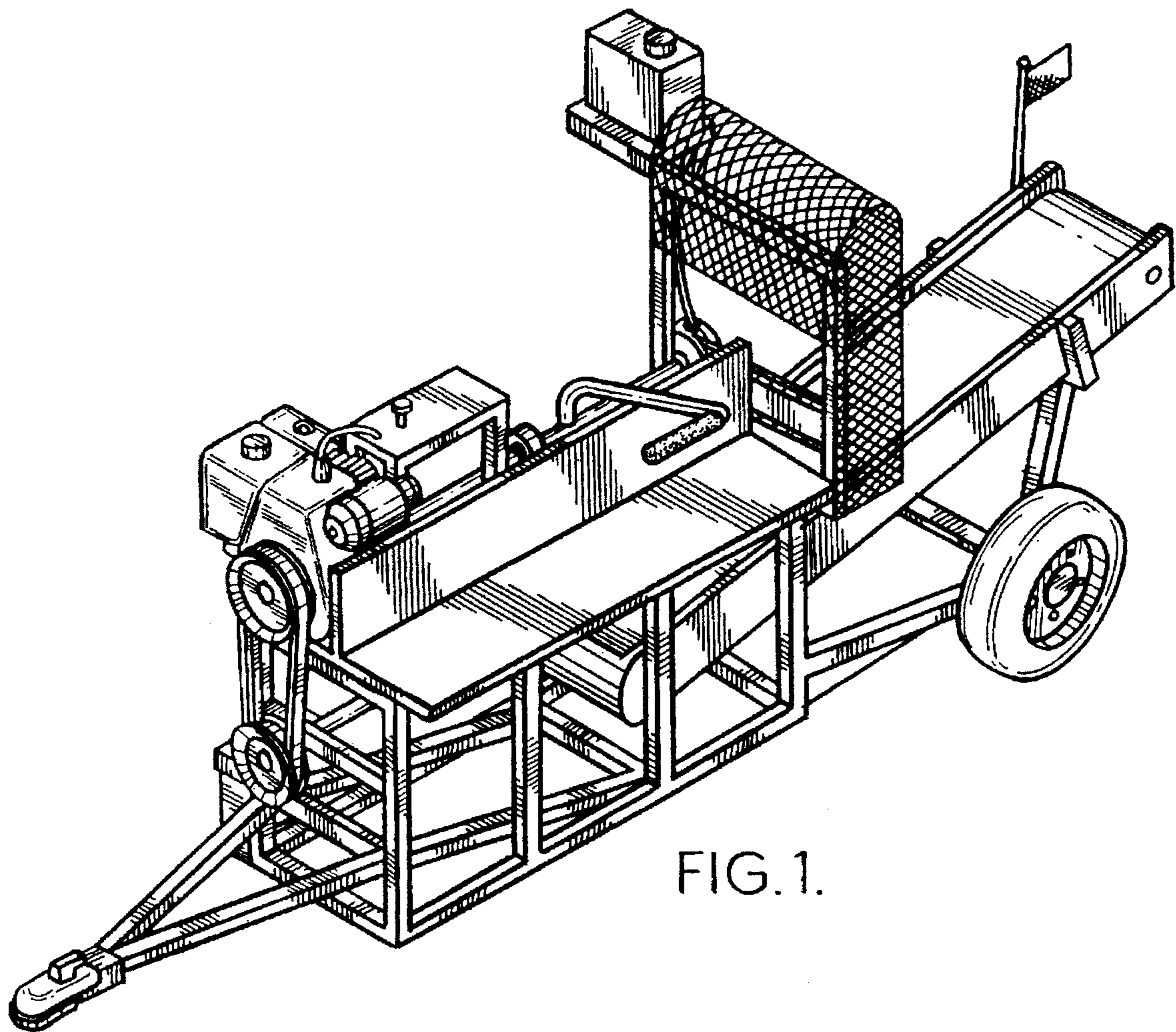


FIG. 1.

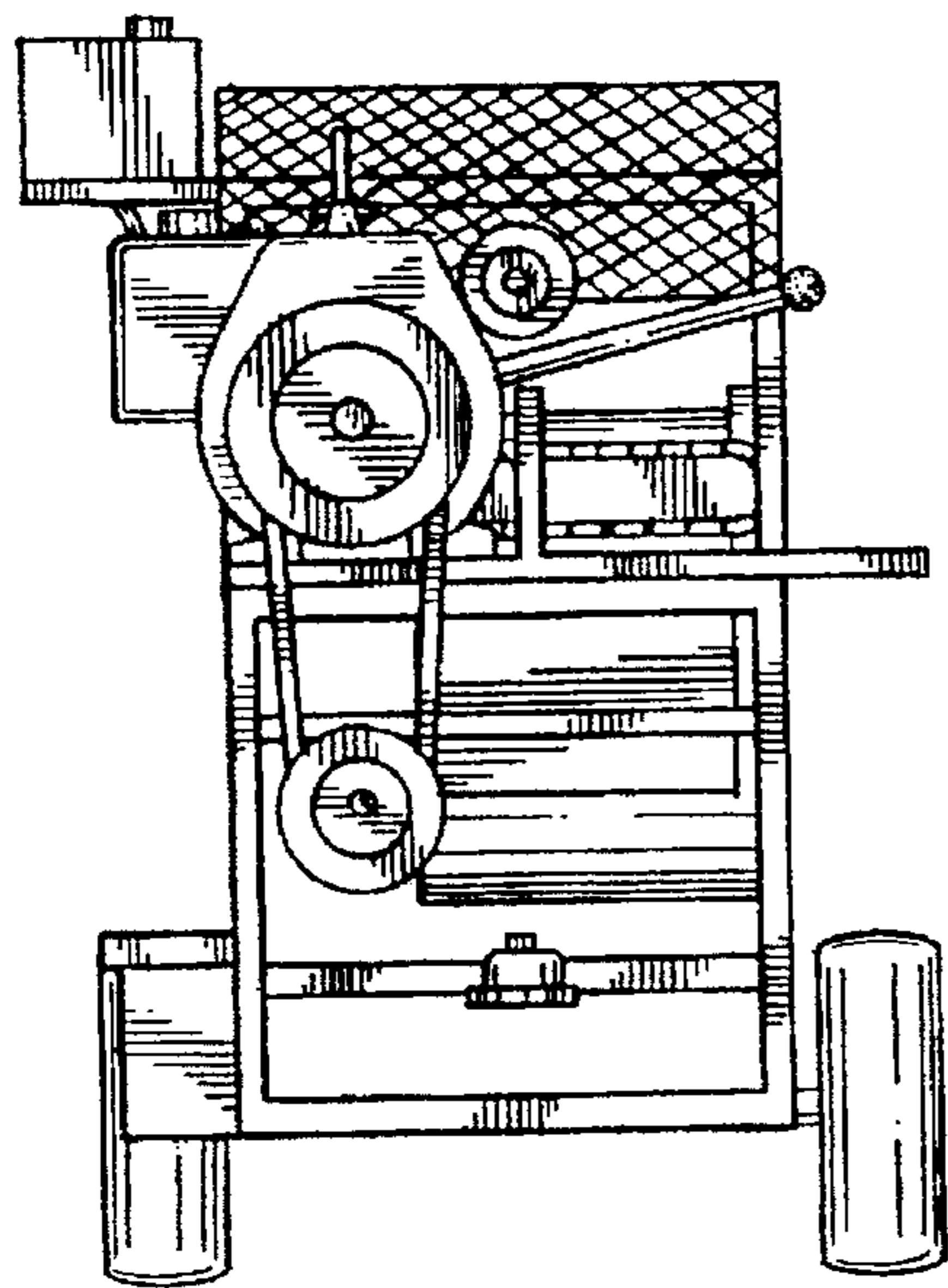
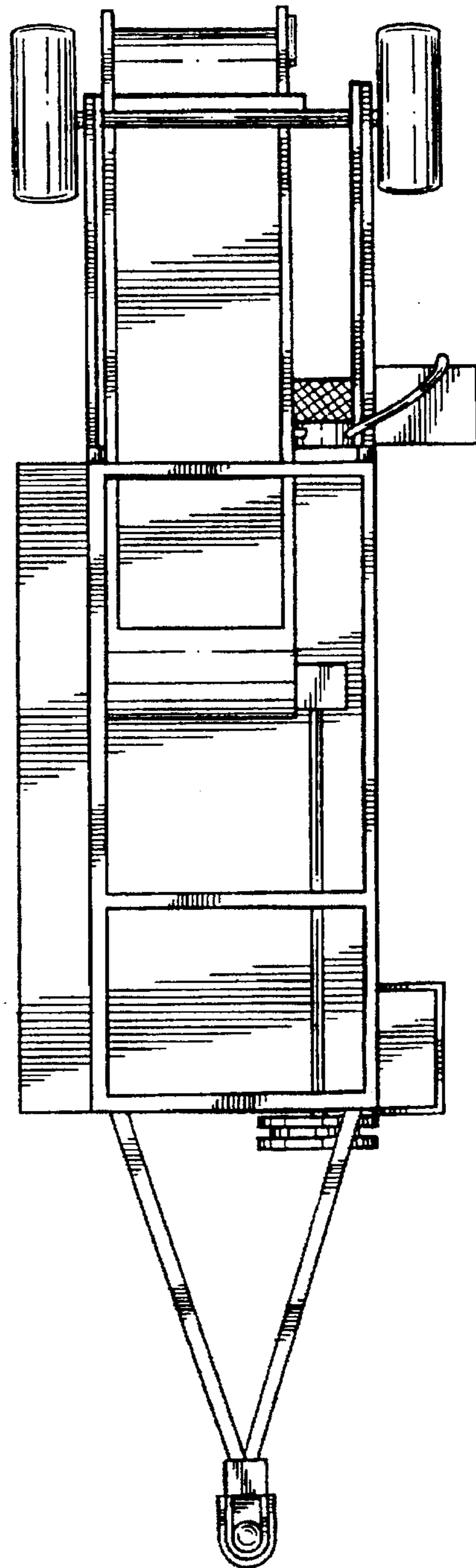


FIG. 2.

FIG. 7.



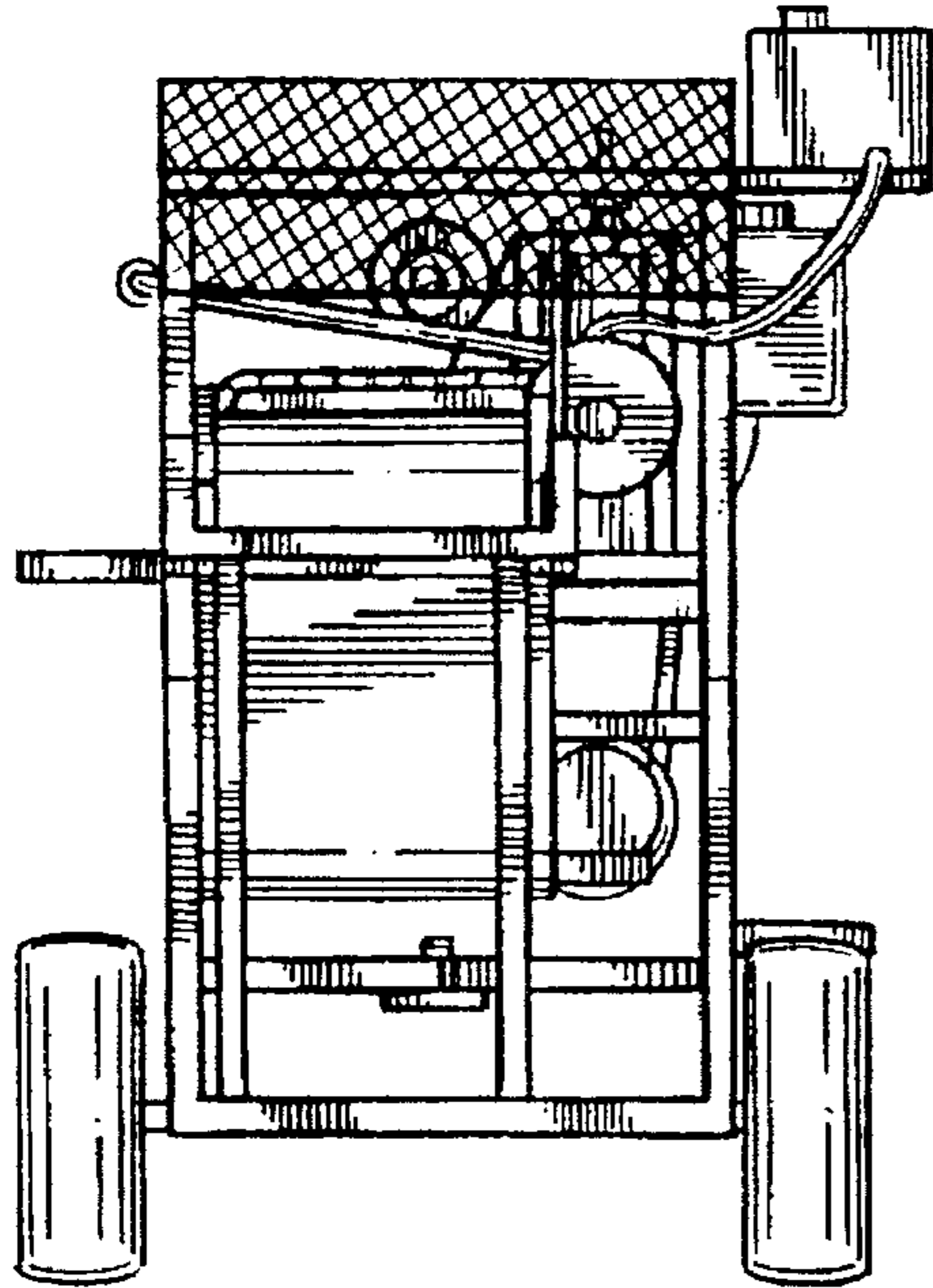


FIG. 3.

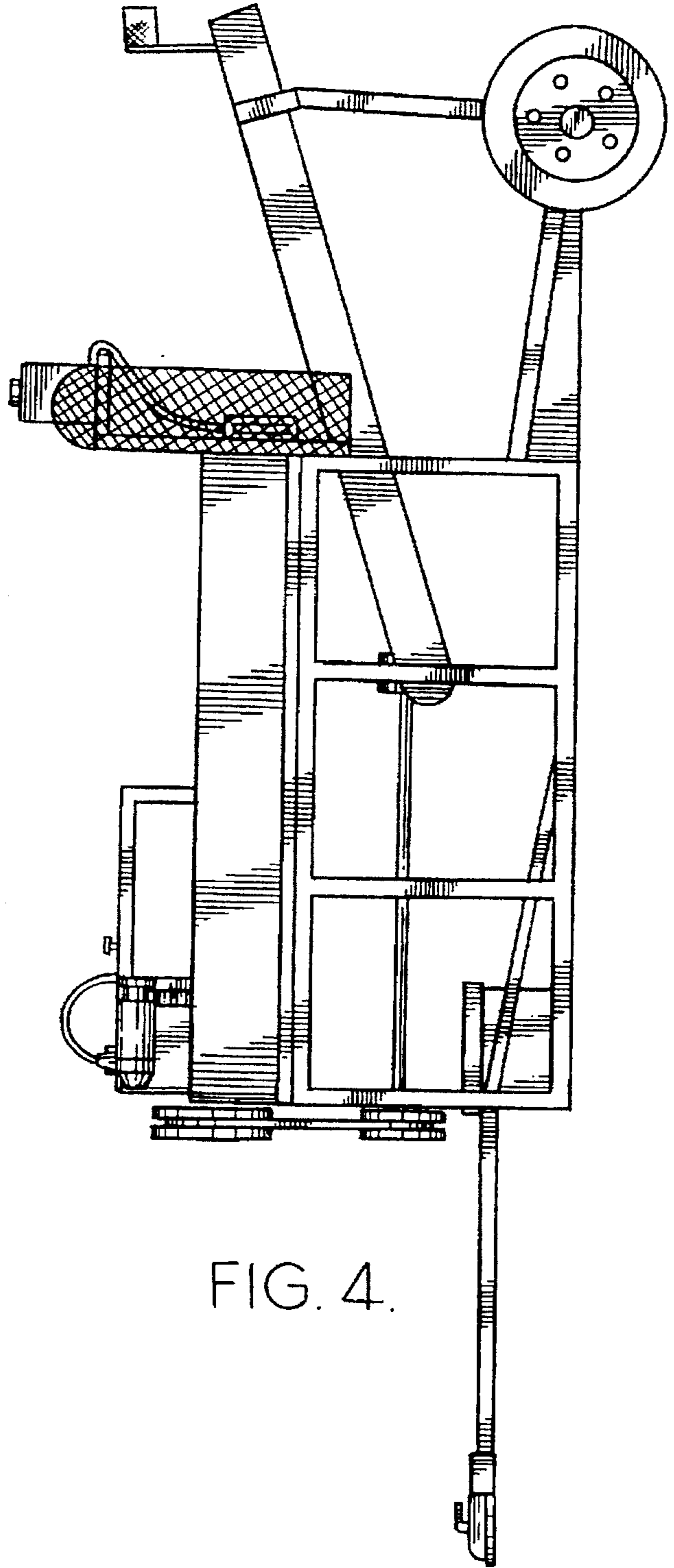


FIG. 4.

