



US00D381978S

United States Patent [19]

Nakada et al.

[11] Patent Number: **Des. 381,978**

[45] Date of Patent: ****Aug. 5, 1997**

[54] **PERSONAL COMPUTER INFRA-RED COMMUNICATION DEVICE**

[75] Inventors: **Kazuo Nakada**, Sagamihara; **Kazuhiko Yamazaki**, Hiratuka, both of Japan

[73] Assignee: **International Business Machines Corp.**, Armonk, N.Y.

[**] Term: **14 Years**

[21] Appl. No.: **44,245**

[22] Filed: **Sep. 21, 1995**

[51] LOC (6) Cl. **14-03**

[52] U.S. Cl. **D14/137; D14/217**

[58] Field of Search D14/137, 138, D14/139, 124, 155, 159, 299, 217, 114; 455/73, 89, 90, 128; D10/104, 121; D21/111, 113

[56] **References Cited**

U.S. PATENT DOCUMENTS

D. 283,892 5/1986 Cutler D14/137

- D. 310,664 9/1990 Murphy D14/137
- D. 311,536 10/1990 Reeves et al. D14/137
- D. 347,218 5/1994 Shuler D14/137
- D. 350,347 9/1994 Tracy et al. D14/137
- D. 359,281 6/1995 Grasso et al. D14/137

Primary Examiner—Prabhakar G. Deshmukh
Attorney, Agent, or Firm—Anthony N. Magistrale

[57] **CLAIM**

The ornamental design for a personal computer infra-red communication device, as shown and described.

DESCRIPTION

FIG. 1 is a front, top and left side view of a personal computer infra-red communication device according to the present invention;
FIG. 2 is a front elevational view thereof;
FIG. 3 is a rear elevational view thereof;
FIG. 4 is a top plan view thereof;
FIG. 5 is a bottom plan view thereof;
FIG. 6 is a right side elevational view thereof; and,
FIG. 7 is a left side elevational view thereof.

1 Claim, 5 Drawing Sheets

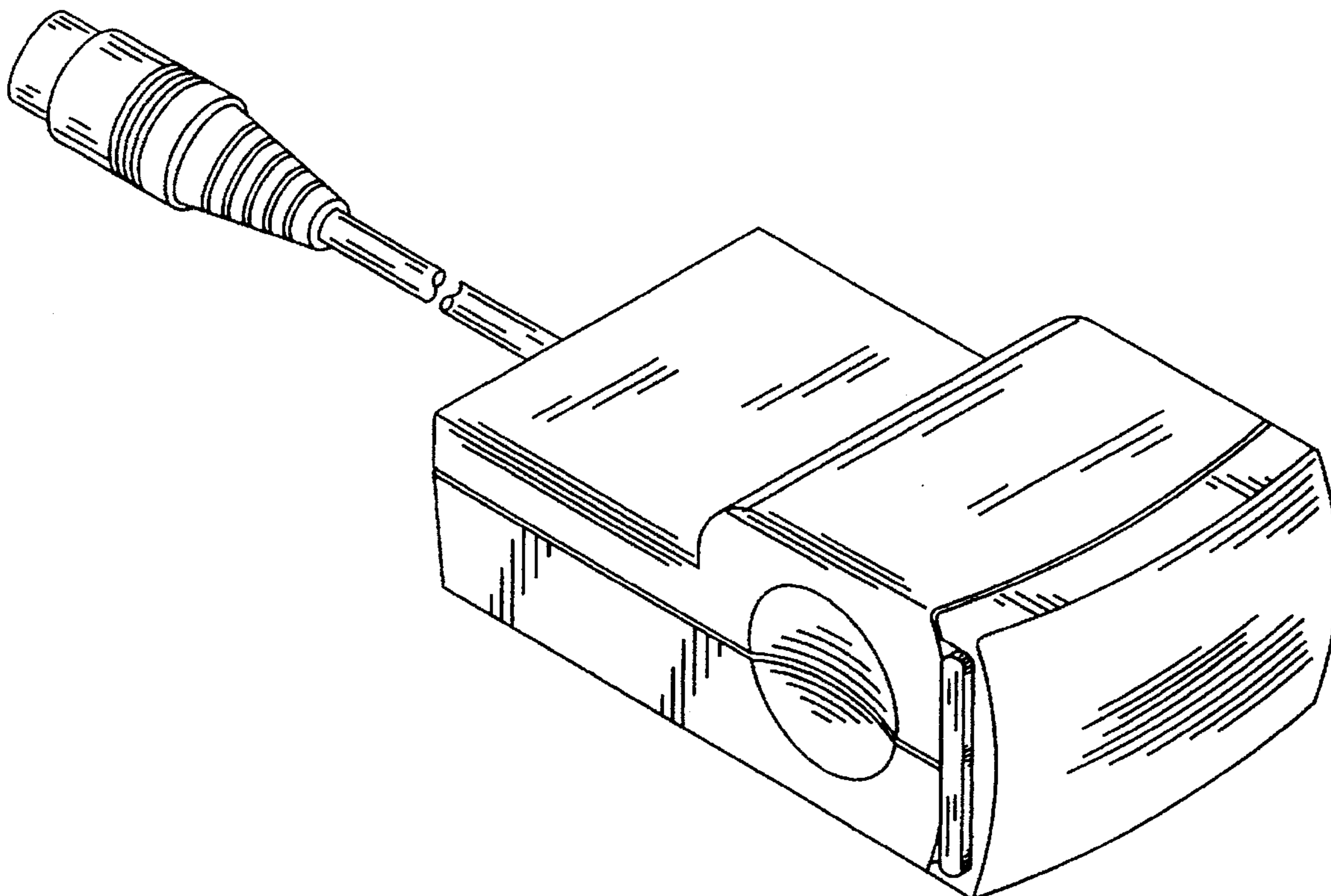


FIG. 1

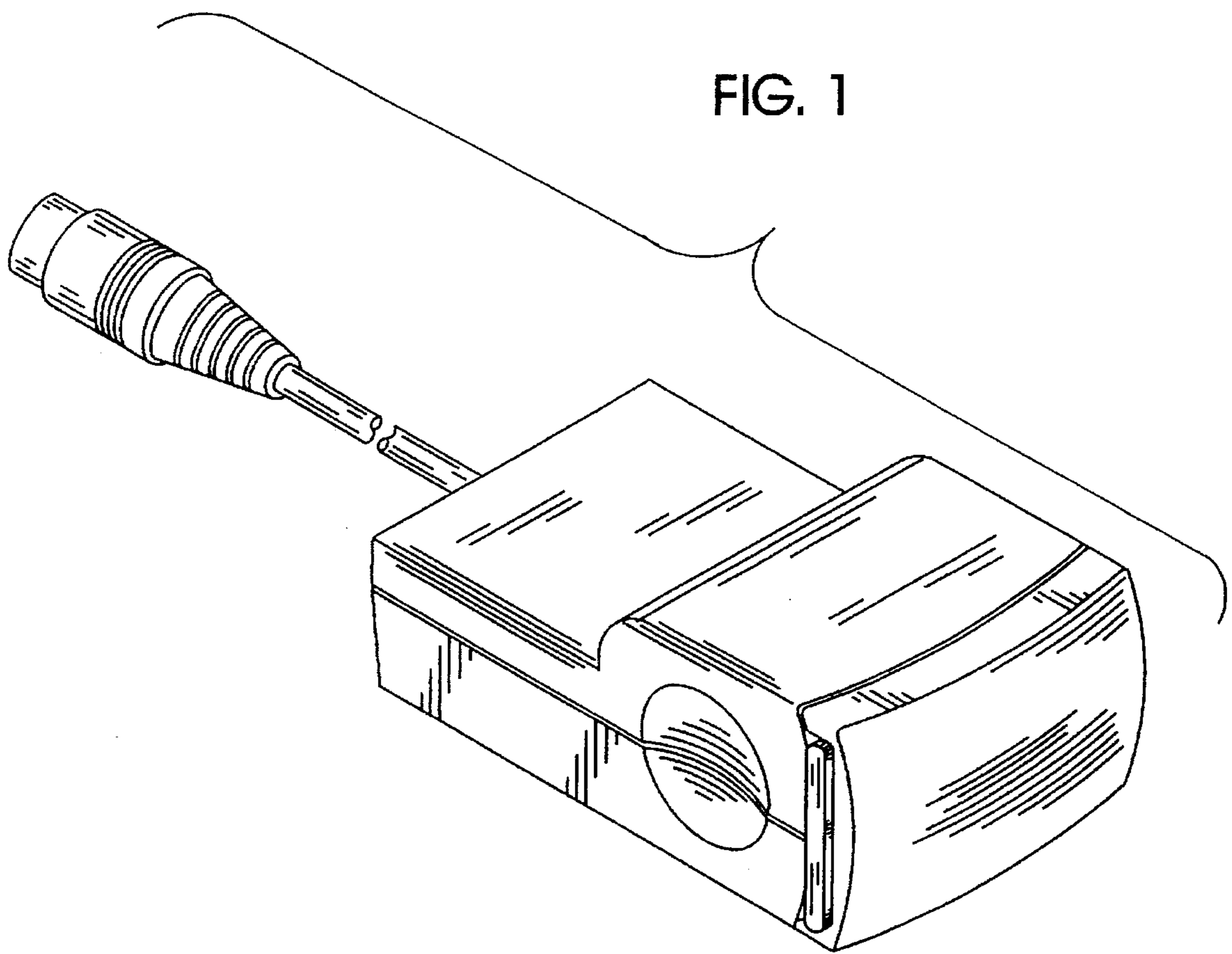


FIG. 2

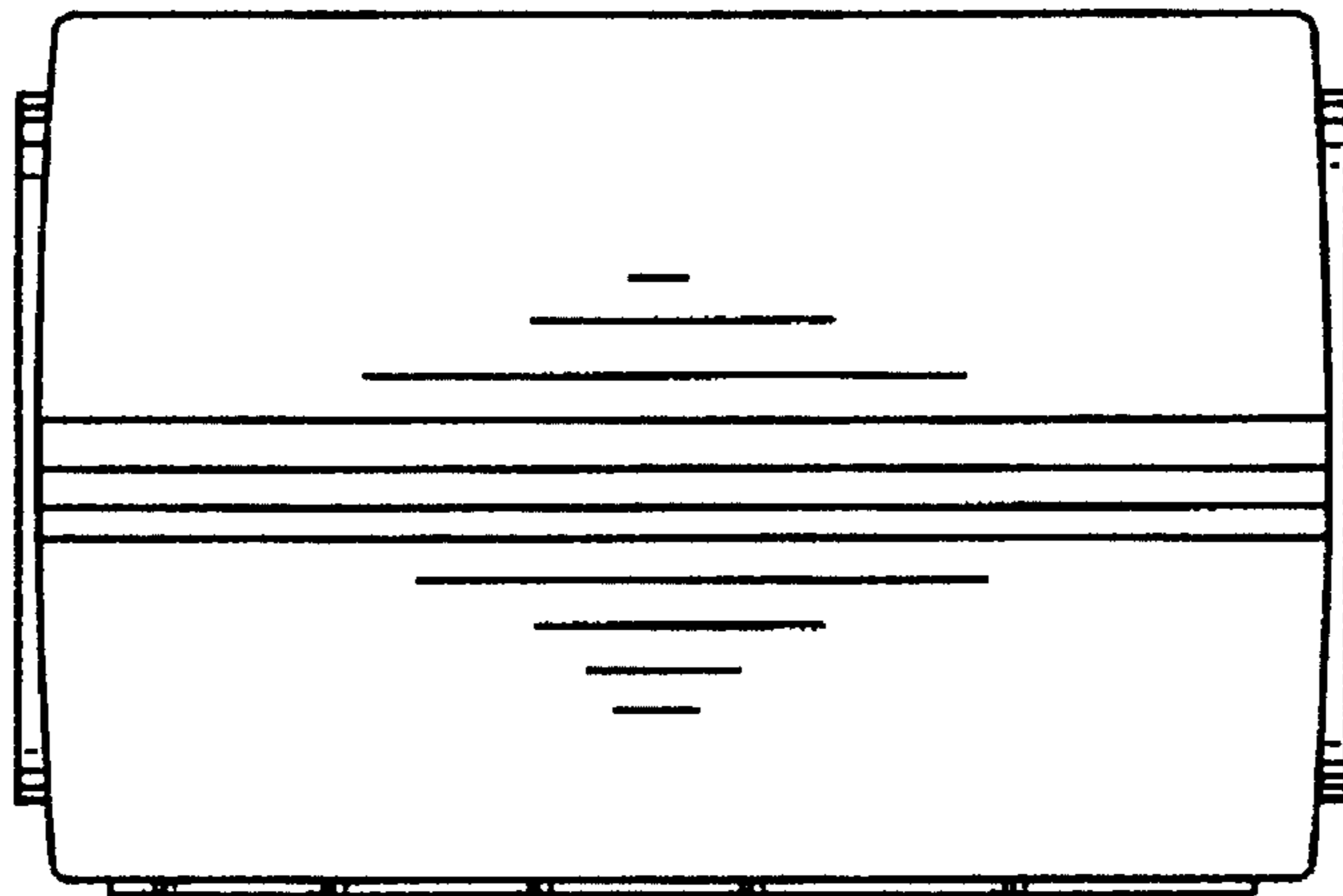
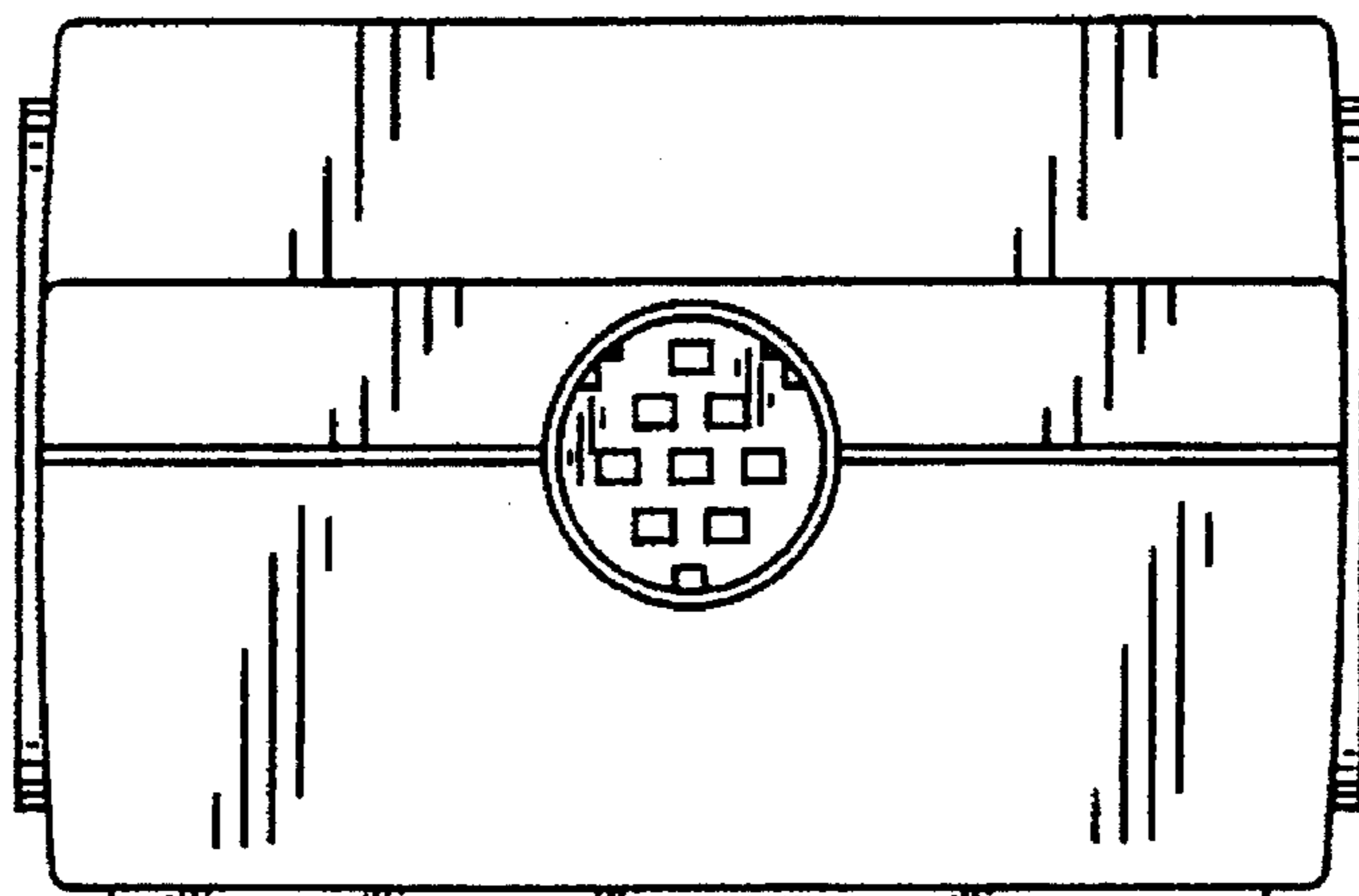


FIG. 3



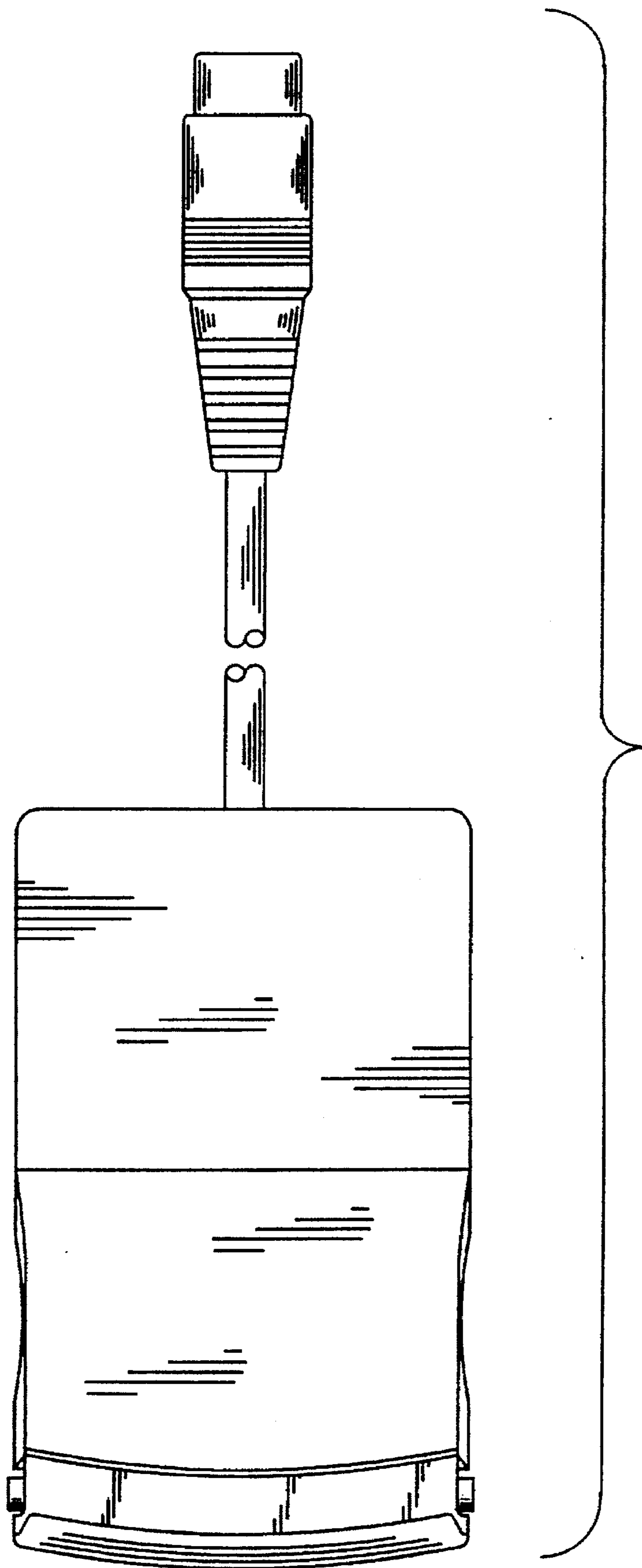


FIG. 4

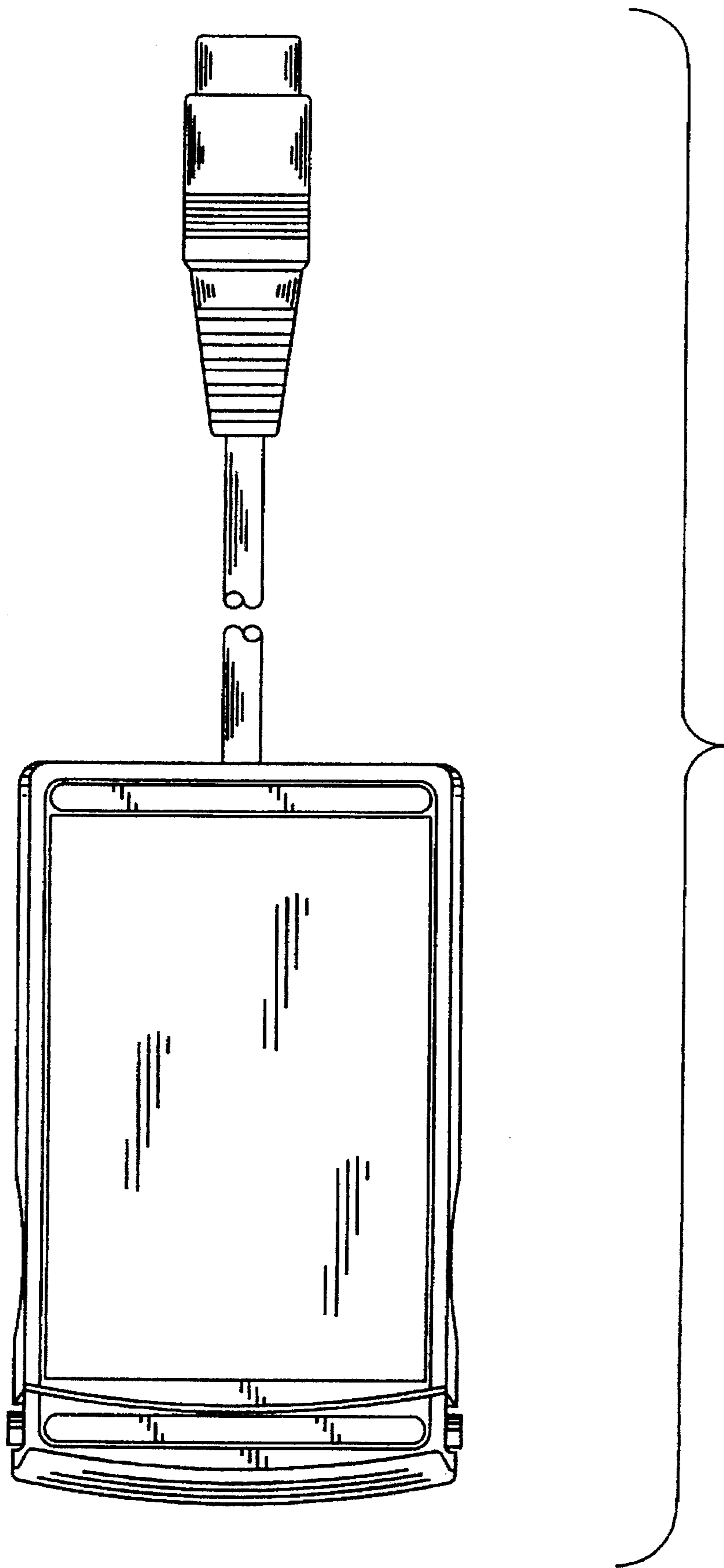


FIG. 5

FIG. 6

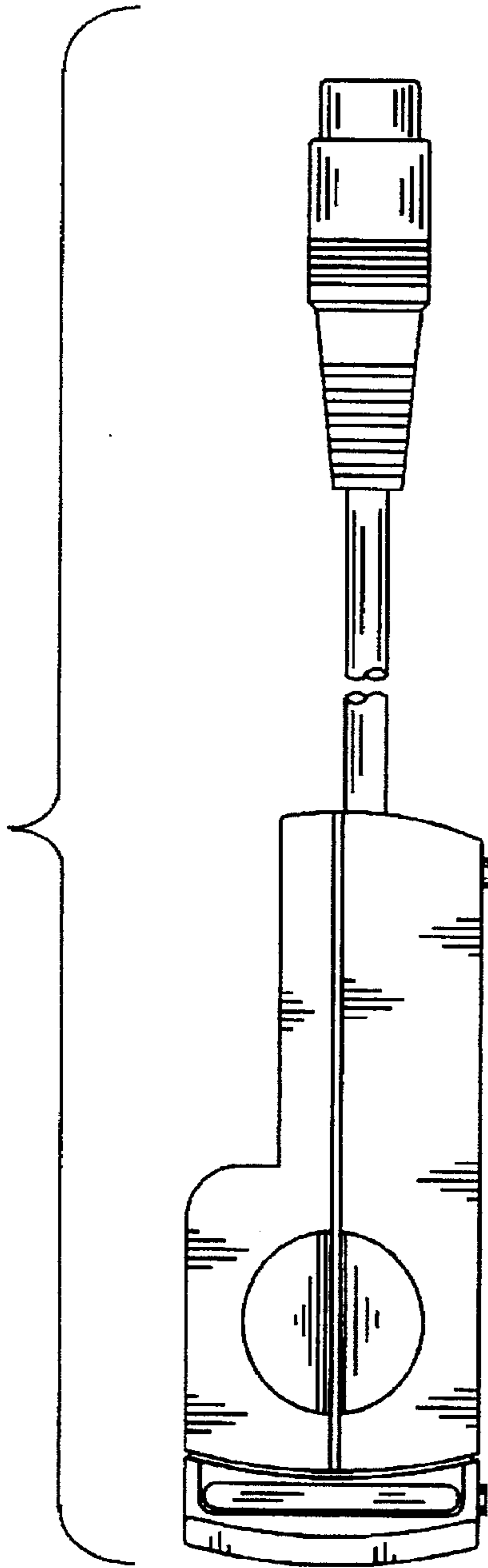


FIG. 7

