



US00D381974S

# United States Patent [19]

Alfonso

[11] Patent Number: **Des. 381,974**

[45] Date of Patent: **\*\*Aug. 5, 1997**

[54] **FRONT BEZEL OF A HARD DISK DRAWER FOR A RACK SYSTEM**

[75] Inventor: **Pedro Marcos Alfonso**, Austin, Tex.

[73] Assignee: **International Business Machines Corporation**, Armonk, N.Y.

[\*\*] Term: **14 Years**

[21] Appl. No.: **52,208**

[22] Filed: **Mar. 26, 1996**

[51] LOC (6) Cl. .... **14-02**

[52] U.S. Cl. .... **D14/115**

[58] **Field of Search** ..... D14/100, 102, D14/107, 114, 115, 257; D13/164, 177, 154, 184; 361/694, 697, 683, 684, 724; D6/510

[56] **References Cited**

**U.S. PATENT DOCUMENTS**

- D. 153,051 3/1949 Waggoner ..... D13/164 X
- D. 215,848 11/1969 Stallebrass ..... D13/177 X
- D. 306,438 3/1990 Garmon et al. .... D14/115

- D. 339,755 9/1993 Bonnell ..... D13/177 X
- D. 355,197 2/1995 Farinelli et al. .... D14/257
- D. 359,481 6/1995 Alfonso et al. .... D14/115
- D. 362,843 10/1995 Alfonso et al. .... D14/102
- D. 364,149 11/1995 Alfonso ..... D14/102
- D. 370,475 6/1996 Alfonso et al. .... D14/115

*Primary Examiner*—Jeffrey Asch  
*Attorney, Agent, or Firm*—Richard A. Henkler

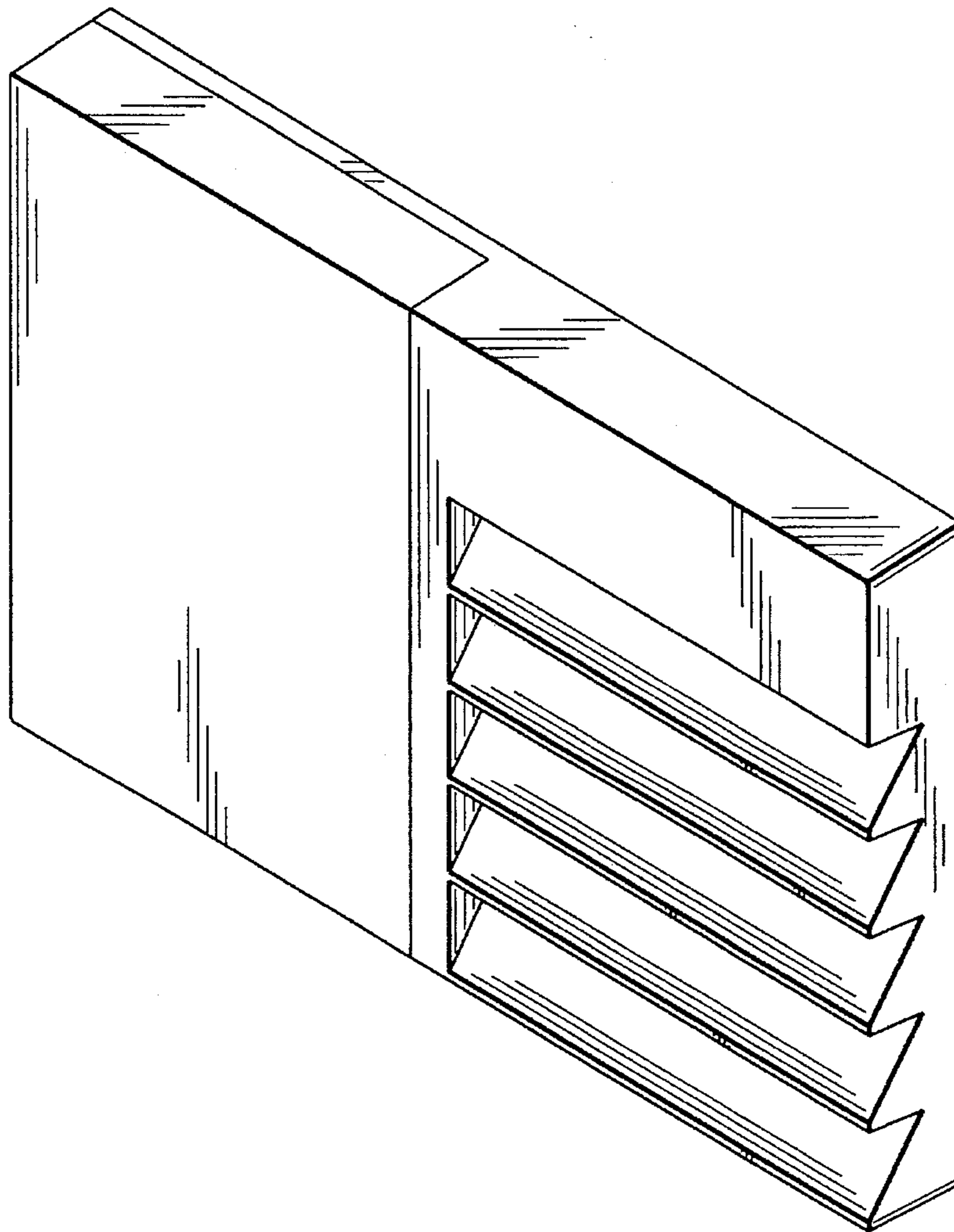
[57] **CLAIM**

The ornamental design for the front bezel of a hard disk drawer for a rack system, as shown and described.

**DESCRIPTION**

FIG. 1 is a front, right side perspective view of a front bezel of a hard disk drawer for a rack system showing my new design;  
 FIG. 2 is a front elevational view thereof;  
 FIG. 3 is a left side elevational view thereof;  
 FIG. 4 is a right side elevational view thereof;  
 FIG. 5 is a top plan view thereof;  
 FIG. 6 is a bottom plan view thereof; and,  
 FIG. 7 is a bottom, left side perspective view thereof.

**1 Claim, 5 Drawing Sheets**



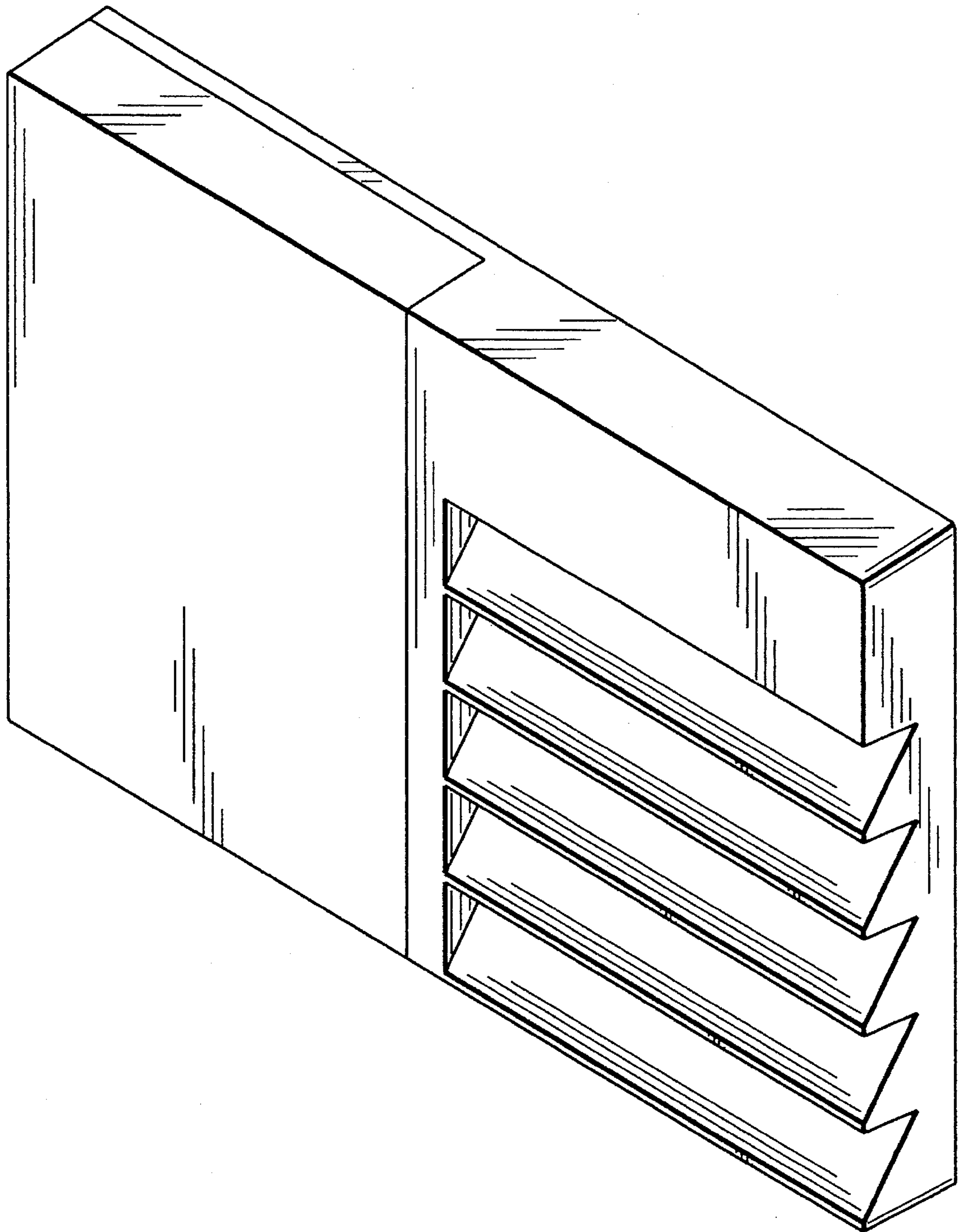


FIG. 1

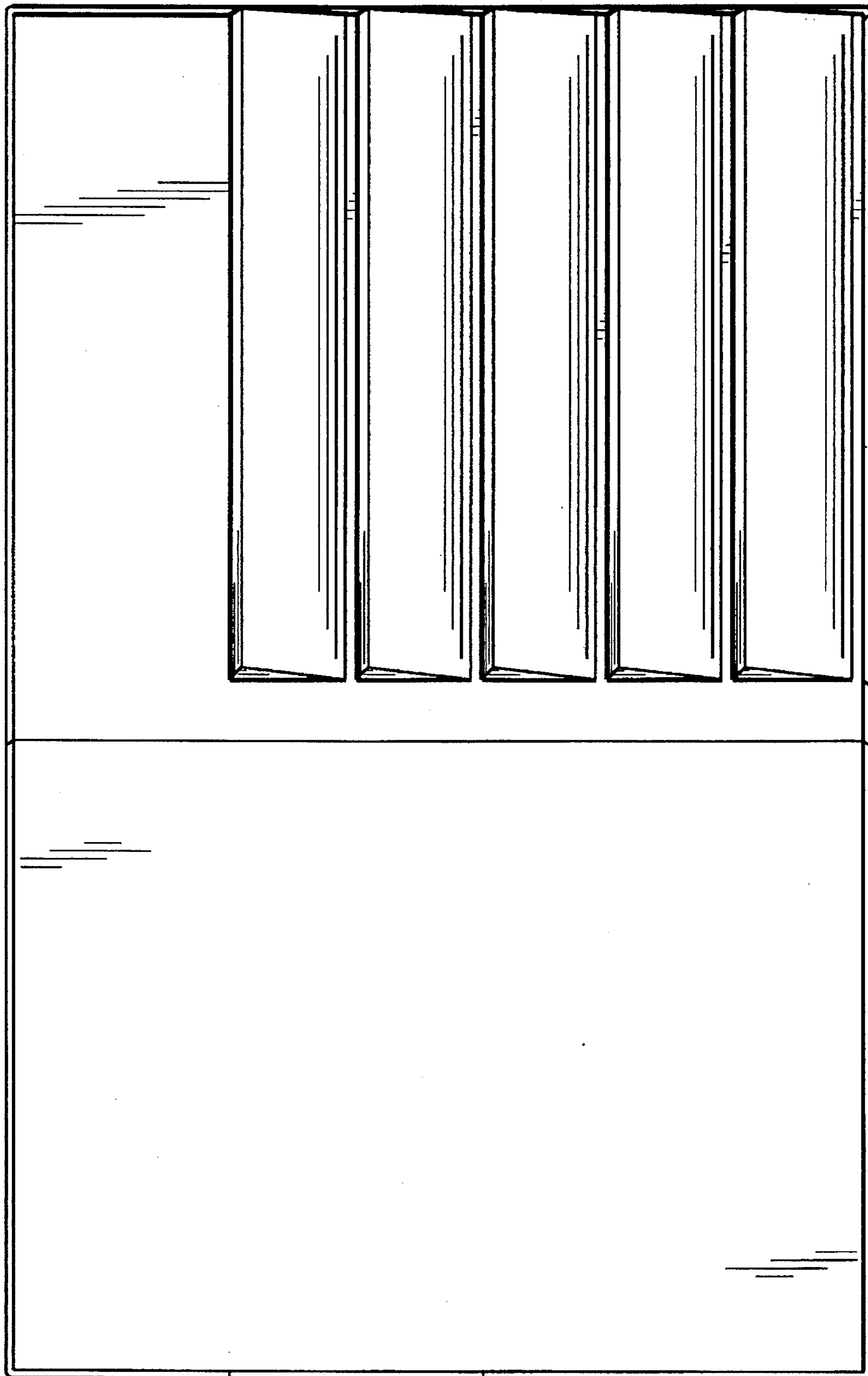


FIG. 2

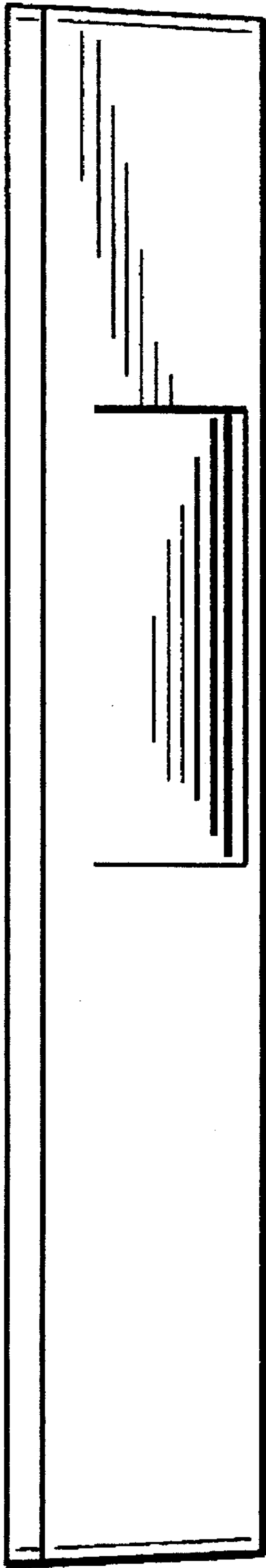


FIG. 3

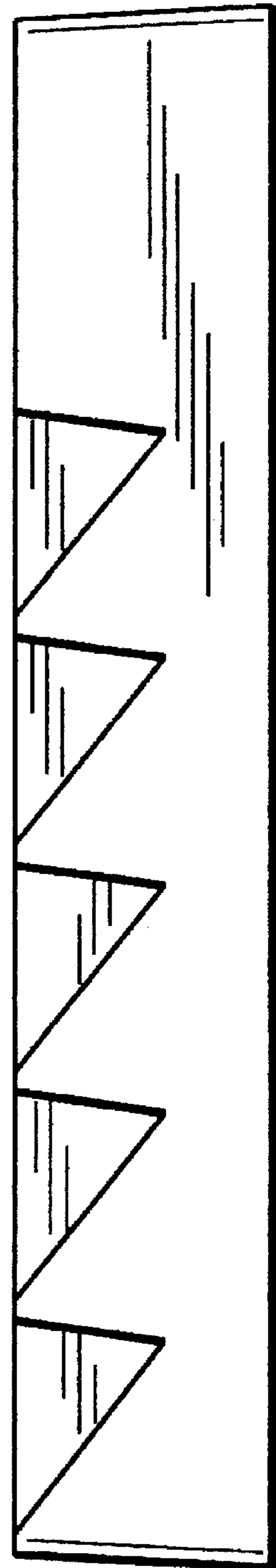


FIG. 4

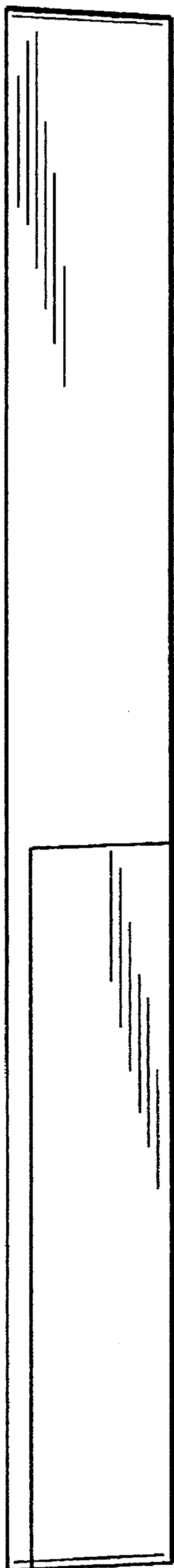


FIG. 5

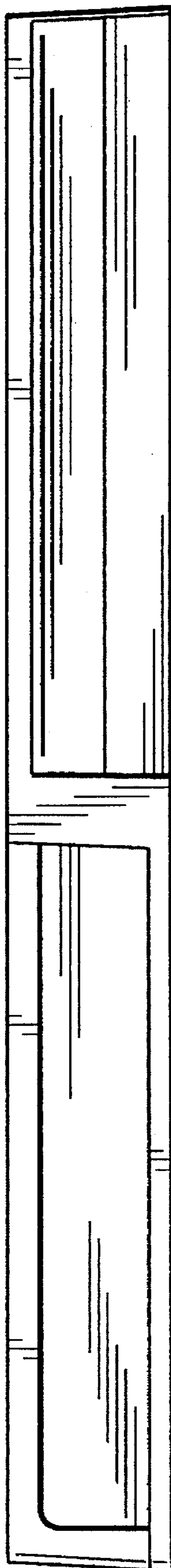


FIG. 6

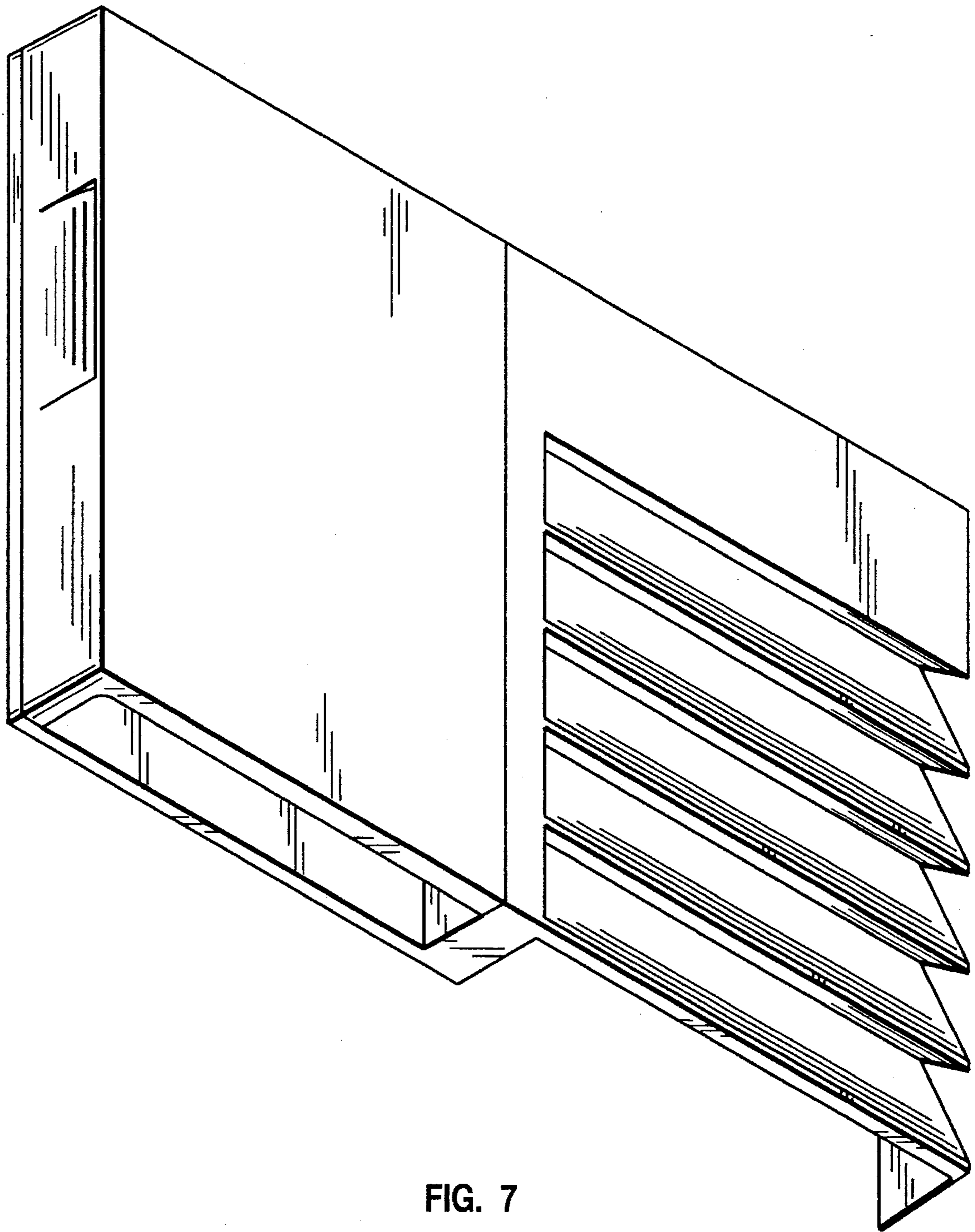


FIG. 7