



US00D381965S

United States Patent [19] Atkinson

[11] Patent Number: Des. 381,965
[45] Date of Patent: **Aug. 5, 1997

[54] **SPLASH SHIELD FOR A LAVAGE TIP**

5,496,290 3/1996 Ackerman 604/268

[75] Inventor: **Robert W. Atkinson**, Dover, Ohio

OTHER PUBLICATIONS

[73] Assignee: **Zimmer, Inc.**, Warsaw, Ind.

Zimmer brochure—Pulsavac Wound Debridement System—©1989, 1992.

[**] Term: **14 Years**

Primary Examiner—Louis S. Zarfes

Assistant Examiner—I. Simmons

Attorney, Agent, or Firm—Cary R. Reeves

[21] Appl. No.: **51,326**

[22] Filed: **Feb. 2, 1996**

[57] CLAIM

[51] **LOC (6) Cl.** **24-02**

[52] **U.S. Cl.** **D24/108; D24/122; D24/130**

[58] **Field of Search** D24/130, 112,
D24/108, 122; 604/268, 267, 290, 40, 114,
187, 35, 27, 192, 263; 433/116; D7/700

The ornamental design for a splash shield for a lavage tip, as shown and described.

DESCRIPTION

[56] References Cited

U.S. PATENT DOCUMENTS

D. 227,413	6/1973	Sherin	D24/122 X
D. 344,133	2/1994	Stamler	D24/130
D. 345,016	3/1994	Stamler	D24/130
D. 356,865	3/1995	Ivic	D24/122
D. 365,146	12/1995	Olson	D24/112 X
4,692,140	9/1987	Olson	604/40
4,769,003	9/1988	Stamler	D24/130 X
4,898,588	2/1990	Roberts	D24/130 X
5,197,876	3/1993	Coston	D24/130 X
5,376,003	12/1994	Rizkalla	433/116
5,460,604	10/1995	Arnett et al.	604/35

FIG. 1 is a perspective view of a splash shield for a lavage tip showing my new design;

FIG. 2 is a top plan view thereof;

FIG. 3 is a side elevational view thereof;

FIG. 4 is a side elevational view thereof, opposite that shown in FIG. 3;

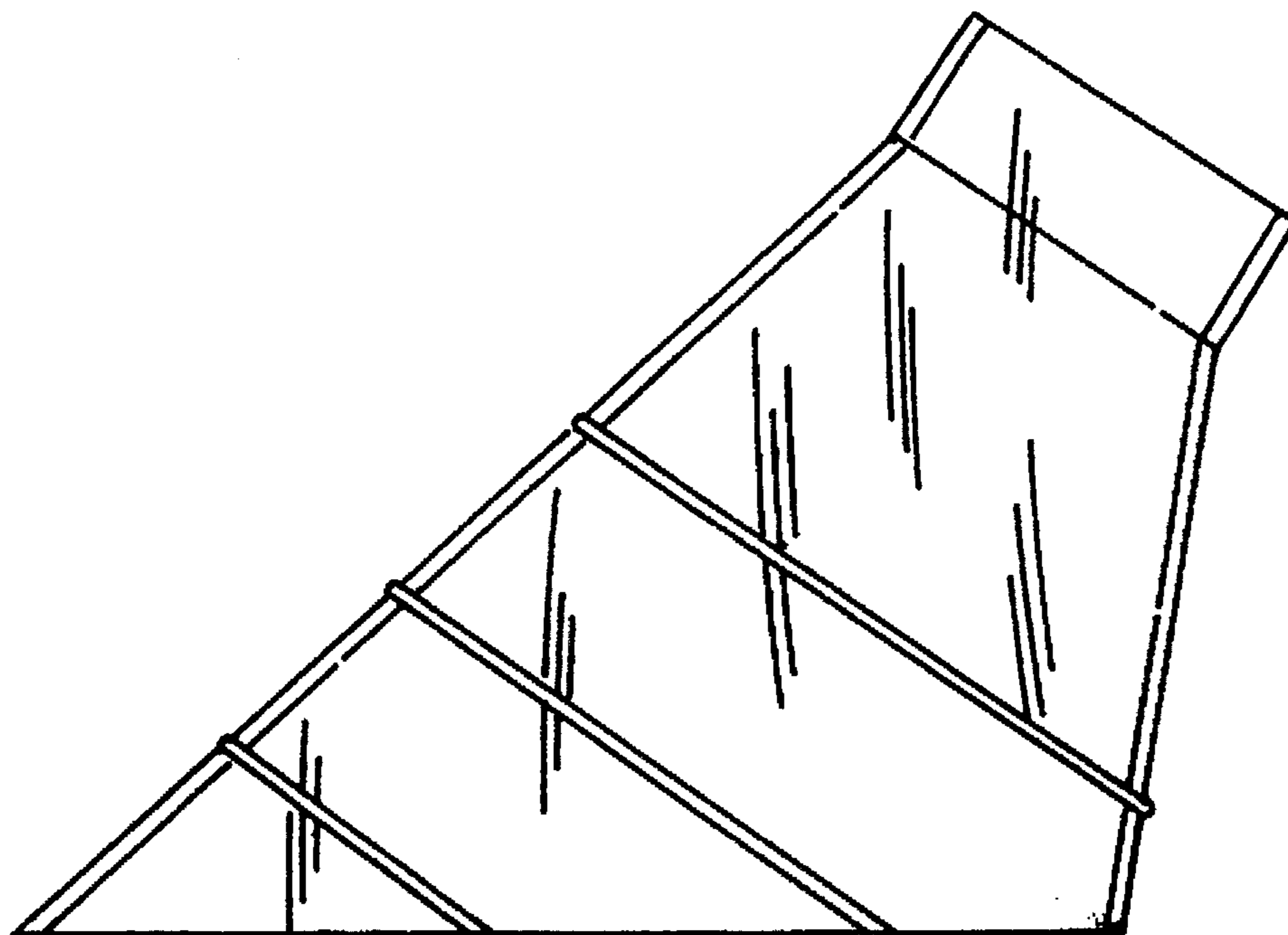
FIG. 5 is a rear elevational view thereof;

FIG. 6 is a front elevational view thereof; and,

FIG. 7 is a bottom plan view thereof.

The broken lines showing of the lavage tip in FIG. 1 is for illustrative purposes only and forms no part of the claimed design.

1 Claim, 2 Drawing Sheets



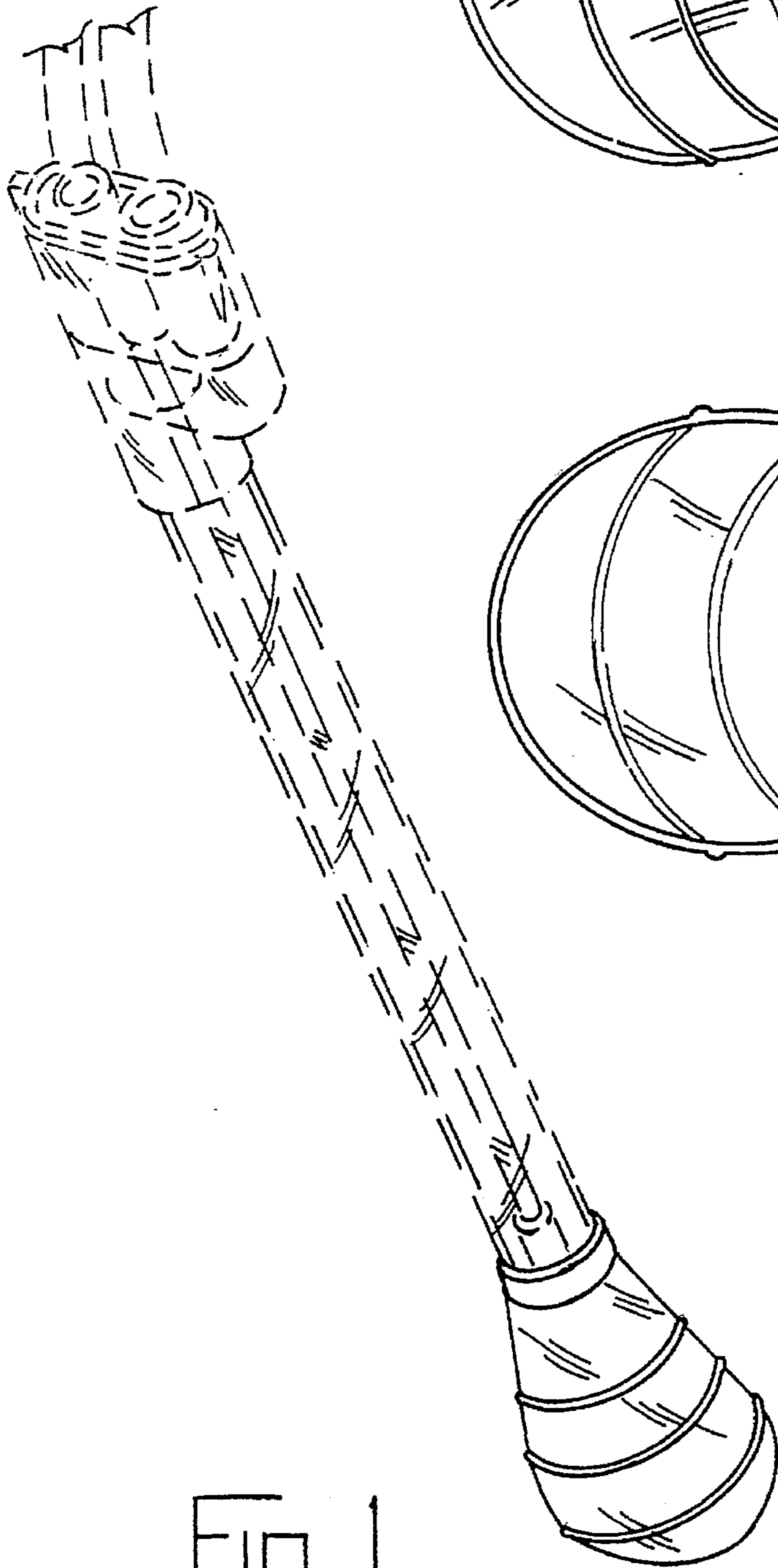


Fig. 1

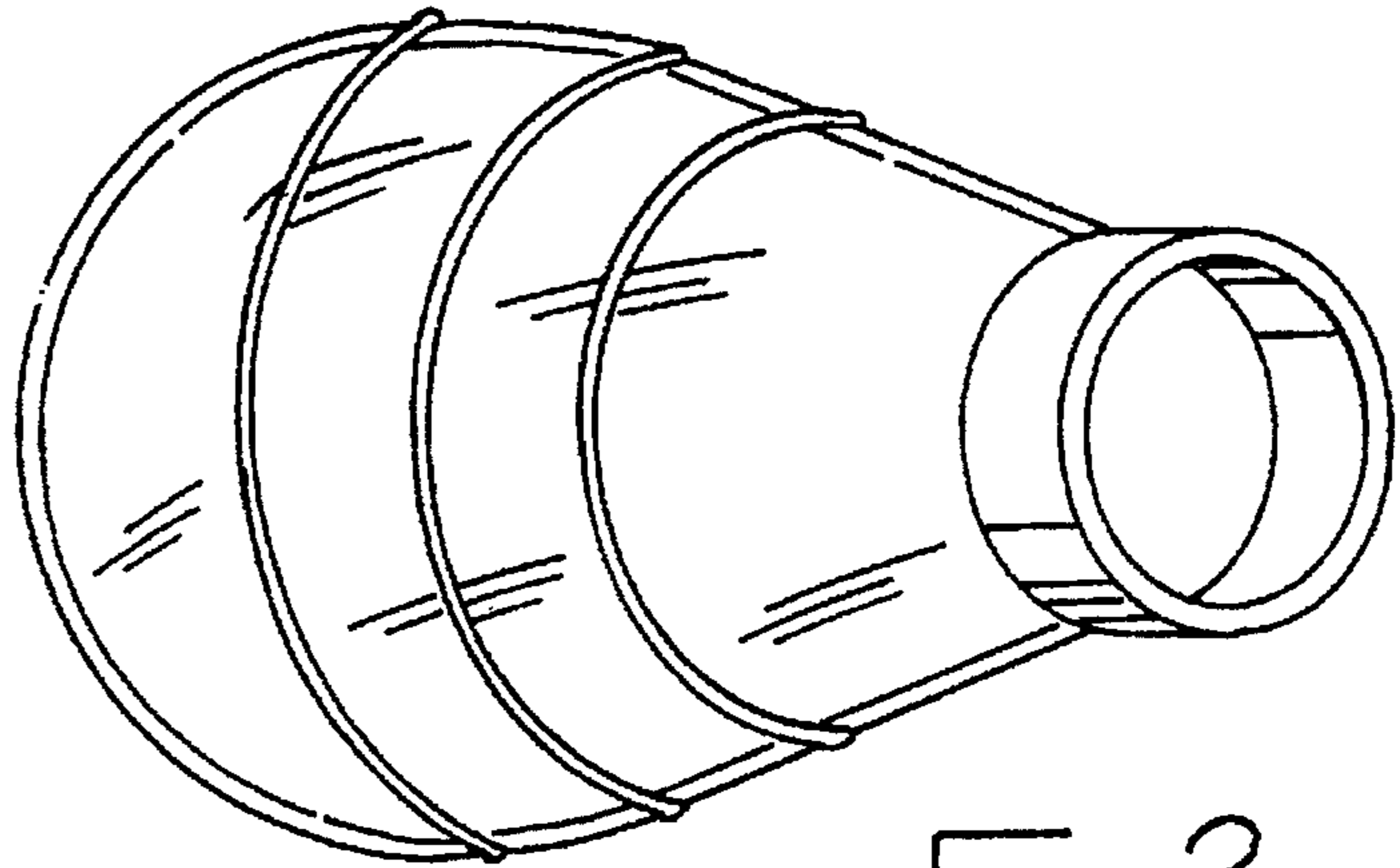


Fig. 2

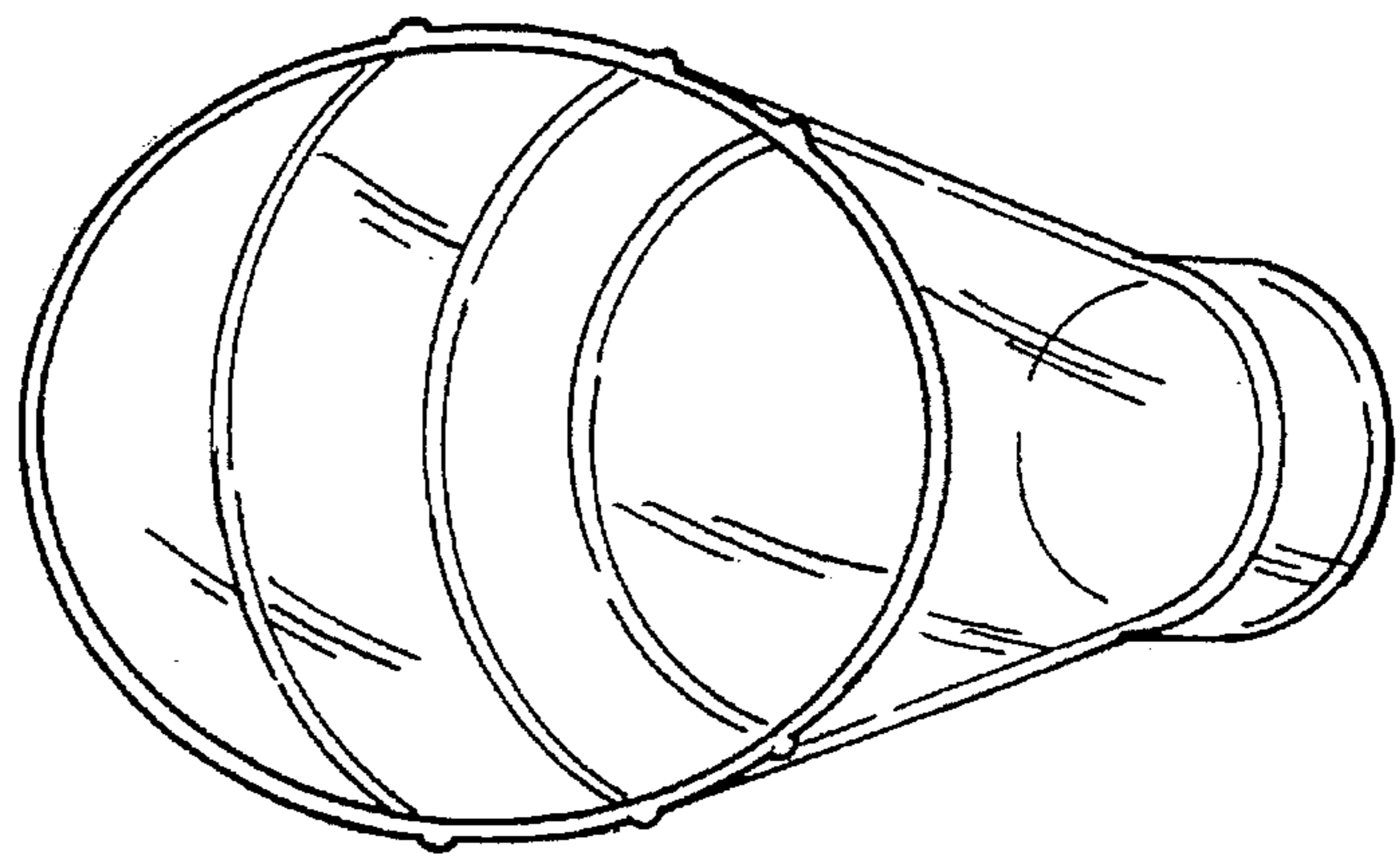


Fig. 7

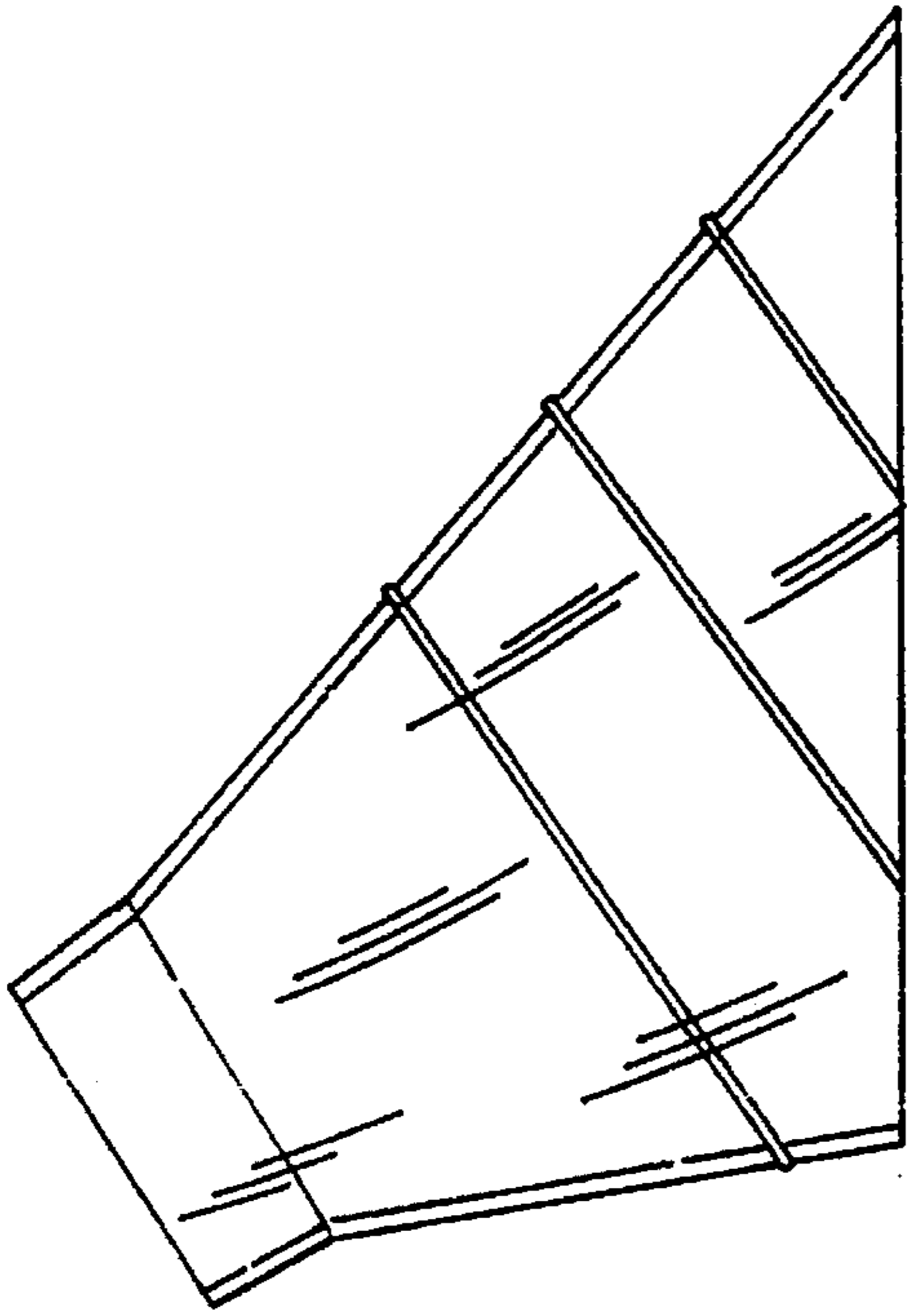


FIG. 4

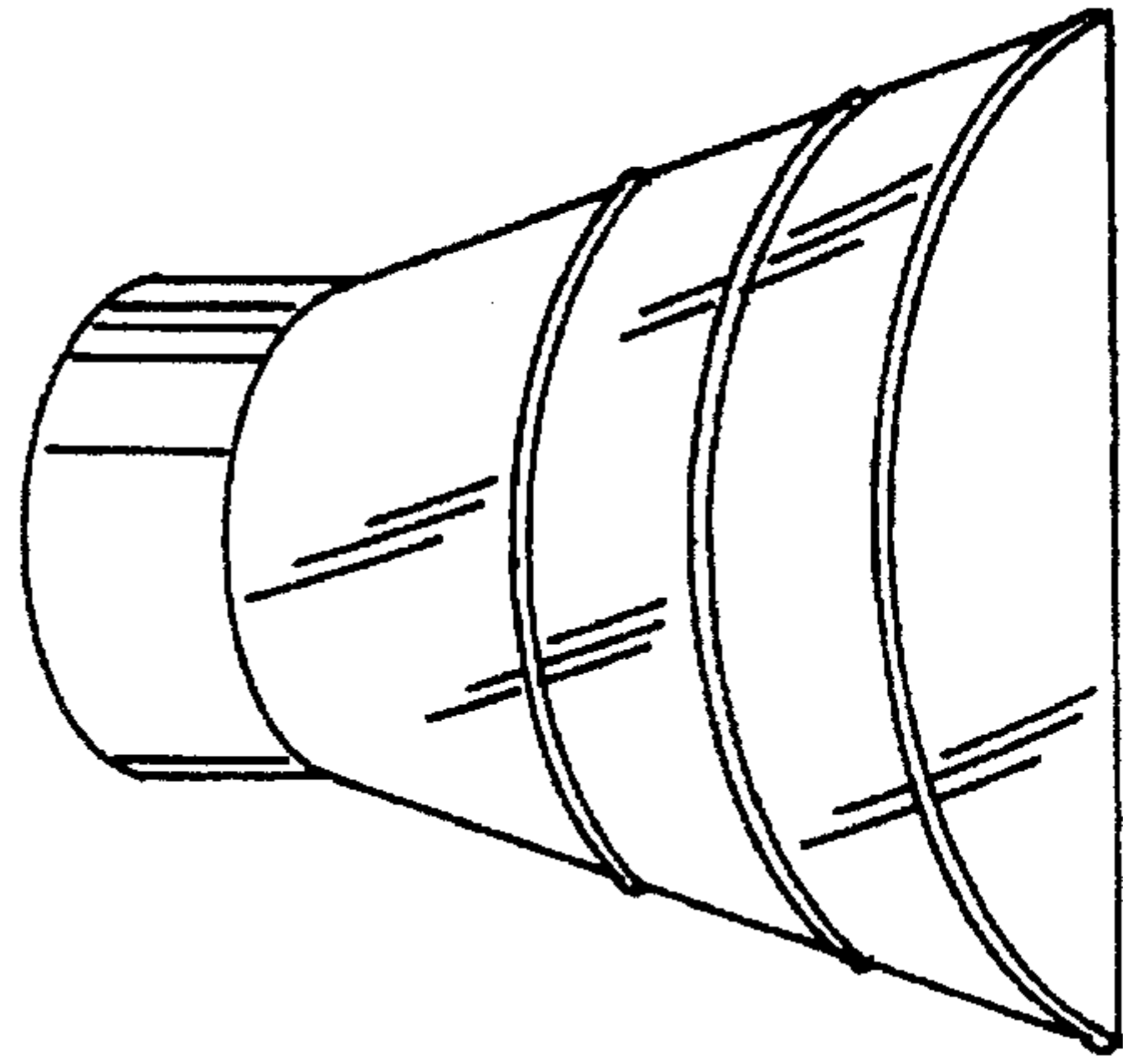


FIG. 6

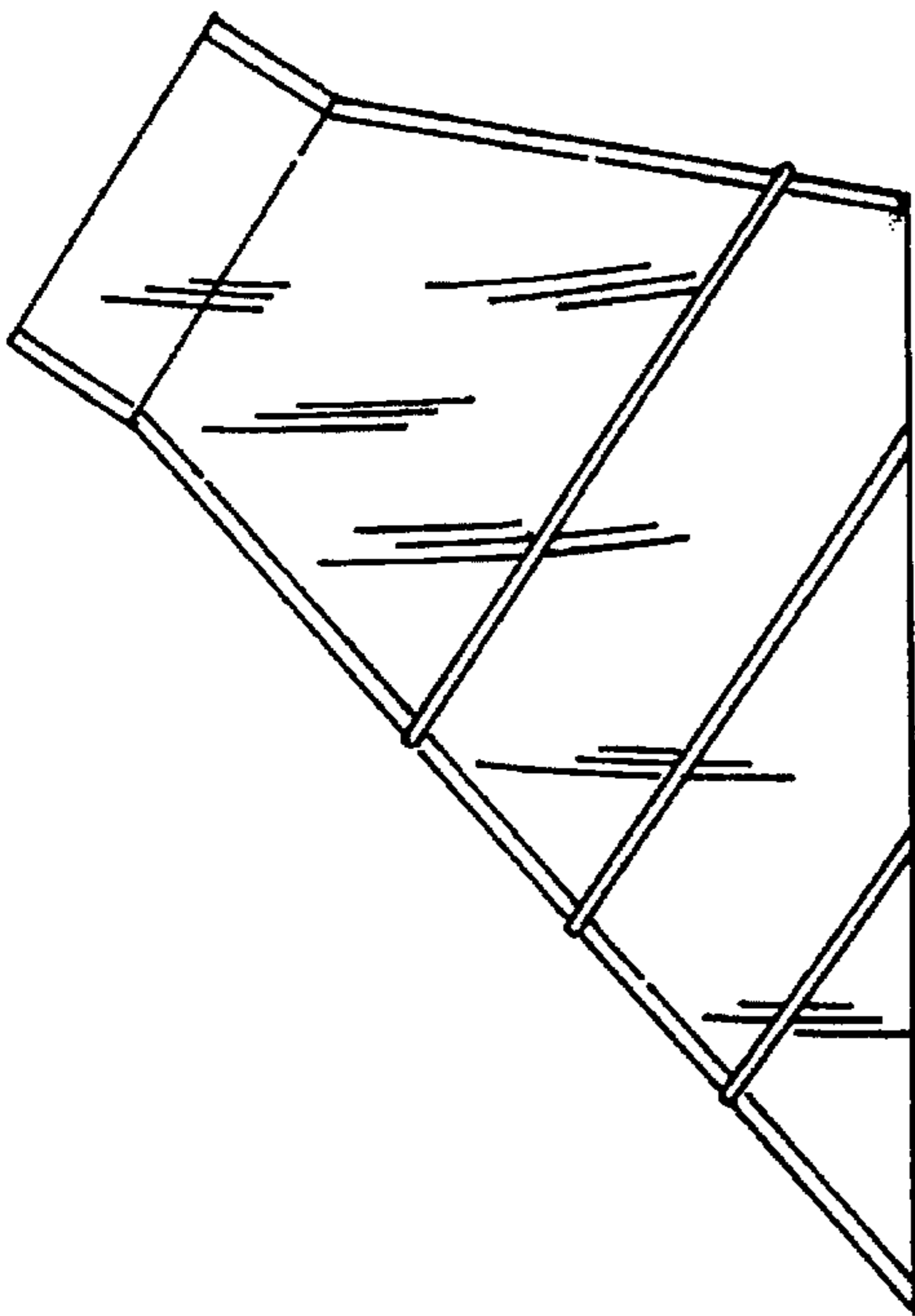


FIG. 3

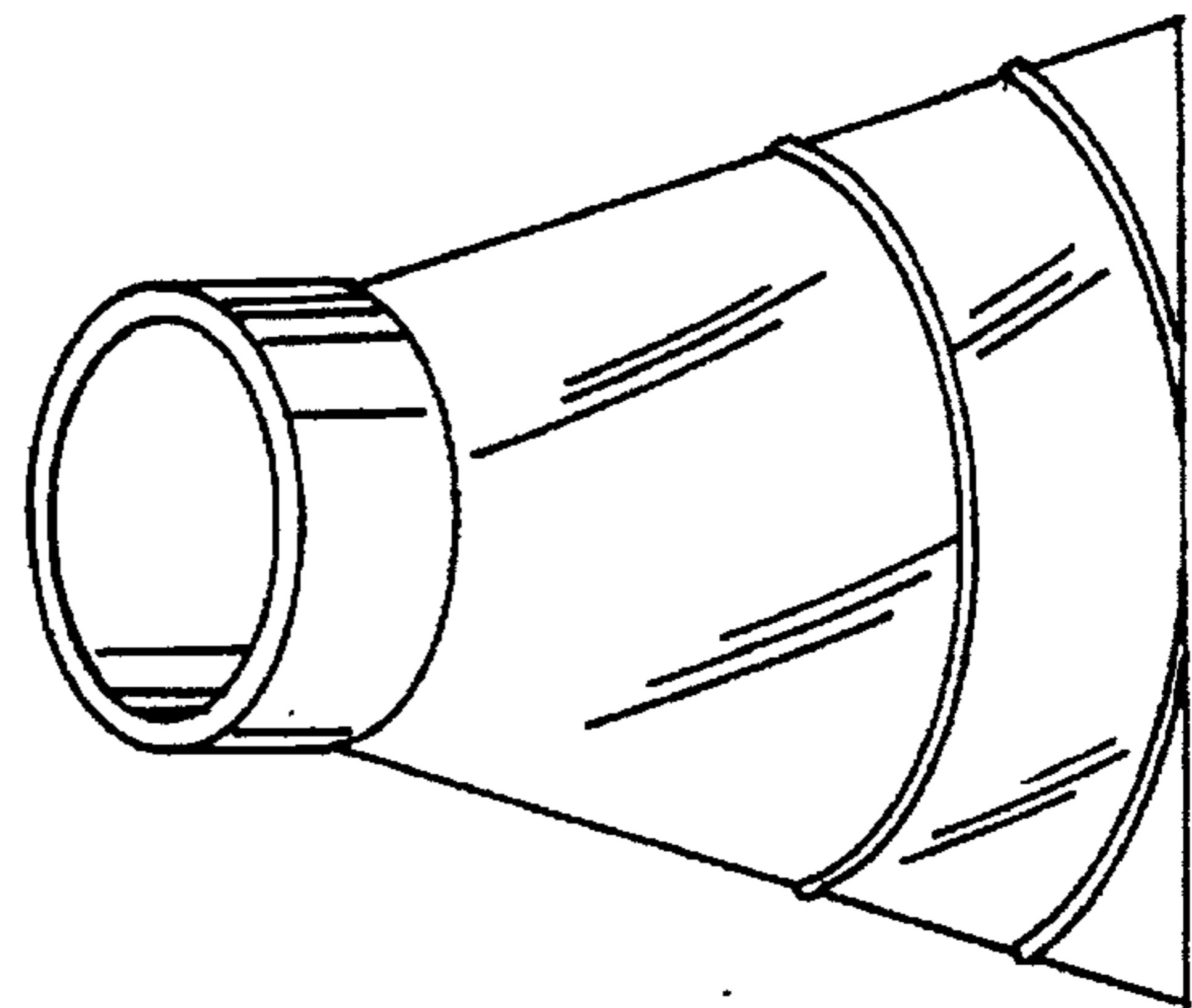


FIG. 5