



US00D381962S

# United States Patent [19]

Doppelt et al.

[11] Patent Number: Des. 381,962

[45] Date of Patent: \*\*Aug. 5, 1997

[54] GARAGE DOOR OPENER CONTROL

D. 371,123 6/1996 Amundsen ..... D13/164 X  
4,908,604 3/1990 Jacob ..... 340/825.69 X

[75] Inventors: Loren E. Doppelt, Palatine; Gary Prokop, Wheaton, both of Ill.

### OTHER PUBLICATIONS

[73] Assignee: The Chamberlain Group, Inc., Elmhurst, Ill.

Chamberlain Computer generated drawing, Part No. 195 CO 737, Wall Control Assy (Standard Sears), Aug. 1991.

Chamberlain Computer generated drawing, Part No. 195 CO 727, Wall Control Assy (Deluxe Sears), Aug. 1991.

[\*\*] Term: 14 Years

Primary Examiner—A. Hugo Word

Assistant Examiner—Lavone D. Tabor

Attorney, Agent, or Firm—Fitch, Even, Tabin & Flannery

[21] Appl. No.: 48,975

[22] Filed: Jan. 11, 1996

[51] LOC (6) Cl. .... 13-03

[52] U.S. Cl. .... D13/168; D10/106

[58] Field of Search ..... D13/158, 162,  
D13/164, 168, 171; D10/104, 106; 340/825.69,  
825.72; 200/5 R, 5 A, 329, 341

### [57] CLAIM

The ornamental design for a garage door opener control, as shown and described.

### DESCRIPTION

### [56] References Cited

#### U.S. PATENT DOCUMENTS

- D. 305,019 12/1989 Pena et al. .... D13/171
- D. 308,758 6/1990 Chien .
- D. 324,511 3/1992 Ginther et al. .... D13/171 X
- D. 331,204 11/1992 Hampf .
- D. 333,636 3/1993 Issa .
- D. 333,656 3/1993 Bluemel et al. .... D13/162
- D. 341,837 11/1993 Curbbun .
- D. 346,755 5/1994 Soloway .
- D. 351,173 10/1994 Yeh .
- D. 354,922 1/1995 Gartner .
- D. 357,919 5/1995 Tsui .

FIG. 1 is a perspective view of a garage door opener control showing our new design;

FIG. 2 is a front elevational view thereof;

FIG. 3 is a right-hand side elevational view thereof;

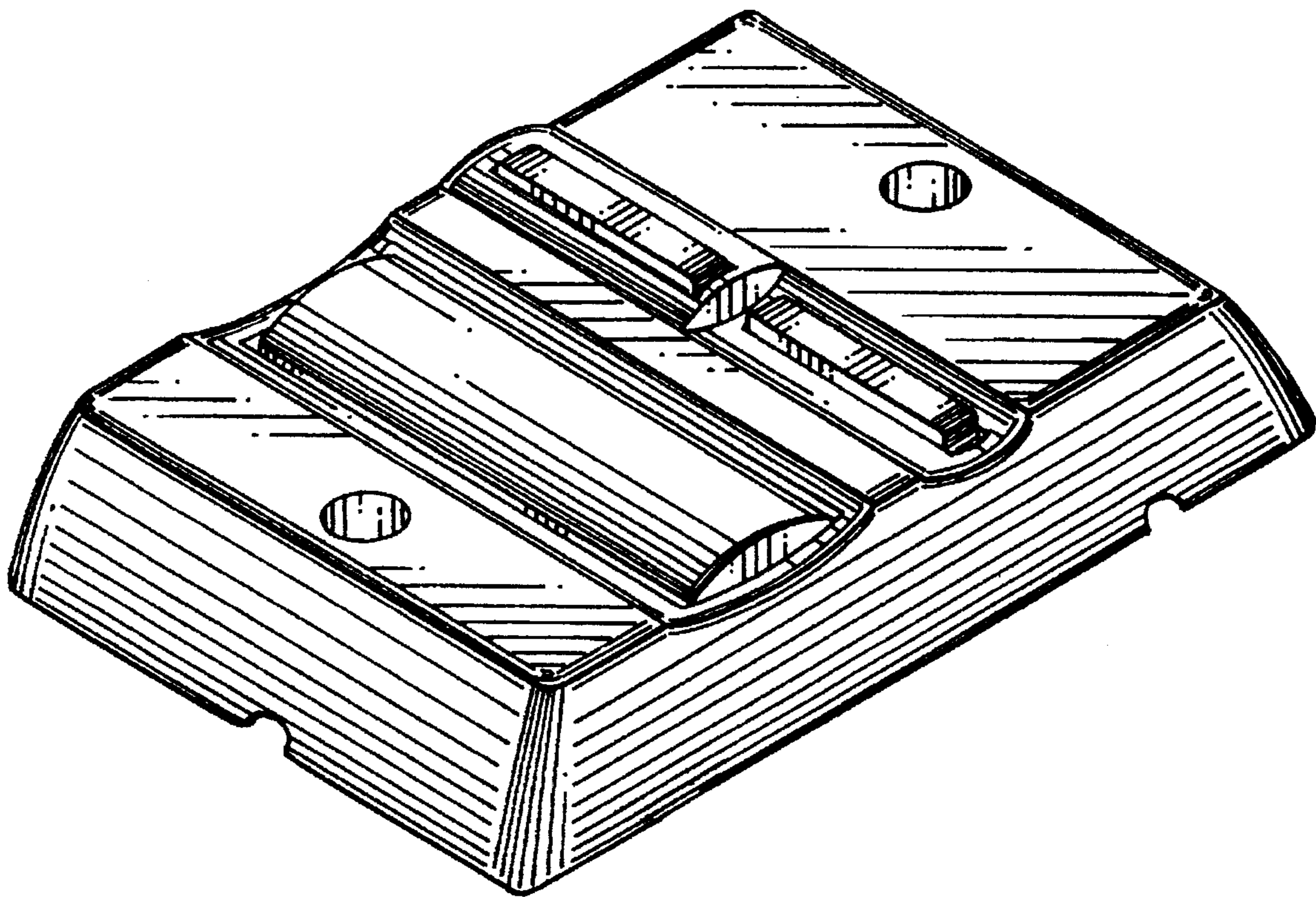
FIG. 4 is a top plan view thereof;

FIG. 5 is a rear elevational view thereof, showing the outline of the mount and the outline of the circuit board in broken lines for illustrative purposes only and forming no part of the claimed design;

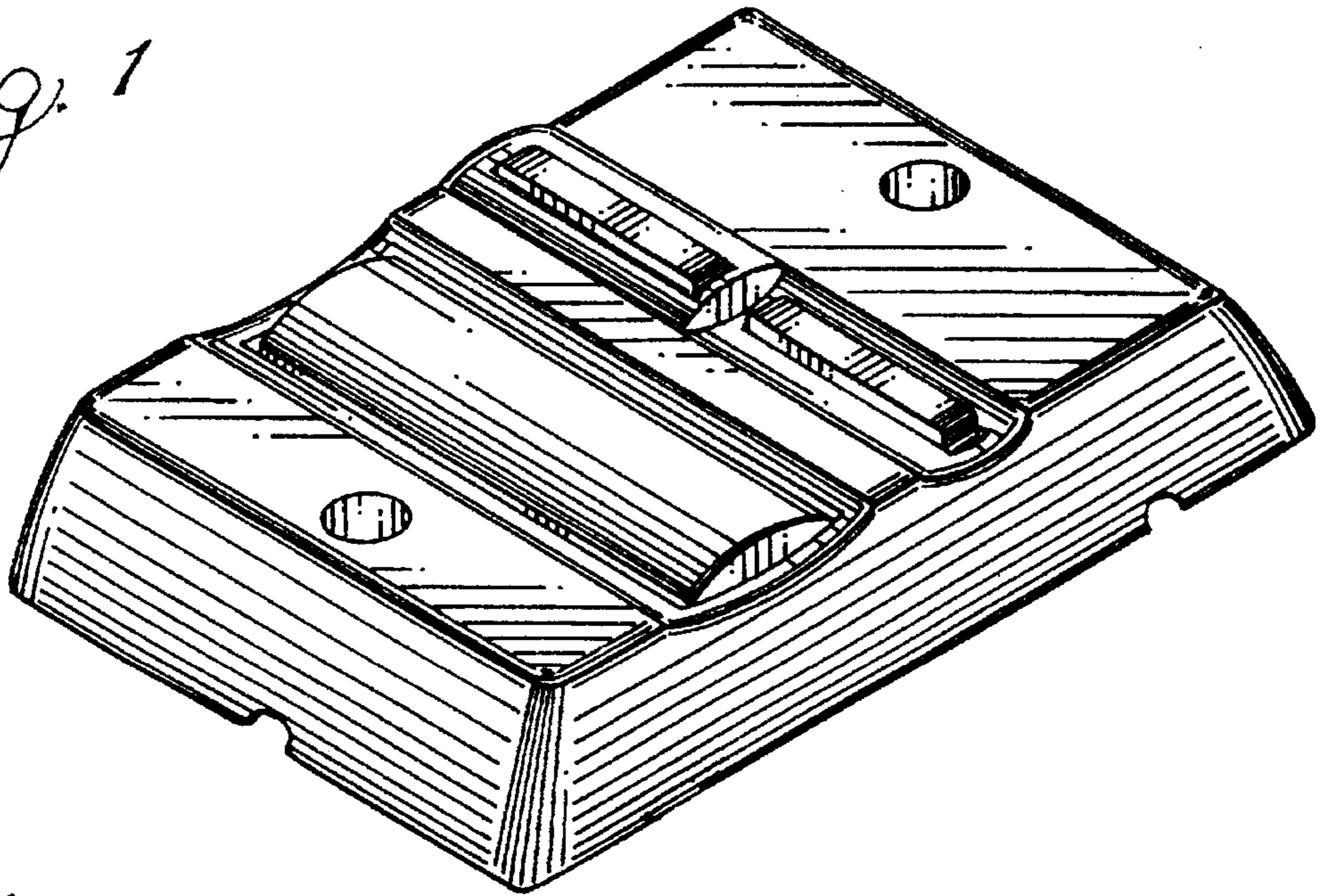
FIG. 6 is a left-hand side elevational view thereof; and,

FIG. 7 is a bottom plan view thereof.

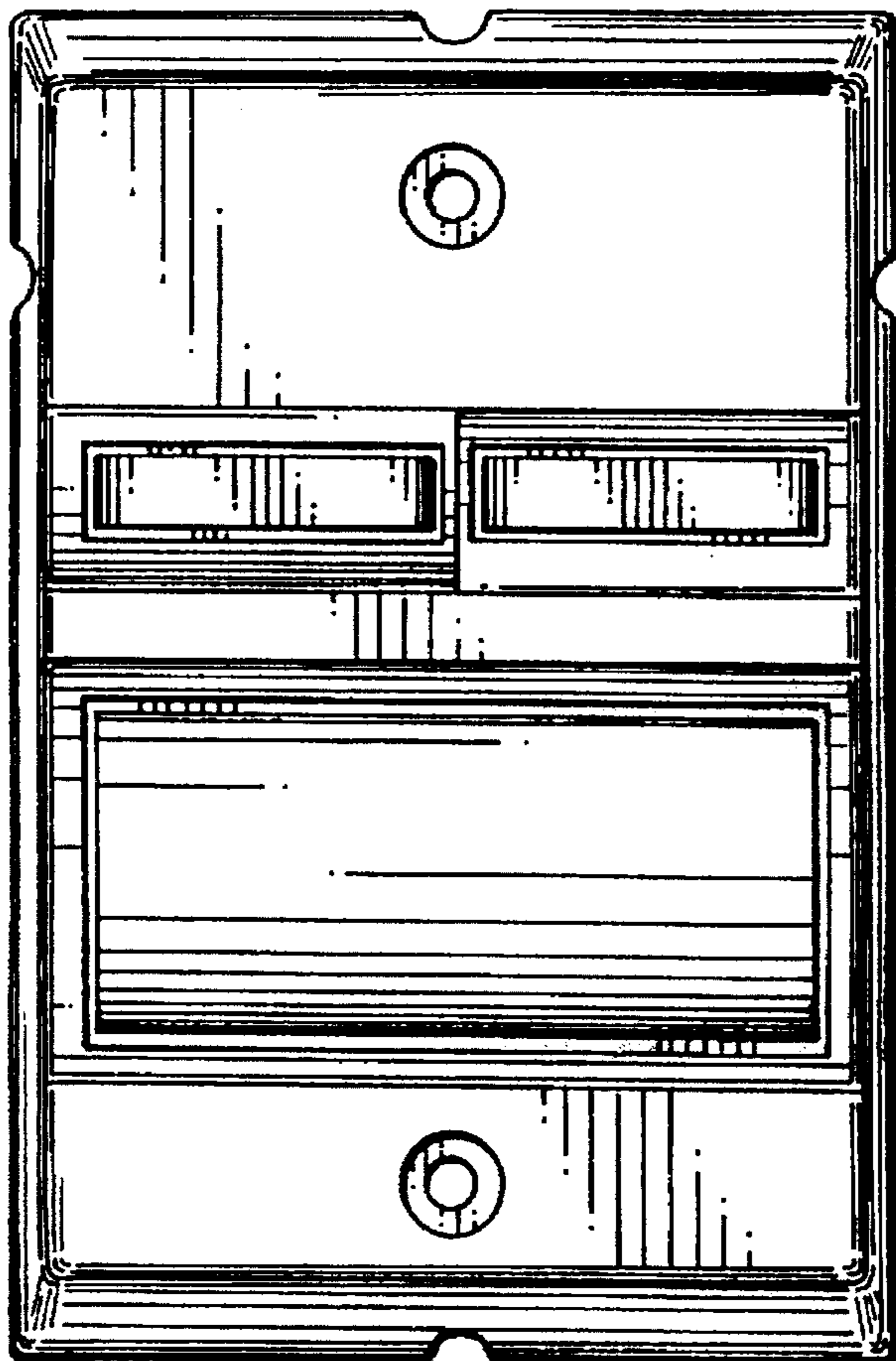
1 Claim, 2 Drawing Sheets



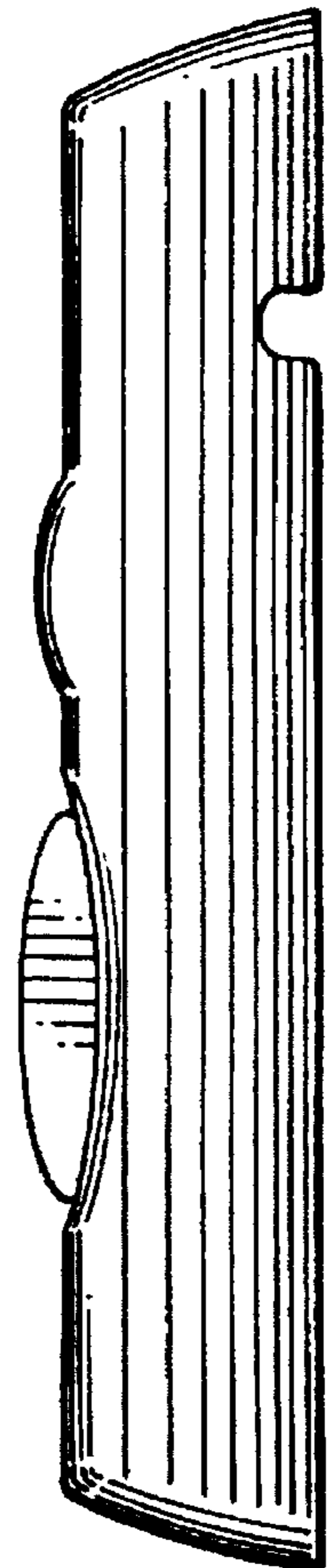
*Fig. 1*

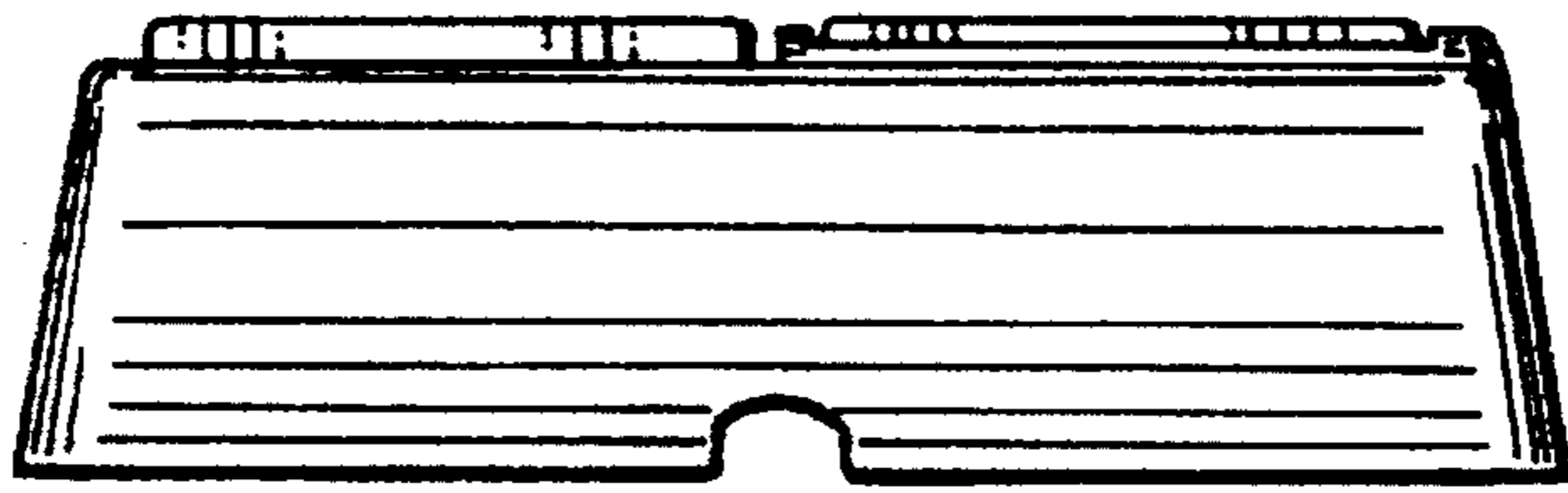


*Fig. 2*



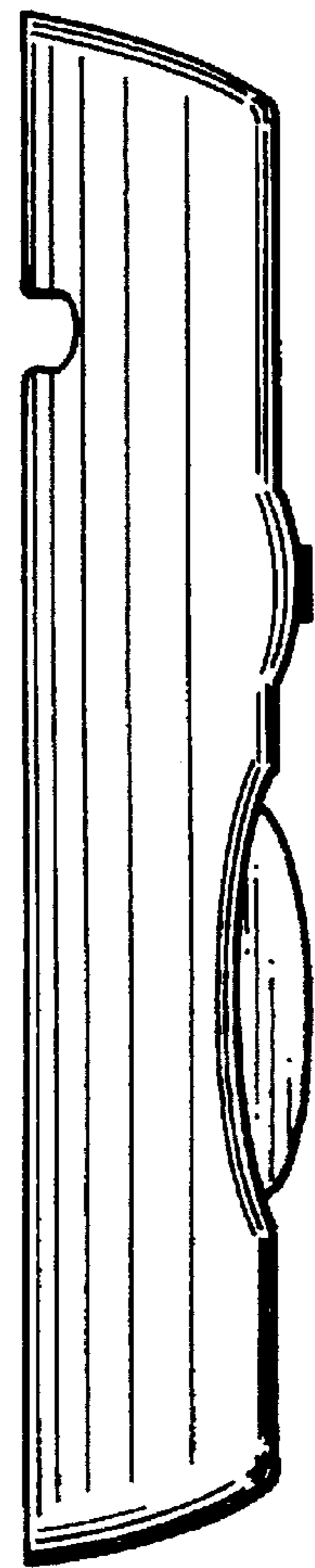
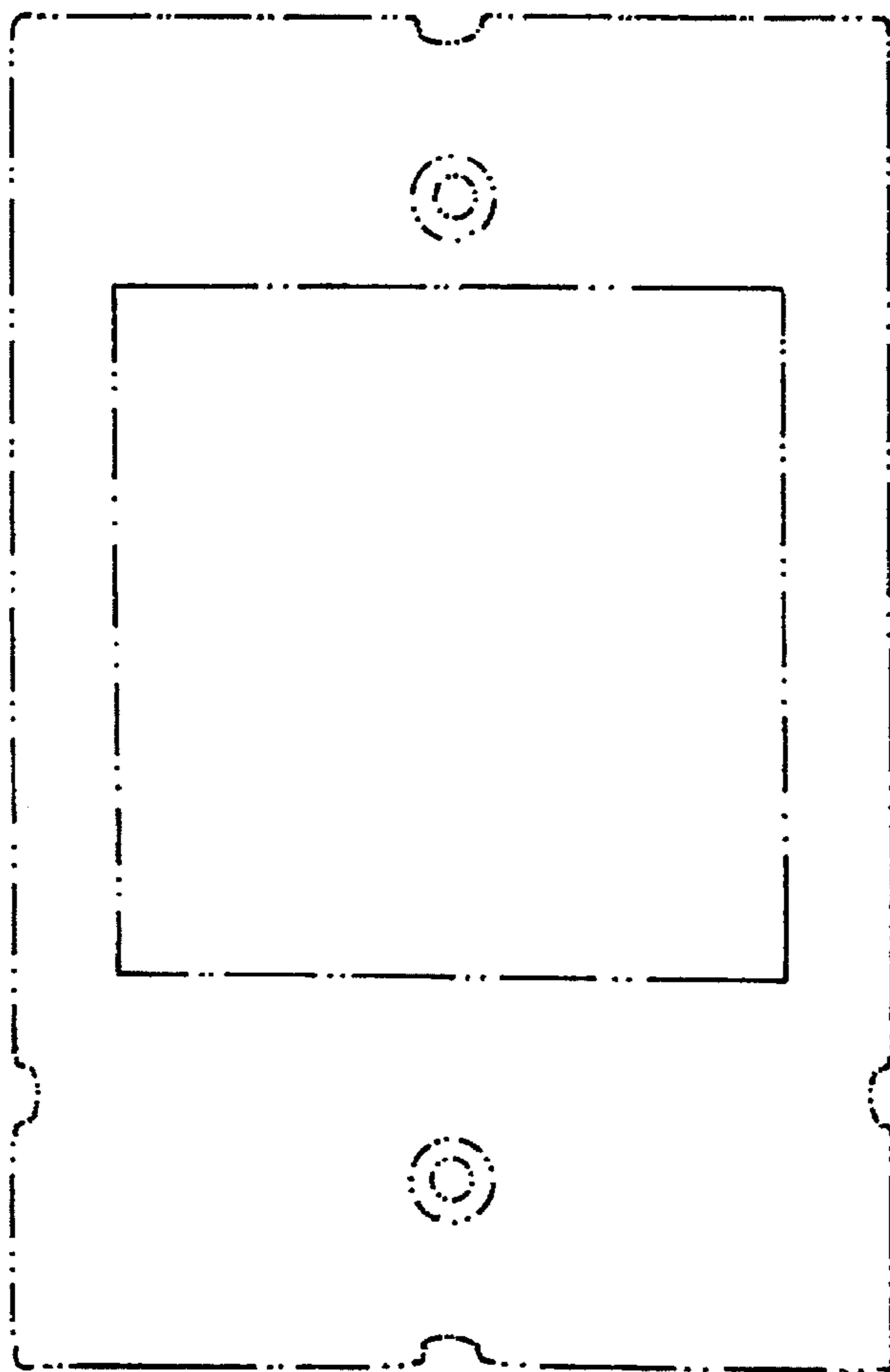
*Fig. 3*



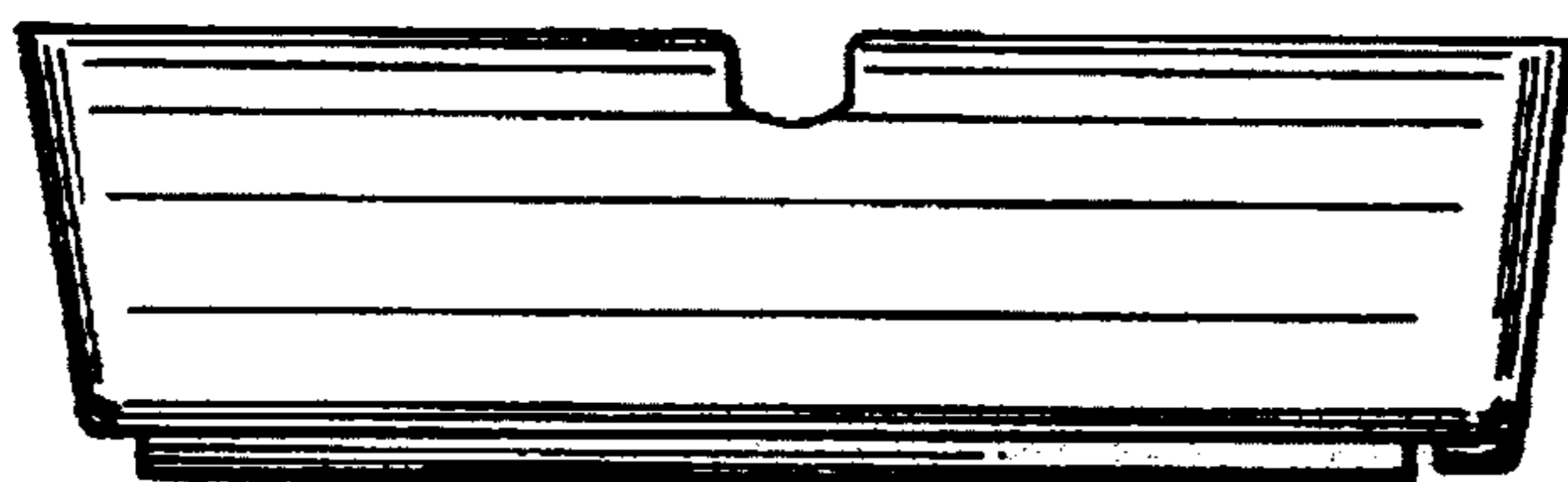


*Fig. 4*

*Fig. 5*



*Fig. 6*



*Fig. 7*