



US00D381958S

# United States Patent [19] Chen

[11] Patent Number: **Des. 381,958**

[45] Date of Patent: **\*\*Aug. 5, 1997**

[54] **MOUNTING FRAME FOR MOUNTING WALL SWITCHES AND SOCKETS**

[76] Inventor: **David Chien Hua Chen**, 22 Fl., No. 90, Sec. 2, Anho Rd., Taipei, Taiwan

[\*\*] Term: **14 Years**

[21] Appl. No.: **42,981**

[22] Filed: **Aug. 22, 1995**

[51] LOC (6) Cl. .... **13-03**

[52] U.S. Cl. .... **D13/154**

[58] Field of Search ..... D13/154, 156, D13/158, 162, 173, 177, 184; 174/53, 66, 67; 200/296, 297, 339; 248/27.1; 439/535, 538, 539, 540

[56] **References Cited**

**U.S. PATENT DOCUMENTS**

D. 29,795 12/1898 Brown ..... D13/156

D. 106,306 10/1937 Lantz, Jr. .... D13/177  
D. 106,369 10/1937 Lantz, Jr. .... D13/177  
4,857,669 8/1989 Kitamura et al. .... 174/53  
5,457,286 10/1995 Flasz ..... 200/339 X

*Primary Examiner*—Antoine Duval Davis  
*Attorney, Agent, or Firm*—Ezra Sutton

[57] **CLAIM**

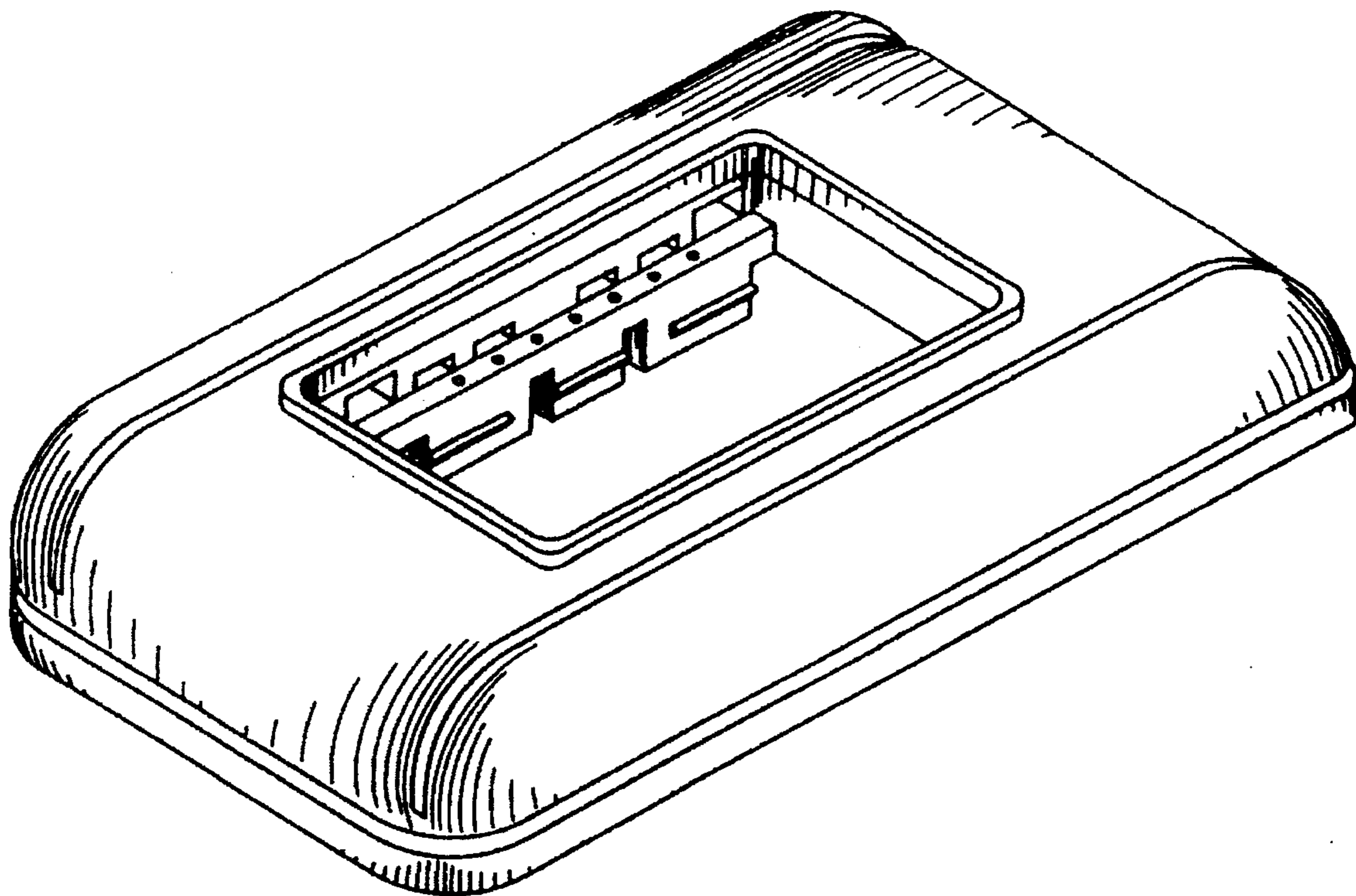
The ornamental design for a a mounting frame for mounting wall switches and sockets, as shown and described.

**DESCRIPTION**

FIG. 1 is a front elevational view;  
FIG. 2 is a righthand side elevational view;  
FIG. 3 is a top front elevational view;  
FIG. 4 is a rear elevational view; and,  
FIG. 5 is a perspective view.

The bottom side corresponds with the top side; and the lefthand side corresponds with the righthand side.

**1 Claim, 3 Drawing Sheets**



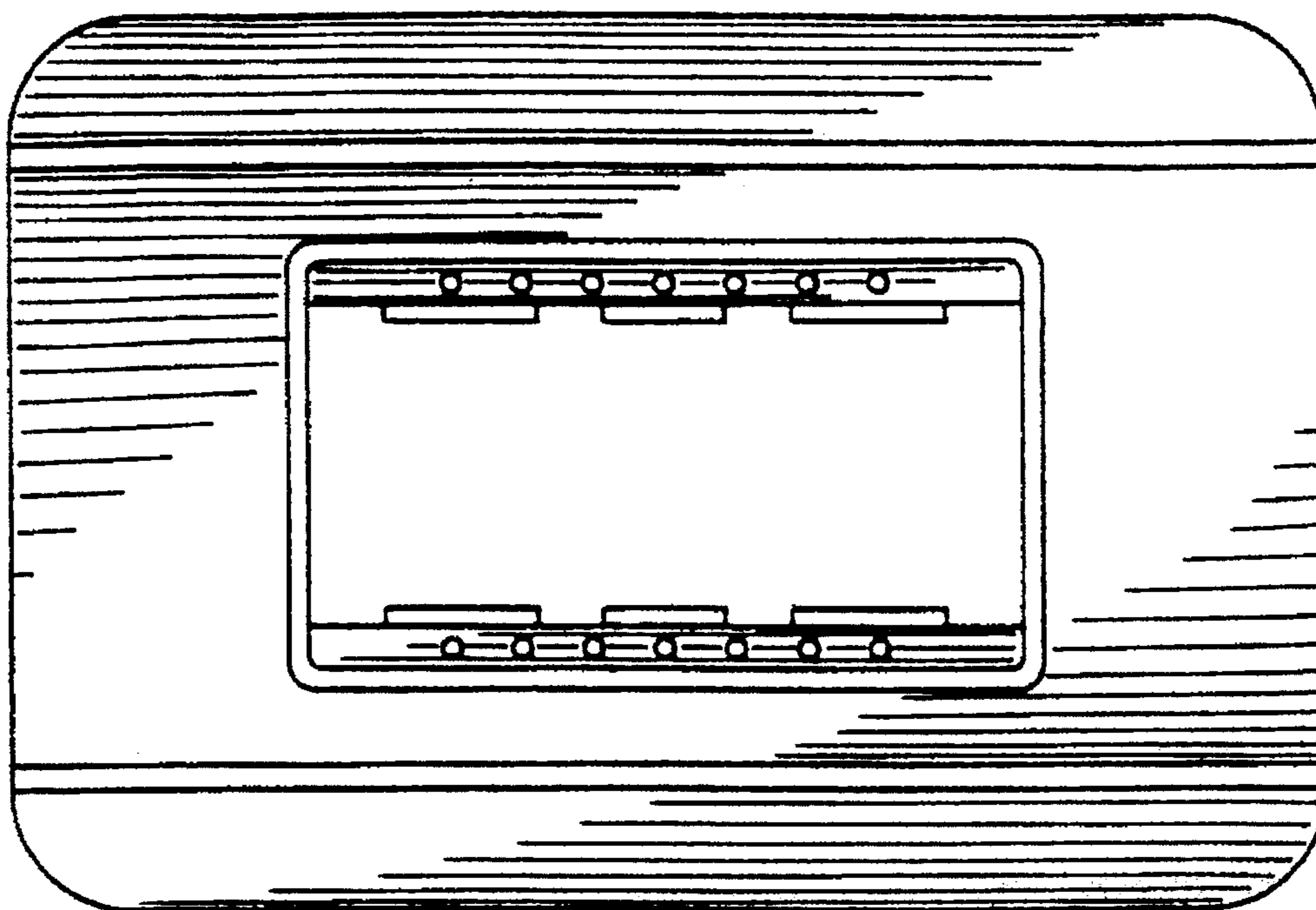


FIG. 1

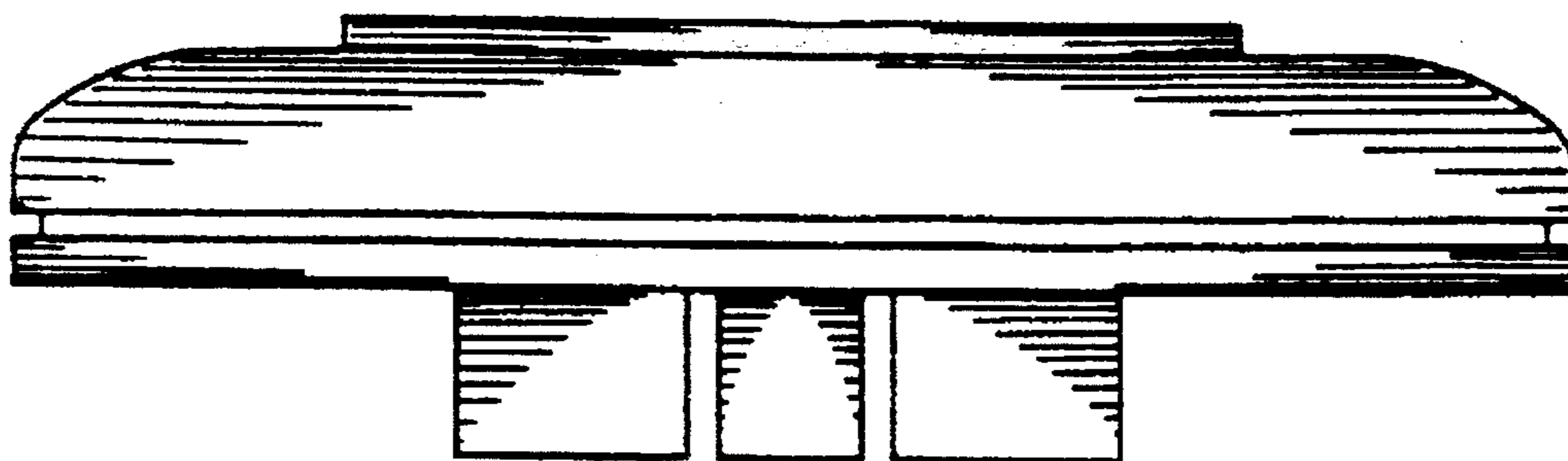


FIG. 2

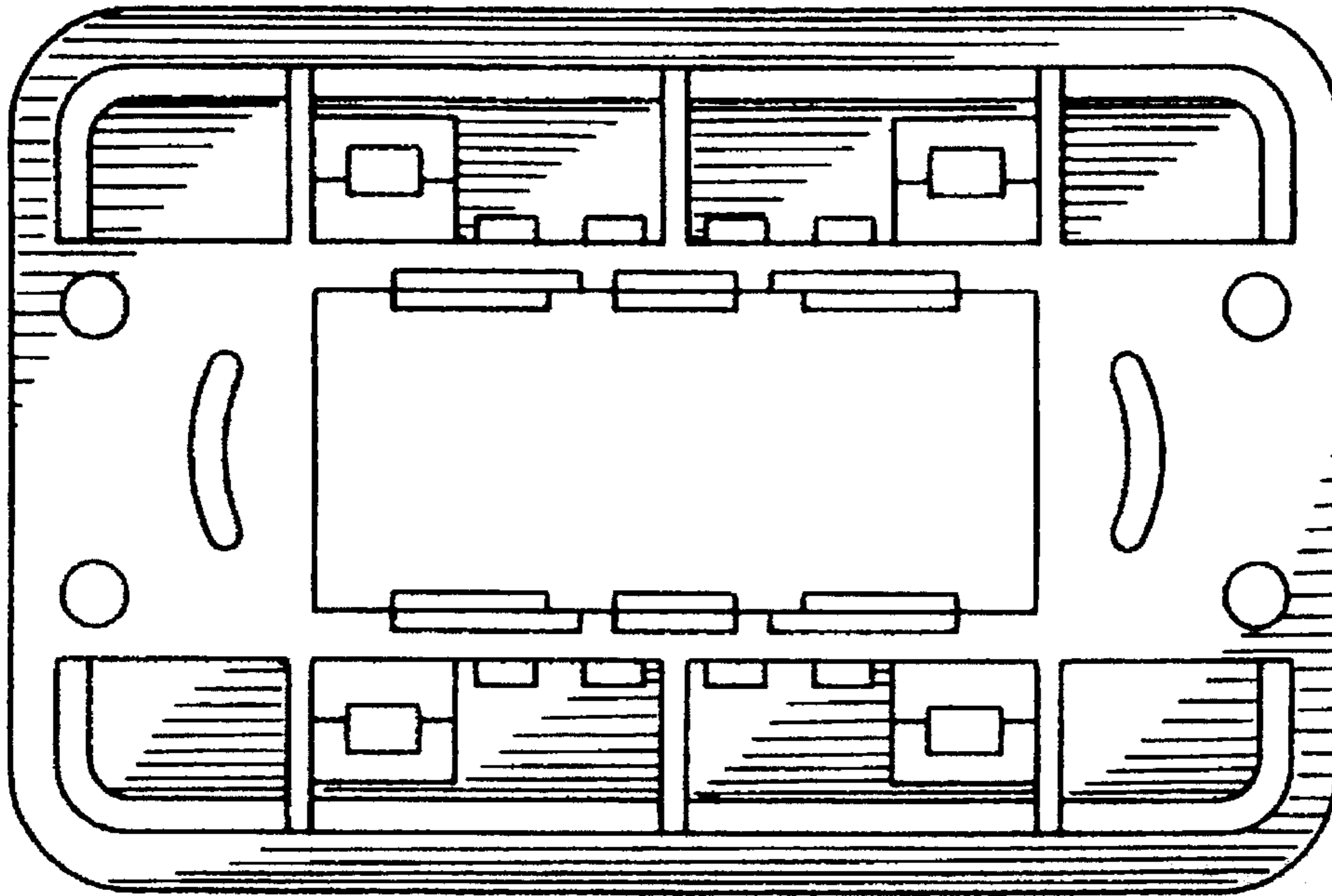


FIG.4

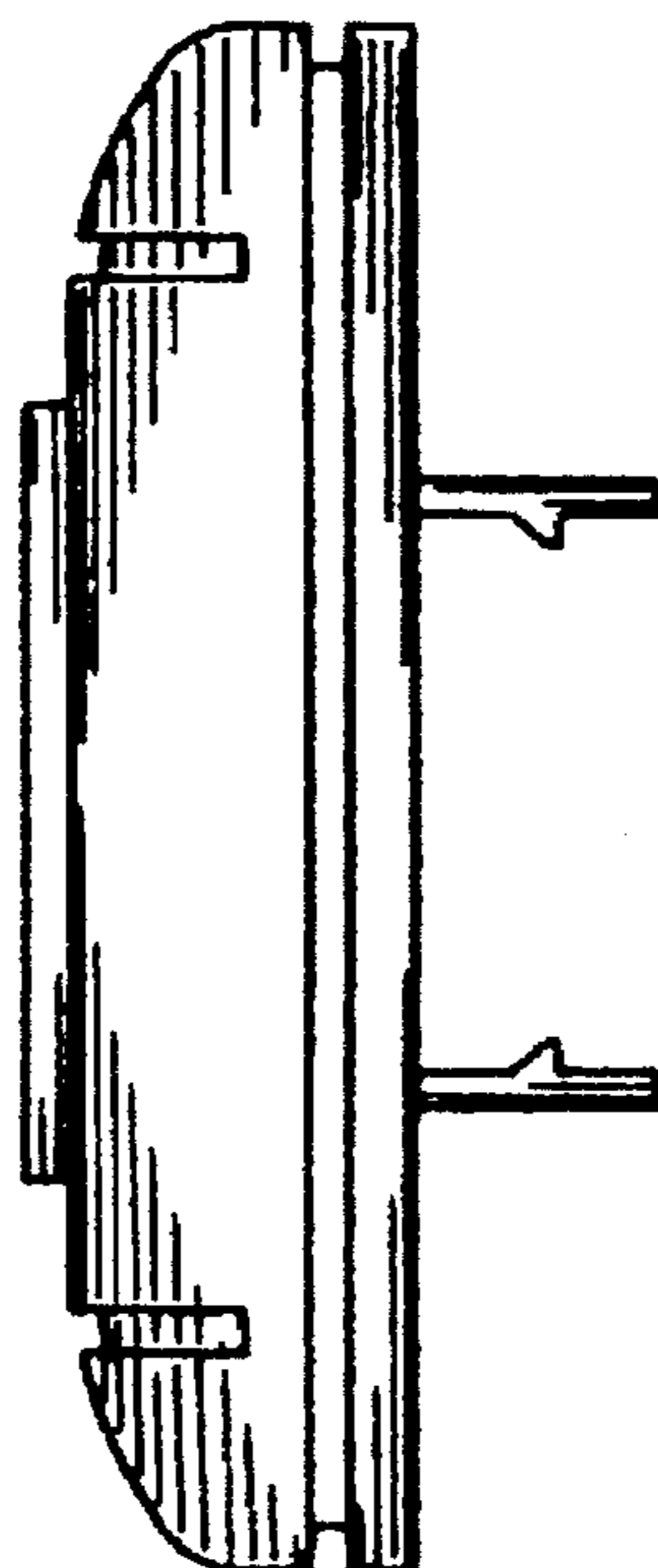


FIG.3

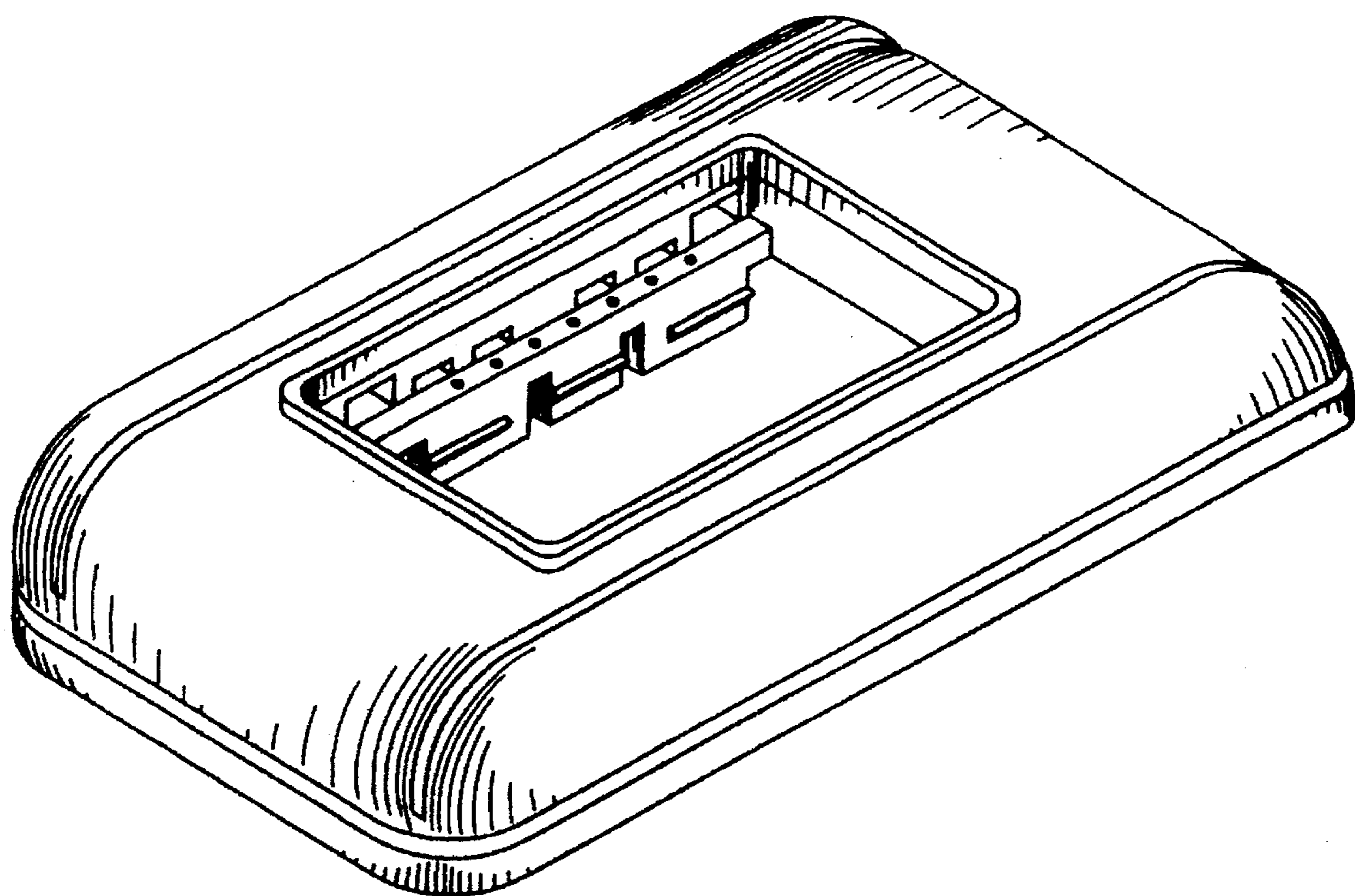


FIG.5