



US00D381957S

# United States Patent [19] Goto

[11] Patent Number: **Des. 381,957**  
[45] Date of Patent: **\*\*Aug. 5, 1997**

[54] CONNECTOR

[75] Inventor: **Teiyu Goto**, Tokyo, Japan

[73] Assignee: **Sony Corporation**, Tokyo, Japan

[\*\*] Term: **14 Years**

[21] Appl. No.: **42,856**

[22] Filed: **Aug. 9, 1995**

### Related U.S. Application Data

[63] Continuation-in-part of Ser. No. 30,143, Nov. 4, 1994, abandoned.

### [30] Foreign Application Priority Data

May 7, 1994 [JP] Japan ..... 6-12895

[51] LOC (6) Cl. .... **13-03**

[52] U.S. Cl. .... **D13/147**

[58] Field of Search ..... D13/147; 439/62,  
439/76, 78, 82, 83, 248, 562, 571, 607,  
608, 609, 610

### [56] References Cited

#### U.S. PATENT DOCUMENTS

D. 366,242 1/1996 Goto ..... D13/147  
4,944,568 7/1990 Danbach et al. .... 439/248 X

4,984,992 1/1991 Beamenderfer et al. .... 439/108  
5,199,902 4/1993 Kahle et al. .... 439/595  
5,486,117 1/1996 Chang ..... 439/357

*Primary Examiner*—Joel Sincavage  
*Attorney, Agent, or Firm*—Foley & Lardner

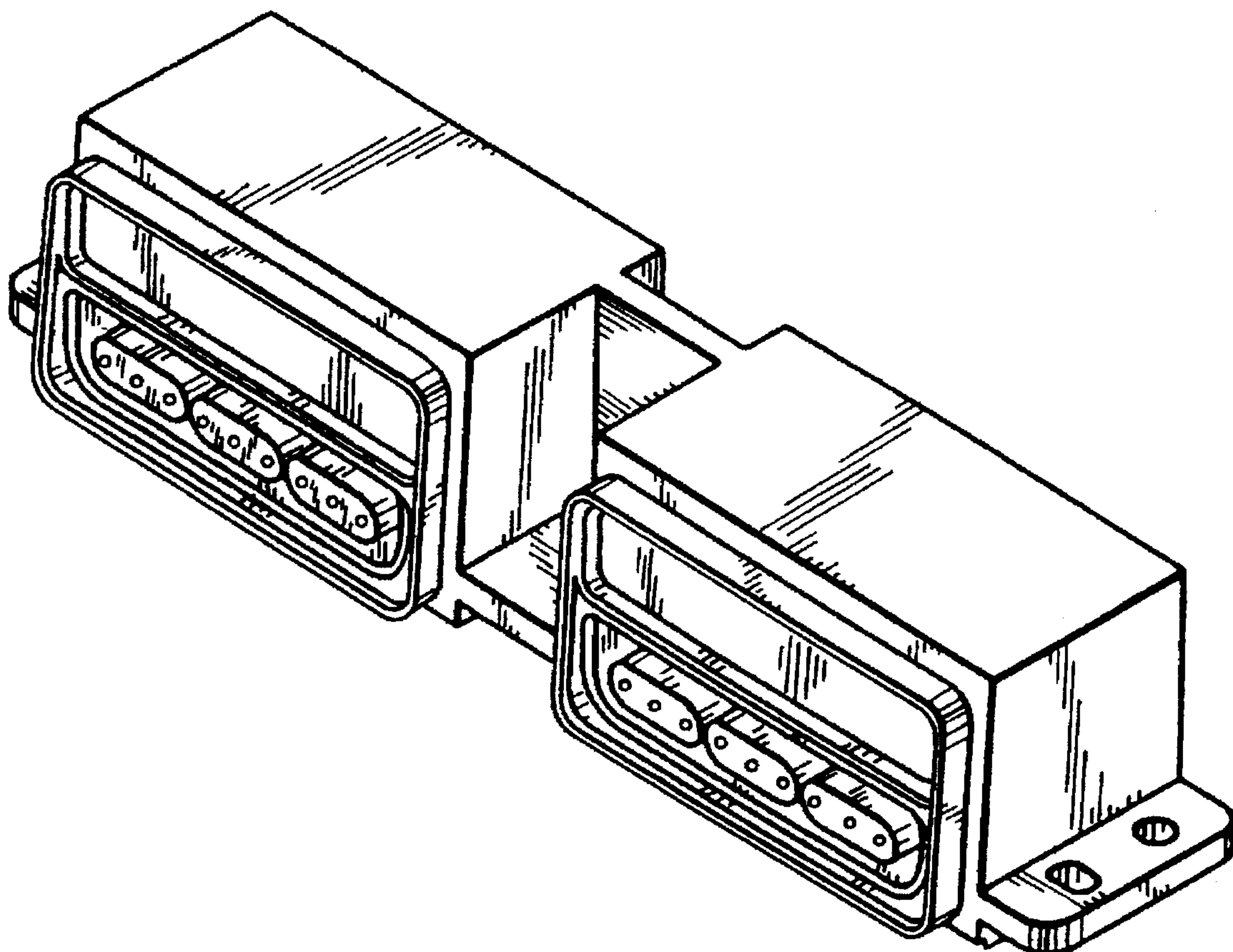
### [57] CLAIM

The ornamental design for a connector, as shown and described.

### DESCRIPTION

FIG. 1 is a upper front perspective view of a first embodiment of the connector including my new design; FIG. 2 is a lower rear perspective view thereof; FIG. 3 is a top plan view thereof; FIG. 4 is a left side elevational view thereof; FIG. 5 is a front elevational view thereof; FIG. 6 is a right side elevational view thereof; FIG. 7 is a rear elevational view thereof; FIG. 8 is a bottom plan view thereof; FIG. 9 is a lower rear perspective view of a second embodiment of the connector; FIG. 10 is a top plan view thereof; and, FIG. 11 is a bottom plan view thereof. All other views of the second embodiment are the same as the first embodiment.

**1 Claim, 3 Drawing Sheets**



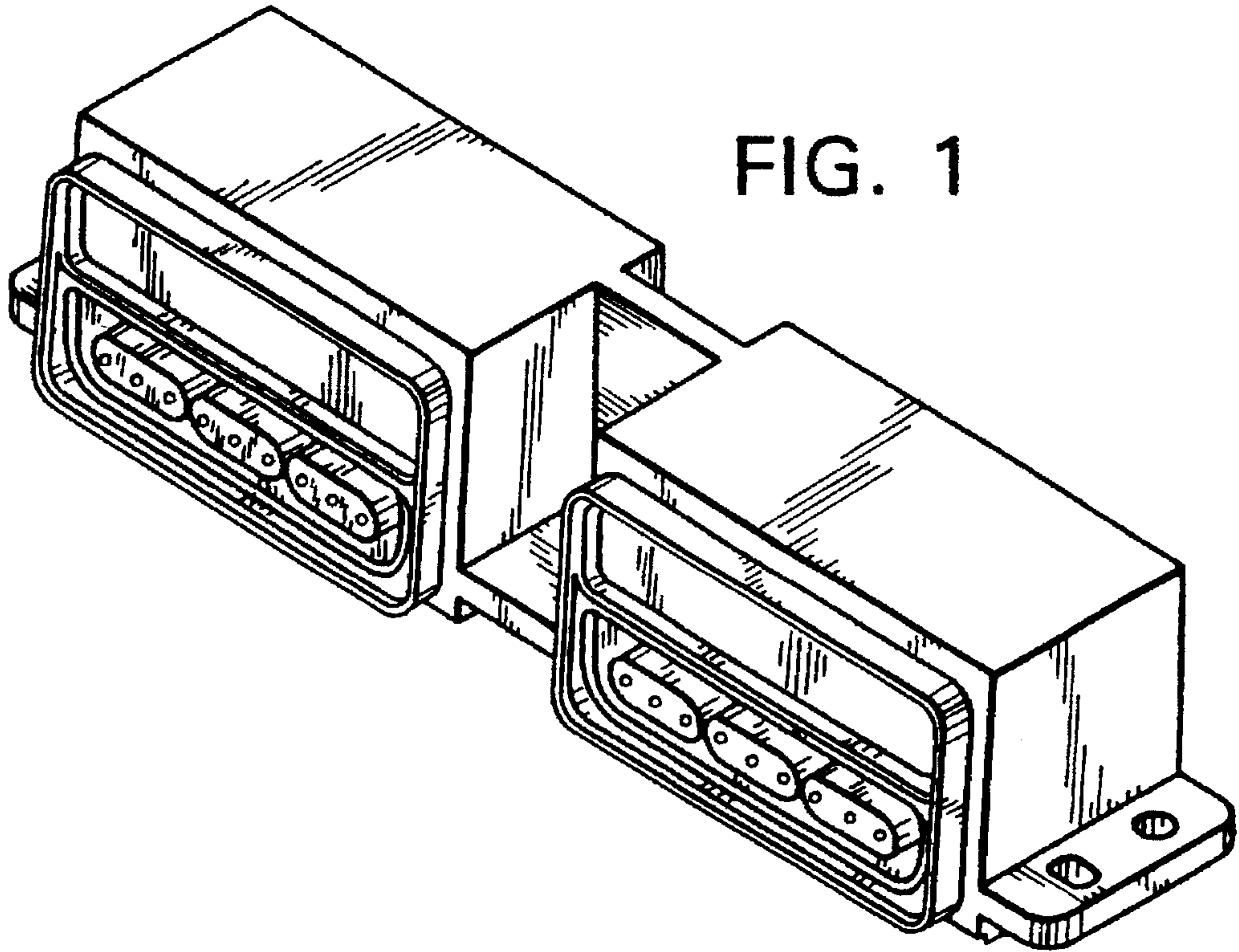


FIG. 1

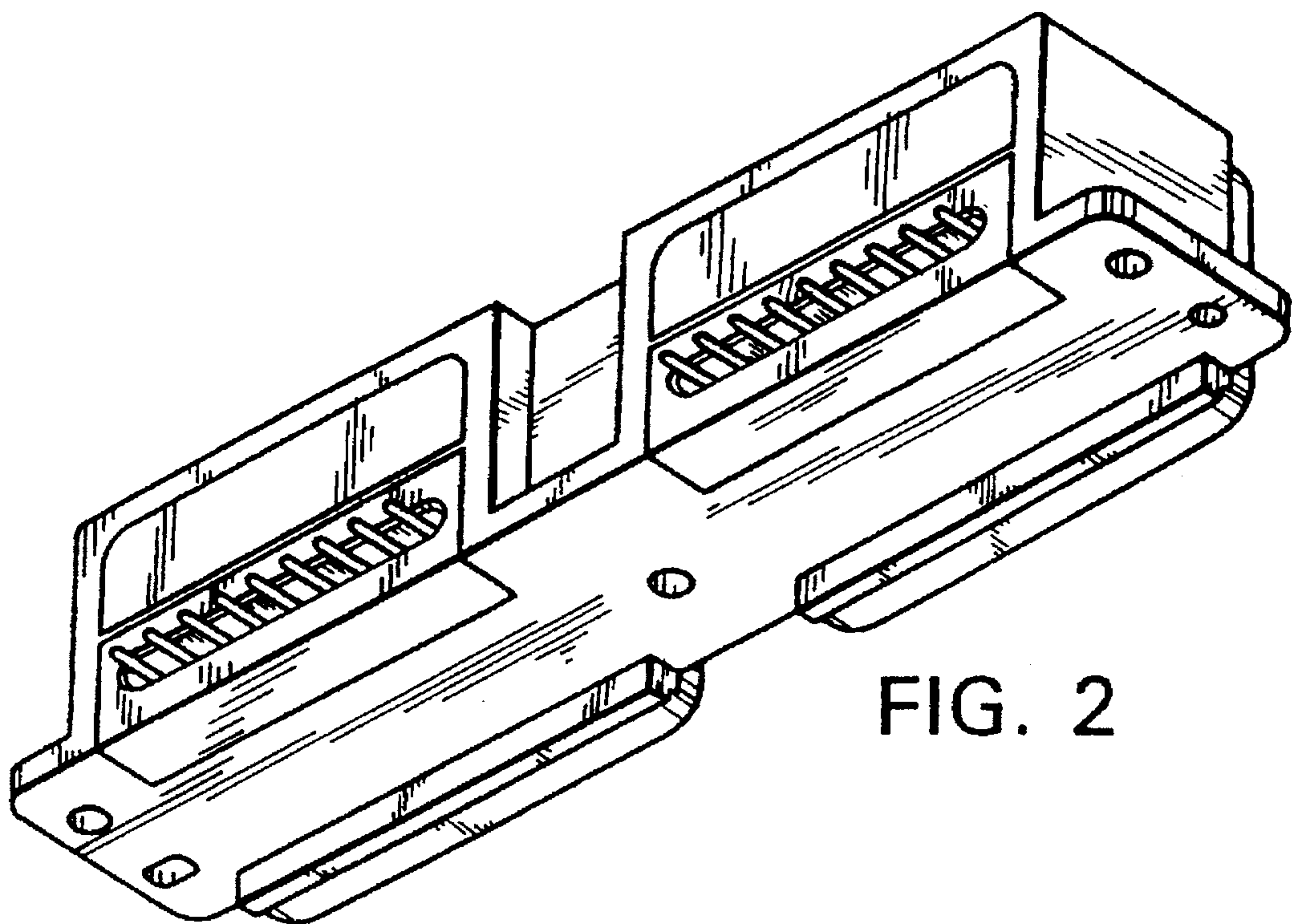


FIG. 2

FIG. 3

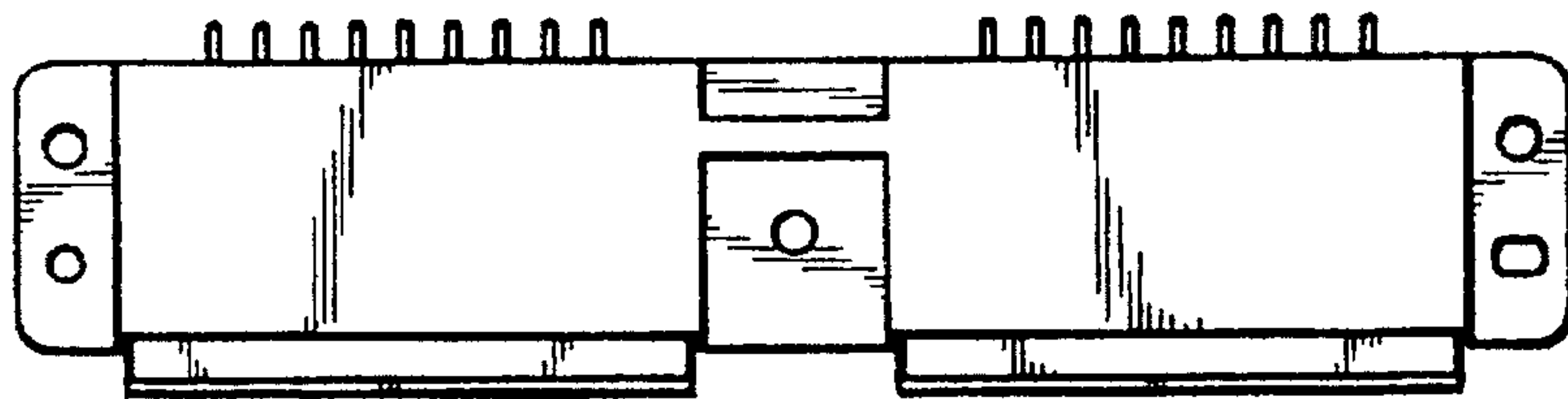


FIG. 4

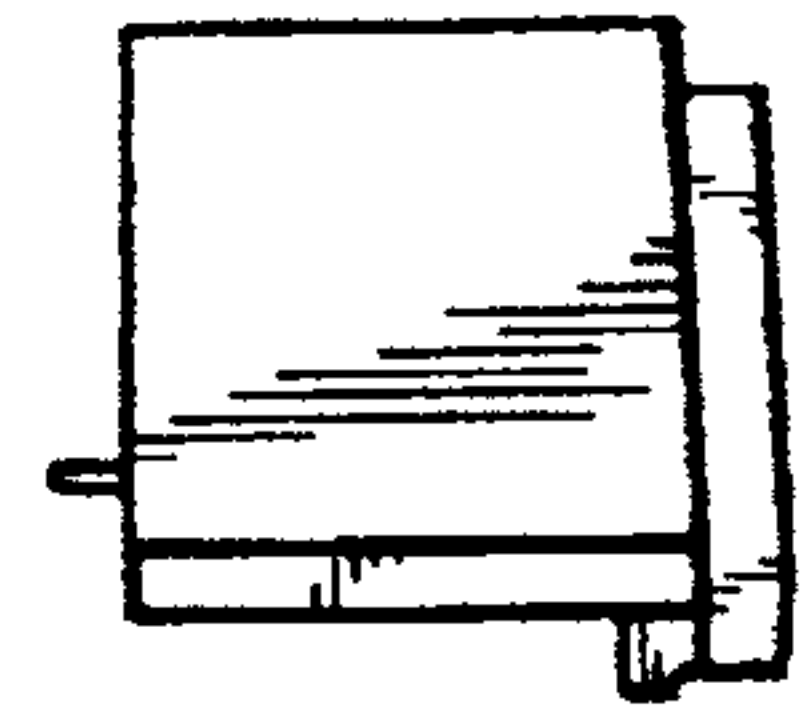


FIG. 5

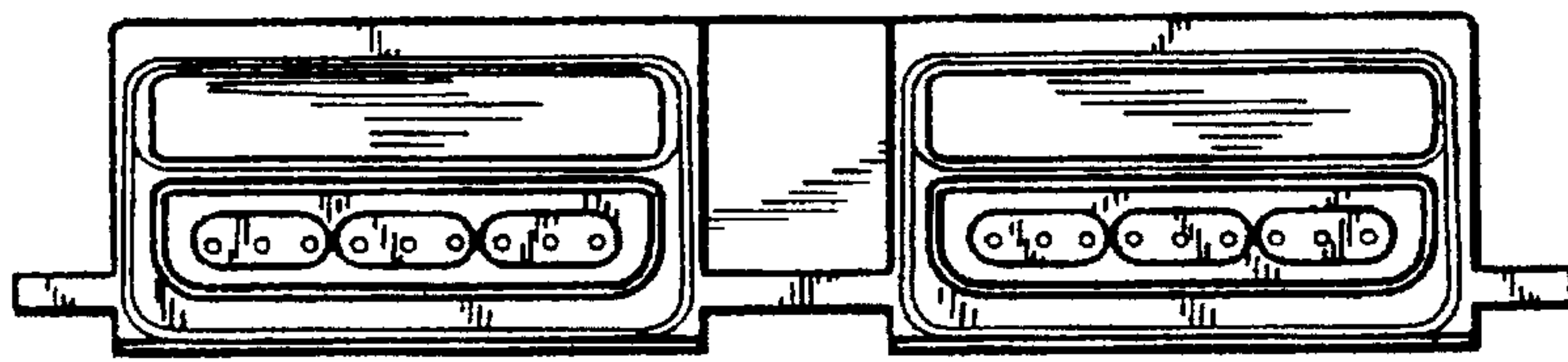


FIG. 6

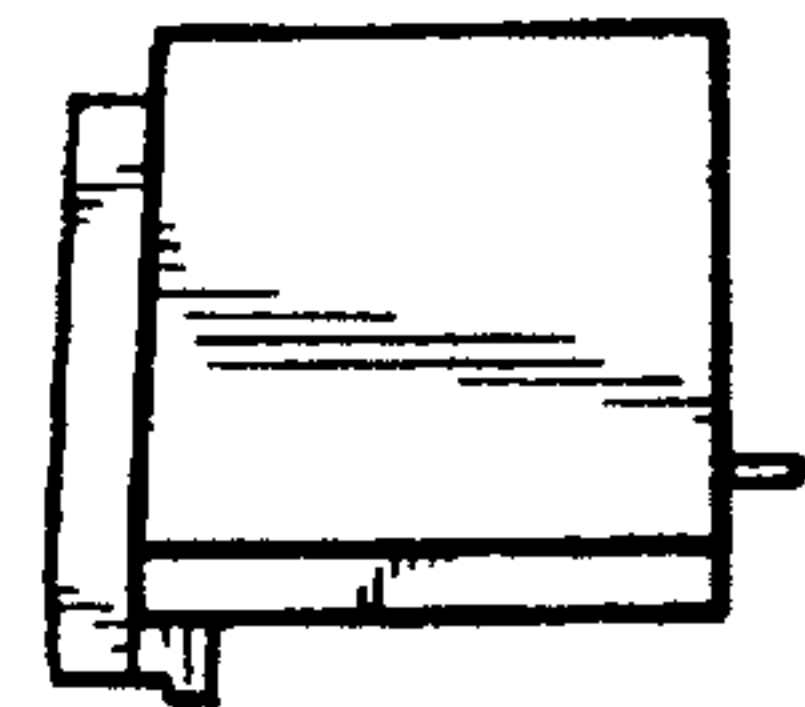


FIG. 7

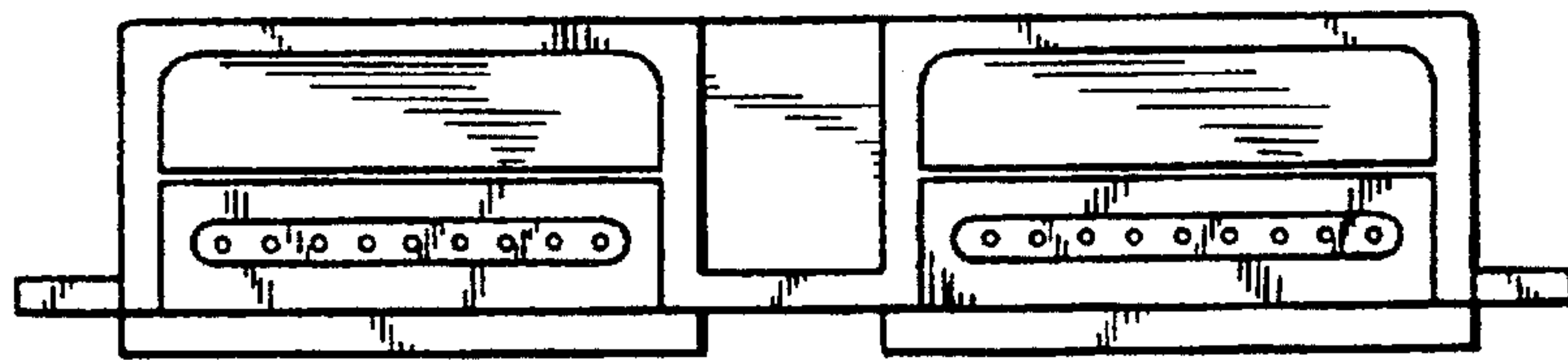
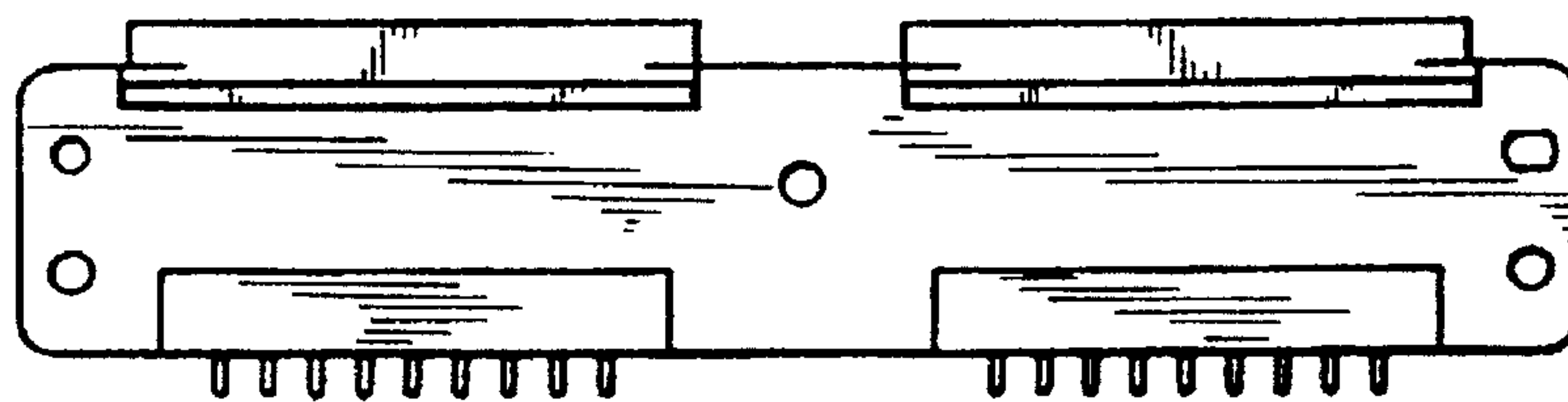


FIG. 8





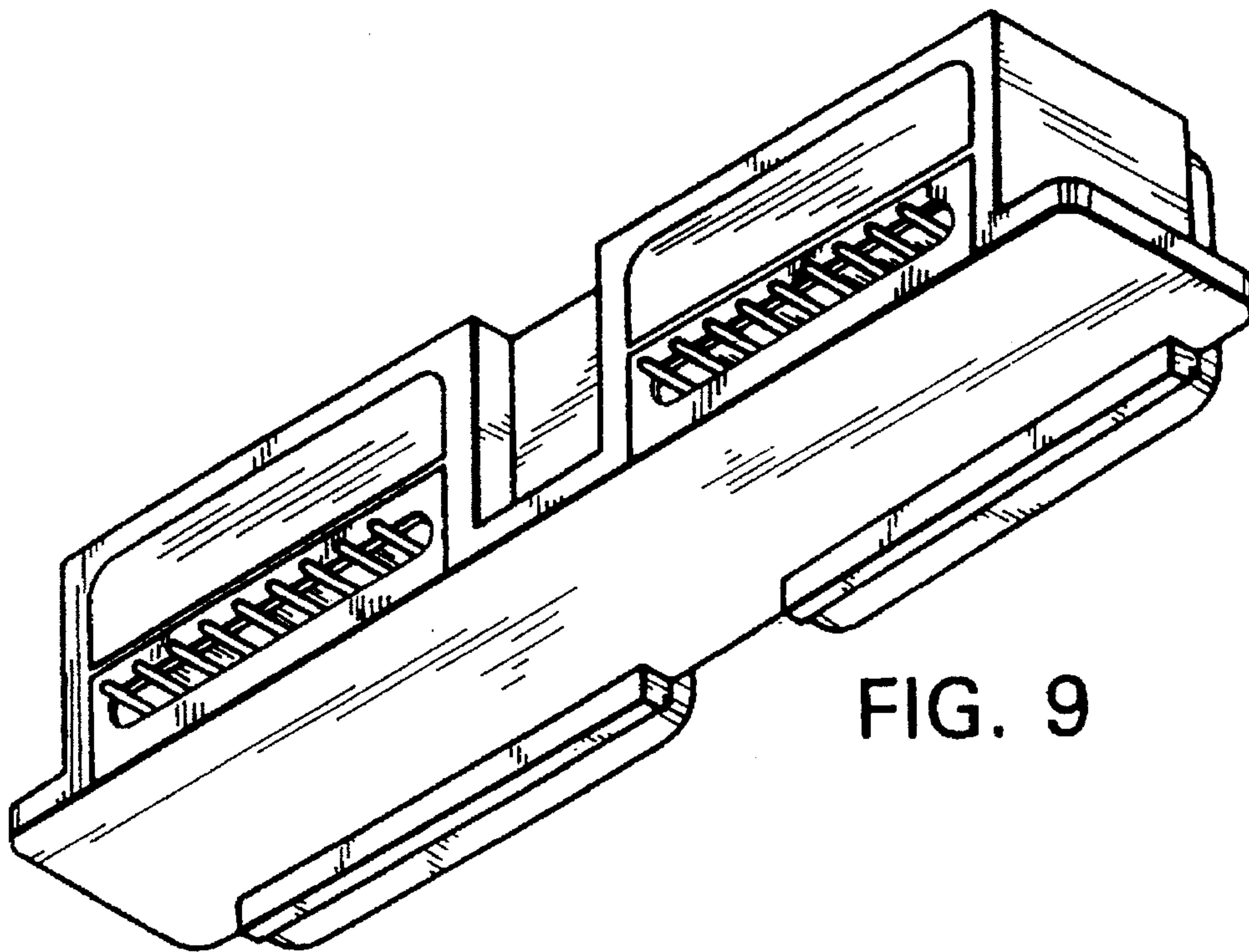


FIG. 9

FIG. 10

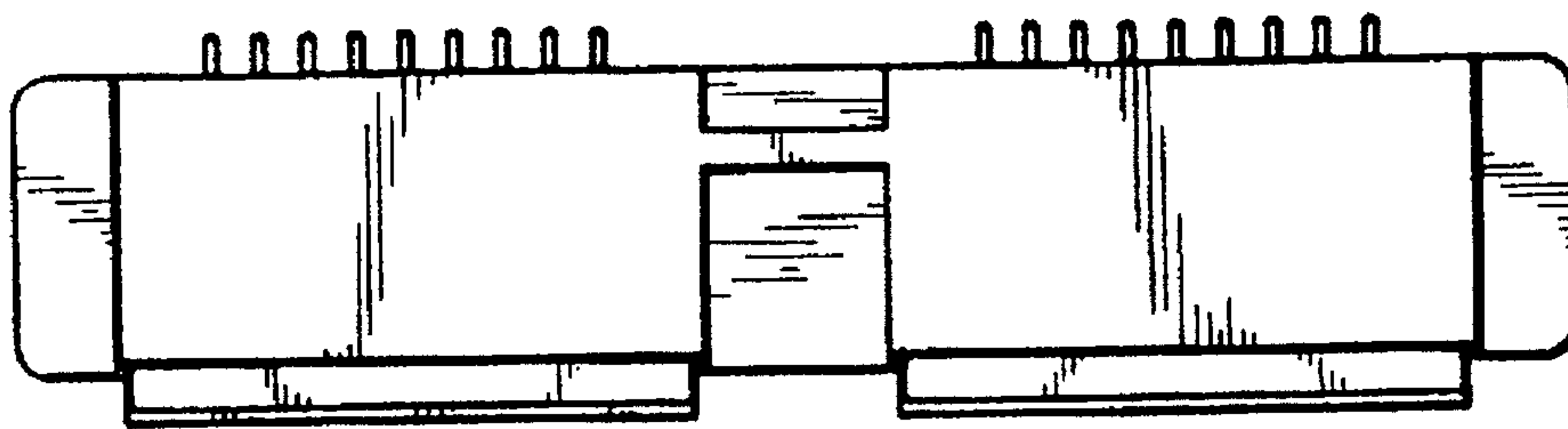


FIG. 11

