



US00D381956S

United States Patent [19] Naufel

[11] Patent Number: **Des. 381,956**
[45] Date of Patent: ****Aug. 5, 1997**

[54] **COMPUTER BACK PANEL PORTION**

5,199,888 4/1993 Condra et al. 439/142
5,313,596 5/1994 Swindler et al. 395/281
5,320,554 6/1994 Freer et al. 439/347

[75] Inventor: **Naufel C. Naufel**, Tempe, Ariz.

[73] Assignee: **Motorola, Inc.**, Schaumburg, Ill.

[**] Term: **14 Years**

OTHER PUBLICATIONS

Global Dec. 1993 p. 72 *back panel of computer right side of page.*
Network Management Feb. 1992 p. 59 *connectors from AMP.*

[21] Appl. No.: **41,685**

[22] Filed: **Jun. 28, 1995**

Primary Examiner—Freda S. Nunn
Attorney, Agent, or Firm—S. Kevin Pickens

[51] LOC (6) Cl. **13-03**

[52] U.S. Cl. **D13/146; D14/115**

[58] Field of Search D14/114, 115;
D13/147, 164, 146, 177, 184, 199; 312/223.2,
292; 439/347, 545, 372, 639, 654, 142,
136; 364/708.1; 361/683, 684, 686, 424,
725, 818; 333/12; 395/281, 325

[57] CLAIM

The ornamental design for the computer back panel portion, as shown and described.

[56] References Cited

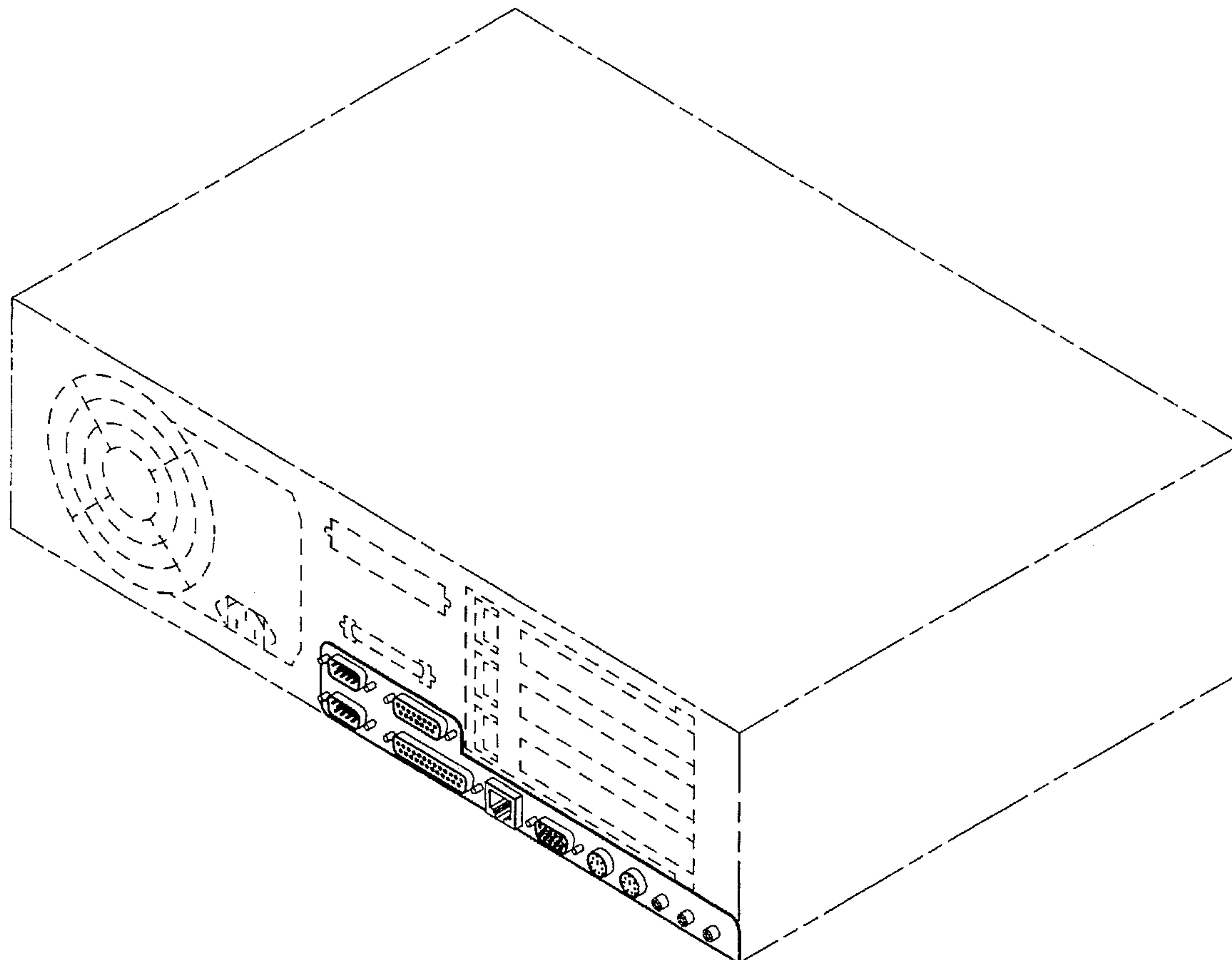
U.S. PATENT DOCUMENTS

D. 372,909	8/1996	Naufel	D14/115
4,916,578	4/1990	Mast	361/818
5,030,128	7/1991	Herron et al.	439/372
5,036,481	7/1991	Lunsford et al.	361/686
5,051,868	9/1991	Leverault et al.	361/683
5,136,468	8/1992	Wong et al.	361/683
5,165,055	11/1992	Metsler	333/12

DESCRIPTION

FIG. 1 is an isometric view of a computer back panel portion showing my new design;
FIG. 2 is an enlarged isometric view thereof; and,
FIG. 3 is an isometric view thereof.
The desktop computer system in FIG. 1 and the mini tower computer system in FIG. 3 are shown in broken lines for illustrative purposes only and form no part of the claimed design.

1 Claim, 3 Drawing Sheets



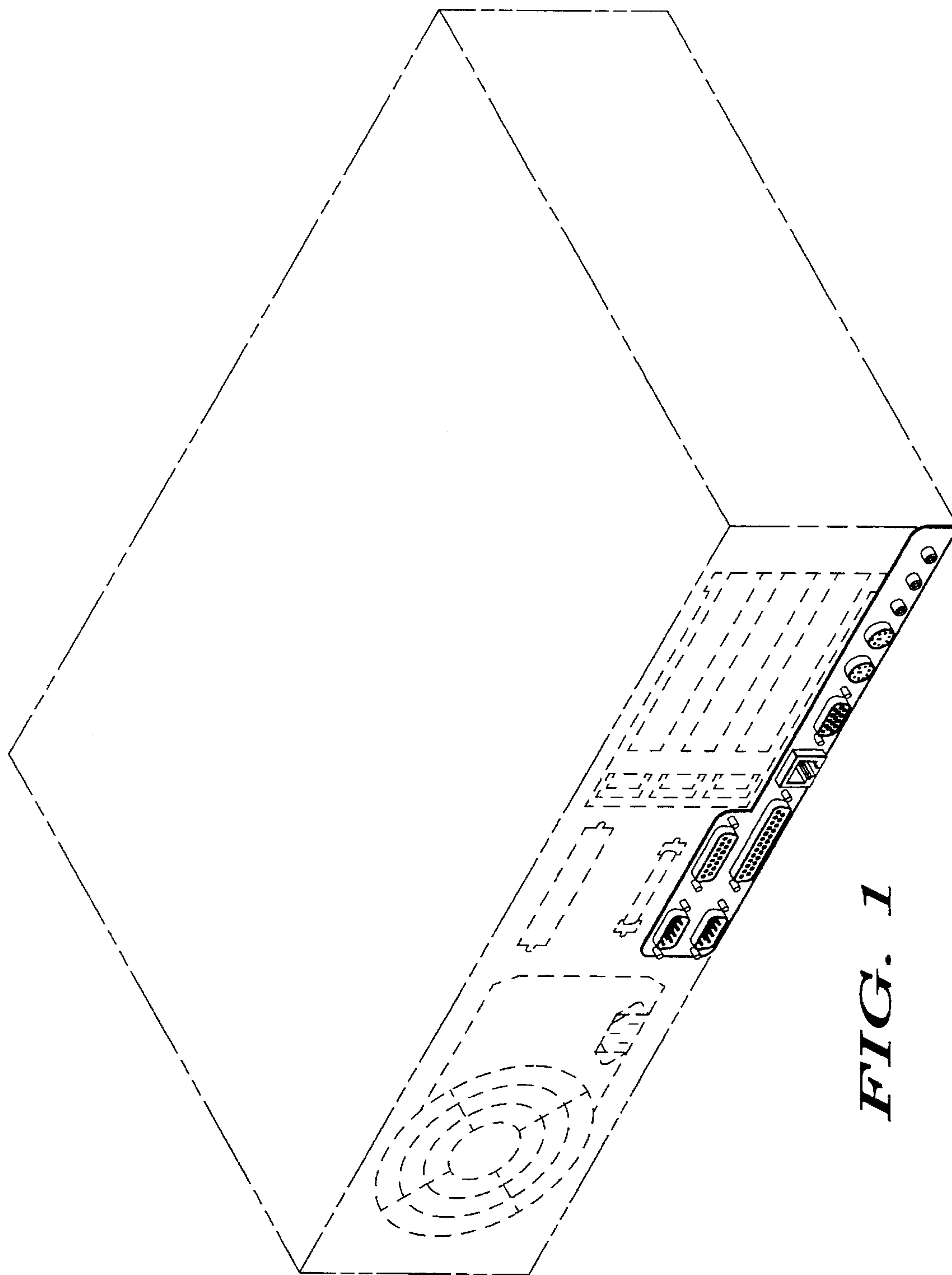


FIG. 1

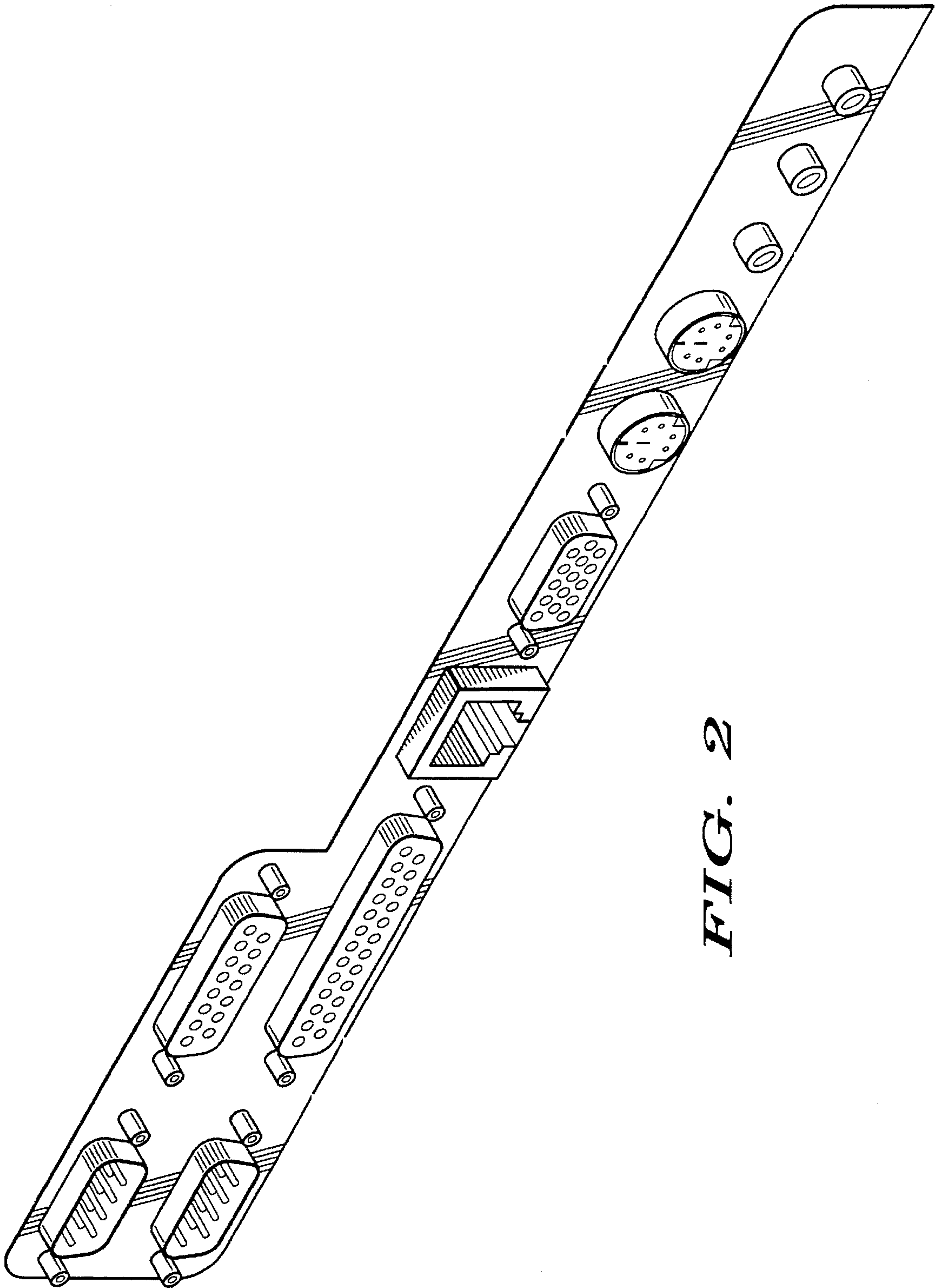


FIG. 2

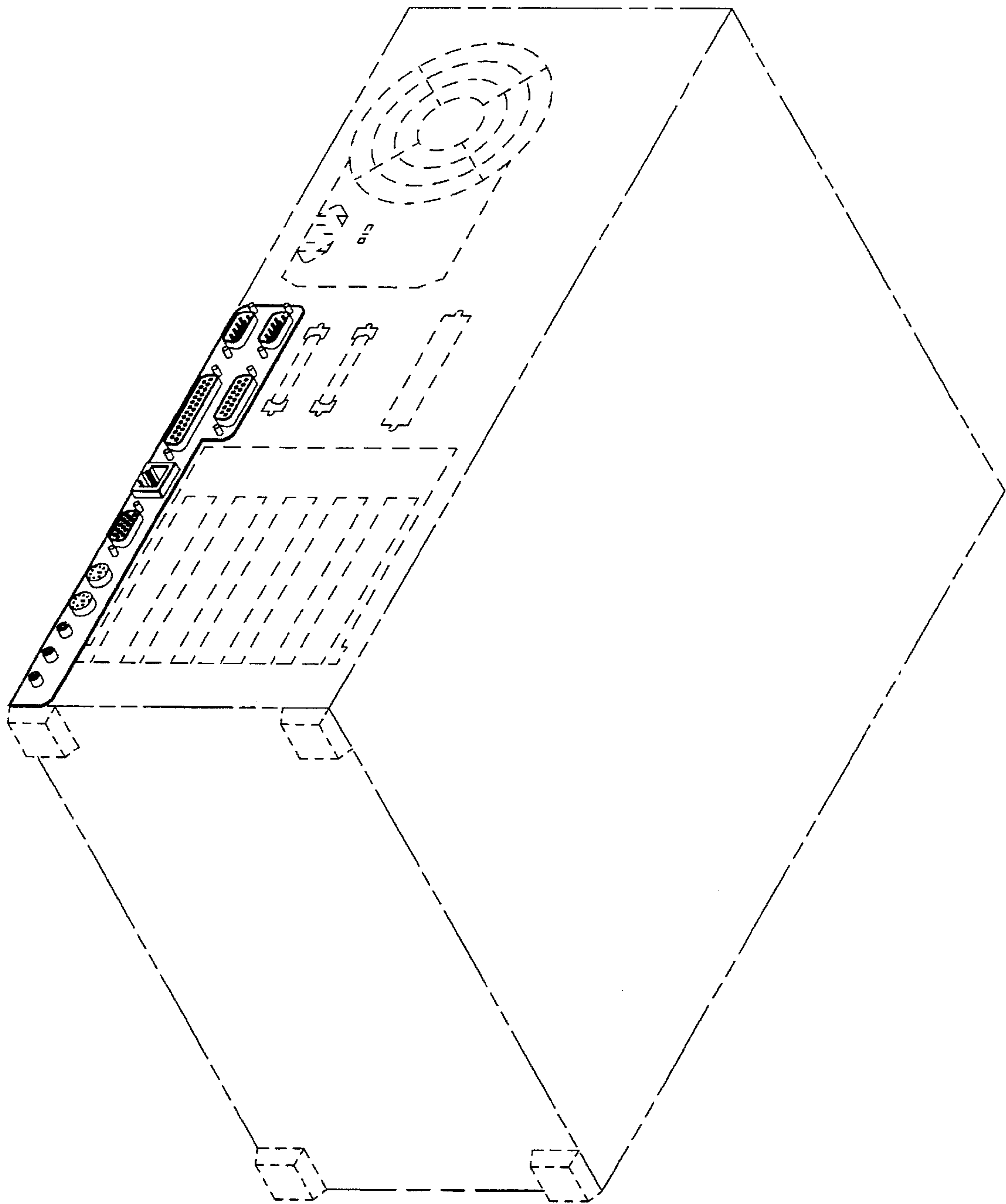


FIG. 3