



US00D381955S

# United States Patent [19] Naufel

[11] Patent Number: **Des. 381,955**

[45] Date of Patent: **\*\*Aug. 5, 1997**

[54] **COMPUTER BACK PANEL PORTION**

[75] Inventor: **Naufel C. Naufel**, Tempe, Ariz.

[73] Assignee: **Motorola, Inc.**, Schaumburg, Ill.

[\*\*] Term: **14 Years**

[21] Appl. No.: **41,328**

[22] Filed: **Jun. 28, 1995**

[51] LOC (6) Cl. .... **13-03**

[52] U.S. Cl. .... **D13/146; D14/115**

[58] **Field of Search** ..... D14/114, 115;  
D13/147, 164, 146, 177, 184, 199; 312/223.2,  
292; 439/347, 545, 372, 639, 654, 142,  
136; 364/708.1; 361/686, 683, 684, 424,  
818, 725; 333/12; 395/325, 281

[56] **References Cited**

**U.S. PATENT DOCUMENTS**

D. 372,909	8/1996	Naufel	.....	D14/115
4,916,578	4/1990	Mast	.....	361/818
5,030,128	7/1991	Herron et al.	.....	439/372
5,036,481	7/1991	Lunsford et al.	.....	361/686
5,051,868	9/1991	Leverault et al.	.....	361/683
5,136,468	8/1992	Wong et al.	.....	361/683
5,165,055	11/1992	Metsler	.....	333/12

5,199,888 4/1993 Condra et al. .... 439/142

5,313,596 5/1994 Swindler et al. .... 395/281

5,320,554 6/1994 Freer et al. .... 439/347

**OTHER PUBLICATIONS**

Global Dec. 1993 p. 72 back panel of computer right side of page.

Network Management Feb. 1992 p. 59 connectors from AMP.

*Primary Examiner*—Freda Nunn

*Attorney, Agent, or Firm*—S. Kevin Pickens

[57] **CLAIM**

The ornamental design for the computer back panel portion, as shown and described.

**DESCRIPTION**

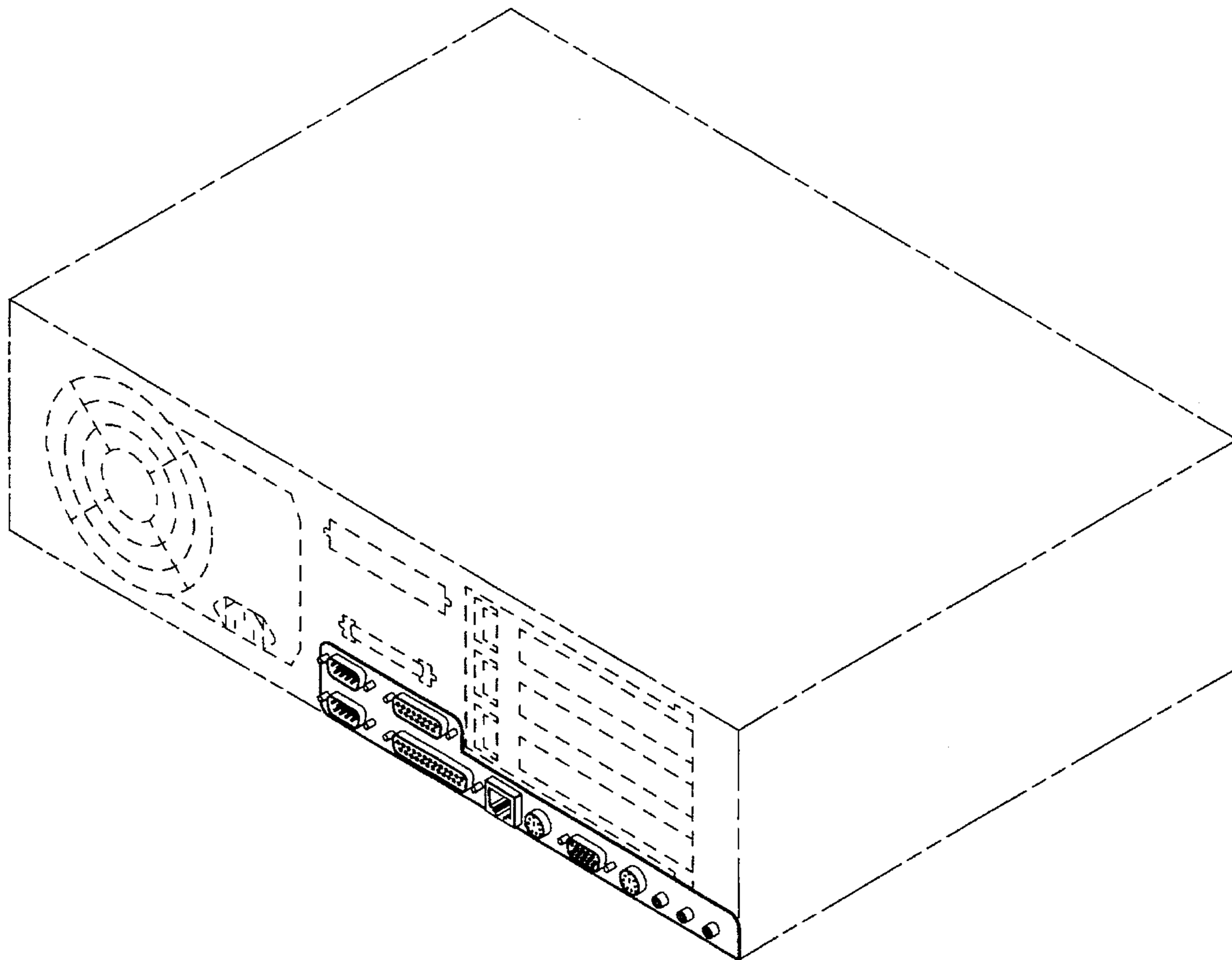
FIG. 1 is an isometric view of a computer back panel showing my new design;

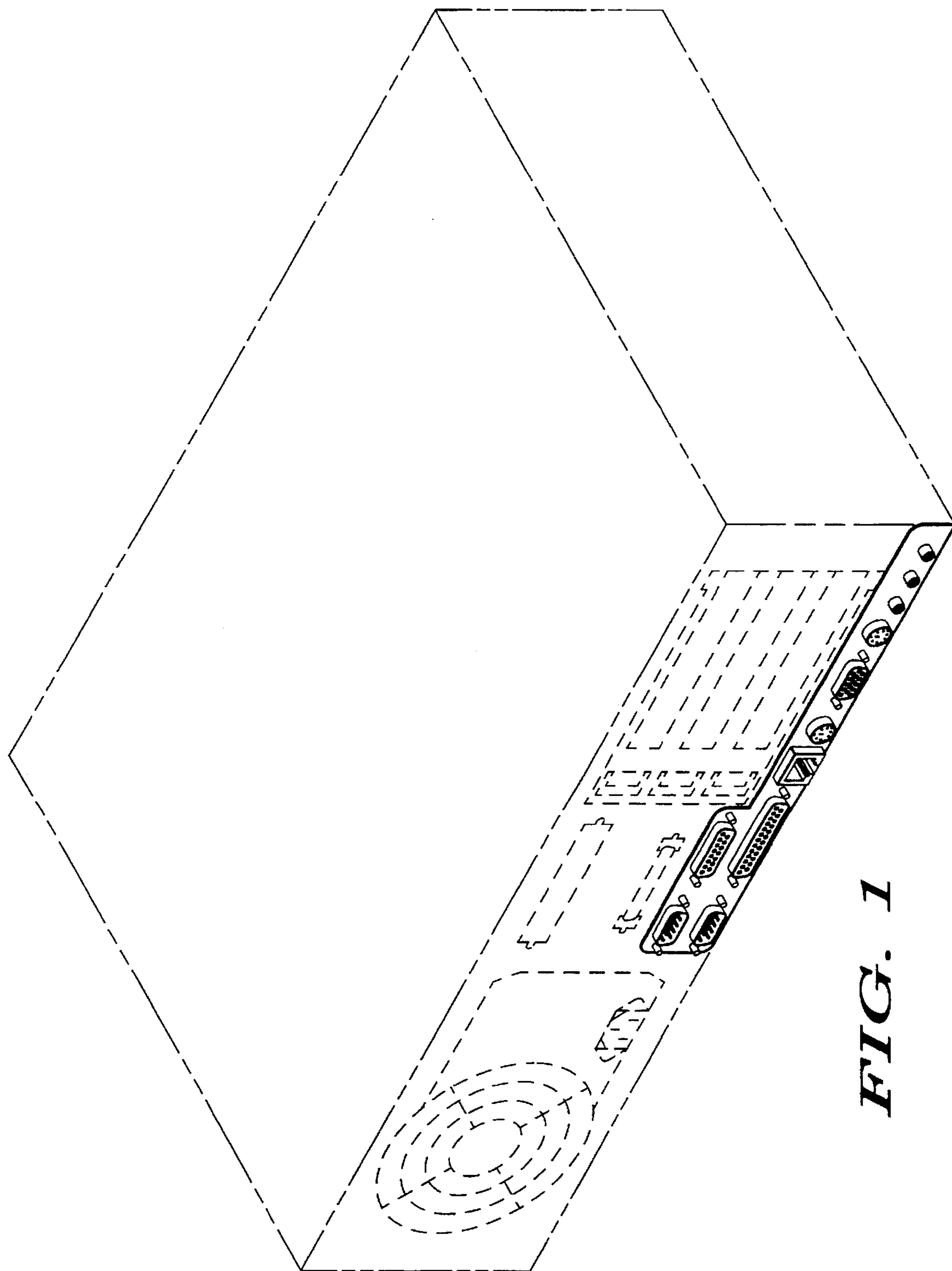
FIG. 2 is an enlarged isometric view thereof; and,

FIG. 3 is an isometric view thereof.

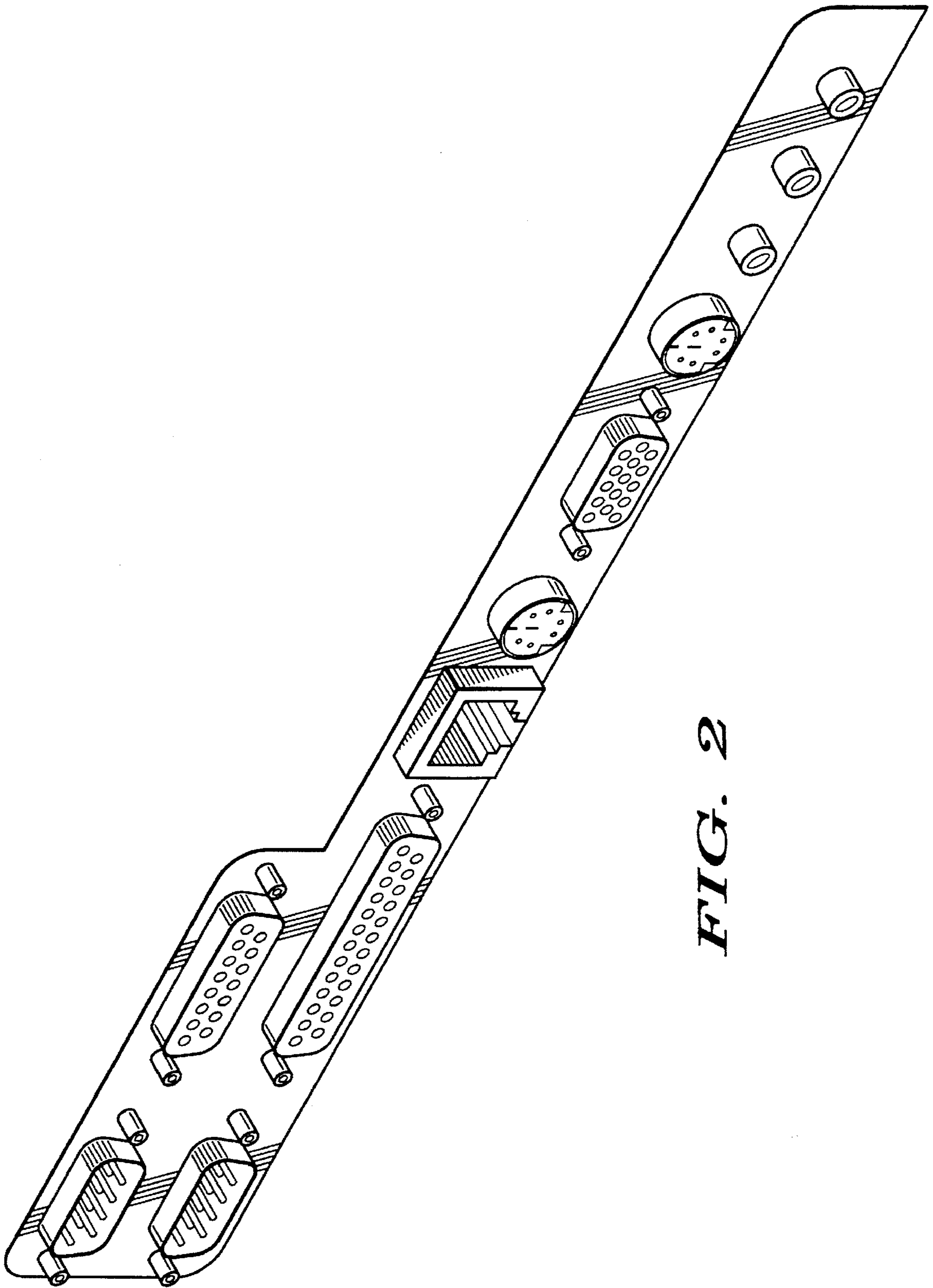
The desktop computer system in FIG. 1 and the mini tower computer system in FIG. 3 are shown in broken lines for illustrative purposes only and form no part of the claimed design.

**1 Claim, 3 Drawing Sheets**

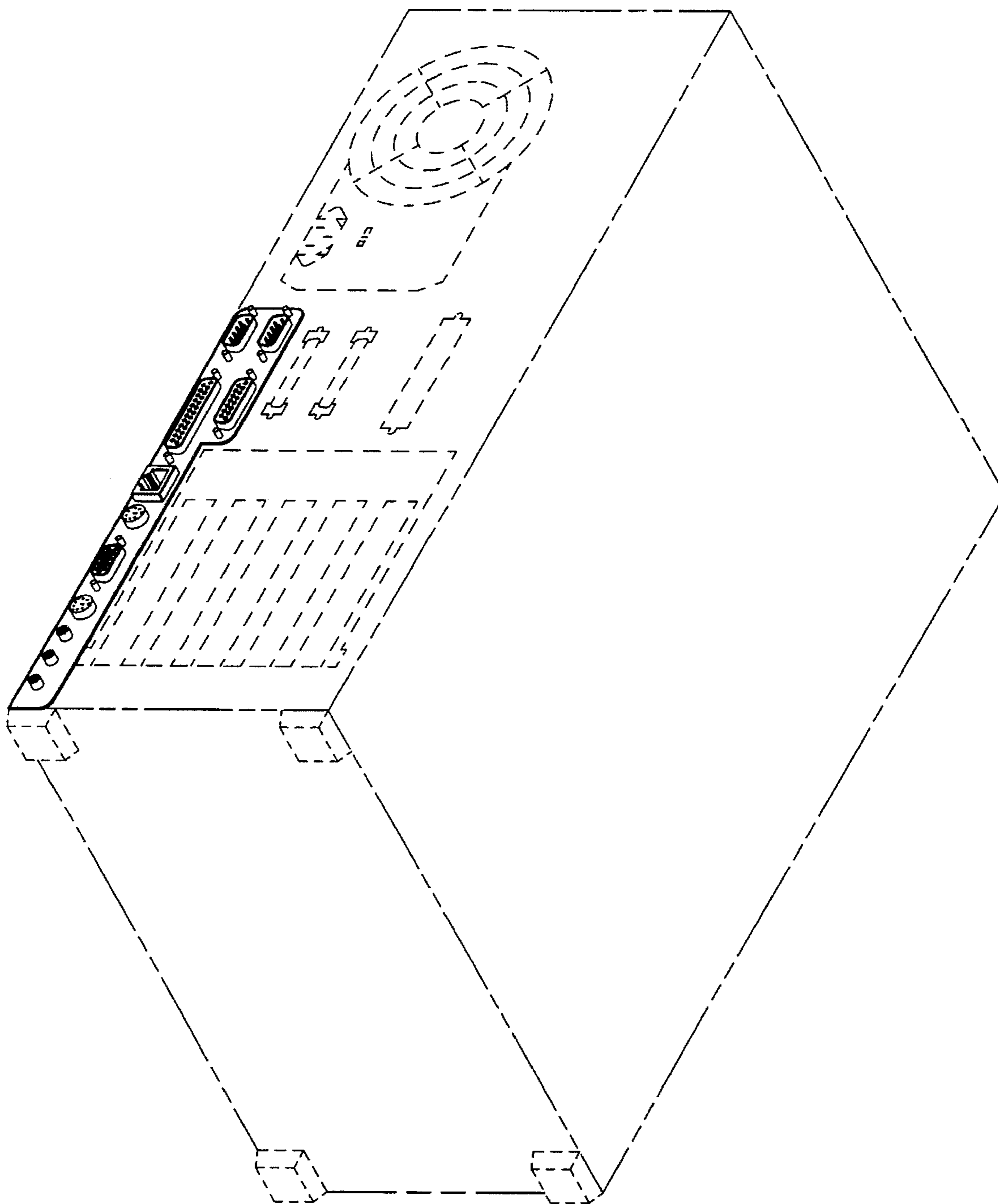




**FIG. 1**



*FIG. 2*



**FIG. 3**