



US00D381954S

# United States Patent [19] Tashiro

[11] Patent Number: **Des. 381,954**

[45] Date of Patent: **\*\*Aug. 5, 1997**

[54] **CASE FOR STORAGE BATTERY**

[75] Inventor: **Naoki Tashiro**, Kawasaki, Japan

[73] Assignee: **Canon Kabushiki Kaisha**, Tokyo, Japan

[\*\*] Term: **14 Years**

[21] Appl. No.: **42,280**

[22] Filed: **Aug. 4, 1995**

[30] **Foreign Application Priority Data**

Feb. 6, 1995 [JP] Japan ..... 7-2765

[51] LOC (6) Cl. .... **13-02**

[52] U.S. Cl. .... **D13/103**

[58] Field of Search ..... D13/103; 429/97-99,  
429/121, 159, 163, 176

[56] **References Cited**

**U.S. PATENT DOCUMENTS**

D. 243,616 3/1977 Kaye ..... D13/103  
D. 323,809 2/1992 Ross, Jr. .... D13/103

D. 329,634 9/1992 Mizusugi et al. .... D13/103  
D. 343,381 1/1994 Inukai et al. .... D13/103 X  
D. 346,581 5/1994 Tattari ..... D13/103  
D. 361,309 8/1995 White ..... D13/103  
D. 367,256 2/1996 Tokunaga ..... D13/103

*Primary Examiner*—Joel Sincavage  
*Attorney, Agent, or Firm*—Fitzpatrick, Cella, Harper & Scinto

[57] **CLAIM**

The ornamental design for a case for storage battery, as shown and described.

**DESCRIPTION**

FIG. 1 is a front elevational view of a case for storage battery showing my new design;  
FIG. 2 is a rear elevational view thereof;  
FIG. 3 is a top plan view thereof;  
FIG. 4 is a bottom plan view thereof;  
FIG. 5 is a left side elevational view thereof;  
FIG. 6 is a right side elevational view thereof; and,  
FIG. 7 is a perspective view thereof.

**1 Claim, 3 Drawing Sheets**

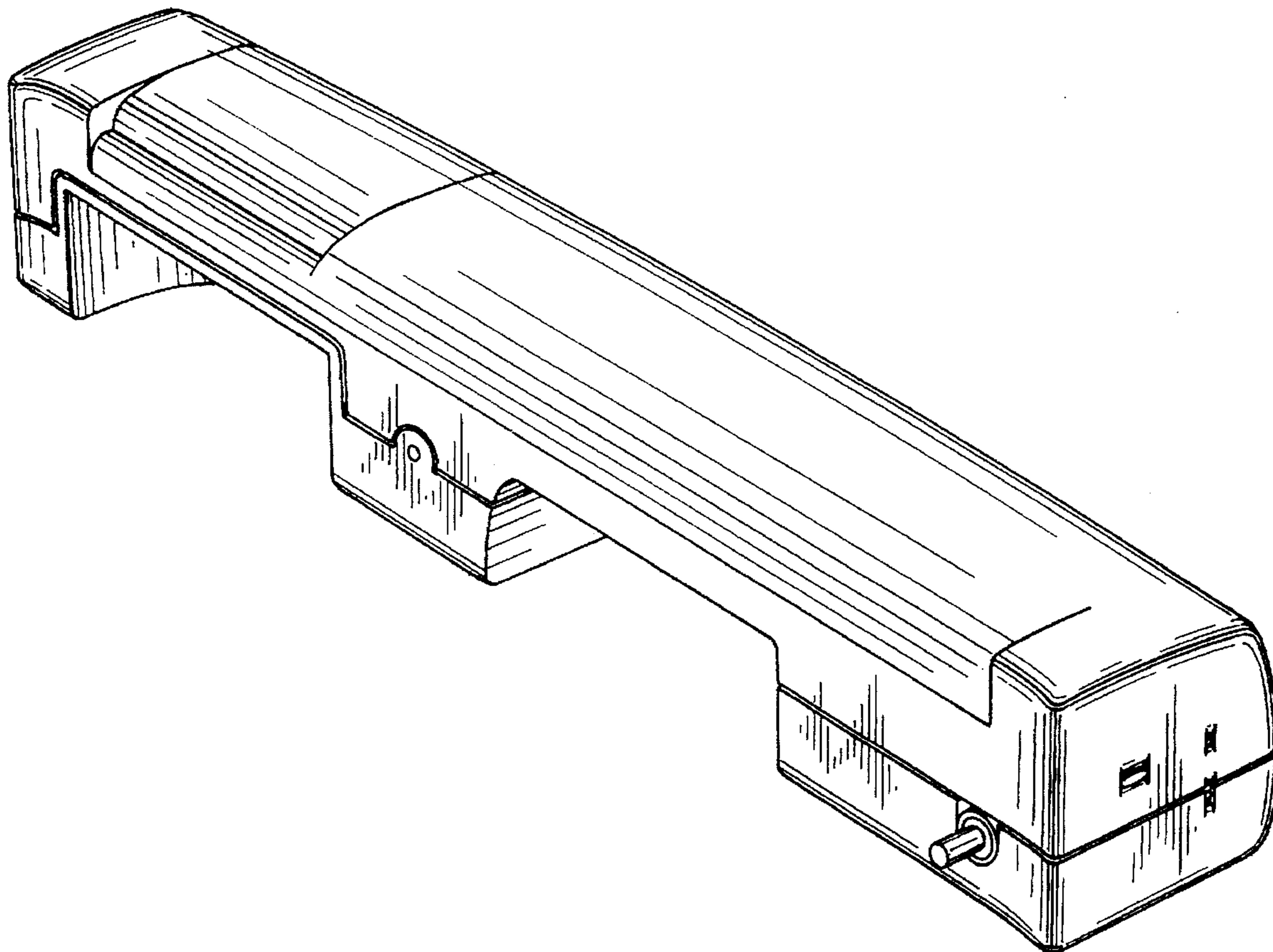


FIG. 1

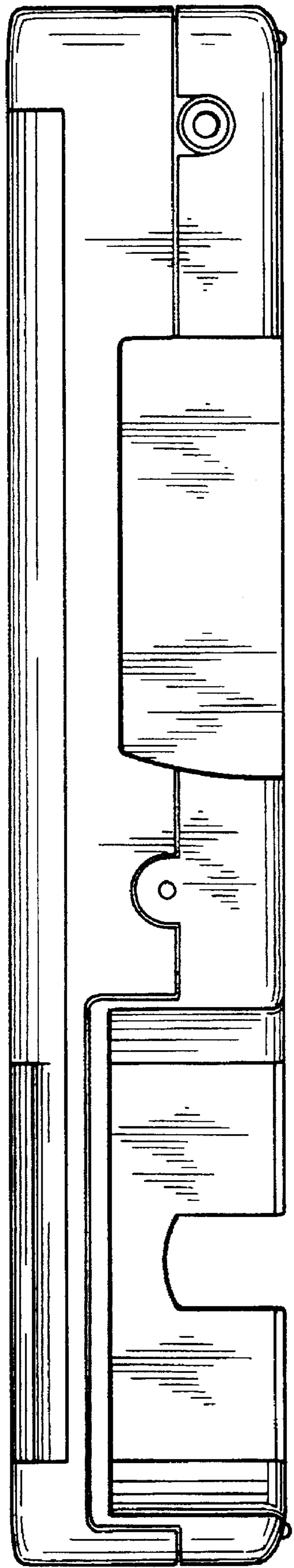


FIG. 2

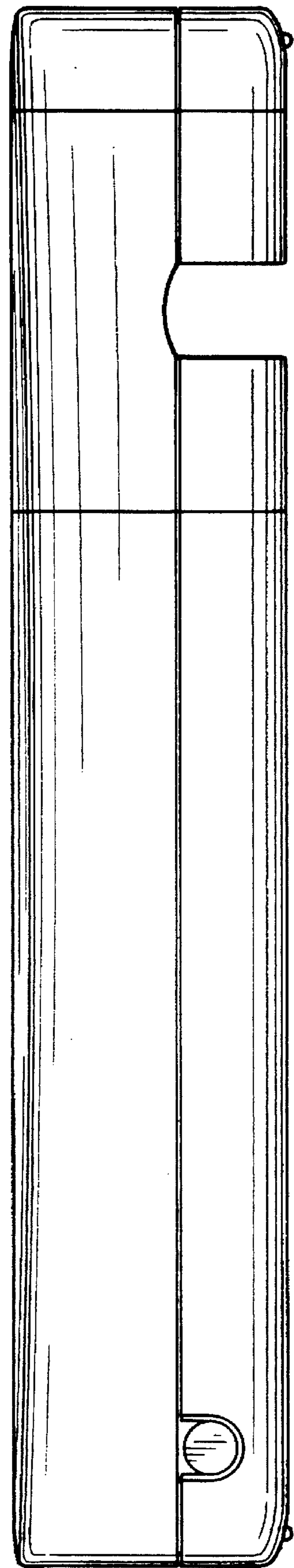


FIG. 3

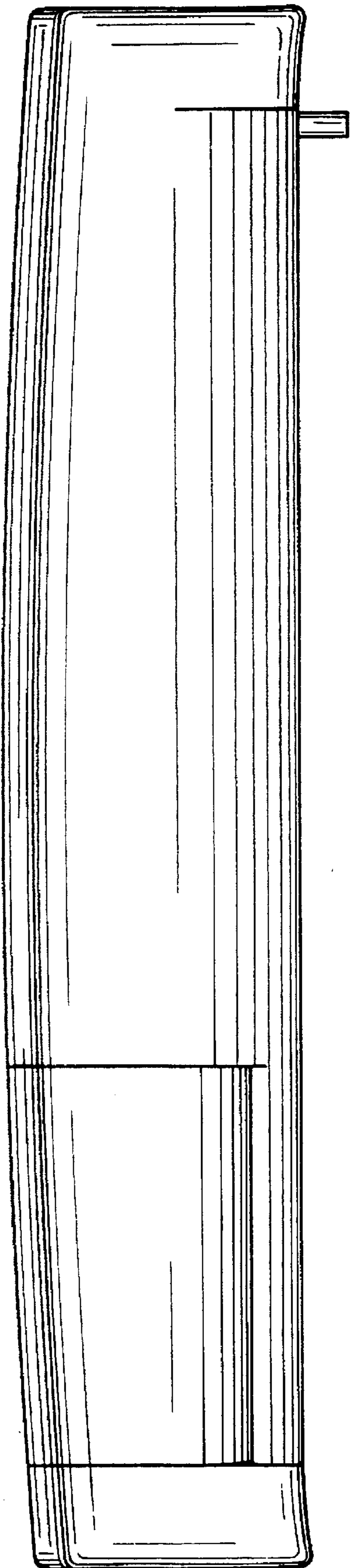
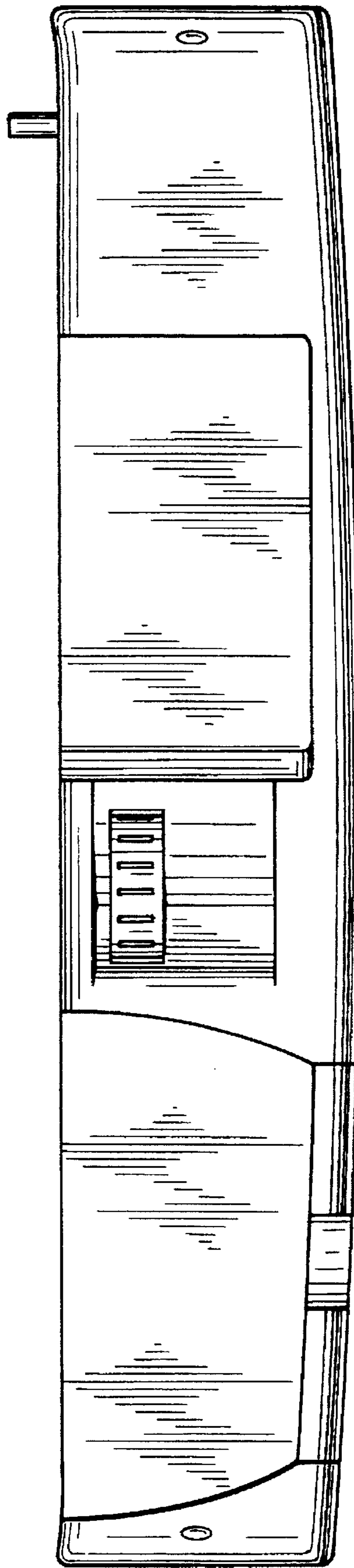


FIG. 4



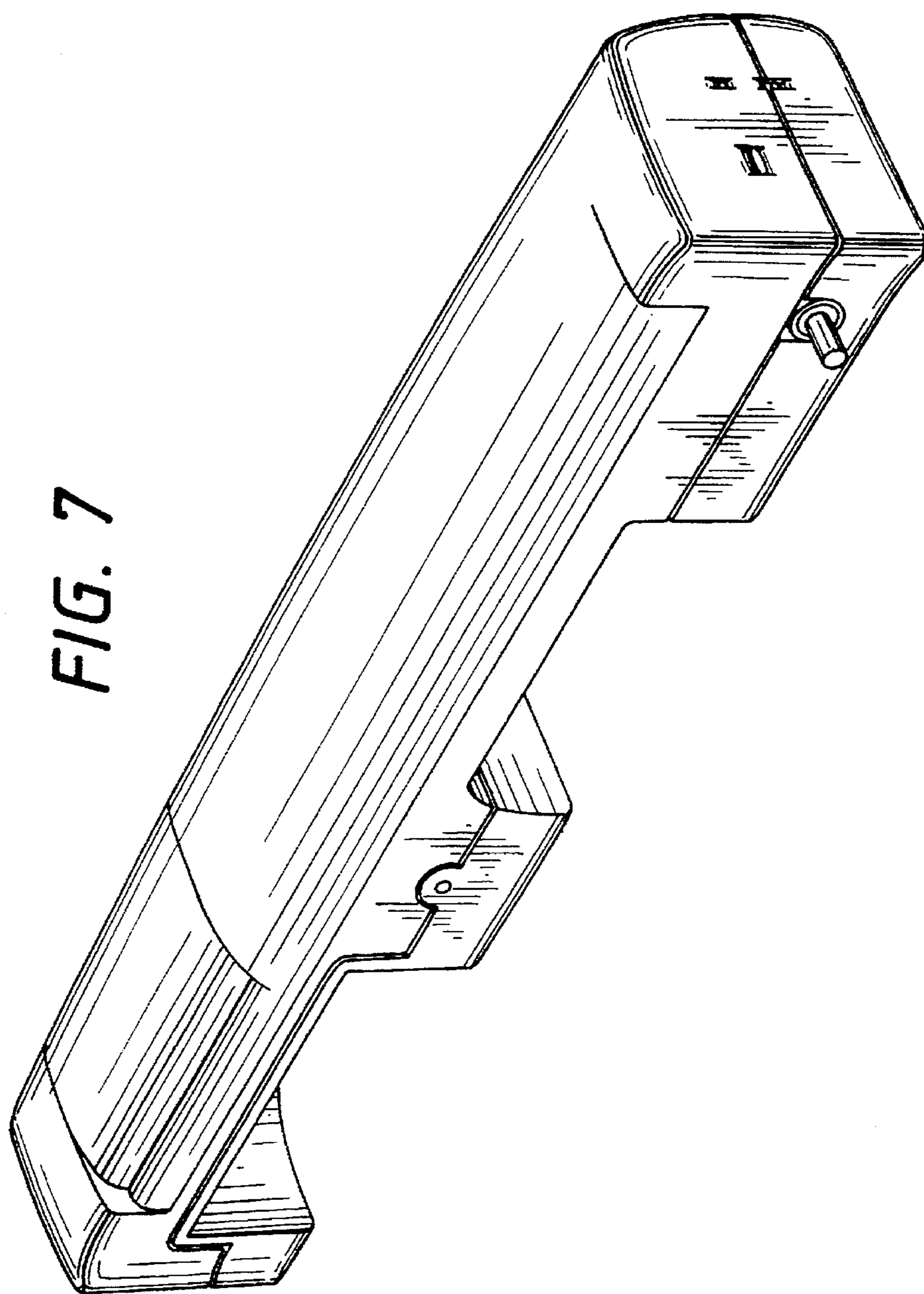


FIG. 7

FIG. 5

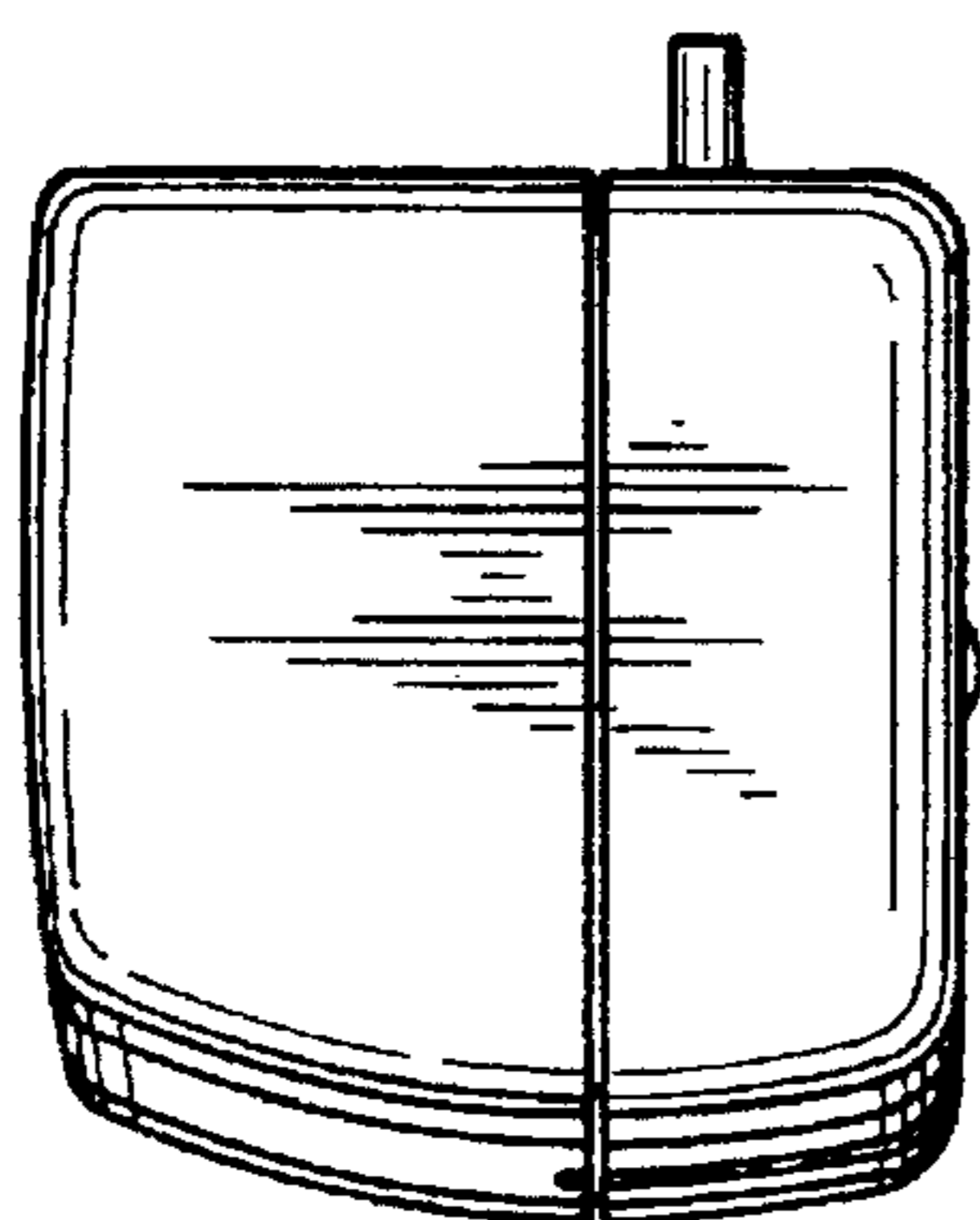


FIG. 6

