



US00D381952S

# United States Patent [19]

Carter, Jr.

[11] Patent Number: Des. 381,952

[45] Date of Patent: \*\*Aug. 5, 1997

[54] GYROPLANE

[75] Inventor: Jay W. Carter, Jr., Burkburnett, Tex.

[73] Assignee: CarterCopters, L.L.C., Wichita Falls, Tex.

[\*\*] Term: 14 Years

[21] Appl. No.: 45,457

[22] Filed: Oct. 20, 1995

[51] LOC (6) Cl. .... 12-07

[52] U.S. Cl. .... D12/327

[58] Field of Search ..... D12/319, 327, D12/335; 244/17.25, 17.11, 17.19

### [56] References Cited

#### U.S. PATENT DOCUMENTS

- D. 172,712 7/1954 Gebhard ..... D12/335
- D. 178,598 8/1956 Fletcher ..... D12/327

- D. 209,252 11/1967 Foote ..... D12/327
- D. 239,522 4/1976 Wheatley ..... D12/335
- 5,301,900 4/1994 Groen et al. .... 244/17.25

Primary Examiner—Kay H. Chin  
Attorney, Agent, or Firm—Robert A. Felsman

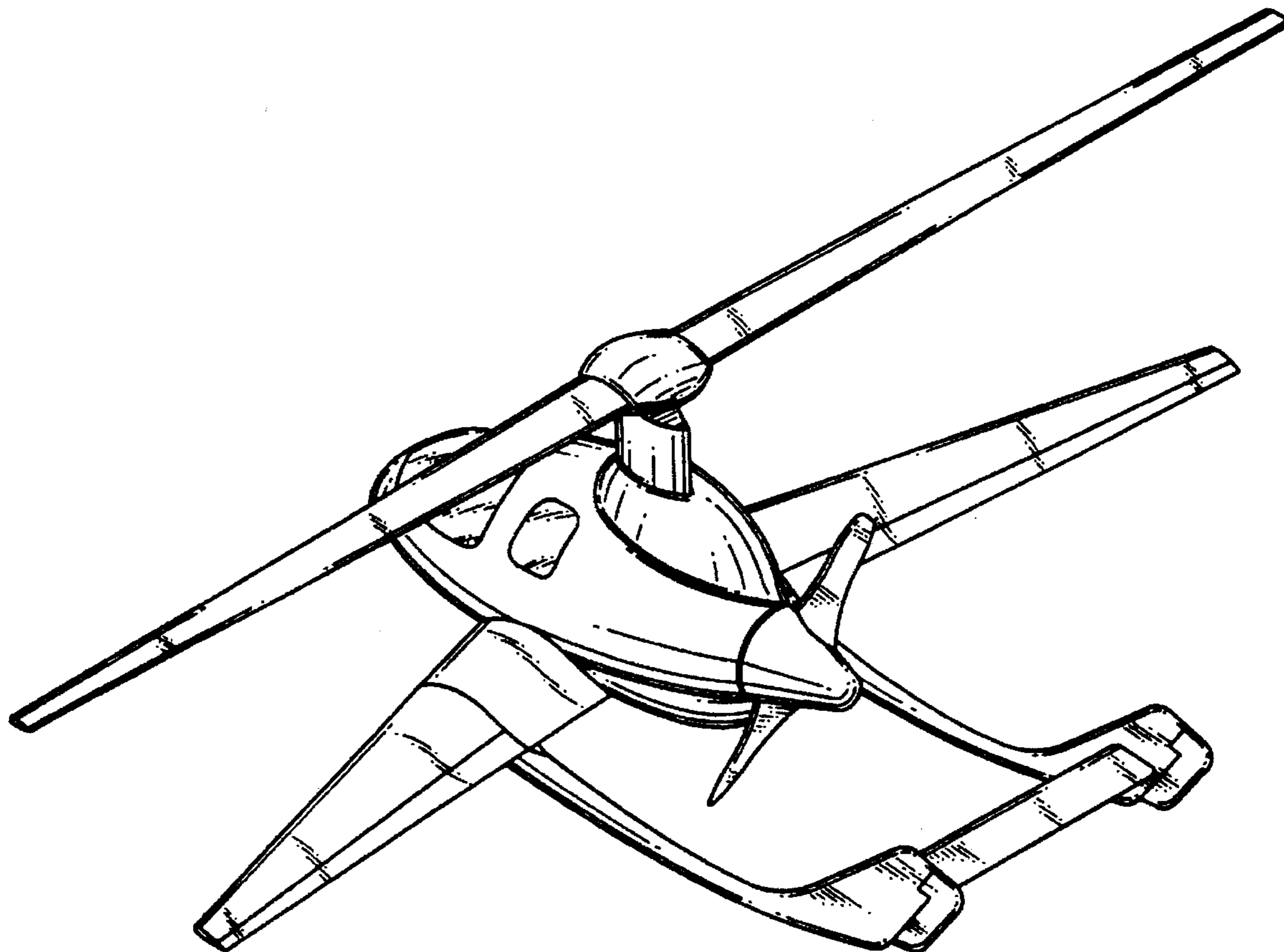
### [57] CLAIM

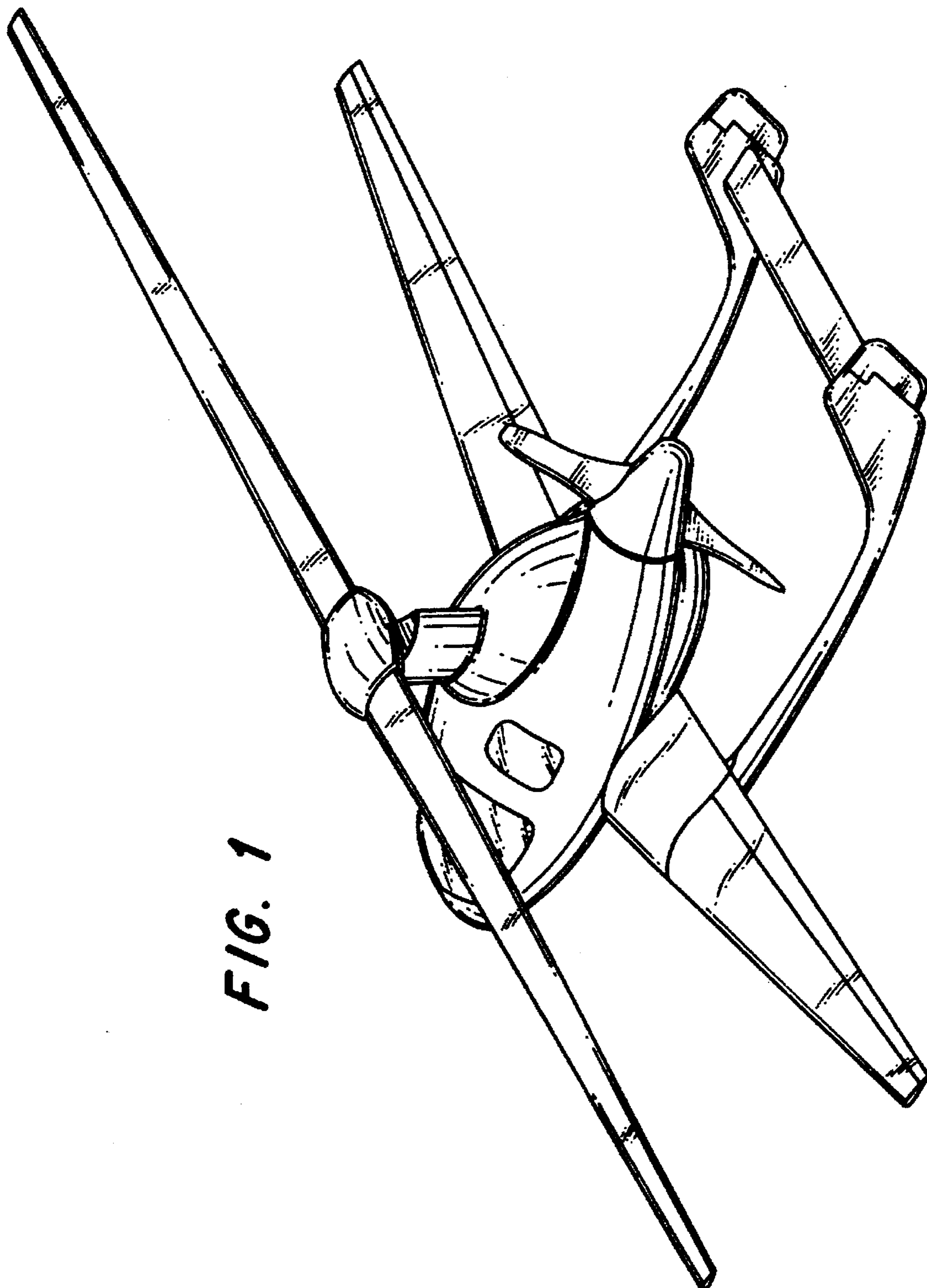
The ornamental design for a gyroplane, as shown and described.

### DESCRIPTION

FIG. 1 is a perspective view of a gyroplane showing my new design;  
 FIG. 2 is a top plan view thereof;  
 FIG. 3 is a bottom plan view thereof;  
 FIG. 4 is a right side elevational view thereof;  
 FIG. 5 is a left side elevational view thereof;  
 FIG. 6 is a front elevational view thereof; and,  
 FIG. 7 is a rear elevational view thereof.

1 Claim, 5 Drawing Sheets





**FIG. 1**

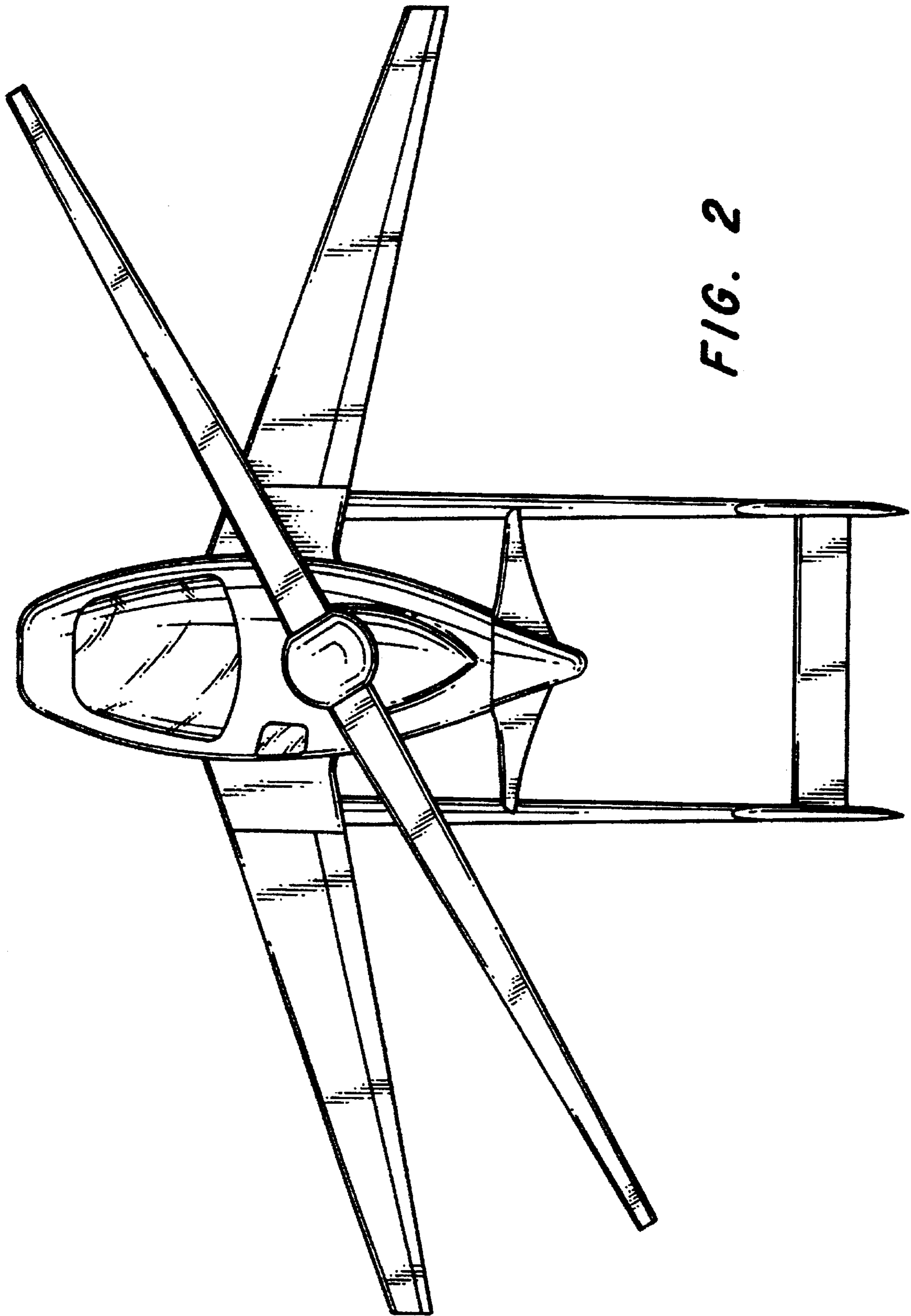
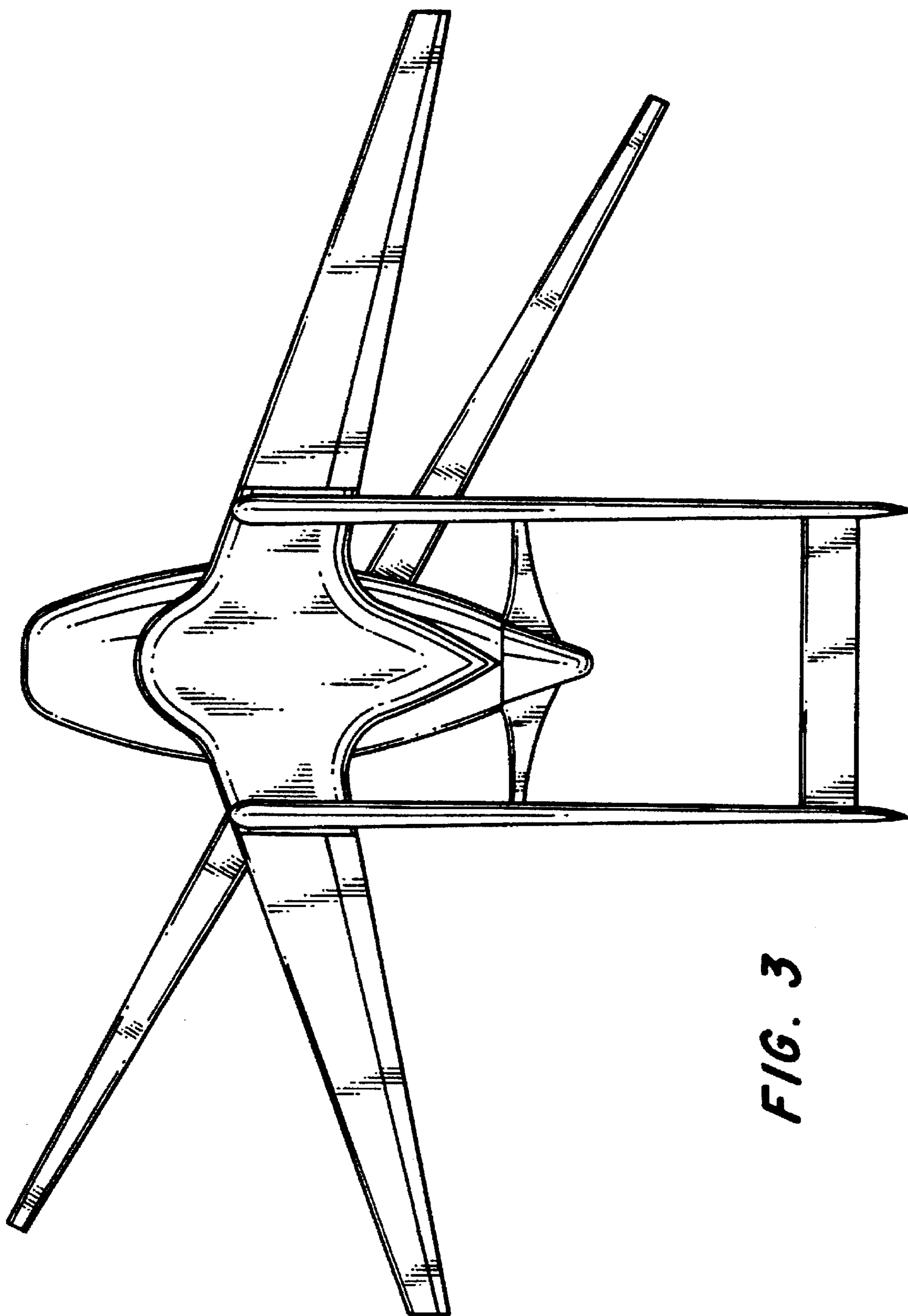
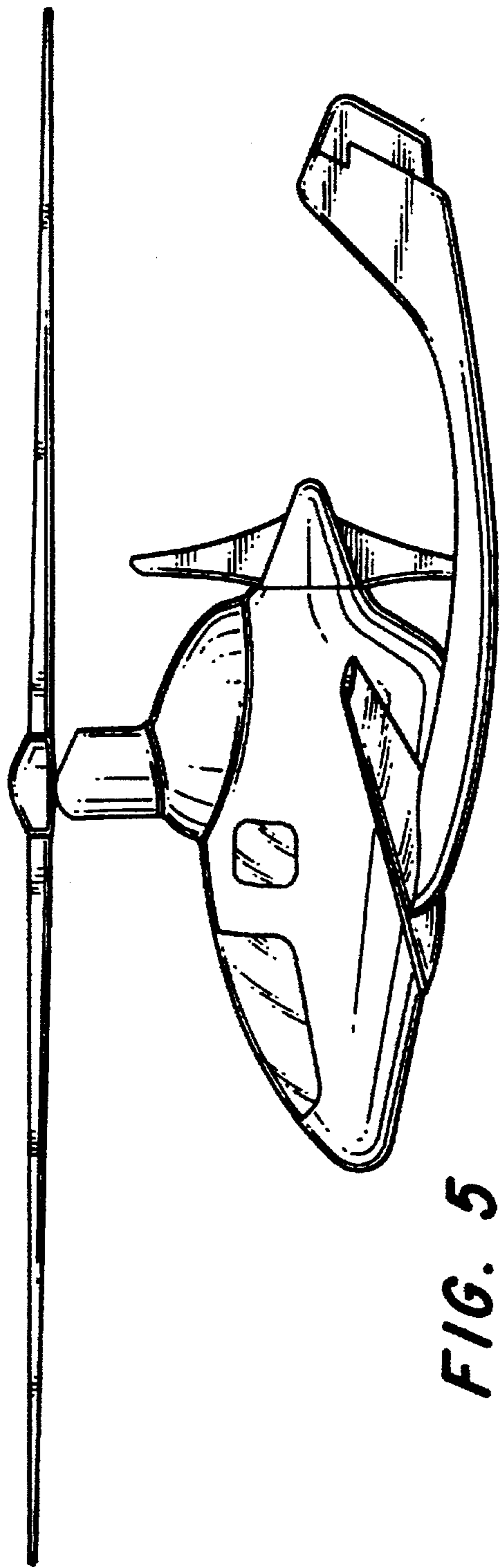


FIG. 2

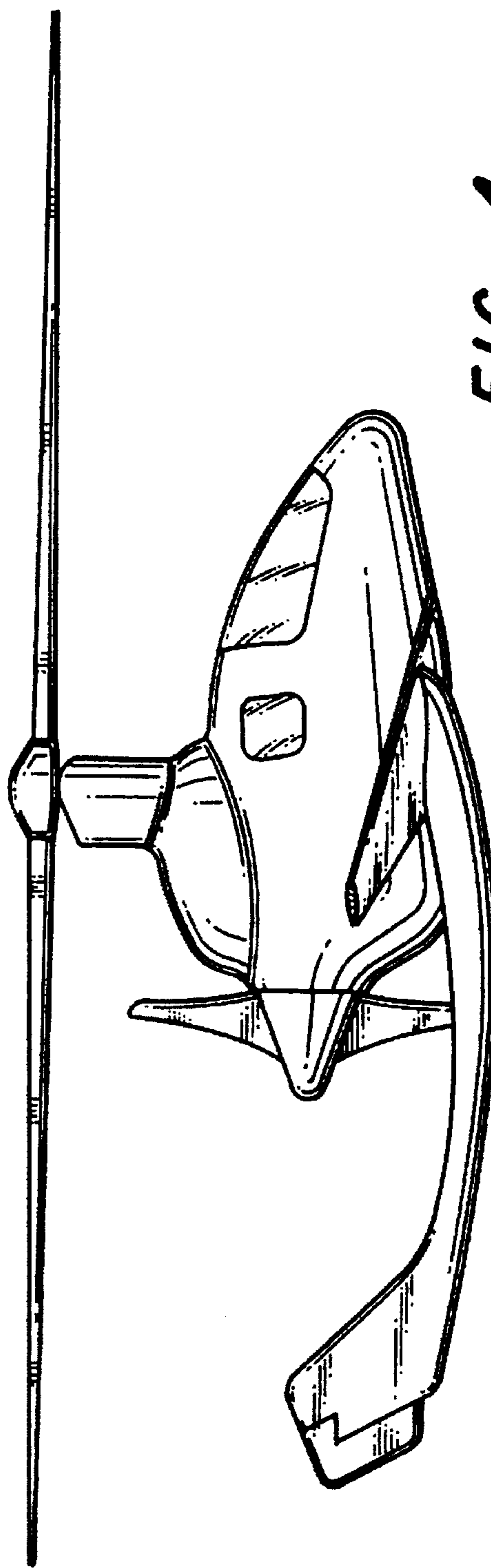


**FIG. 3**

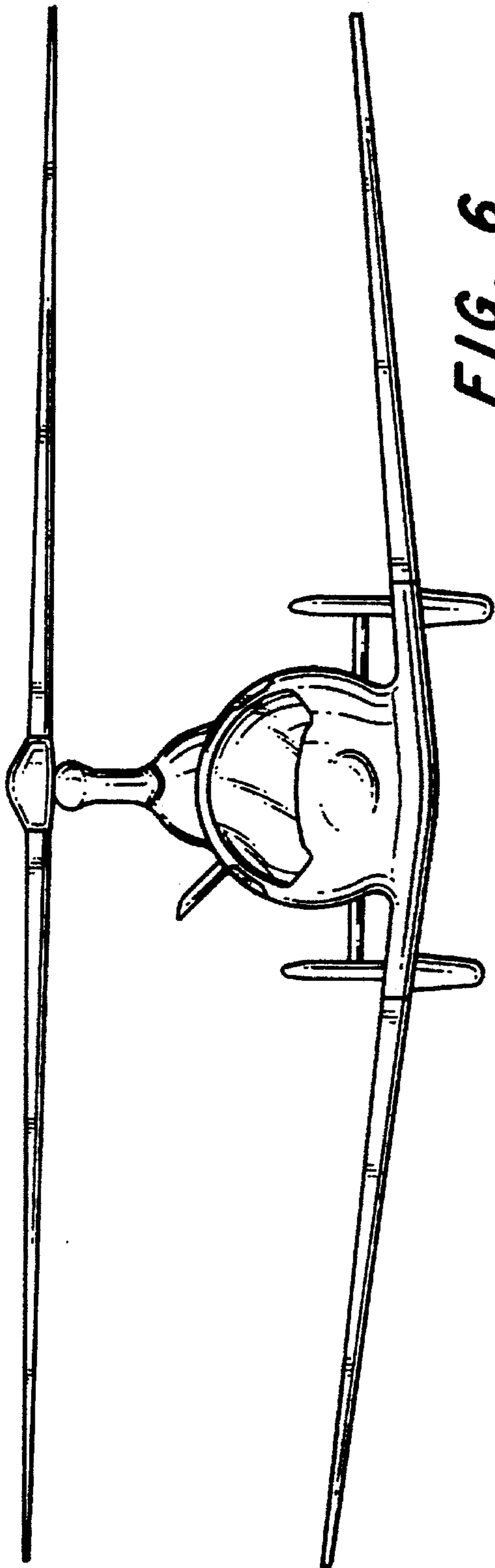




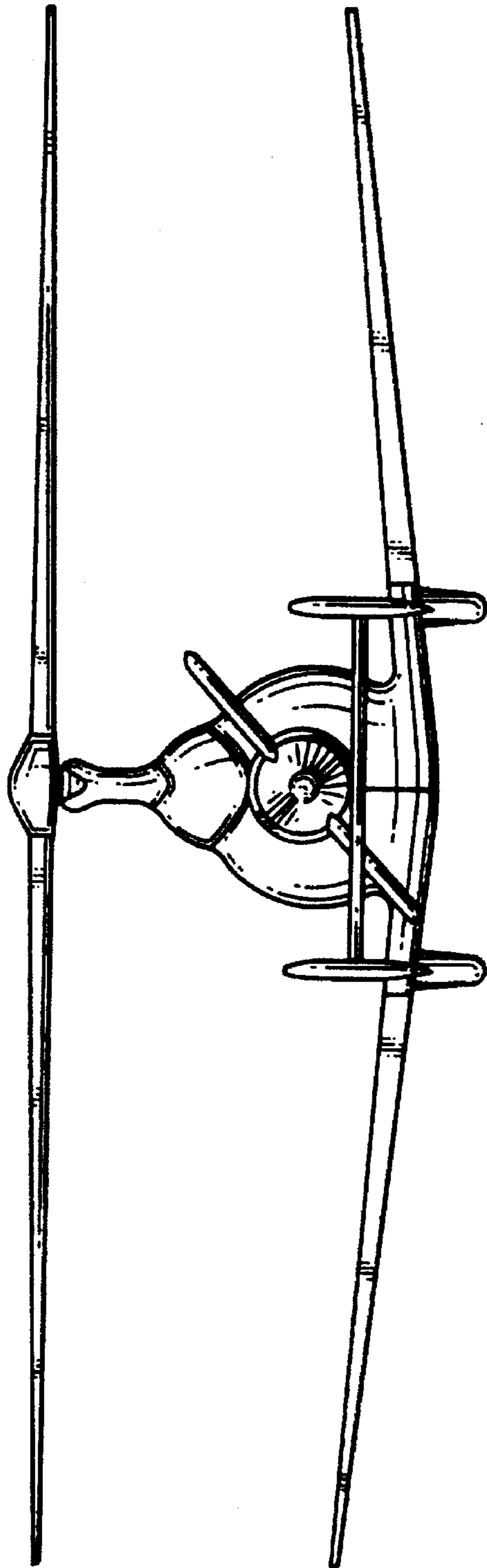
**FIG. 5**



**FIG. 4**



*FIG. 6*



*FIG. 7*