



US00D381951S

United States Patent [19] Hatfield

[11] Patent Number: Des. 381,951

[45] Date of Patent: **Aug. 5, 1997

[54] CARGO CHOCK

[76] Inventor: J. Paul Hatfield, 8501 Bucyrus Ct.,
Unit 101, Manassas, Va. 22110

[**] Term: 14 Years

[21] Appl. No.: 44,855

[22] Filed: Oct. 2, 1995

[51] LOC (6) Cl. 12-06

[52] U.S. Cl. D12/217

[58] Field of Search D12/217; 188/32;
238/14

[56] **References Cited**

U.S. PATENT DOCUMENTS

D. 142,220	8/1945	Lyons	D12/217
D. 298,823	12/1988	Zulter	D12/217
D. 307,575	5/1990	Gano	D12/217
D. 326,254	5/1992	Zialek, Jr. et al.	D12/217
2,797,774	7/1957	Eckhart	188/32
3,664,466	5/1972	Rothersen	188/32

3,993,167	11/1976	Reed	188/32
4,186,823	2/1980	White, Jr.	188/32
4,399,893	8/1983	Switzer	188/32

Primary Examiner—Melody N. Brown
Attorney, Agent, or Firm—Harold H. Dutton, Jr.; Diane F. Liebman

[57] **CLAIM**

The ornamental design for a cargo chock, as shown and described.

DESCRIPTION

FIG. 1 is a perspective view of a cargo chock showing my new design;
FIG. 2 is a side view thereof;
FIG. 3 is a rear view;
FIG. 4 is a front view thereof;
FIG. 5 is a top view thereof; and,
FIG. 6 is a bottom view thereof.
The shading shown in FIG. 6 is intended to show surface texture and not color.

1 Claim, 2 Drawing Sheets

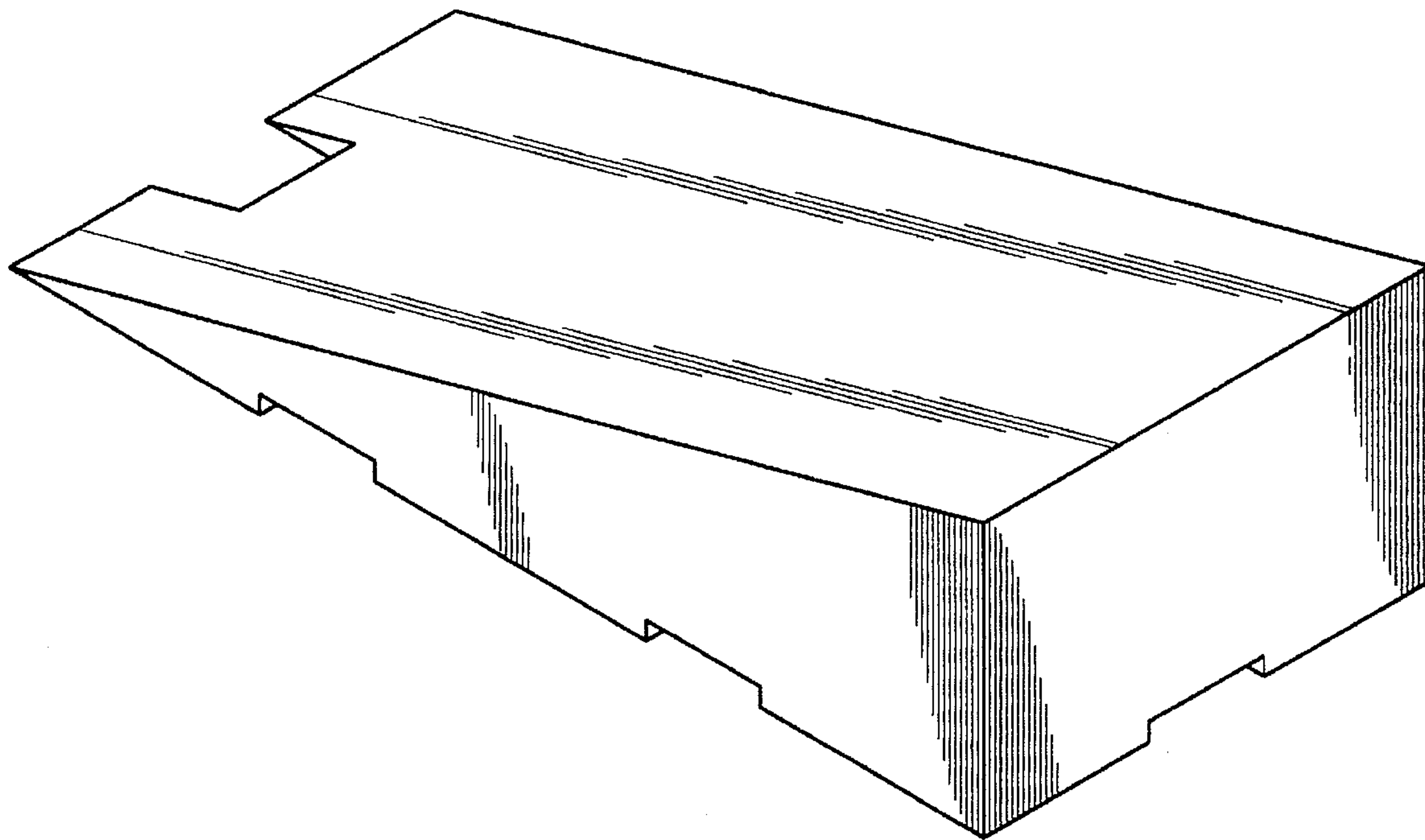


FIG. 1

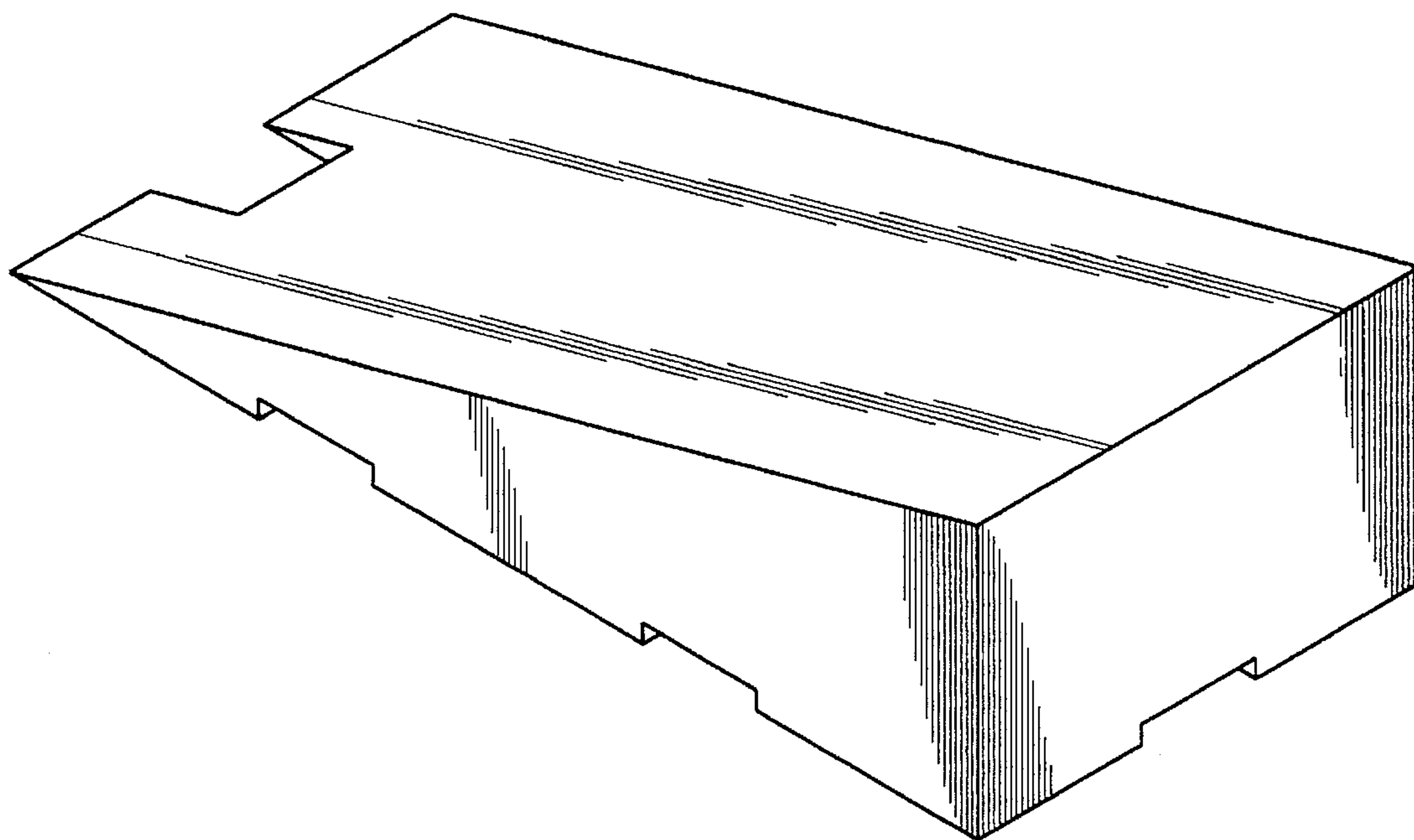


FIG. 3

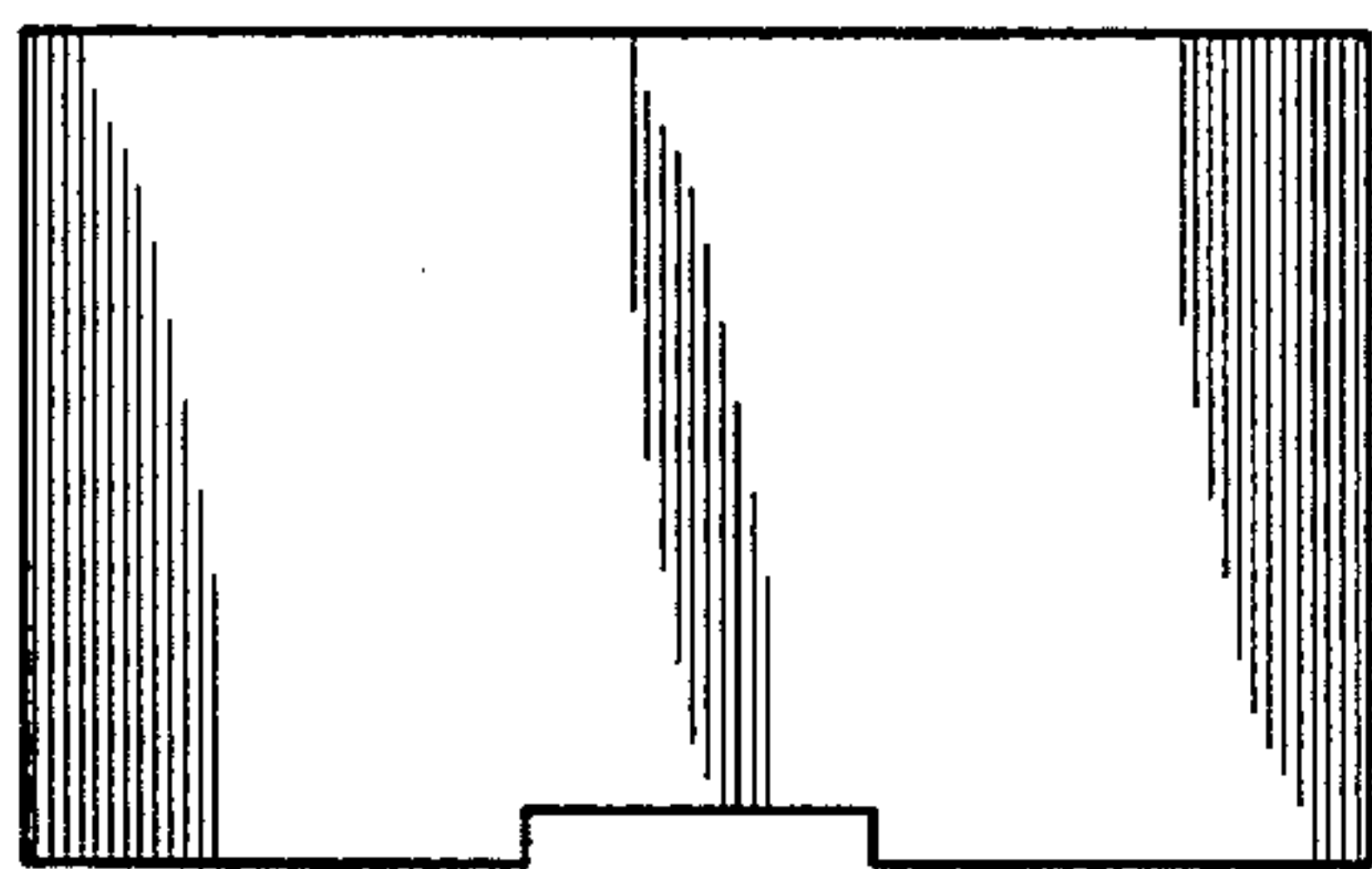


FIG. 4

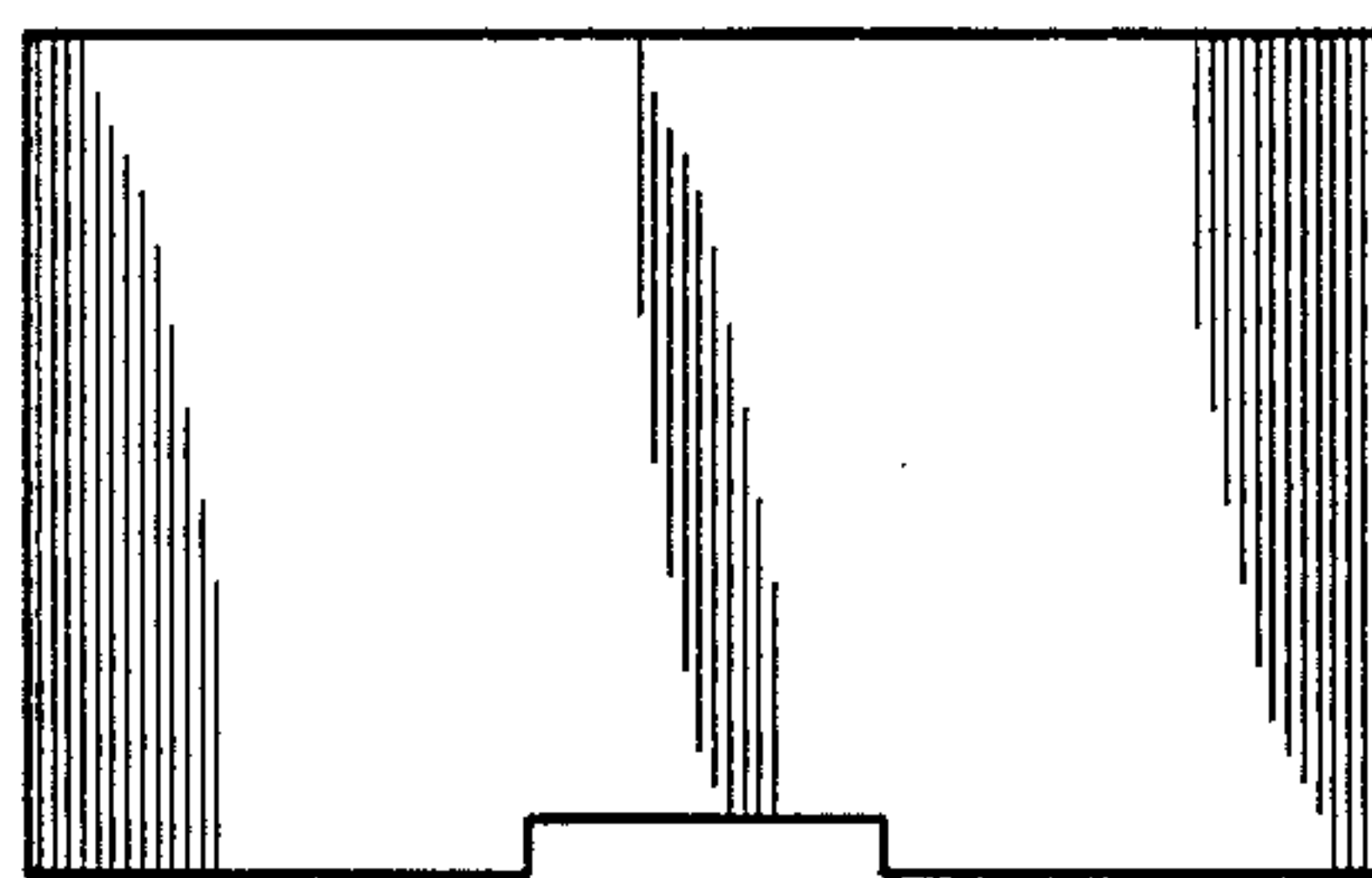


FIG. 2

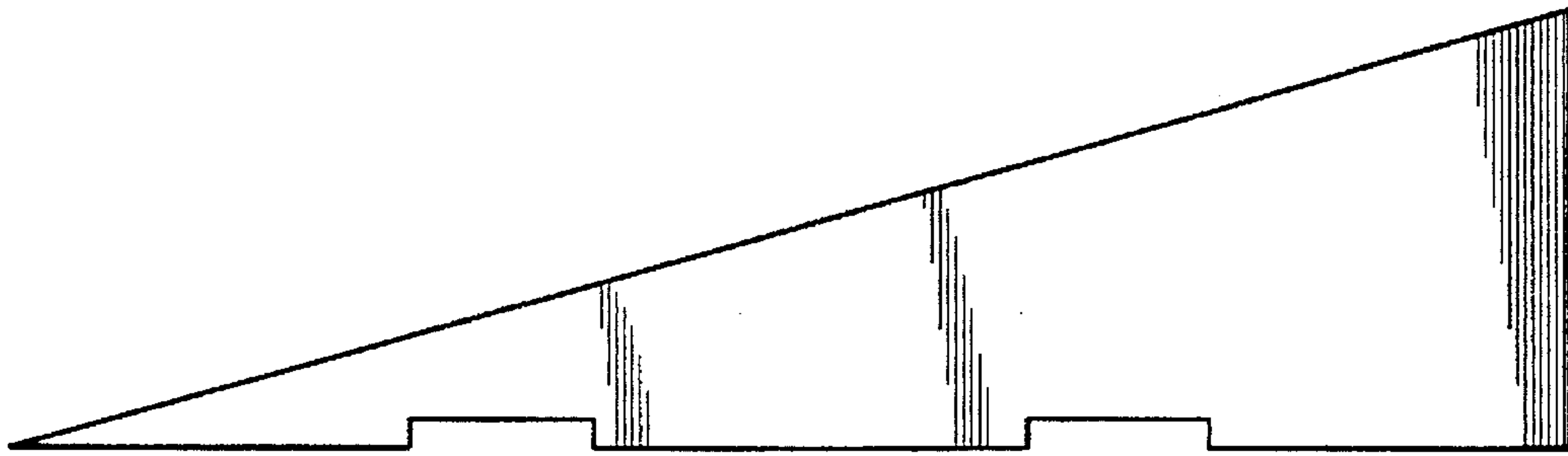


FIG. 5

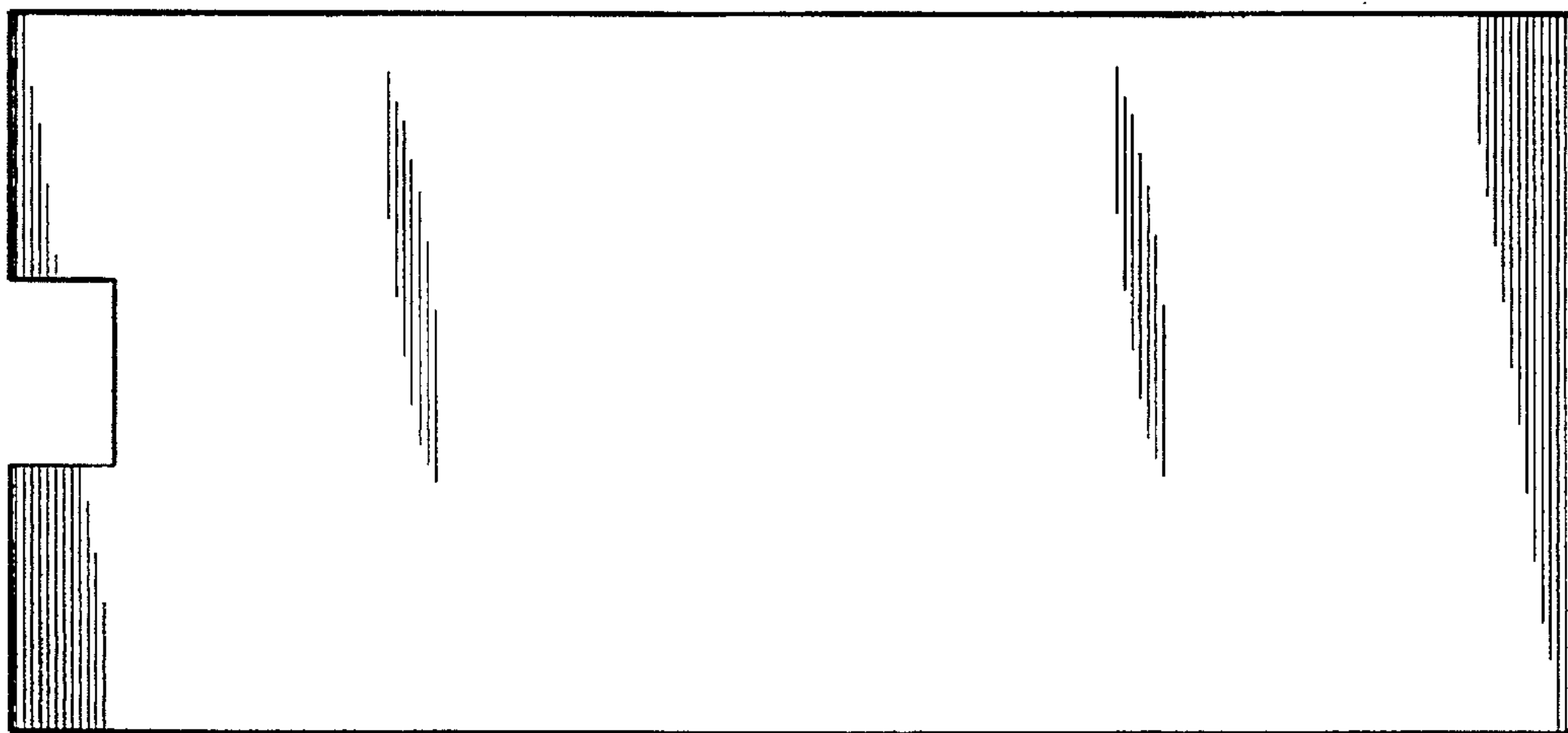


FIG. 6

