



US00D381947S

# United States Patent [19]

Bergh et al.

[11] Patent Number: Des. 381,947

[45] Date of Patent: \*\*Aug. 5, 1997

[54] COMPACT DISC STORAGE DEVICE FOR A VEHICLE VISOR

[75] Inventors: James Allen Bergh, Boulder; Terrence Martin Drew, Superior; Johann Peter Konrad Storz, Boulder, all of Colo.

[73] Assignee: Case Logic, Inc., Longmont, Colo.

[\*\*] Term: 14 Years

[21] Appl. No.: 53,417

[22] Filed: Apr. 22, 1996

[51] LOC (6) Cl. .... 12-16

[52] U.S. Cl. .... D12/191; D6/630; 206/308.3; 206/387.15

[58] Field of Search .... D12/191, 417; D6/629, 630; 224/312; 206/307.1, 308.1, 308.3; 296/97.5, 97.8

### [56] References Cited

#### U.S. PATENT DOCUMENTS

D. 230,101	1/1974	Green	.....	D6/629
D. 294,660	3/1988	Strongwater	.....	D3/40
D. 310,301	9/1990	Burrow	.....	D3/34
D. 343,514	1/1994	Underwood, Jr.	.....	D3/40
D. 354,471	1/1995	Moseley	.....	D12/191
D. 362,159	9/1995	Singh	.....	D6/629
D. 369,777	5/1996	Singh et al.	.....	D12/417
2,707,072	4/1955	Sims	.....	224/42.42
3,016,262	1/1962	Hunt	.....	296/97
3,809,428	5/1974	Cohen	.....	296/97 C
4,651,872	3/1987	Joyce	.....	206/208.3 X
4,781,409	11/1988	Harbison	.....	296/97.6
4,844,311	7/1989	Kalen	.....	224/312
5,195,668	3/1993	Kunes et al.	.....	224/312

5,259,657	11/1993	Arendt et al.	.....	224/312
5,329,947	7/1994	Shikler	.....	132/304
5,379,929	1/1995	Eskandry	.....	224/312
5,402,924	4/1995	Gilson	.....	224/312
5,433,362	7/1995	Battaglia	.....	224/312

### OTHER PUBLICATIONS

"Samsonite Audio Access System"; Photoco Inc., 4347 Cranwood Pkwy, Cleveland, Ohio 44128; 1995 copyright Samsonite Corp.

Primary Examiner—Louis S. Zarfes  
Assistant Examiner—Frank Martinez  
Attorney, Agent, or Firm—Sheridan Ross P.C.

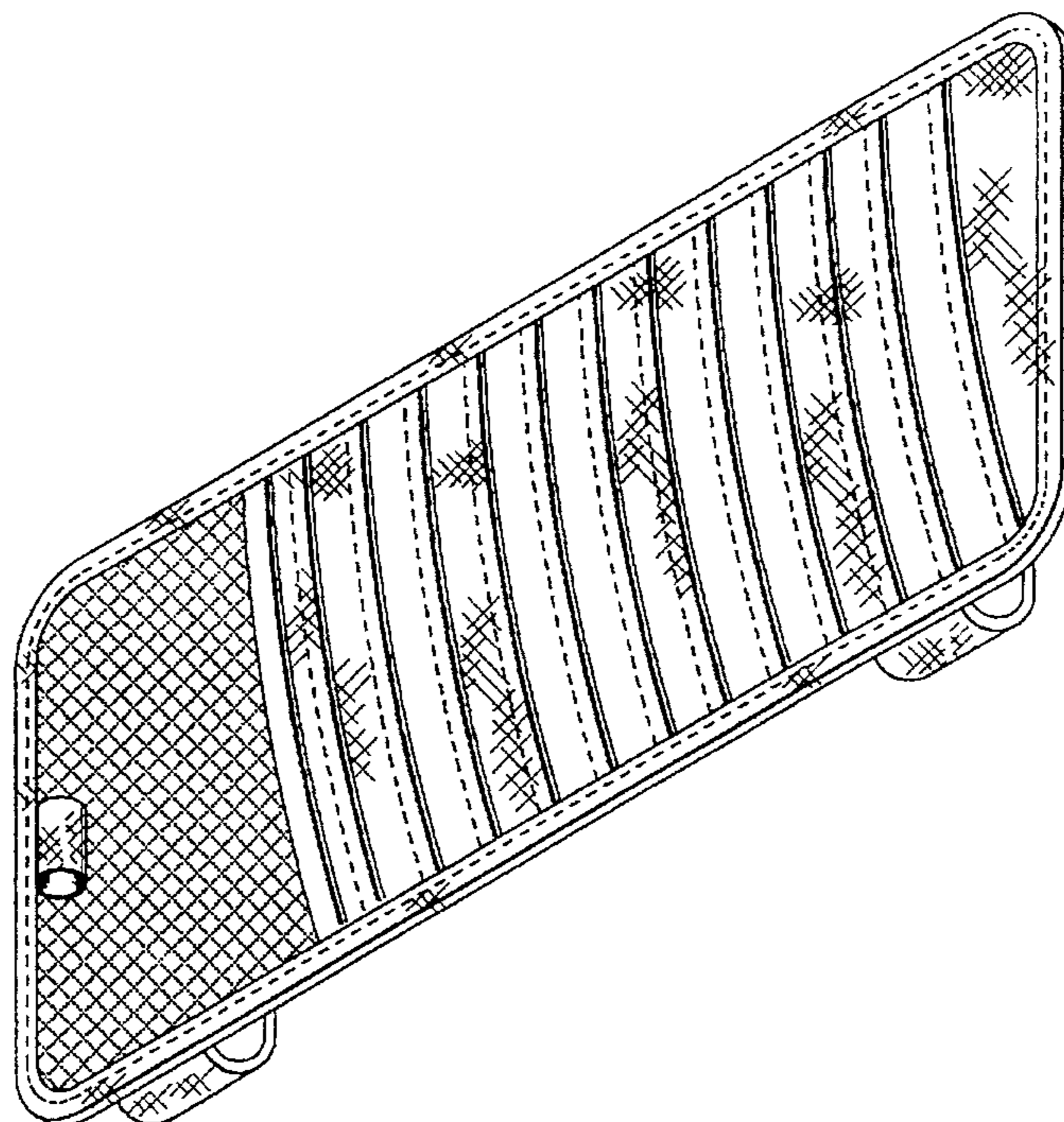
### [57] CLAIM

The ornamental design for a compact disc storage device for a vehicle visor, as shown and described.

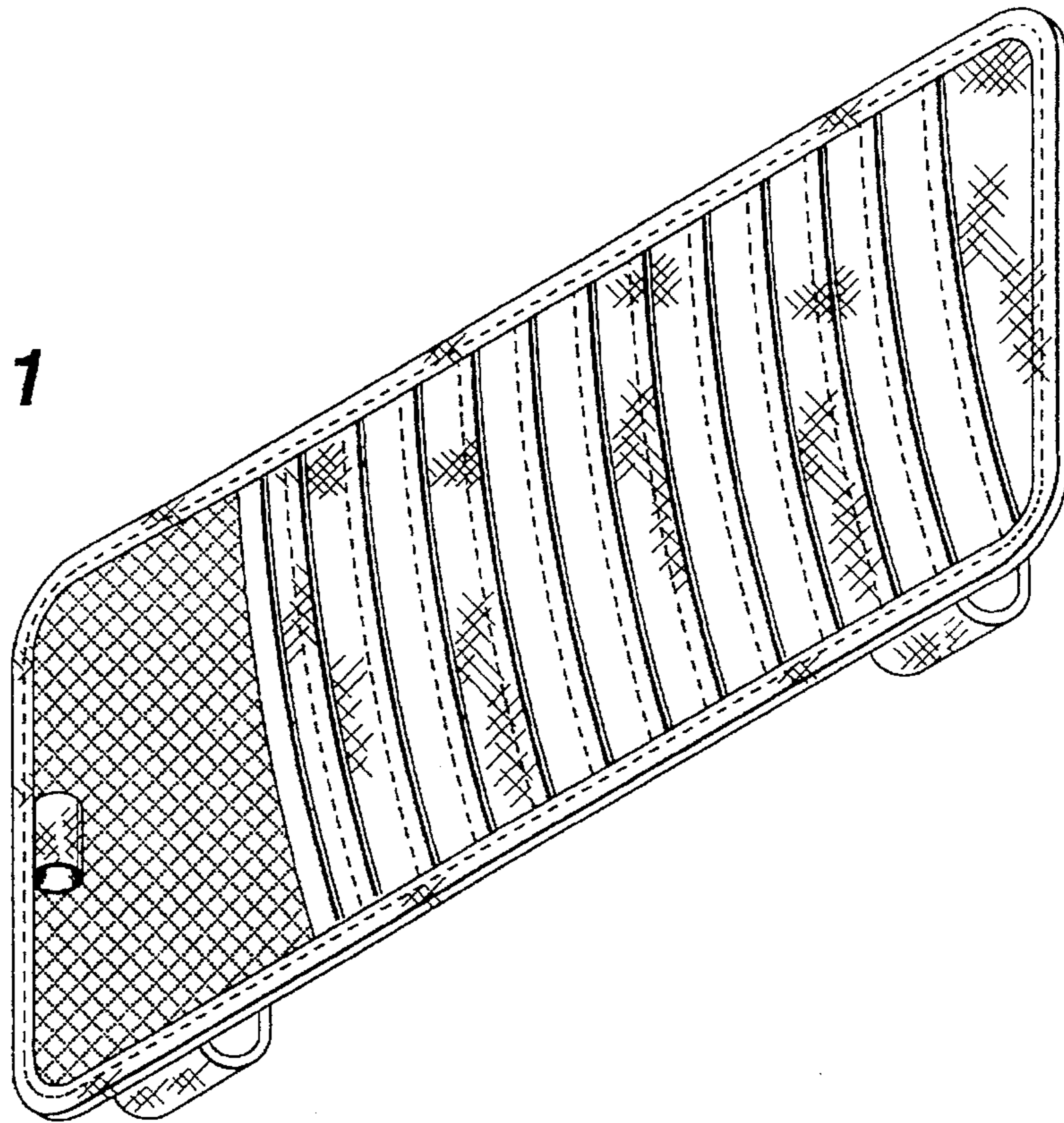
### DESCRIPTION

FIG. 1 is a front right perspective view of a compact disc storage device for a vehicle visor showing our new design; FIG. 2 is a front plan view of the invention of claim 1; FIG. 3 is a top view of the invention of claim 1; FIG. 4 is a rear plan view of the invention of claim 1; FIG. 5 is a bottom view of the invention of claim 1; FIG. 6 is a left side view of the invention of claim 1; FIG. 7 is a right side view of the invention of claim 1; FIG. 8 is a right front perspective view of the invention of claim 1 with environment; and, FIG. 9 is a right front perspective view of the invention of claim 1 with environment showing a pivoted position of use. The broken line showings of an automobile visor, a pen and a key are for illustrative purposes only and form no part of the claimed design.

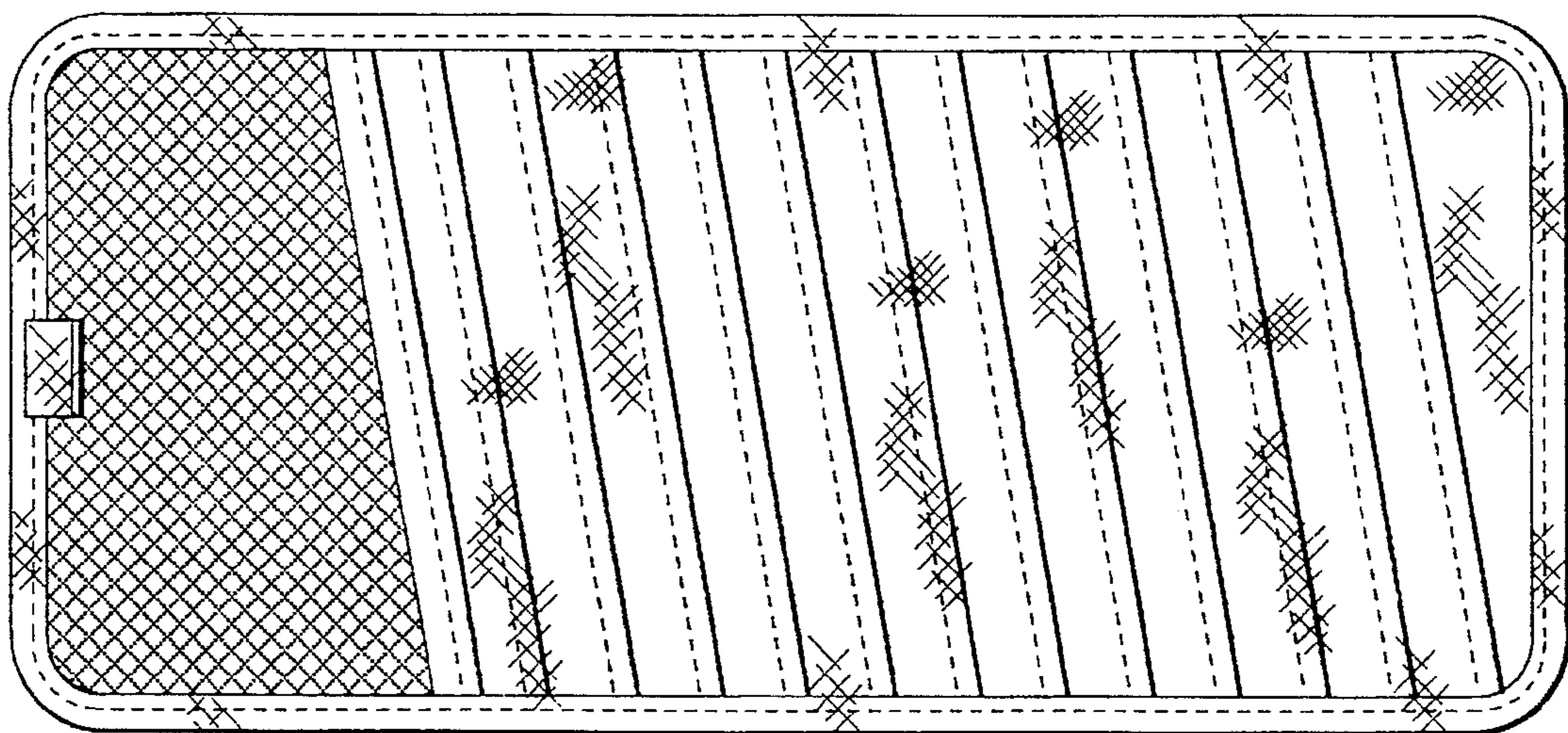
1 Claim, 3 Drawing Sheets

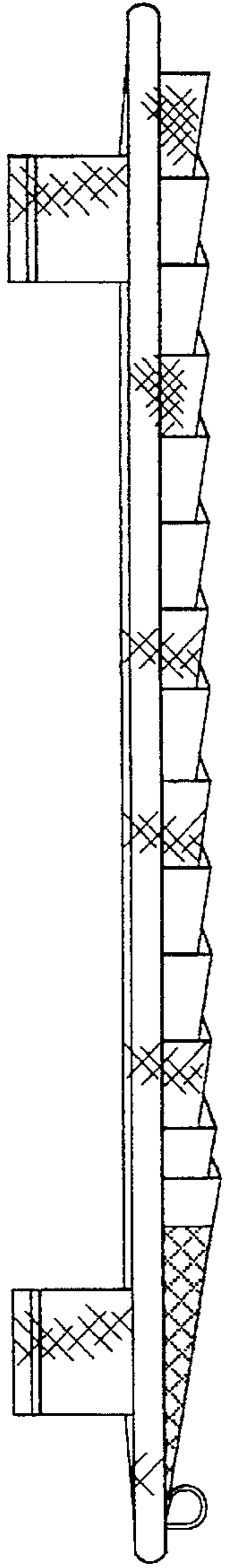


**Fig. 1**

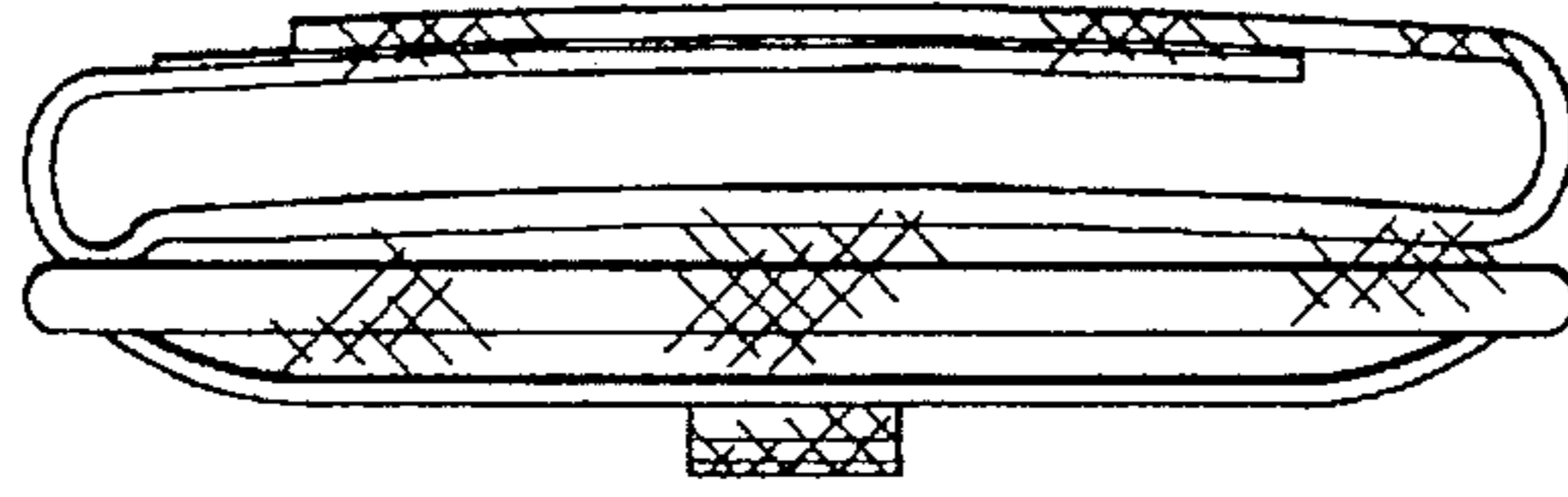


**Fig. 2**

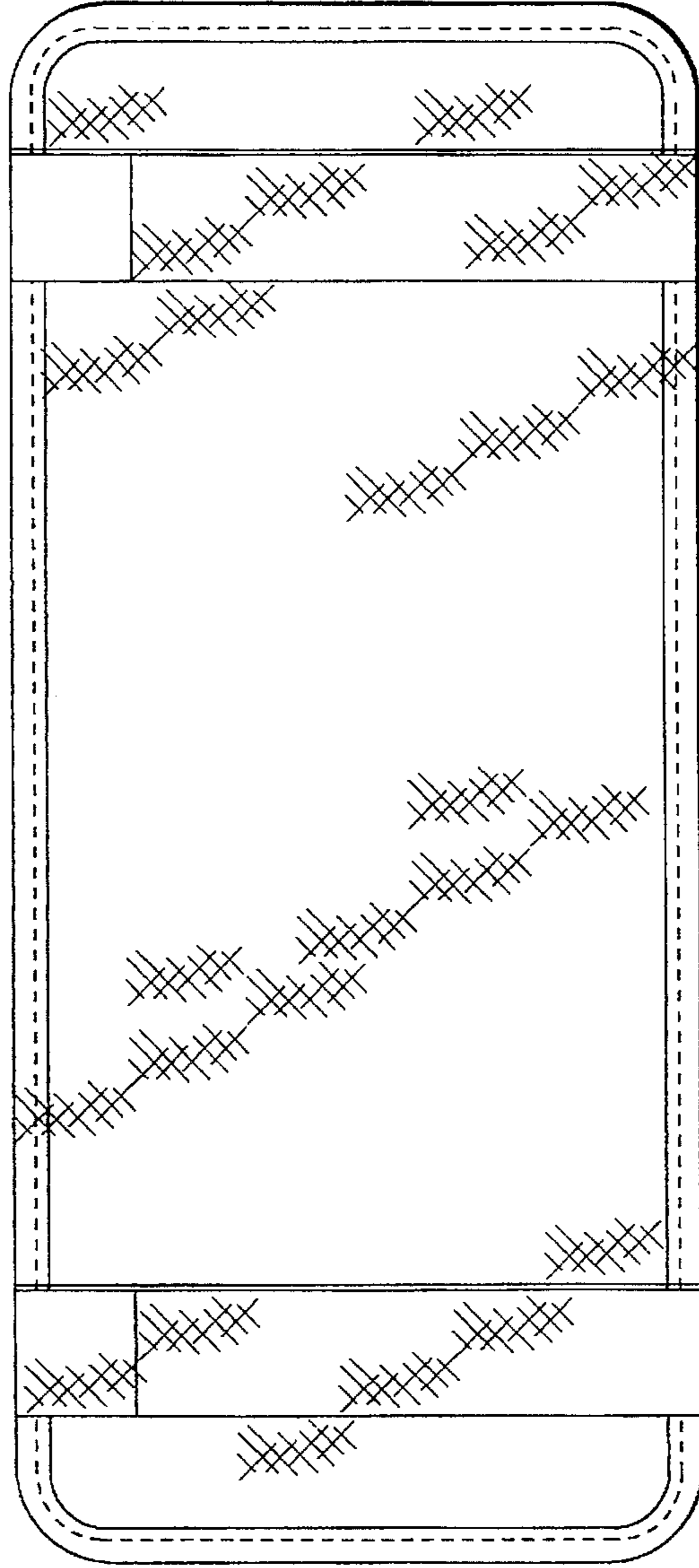




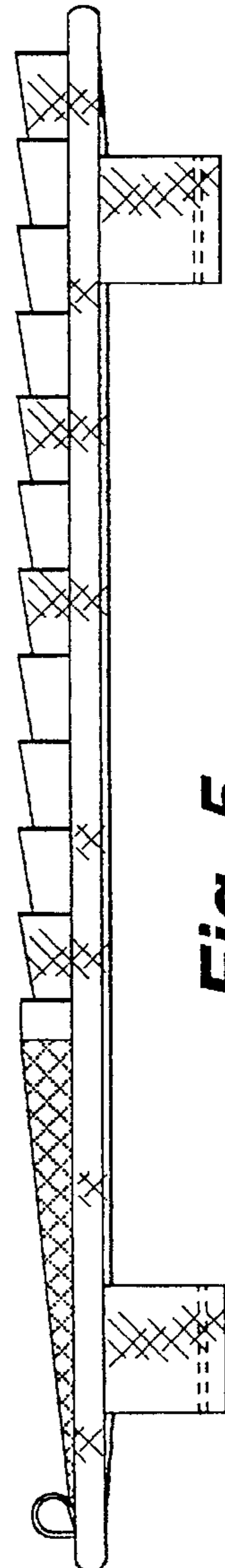
**Fig. 3**



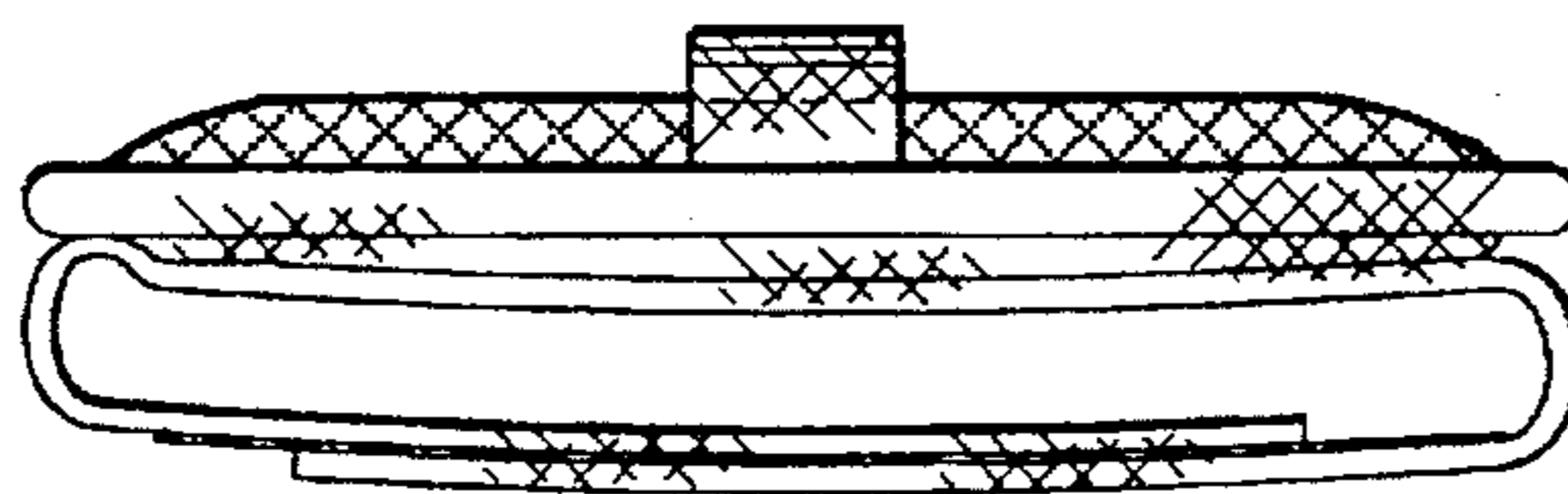
**Fig. 7**



**Fig. 4**

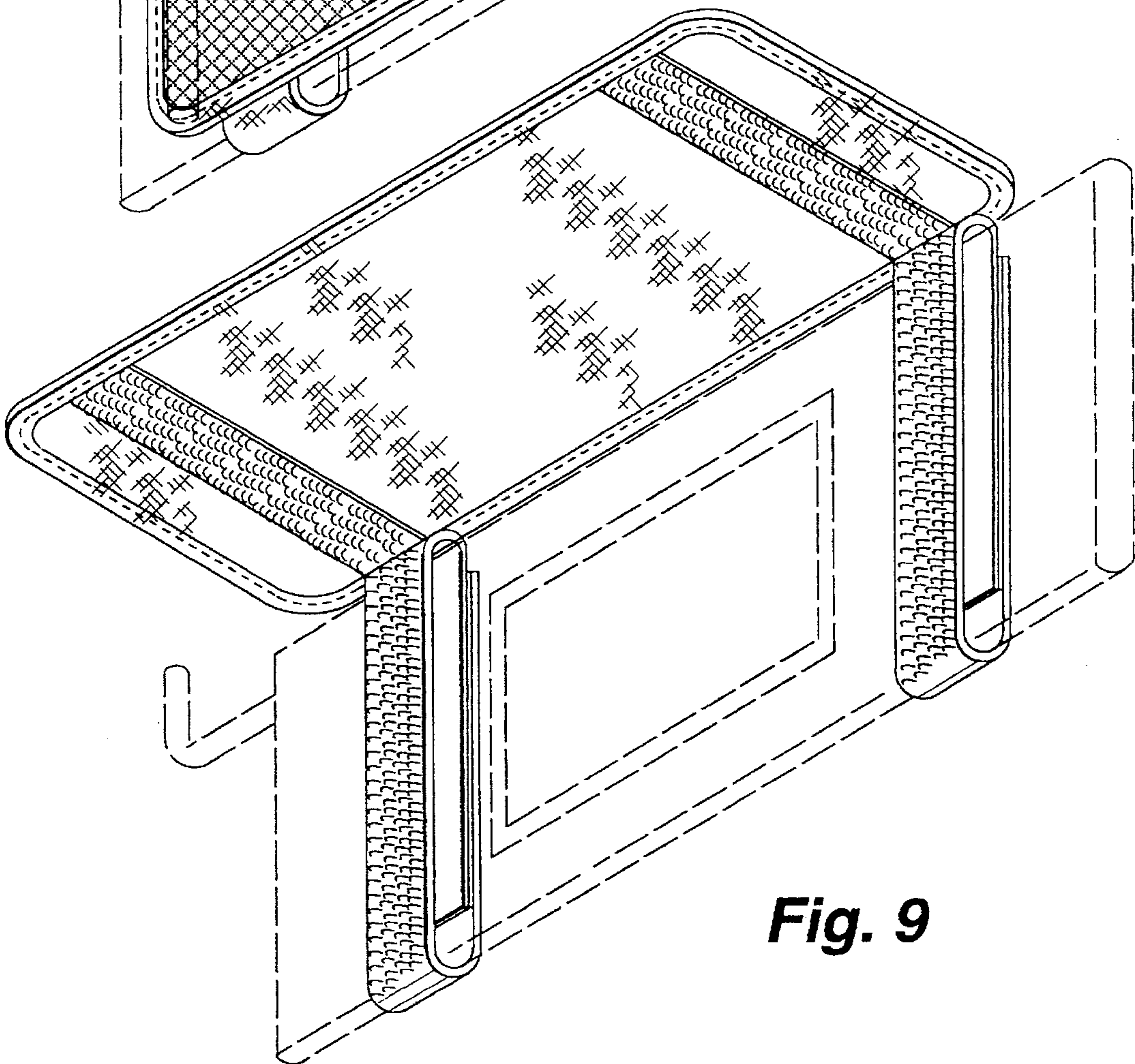
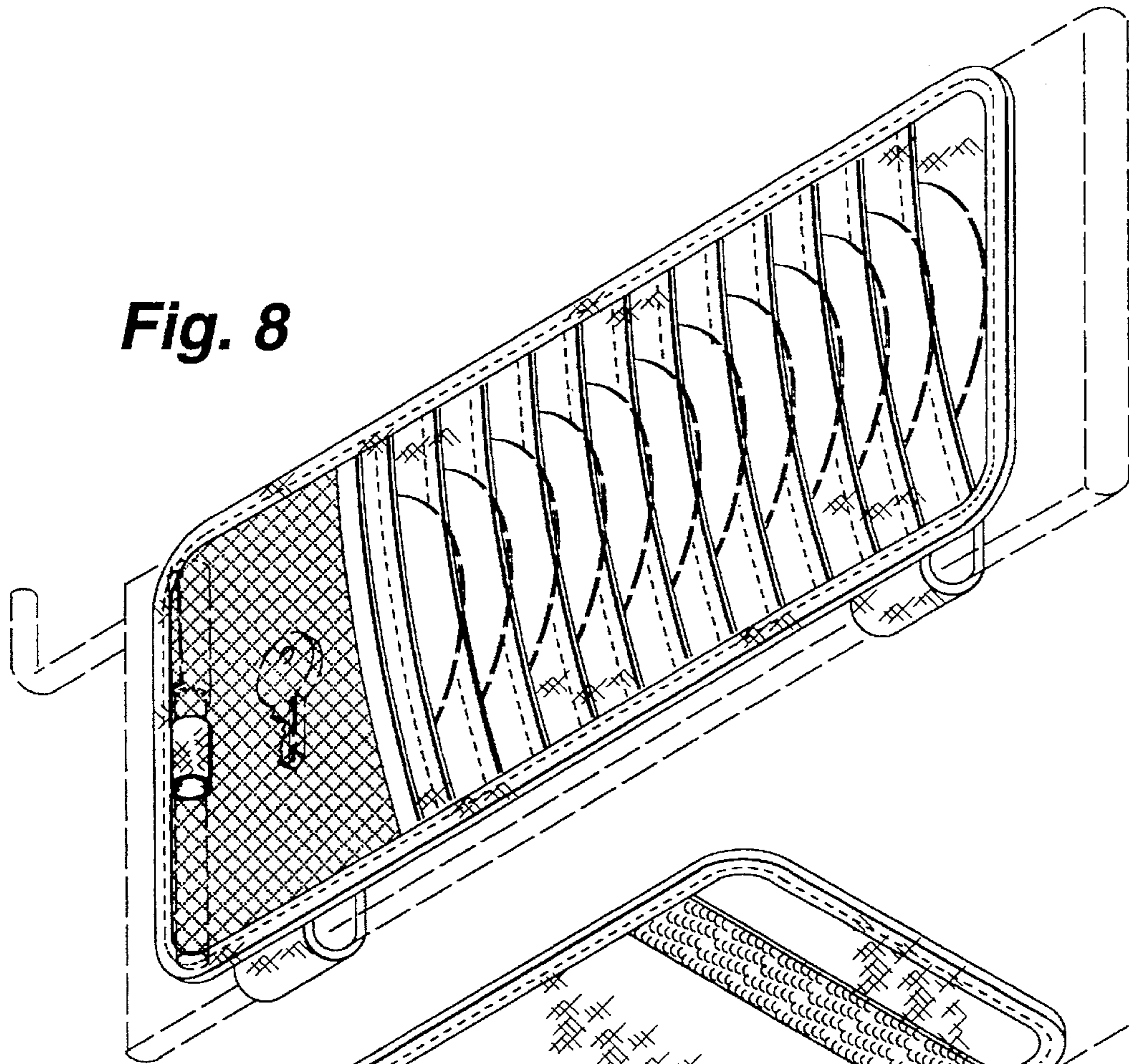


**Fig. 5**



**Fig. 6**

**Fig. 8**



**Fig. 9**