



US00D381941S

United States Patent [19]
Chan

[11] **Patent Number:** **Des. 381,941**
[45] **Date of Patent:** ****Aug. 5, 1997**

[54] **BICYCLE FRAME**

D. 372,212 7/1996 Dietz et al. D12/111
5,356,165 10/1994 Kulhawik et al. 280/326
5,452,910 9/1995 Harris 280/284

[76] Inventor: **Qian Chan**, 13421 Carruth La.,
Houston, Tex. 77083

[**] Term: **14 Years**

Primary Examiner—Melody N. Brown
Attorney, Agent, or Firm—Kenneth A. Roddy

[21] Appl. No.: **54,569**

[57] **CLAIM**

[22] Filed: **May 15, 1996**

The ornamental design for a bicycle frame, as shown and described.

Related U.S. Application Data

DESCRIPTION

[62] Division of Ser. No. 48,648, Dec. 29, 1995 .

[51] **LOC (6) Cl.** **12-11**

[52] **U.S. Cl.** **D12/111**

[58] **Field of Search** D12/111; 280/281.1,
280/288.1-288.3, 276, 279

FIG. 1 is a side elevation view of a bicycle frame showing my new design;

FIG. 2 is a perspective view thereof shown from the top, rear and one side; and,

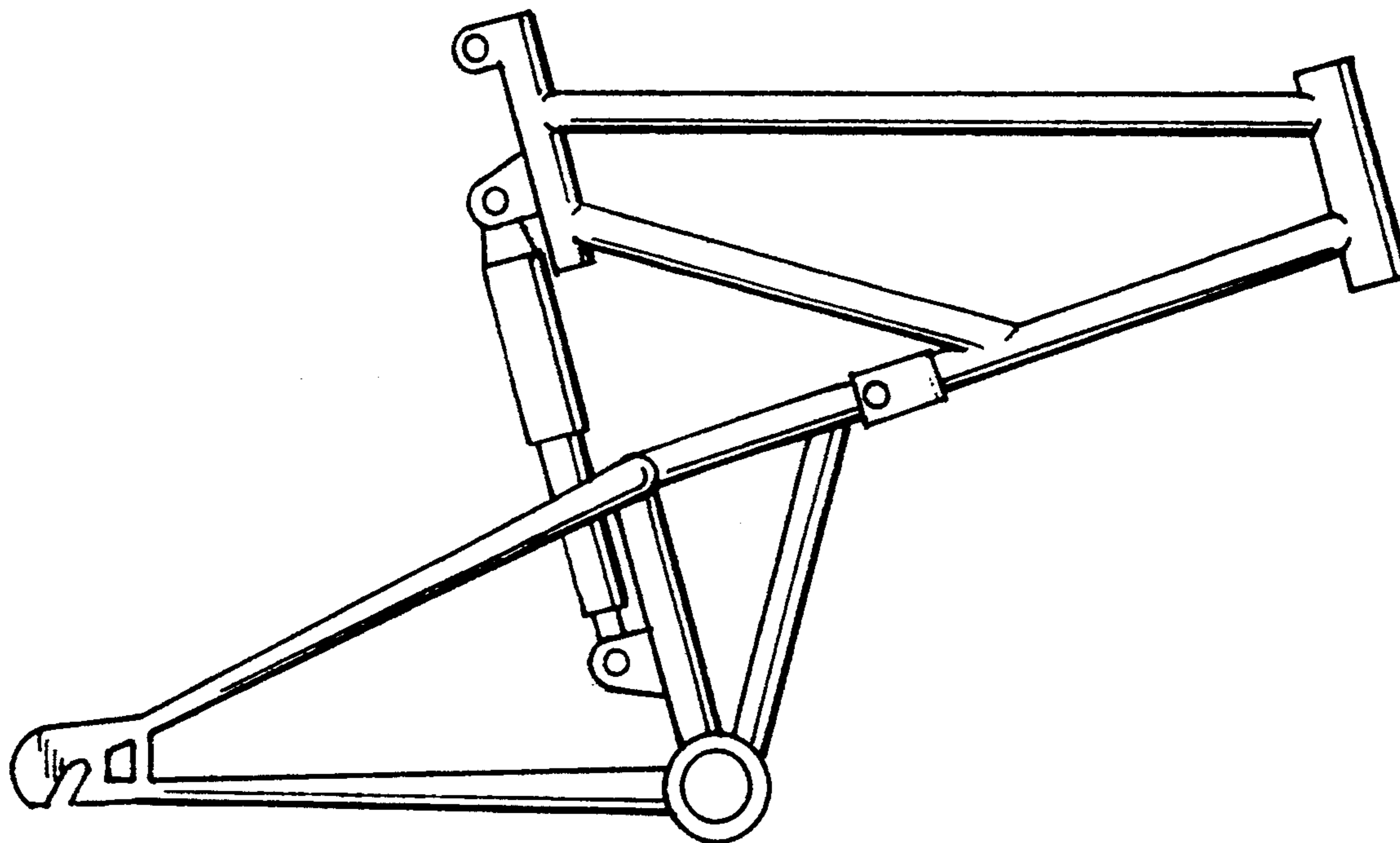
FIG. 3 is a perspective view thereof shown from the bottom, front, and same side as FIG. 2, the opposite side being a mirror image of that shown in FIGS. 1-3.

[56] **References Cited**

U.S. PATENT DOCUMENTS

D. 326,630 6/1992 Tan D12/111

1 Claim, 1 Drawing Sheet



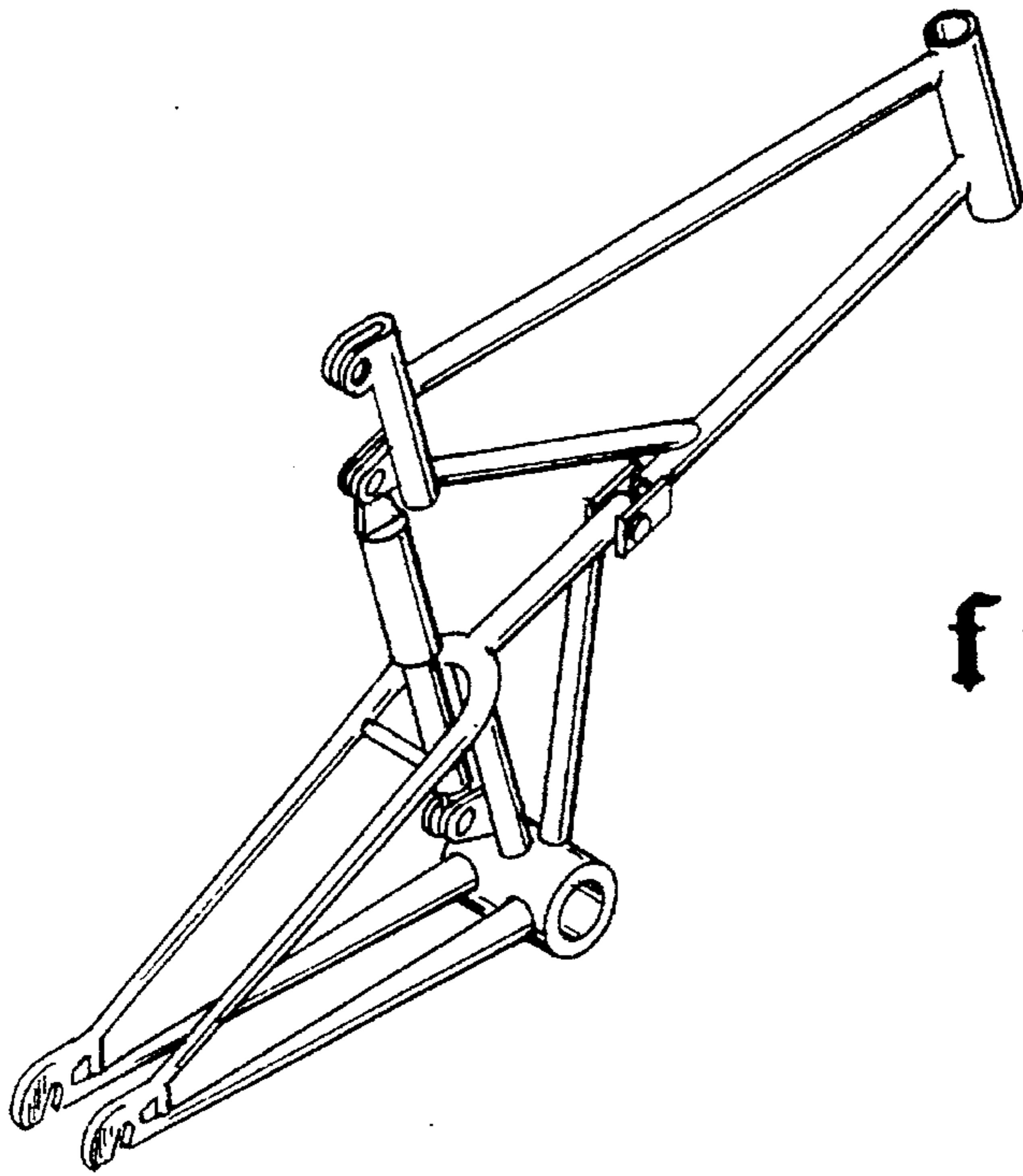


fig. 2

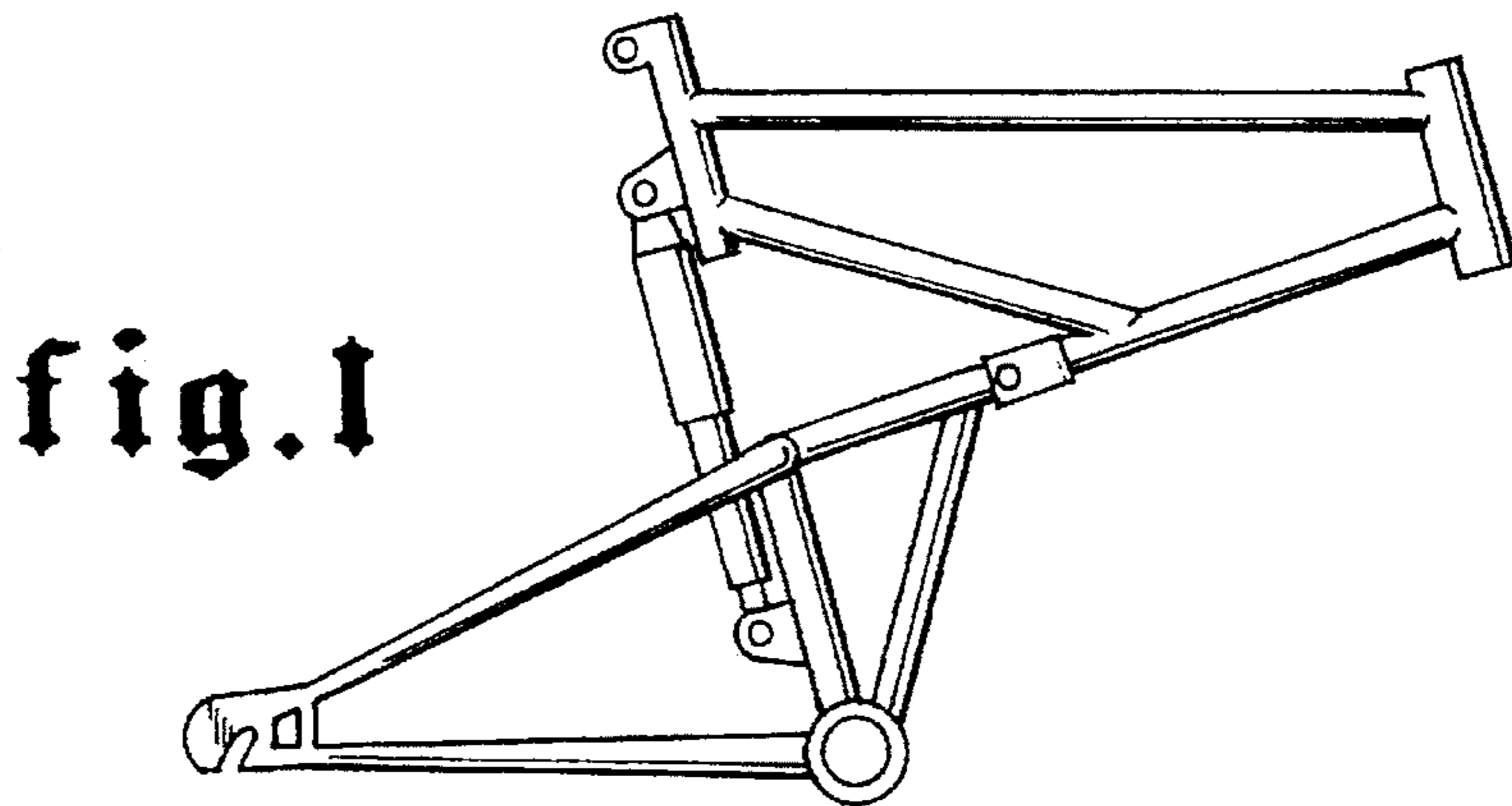


fig. 1

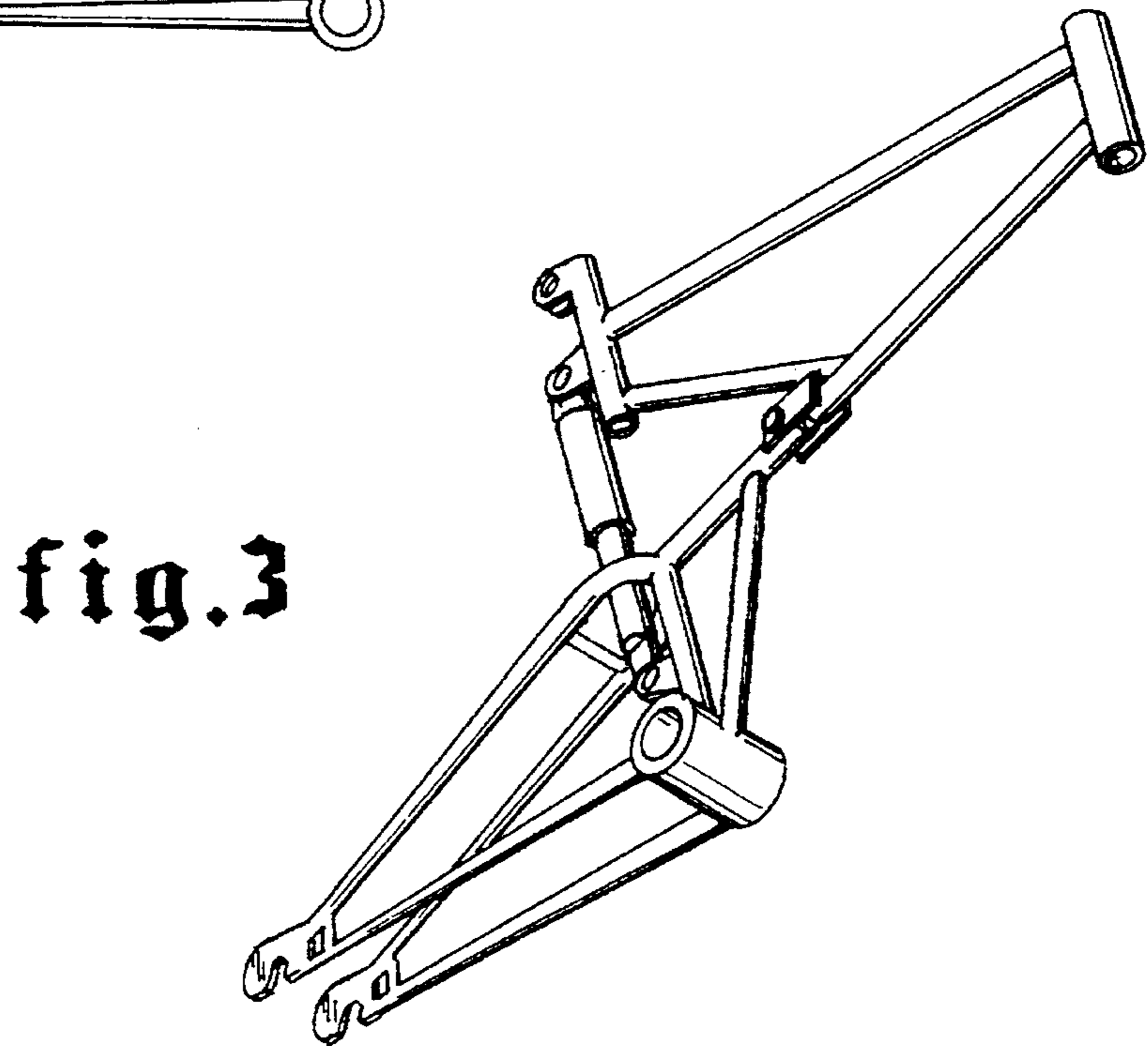


fig. 3