



US00D381938S

# United States Patent [19]

Grossman et al.

[11] Patent Number: **Des. 381,938**

[45] Date of Patent: **\*\*Aug. 5, 1997**

[54] **TACTICAL AIRCRAFT DECOY, CONJUGAL TANDEM DESIGN**

[75] Inventors: **Stephen P. Grossman**, El Segundo;  
**Barnaby S. Wainfan**, Long Beach,  
both of Calif.

[73] Assignee: **Northrup Grumman Corporation**,  
Los Angeles, Calif.

[\*\*] Term: **14 Years**

[21] Appl. No.: **43,312**

[22] Filed: **Aug. 31, 1995**

[51] LOC (6) Cl. .... **12-07**

[52] U.S. Cl. .... **D12/16.1; D12/319**

[58] Field of Search ..... **D12/319-345,**  
**D12/16.1; 244/2, 3.1, 118.2, 137.4**

[56] **References Cited**

**U.S. PATENT DOCUMENTS**

- D. 198,881 8/1964 King et al. .
- D. 203,902 2/1966 Raymes .

- D. 220,983 6/1971 Webb et al. .
- D. 220,985 6/1971 Webb et al. .
- 5,494,239 2/1996 Giacomel ..... 244/3.1

**OTHER PUBLICATIONS**

Popular Science, Jul. 1986, p. 37, Aerospace plane.

*Primary Examiner*—Kay H. Chin

*Attorney, Agent, or Firm*—Terry J. Anderson; Karl J. Hoch,  
Jr.

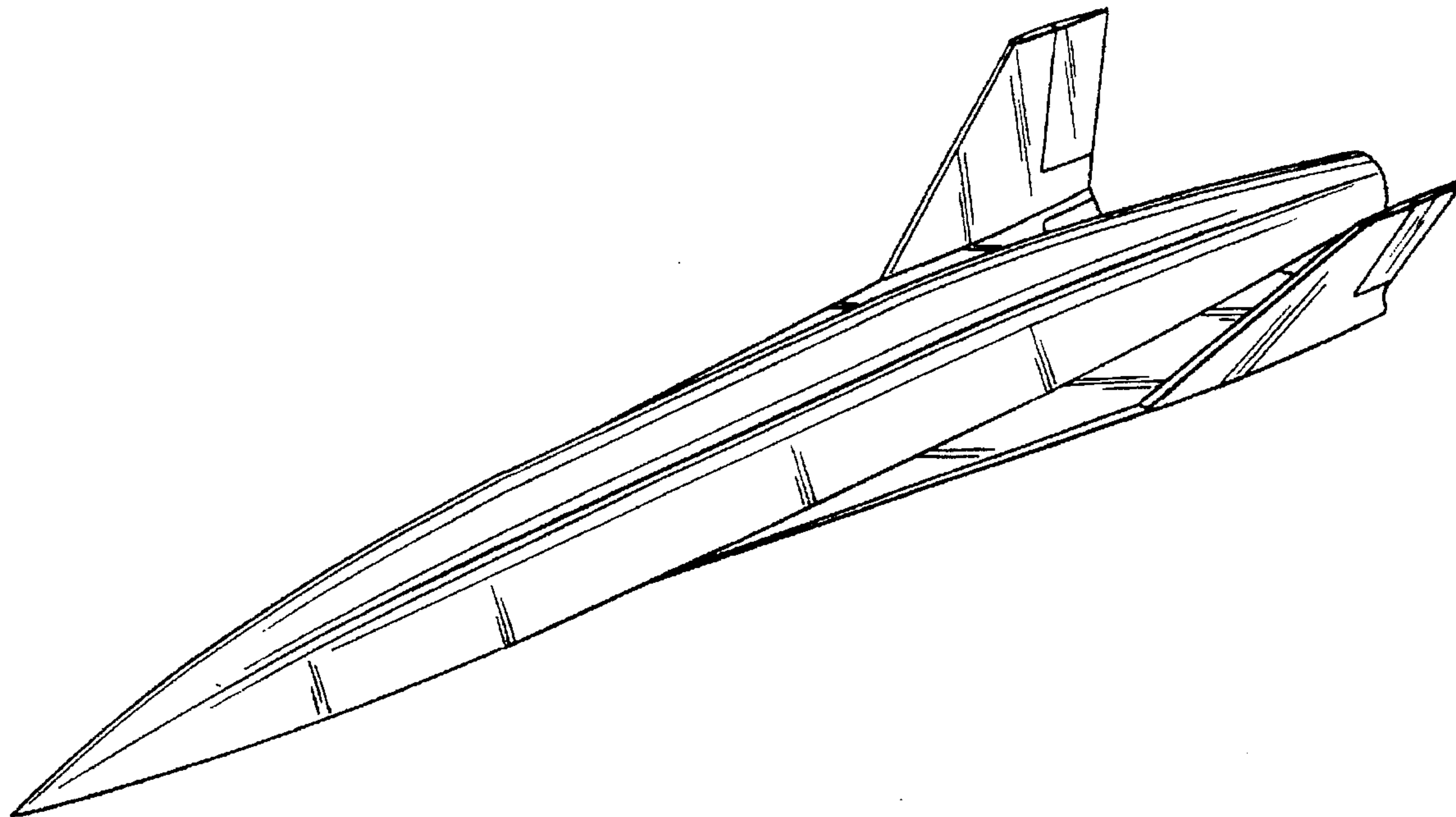
[57] **CLAIM**

The ornamental design for a tactical aircraft decoy, conjugal tandem design, as shown and described.

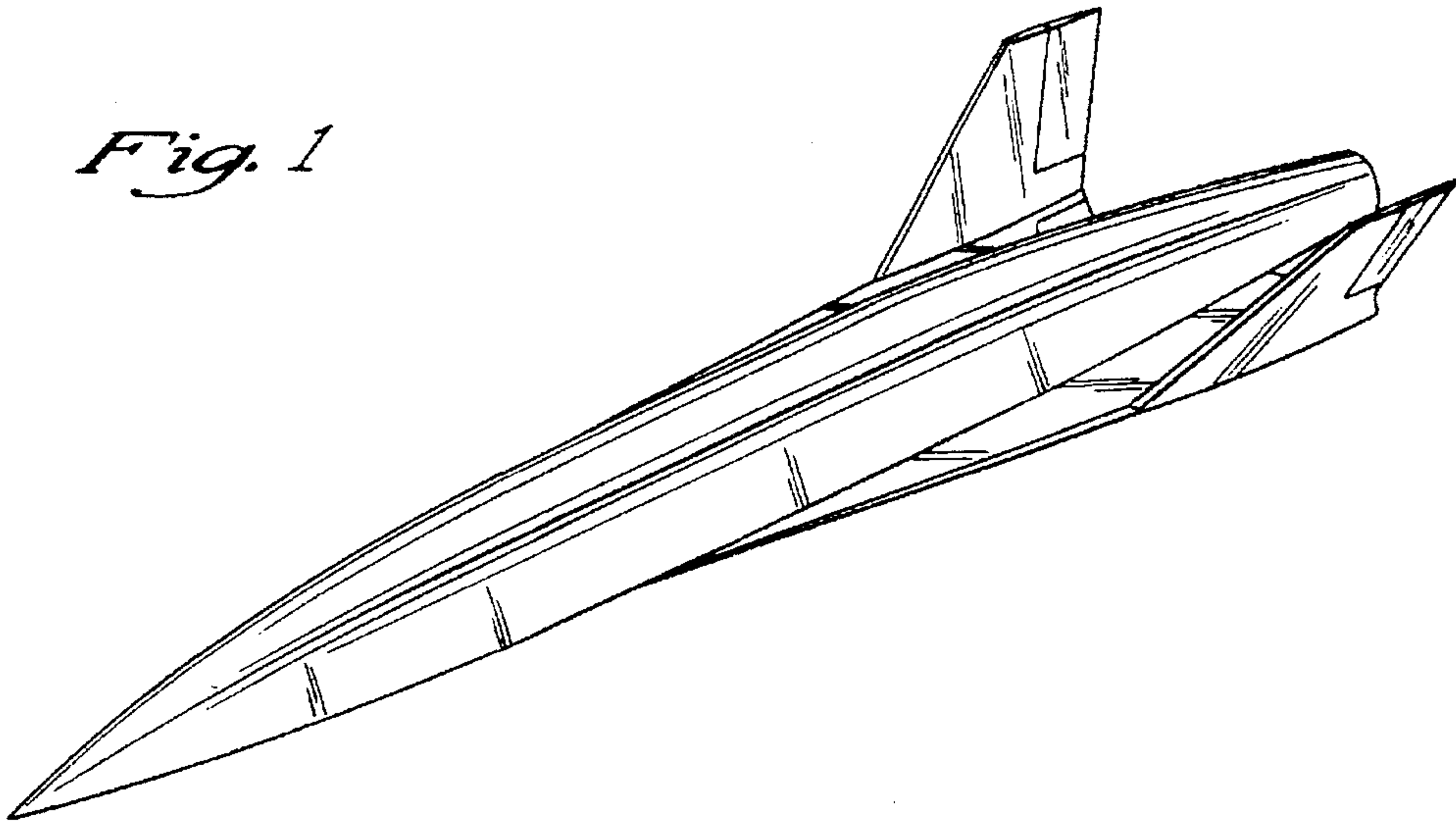
**DESCRIPTION**

FIG. 1 is a front perspective view of the invention;  
FIG. 2 is a side view of the invention;  
FIG. 3 is a top view of the invention;  
FIG. 4 is a bottom view of the invention;  
FIG. 5 is a front end view of the invention; and,  
FIG. 6 is a rear end view of the invention.

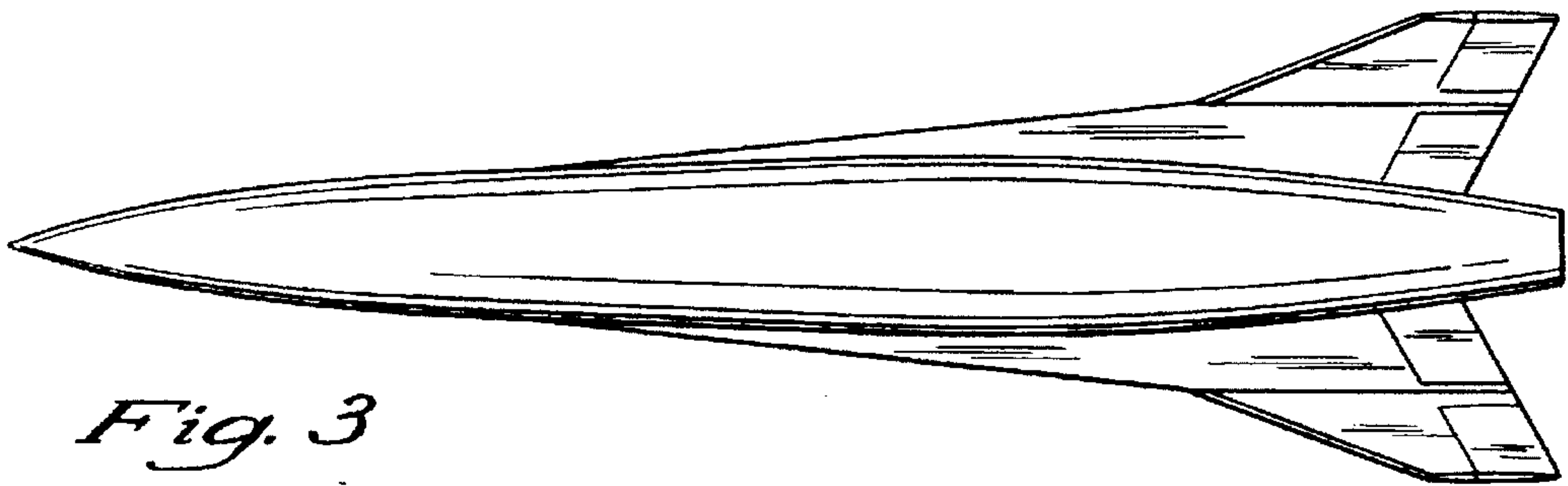
**1 Claim, 1 Drawing Sheet**



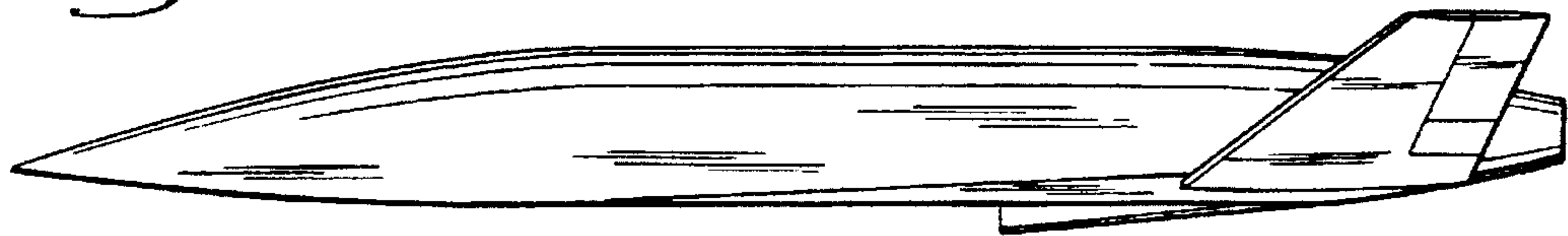
*Fig. 1*



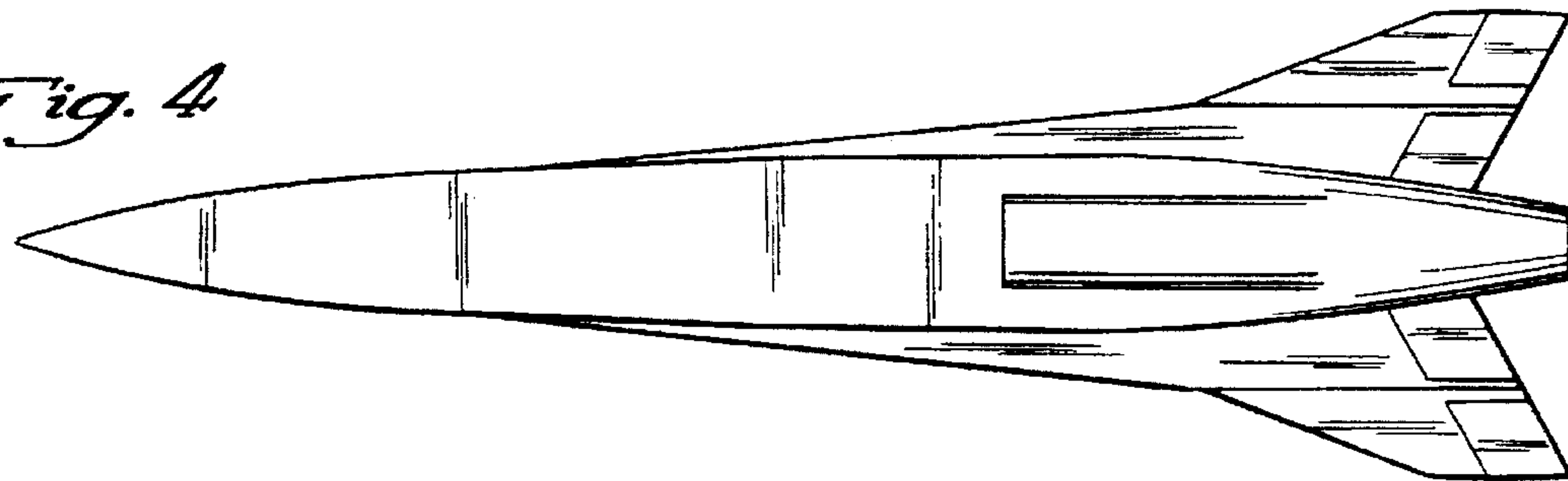
*Fig. 3*



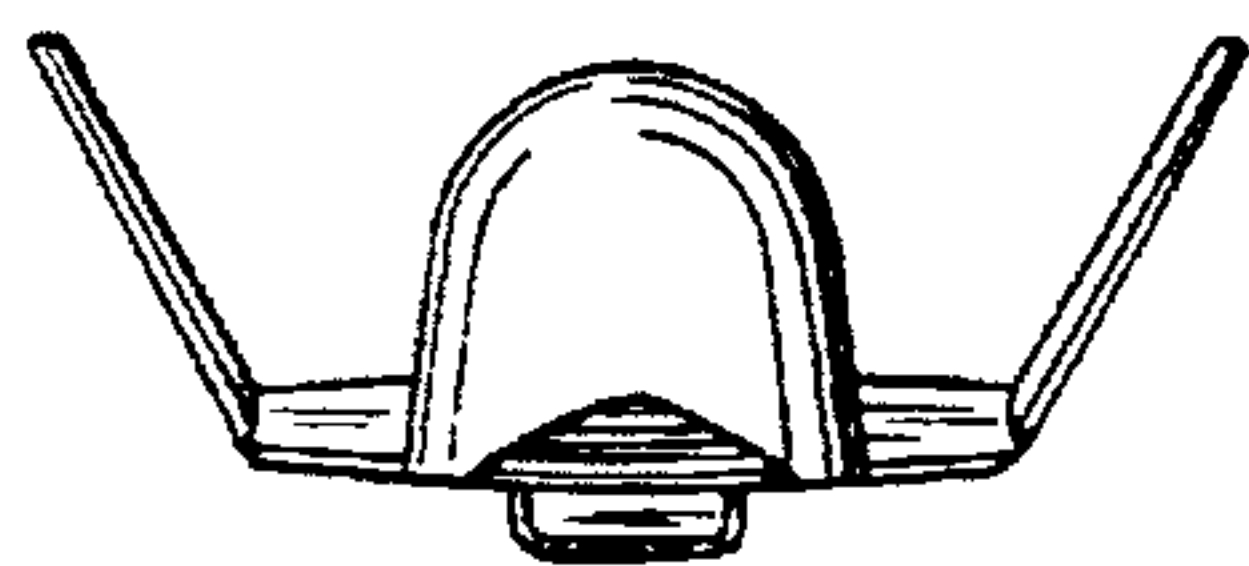
*Fig. 2*



*Fig. 4*



*Fig. 5*



*Fig. 6*

