



US00D381933S

# United States Patent [19]

Van Wingerden

[11] Patent Number: **Des. 381,933**

[45] Date of Patent: **\*\*Aug. 5, 1997**

[54] **PLANT GROWING CONTAINER**

[75] Inventor: **Aart Van Wingerden**, Fletcher, N.C.

[73] Assignee: **Winstrip, Inc.**, Mills River, N.C.

[\*\*] Term: **14 Years**

[21] Appl. No.: **44,319**

[22] Filed: **Sep. 22, 1995**

[51] LOC (6) Cl. .... **11-02**

[52] U.S. Cl. .... **D11/155; D11/143**

[58] Field of Search ..... D11/143, 152,  
D11/155, 156, 164; D6/403, 556; D9/341,  
456; 47/33, 66, 73, 75, 77, 41.01, 41.1;  
206/423, 558, 564; 248/27.8

[56] **References Cited**

**U.S. PATENT DOCUMENTS**

Re. 32,808	12/1988	Wingerden	47/85
D. 277,837	3/1985	Turunen	D11/155
D. 298,924	12/1988	Saarinen	D11/155
D. 324,834	3/1992	Saarinen	D11/155

D. 325,714	4/1992	Karhiniemi et al.	D11/155
3,949,523	4/1976	Lehtipuu	47/77
4,050,188	9/1977	Van Wingerden	47/85
4,242,834	1/1981	Olsen	47/73
4,389,814	6/1983	Andreason et al.	47/73
4,510,712	4/1985	Whitcomb	47/66
4,671,699	6/1987	Roach	47/33 X
5,131,185	7/1992	Wingerden	47/86

*Primary Examiner*—Caron D. Veynar  
*Attorney, Agent, or Firm*—Carter & Schmedler

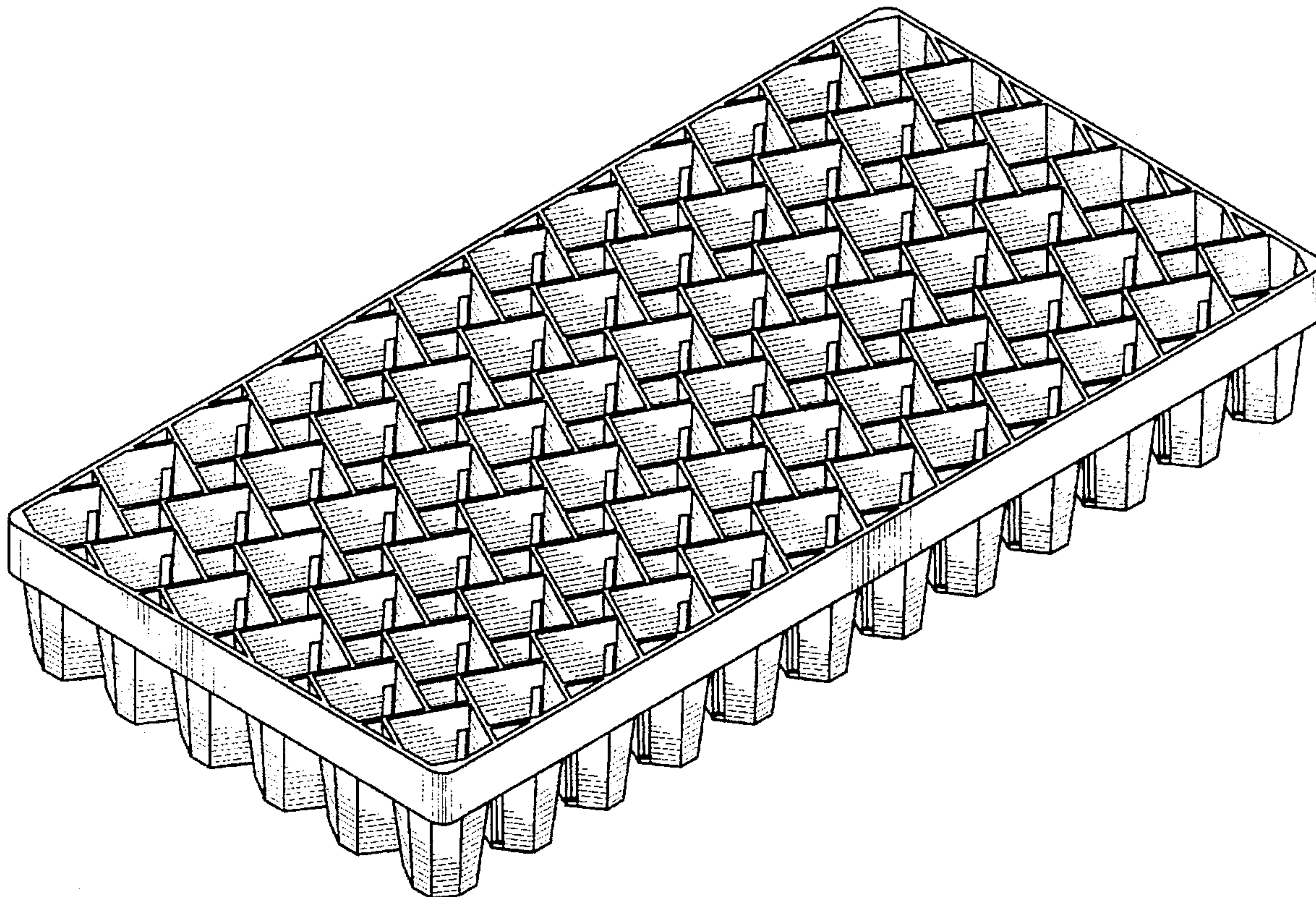
[57] **CLAIM**

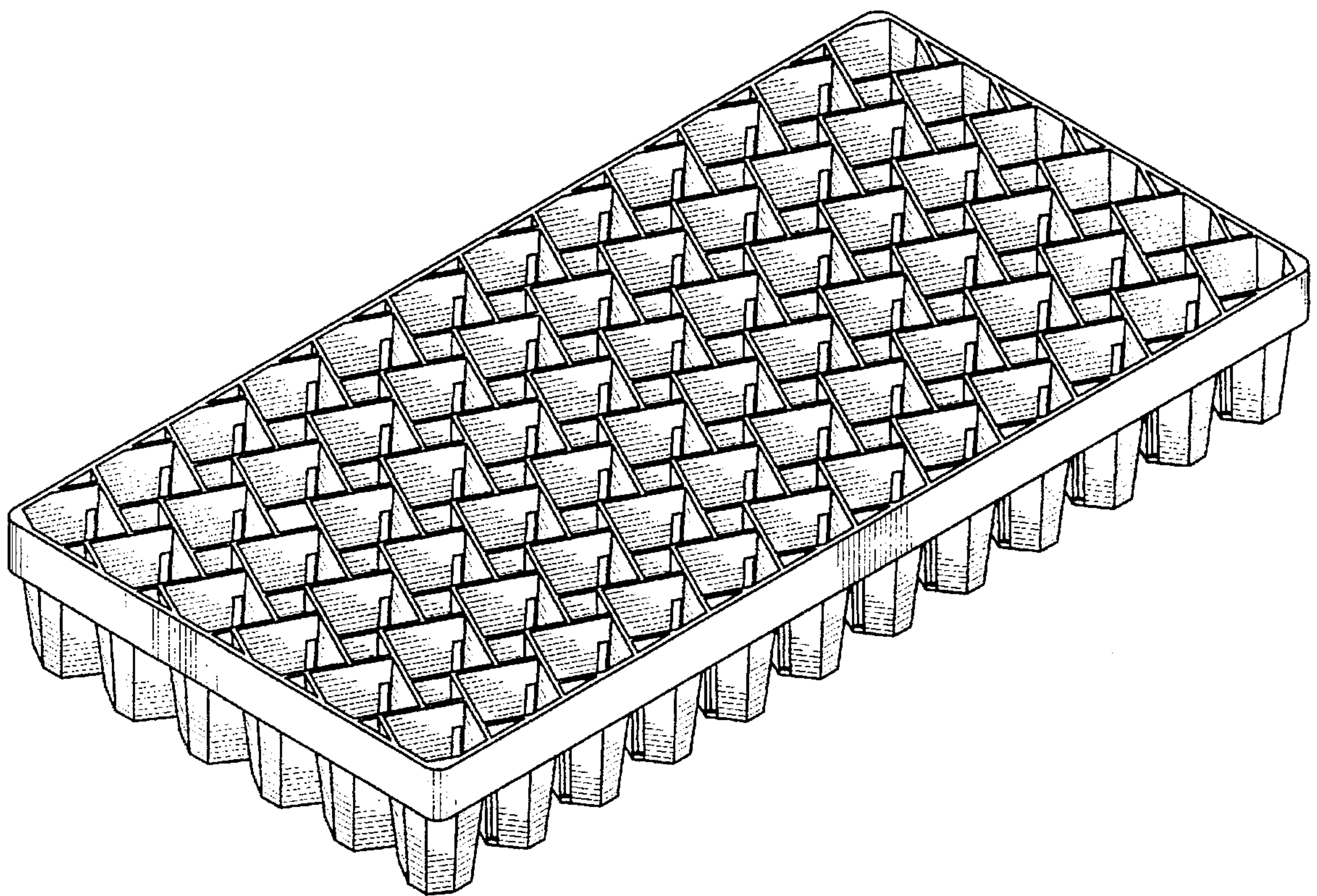
The ornamental design for a plant growing container, as shown and described.

**DESCRIPTION**

FIG. 1 is a perspective view of a plant growing container showing my new design;  
FIG. 2 is a top view thereof;  
FIG. 3 is a bottom view thereof;  
FIG. 4 is a front and rear elevational view thereof; and,  
FIG. 5 is a left and right side elevational view thereof.

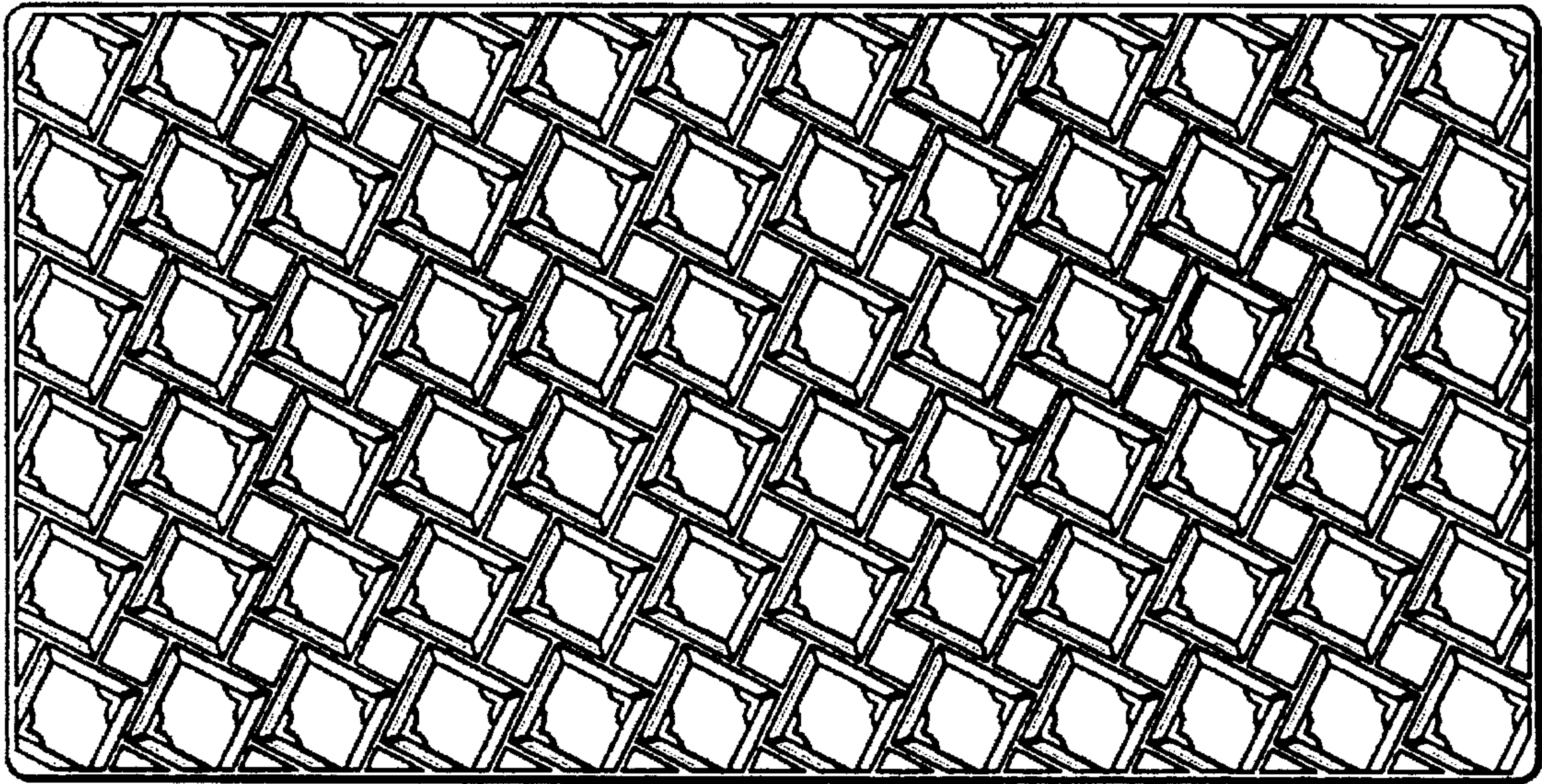
**1 Claim, 3 Drawing Sheets**



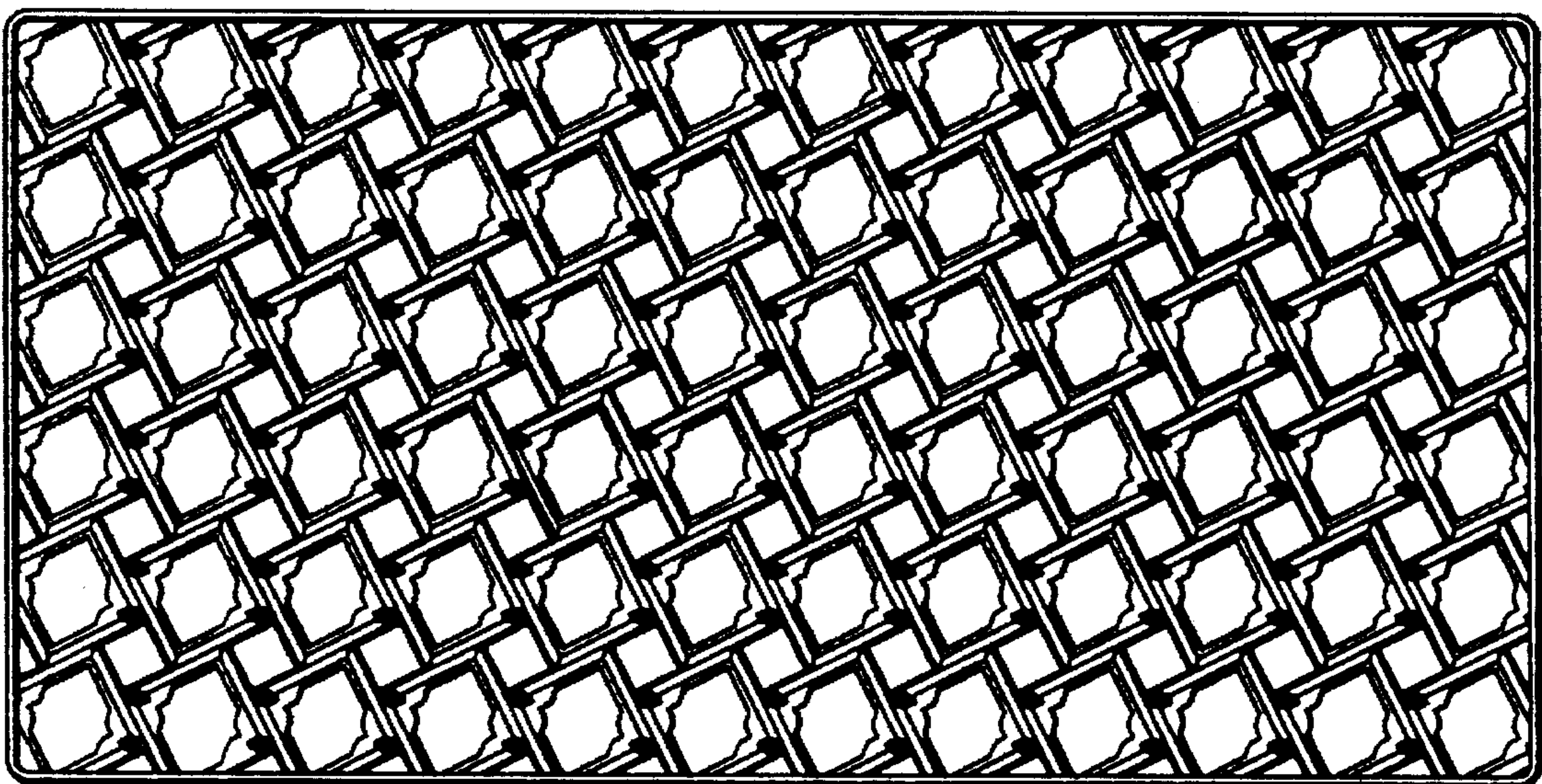


*FIG. 1*





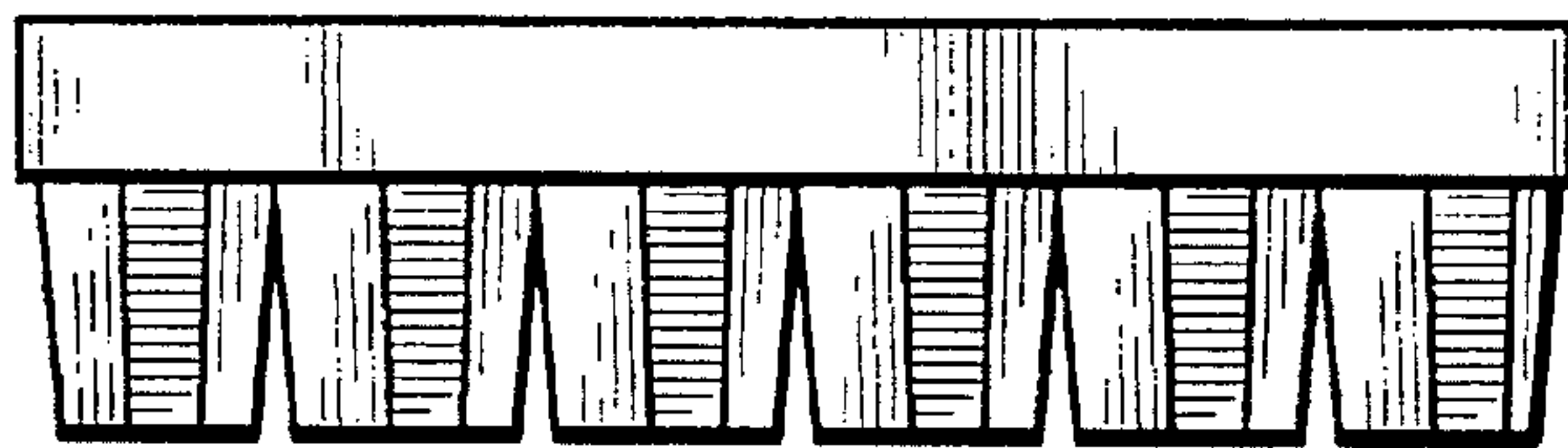
*FIG. 2*



*FIG. 3*



*FIG. 4*



*FIG. 5*