



US00D381930S

United States Patent [19] Faller

[11] Patent Number: **Des. 381,930**
[45] Date of Patent: ****Aug. 5, 1997**

[54] **CHRISTMAS TREE STAND AND PLATFORM**

[76] Inventor: **William Faller**, 205 Ross St.,
Kewaunee, Wis. 54216

[**] Term: **14 Years**

[21] Appl. No.: **49,087**

[22] Filed: **Jan. 16, 1996**

[51] LOC (6) Cl. **11-05**

[52] U.S. Cl. **D11/130.1; 47/40.5**

[58] Field of Search **D11/130.1; 47/40.5;**
248/519, 527, 529

[56] **References Cited**

U.S. PATENT DOCUMENTS

D. 71,246 10/1926 Kelly D11/130.1
392,871 11/1888 Langenbach 47/40.5 X

2,674,687	4/1954	Priehe	47/40.5 X
2,936,144	5/1960	Otis	47/40.5 X
4,310,989	1/1982	Shannon, Jr.	47/40.5
4,571,882	2/1986	Capen	47/40.5
5,131,618	7/1992	Chapin	47/40.5 X

Primary Examiner—Dominic Simone

[57] **CLAIM**

The ornamental design for a Christmas tree stand and platform, as shown and described.

DESCRIPTION

FIG. 1 is a perspective view of a Christmas tree stand and platform showing my new design therefor;
FIG. 2 is a side elevational view, all sides being the same;
FIG. 3 is a top plan view; and,
FIG. 4 is a bottom plan view.

1 Claim, 2 Drawing Sheets

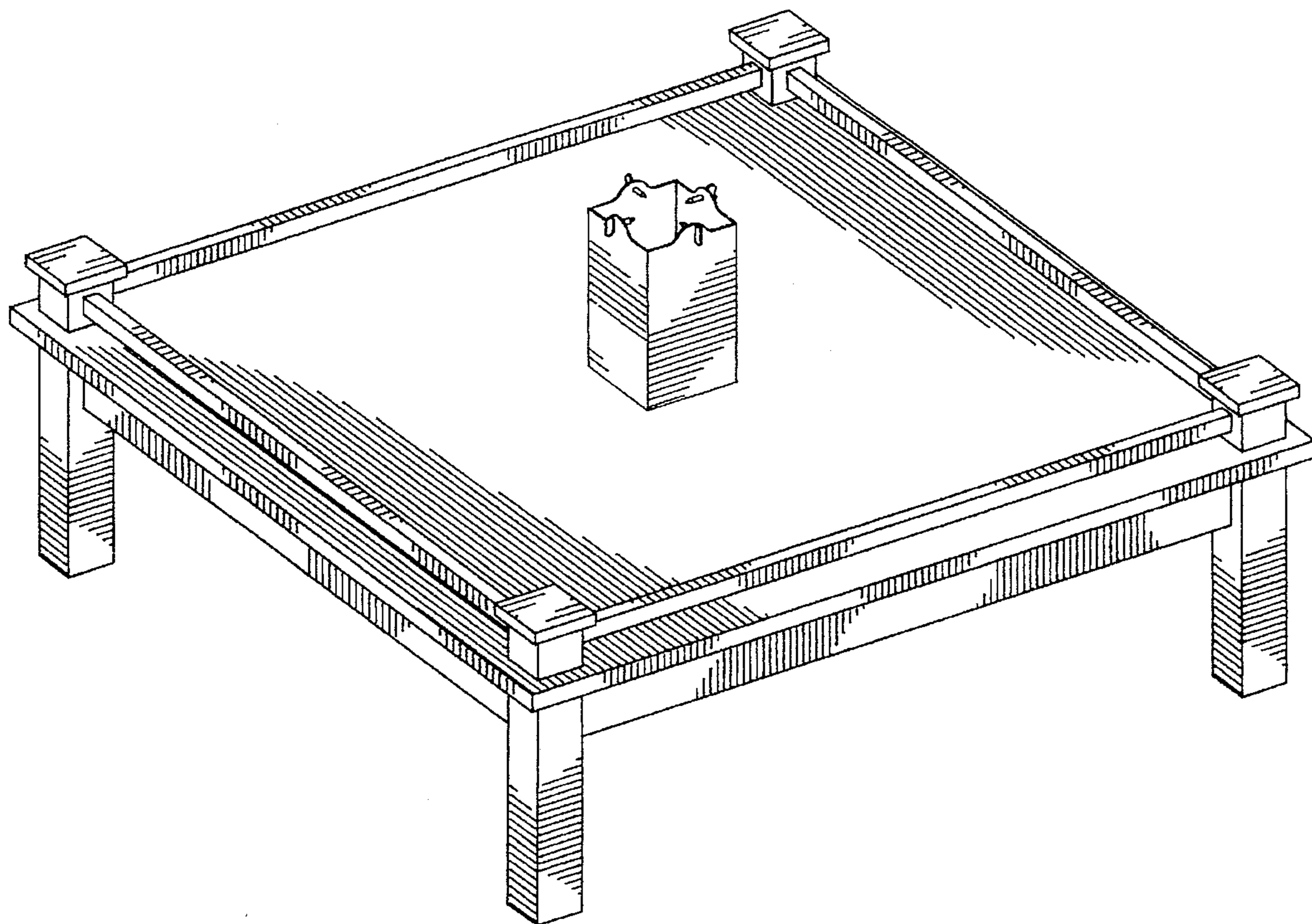


FIG. 1

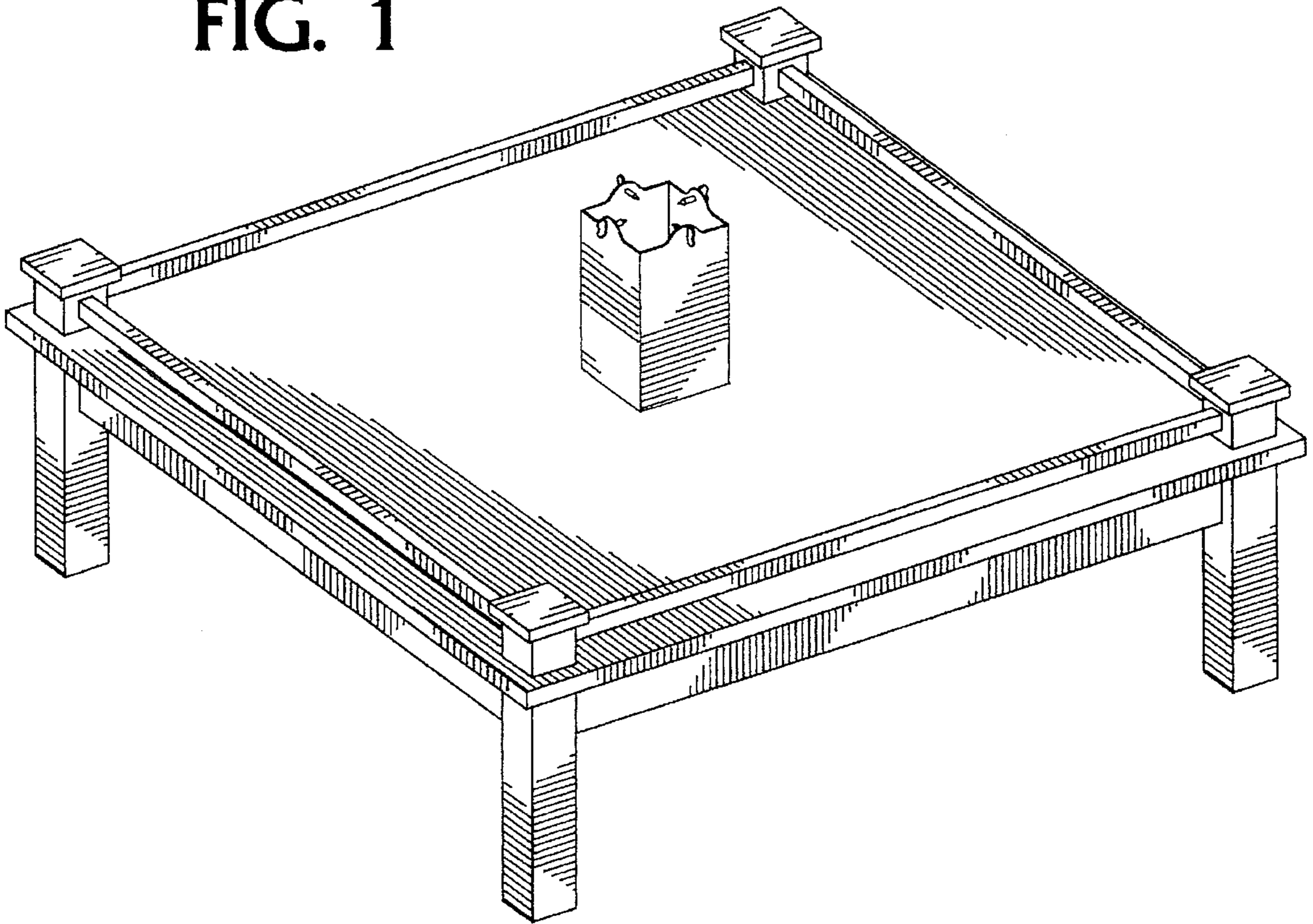


FIG. 2

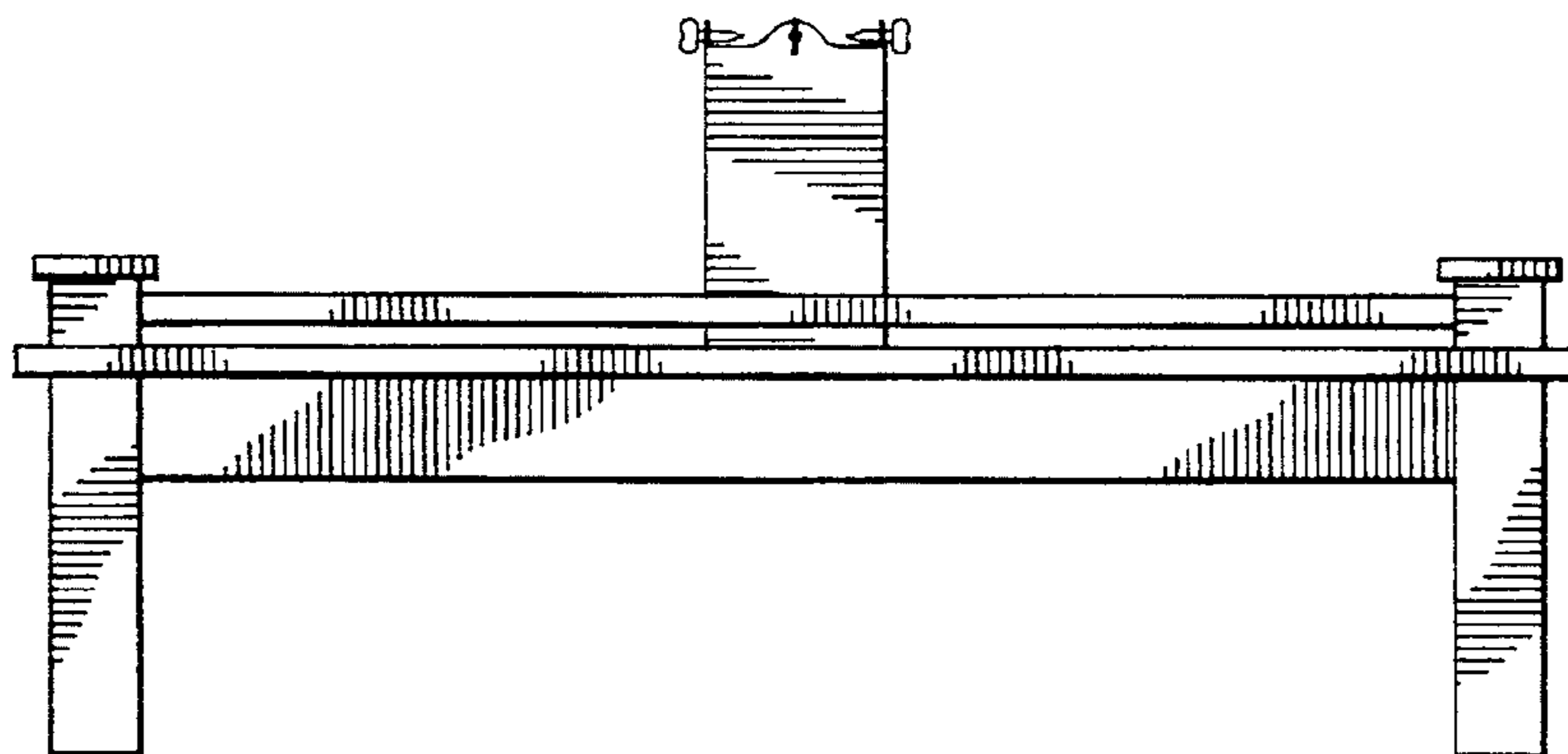


FIG. 3

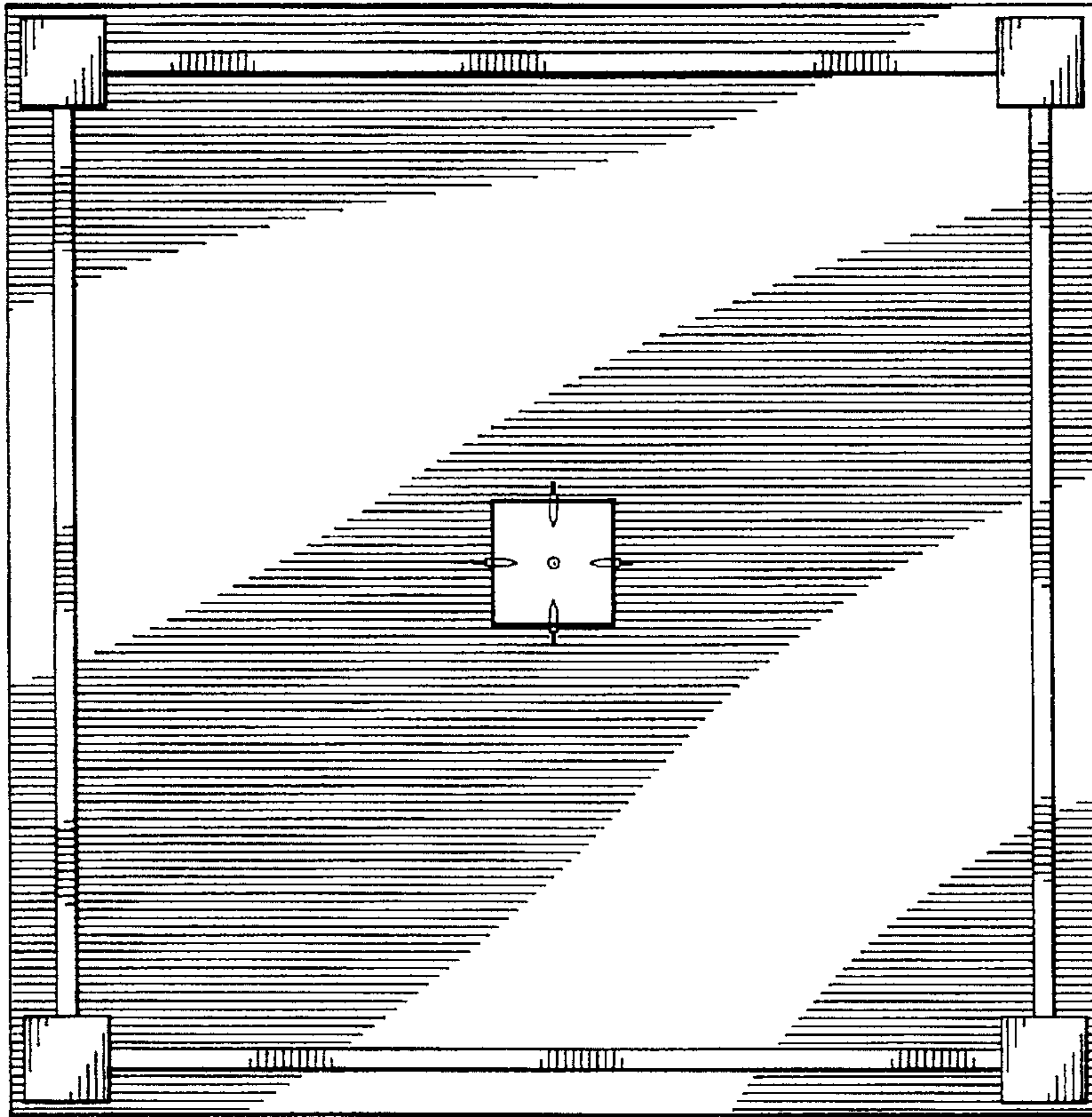


FIG. 4

