



US00D381928S

United States Patent [19]
Yoo

[11] **Patent Number:** **Des. 381,928**
[45] **Date of Patent:** ****Aug. 5, 1997**

[54] **BRACELET**

[76] **Inventor:** **Tae Woo Yoo**, 807, 1-Dong, Hanyang,
Apt. 32-5, Banpo-dong, Seocho-ku,
Seoul, Rep. of Korea

[**] **Term:** **14 Years**

[21] **Appl. No.:** **55,581**

[22] **Filed:** **Jun. 7, 1996**

[30] **Foreign Application Priority Data**

Feb. 23, 1996 [KR] Rep. of Korea 96-3022

[51] **LOC (6) Cl.** **11-01**

[52] **U.S. Cl.** **D11/12**

[58] **Field of Search** D11/1-25, 93,
D11/94; 59/78, 84; 63/1.1, 2, 3; D10/30

[56] **References Cited**

U.S. PATENT DOCUMENTS

D. 109,688	5/1938	Ambrust	D11/12
D. 143,349	12/1945	Philippe	D11/12
D. 152,658	2/1949	Sklar	D11/25
D. 160,893	11/1950	Sand	D11/23
D. 312,596	12/1990	Bulgari	D11/12
D. 342,037	12/1993	Giandiello	D11/25
D. 369,117	4/1996	Scheufele	D11/22

Primary Examiner—Ralf Seifert
Attorney, Agent, or Firm—Richard M. Goldberg

[57] **CLAIM**

The ornamental design for a bracelet, as shown and described.

DESCRIPTION

FIG. 1 is a perspective view of the bracelet of my new design;
FIG. 2 is an enlarged perspective view of a portion thereof in an open and closed state;
FIG. 3 is a perspective left side elevational view thereof, shown worn on a wrist;
FIG. 4 is a top plan view thereof;
FIG. 5 is a bottom plan view thereof;
FIG. 6 is a front elevational view thereof, with the rear elevational view being a mirror image;
FIG. 7 is a left side elevational view thereof;
FIG. 8 is a right side elevational view thereof; and,
FIG. 9 is a cross-sectional view thereof, taken along line 9—9 of FIG. 6.

The broken line showing of a hand in FIG. 3, is for illustrative purposes only and forms no part of the claimed design.

1 Claim, 3 Drawing Sheets

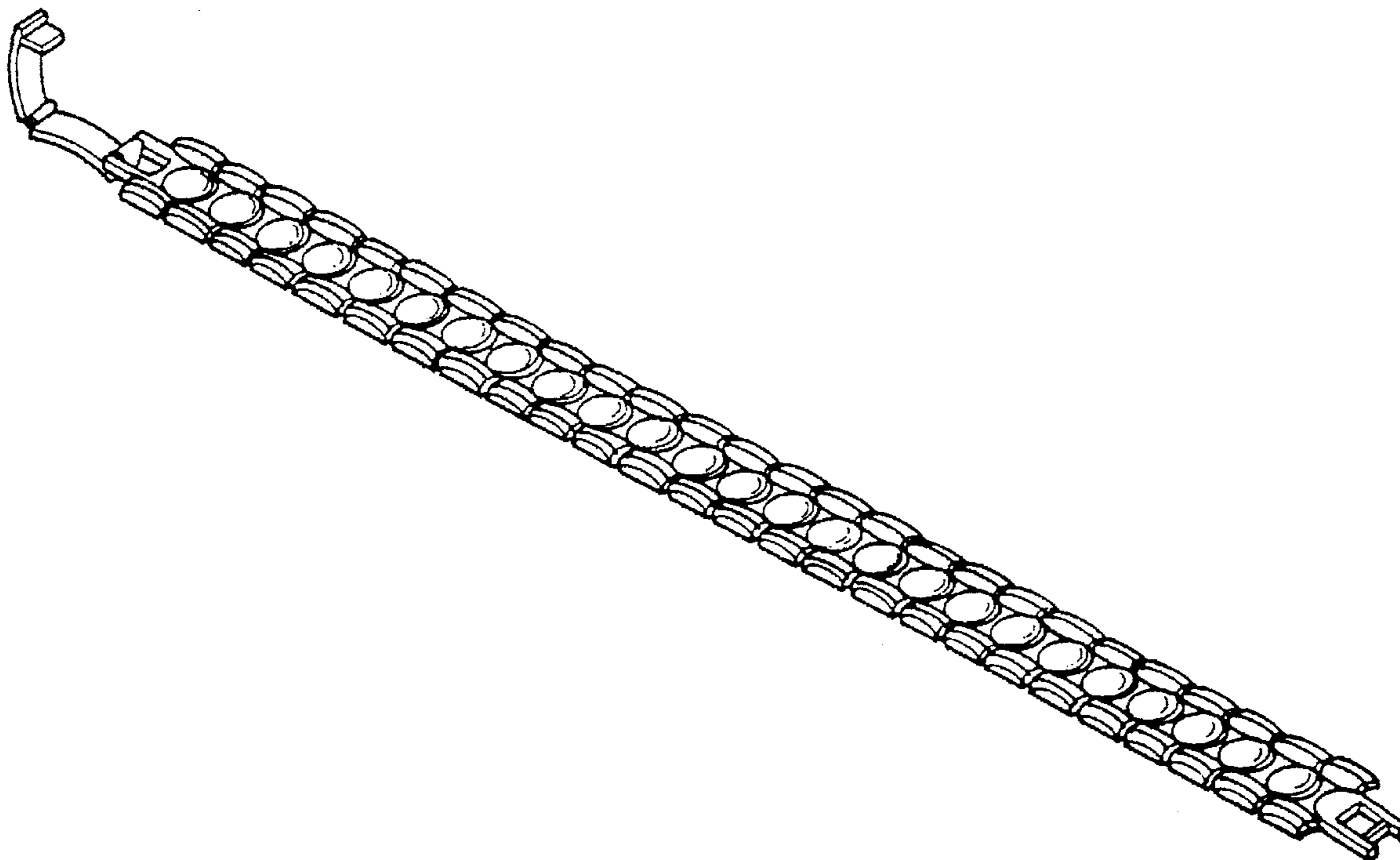


FIG. 1

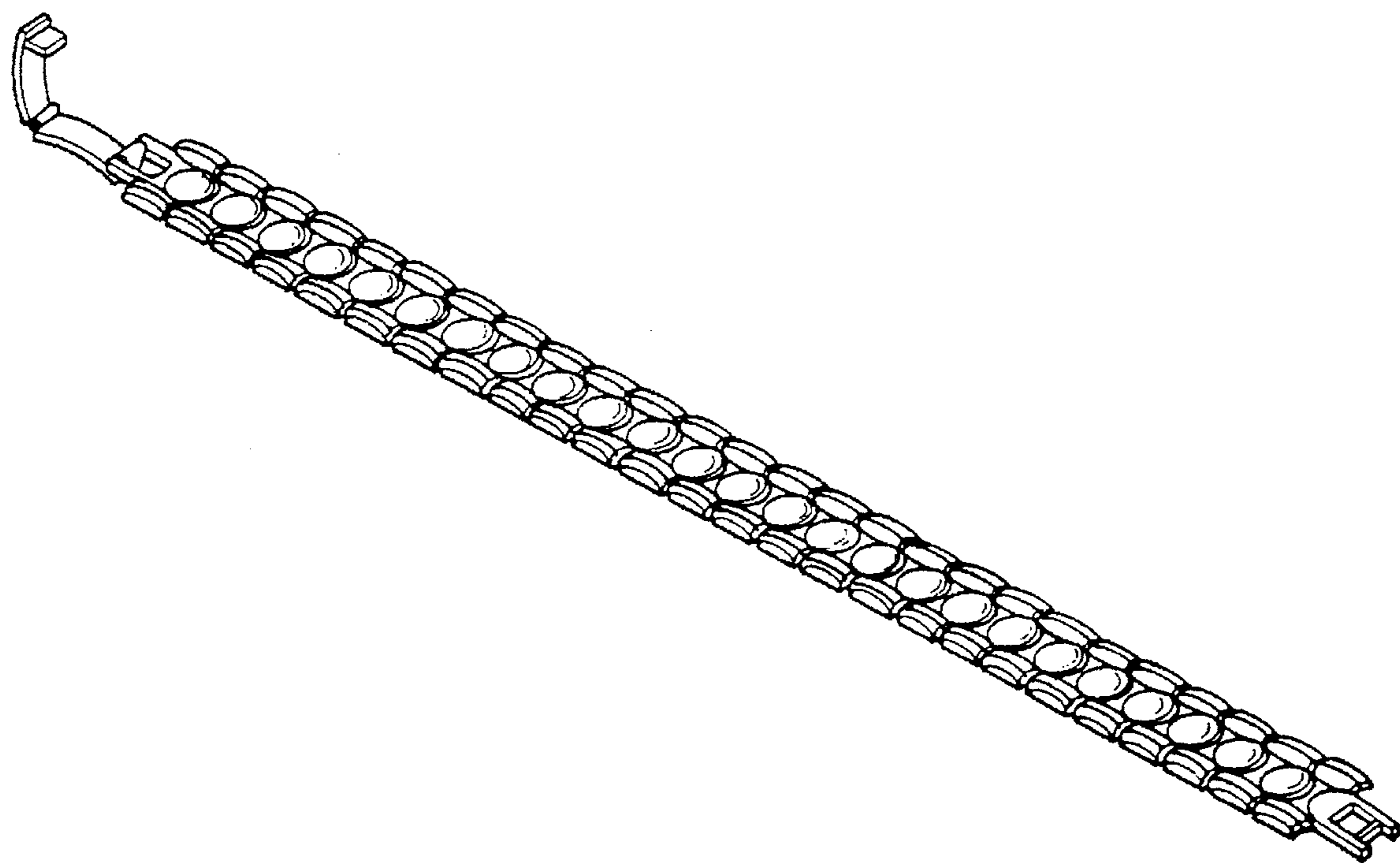


FIG. 2

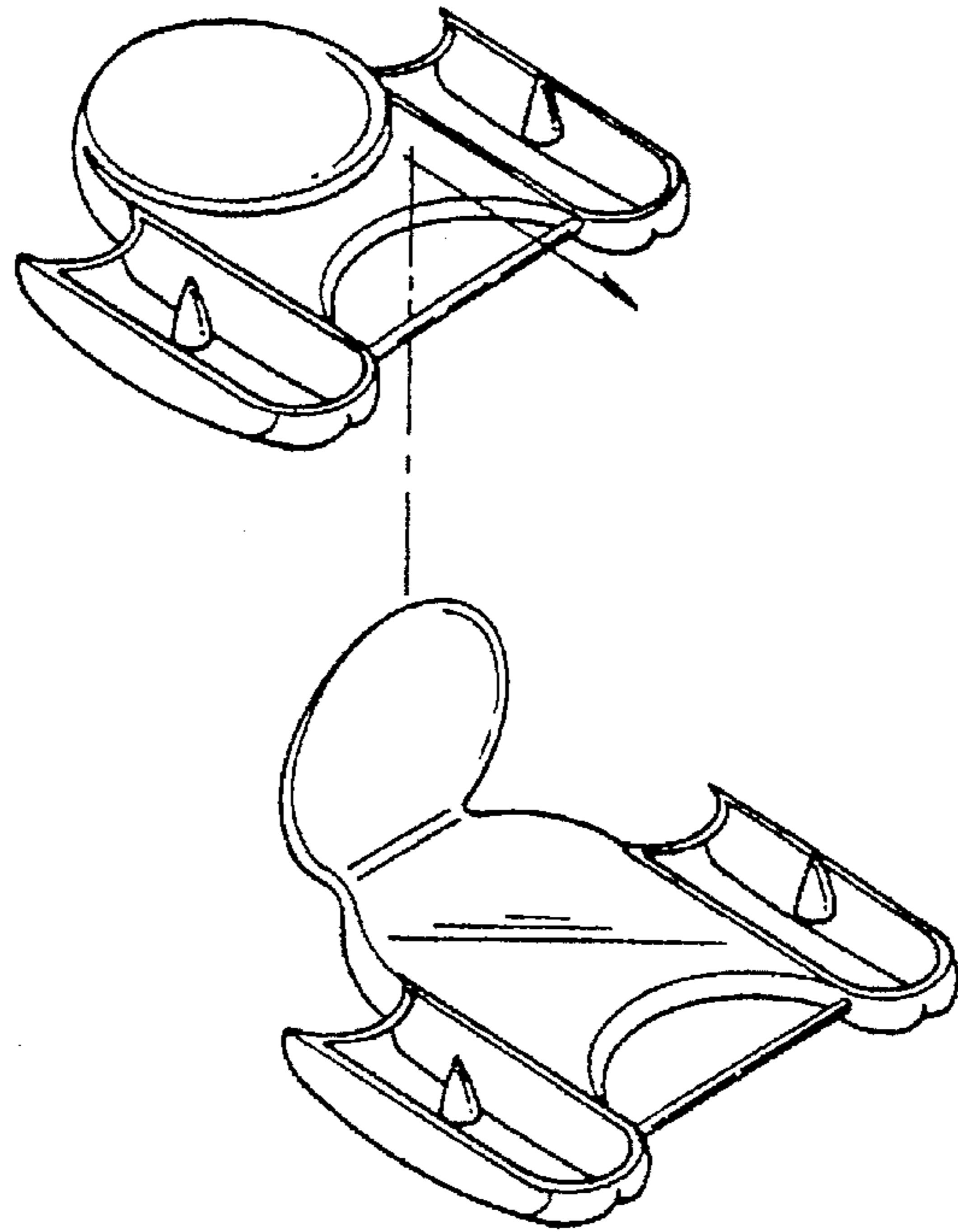


FIG. 3

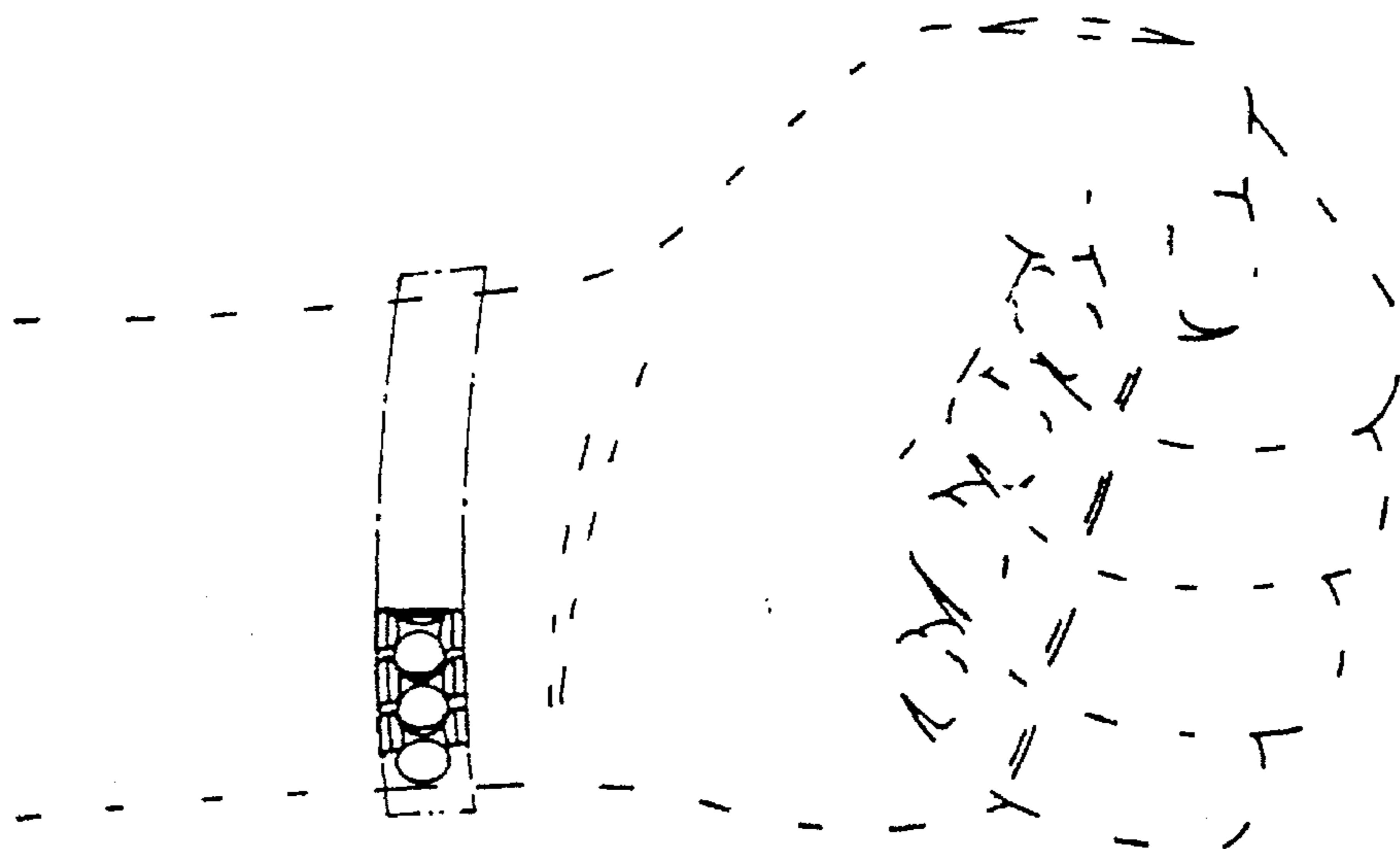


FIG. 4

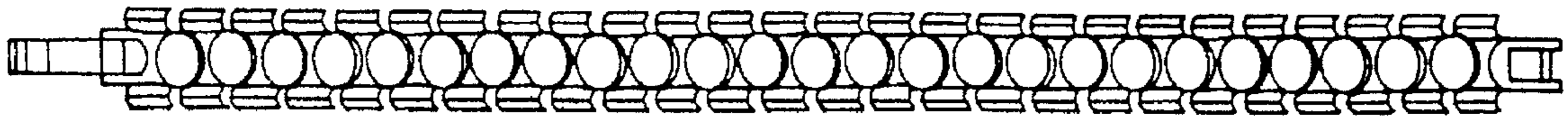


FIG. 5



FIG. 6

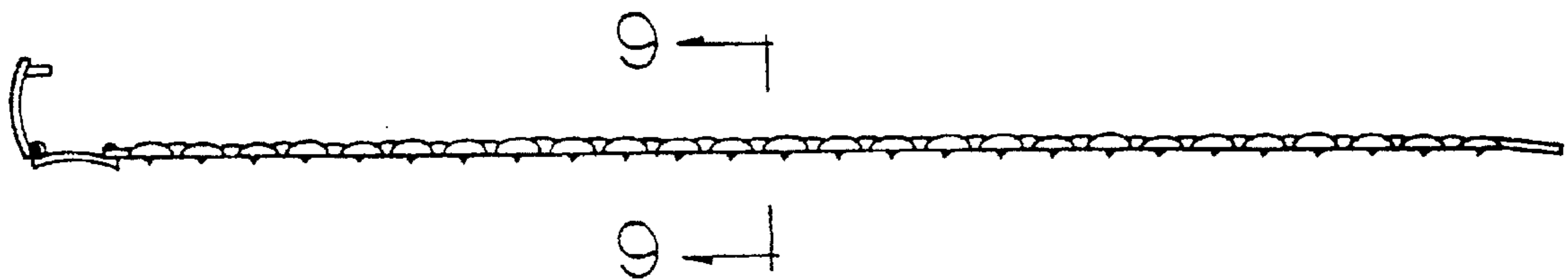


FIG. 7

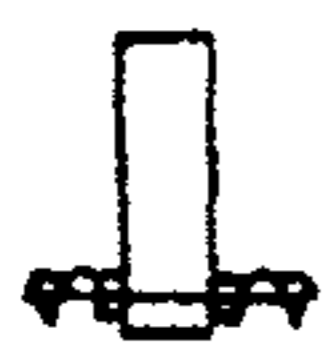


FIG. 8



FIG. 9

