



US00D381923S

United States Patent [19]

Rowe et al.

[11] Patent Number: **Des. 381,923**

[45] Date of Patent: ****Aug. 5, 1997**

[54] **STROBE STOP LIGHT**

[76] Inventors: **Verlin C. Rowe; Margaret M. Rowe**,
both of 707 New Hope Rd., Goldsboro,
N.C. 27534

[**] Term: **14 Years**

[21] Appl. No.: **54,251**

[22] Filed: **May 10, 1996**

[51] LOC (6) Cl. **10-05**

[52] U.S. Cl. **D10/114; D26/28**

[58] Field of Search D26/28-36; D10/114;
362/82, 83, 83.3, 61, 74, 80, 80.1

[56] **References Cited**

U.S. PATENT DOCUMENTS

- D. 231,120 4/1974 Shanok D26/28
- D. 278,365 4/1985 Cagney D26/28
- D. 288,968 3/1987 Tomkin et al. D26/28
- D. 301,174 5/1989 Bosgal D26/28
- D. 311,962 11/1990 Huebner D26/28
- D. 332,234 1/1993 Yuen D26/28

- D. 347,704 6/1994 Thompson et al. D26/28
- D. 353,054 12/1994 Paffrath D26/28
- D. 372,995 8/1996 Huang D26/28

Primary Examiner—Marcus A. Jackson
Attorney, Agent, or Firm—Harold H. Dutton, Jr.; Diane F. Liebman

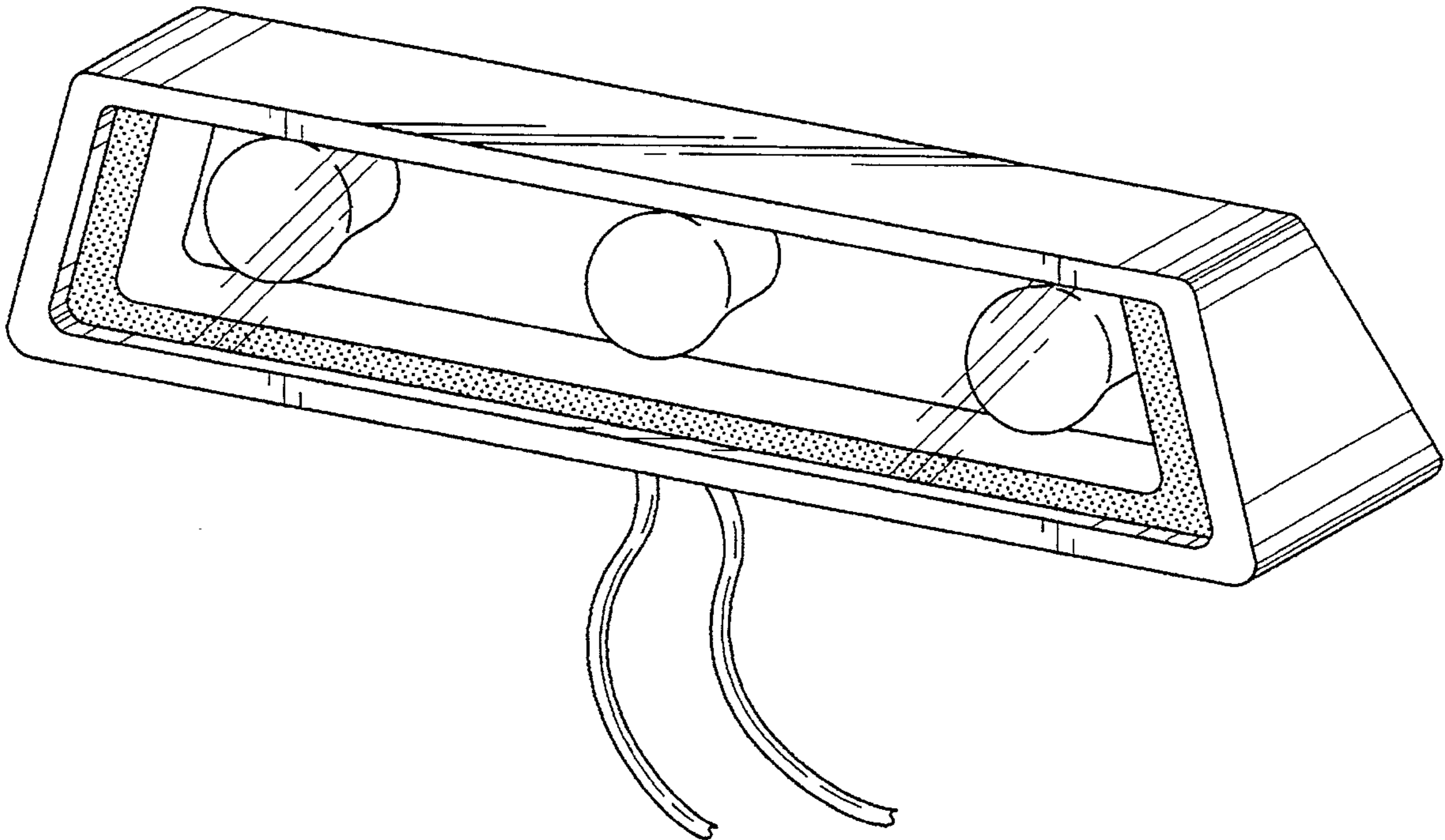
[57] **CLAIM**

The ornamental design for a strobe stop light, as shown and described.

DESCRIPTION

FIG. 1 is a perspective view of a strobe stop light showing our new design, with the wires broken away at the ends to indicate indeterminate length;
FIG. 2 is a front view thereof;
FIG. 3 is a rear view thereof;
FIG. 4 is a top view thereof;
FIG. 5 is a bottom view thereof;
FIG. 6 is a right side view thereof; and,
FIG. 7 is a left side view thereof.

1 Claim, 4 Drawing Sheets



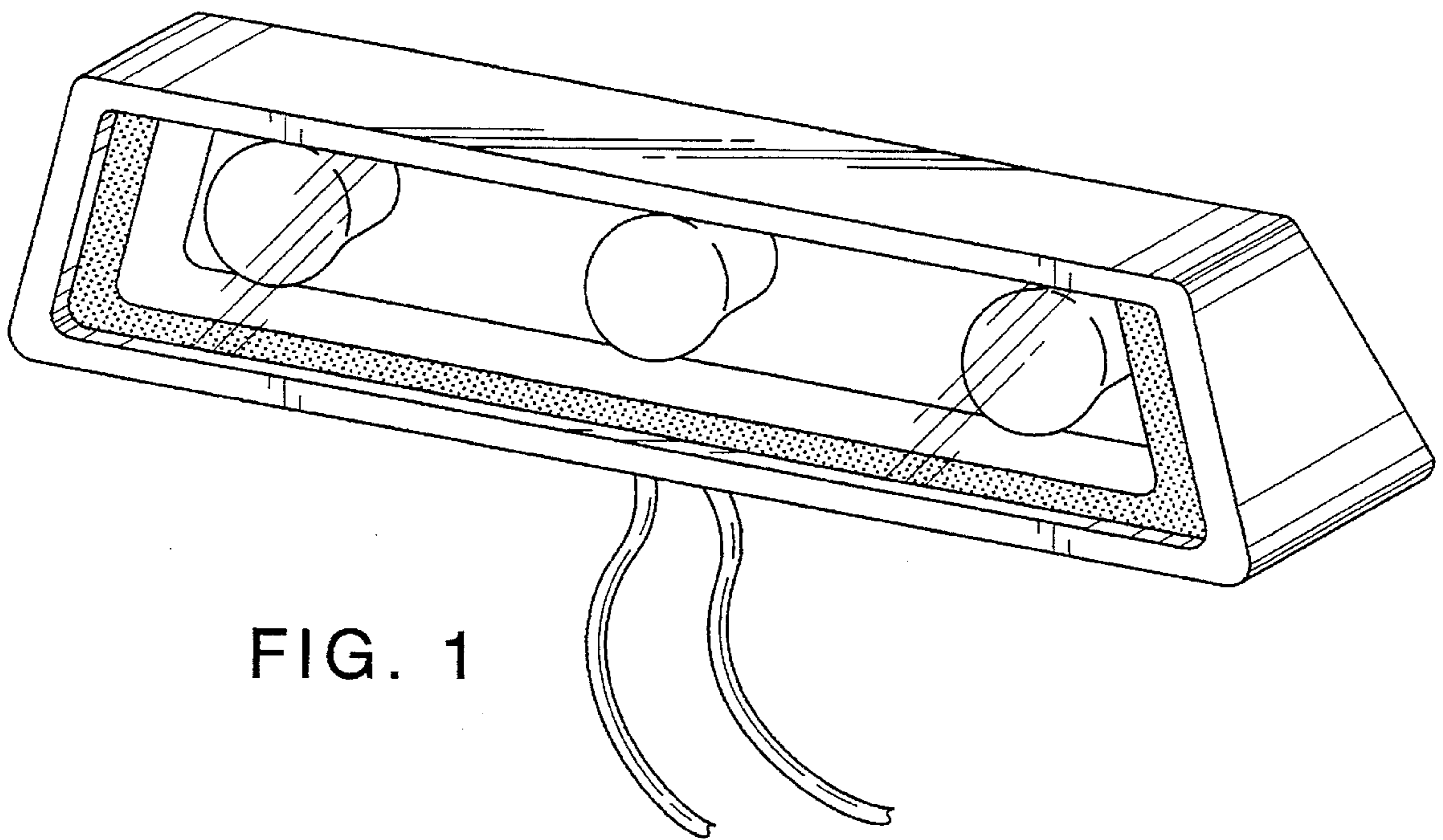


FIG. 1

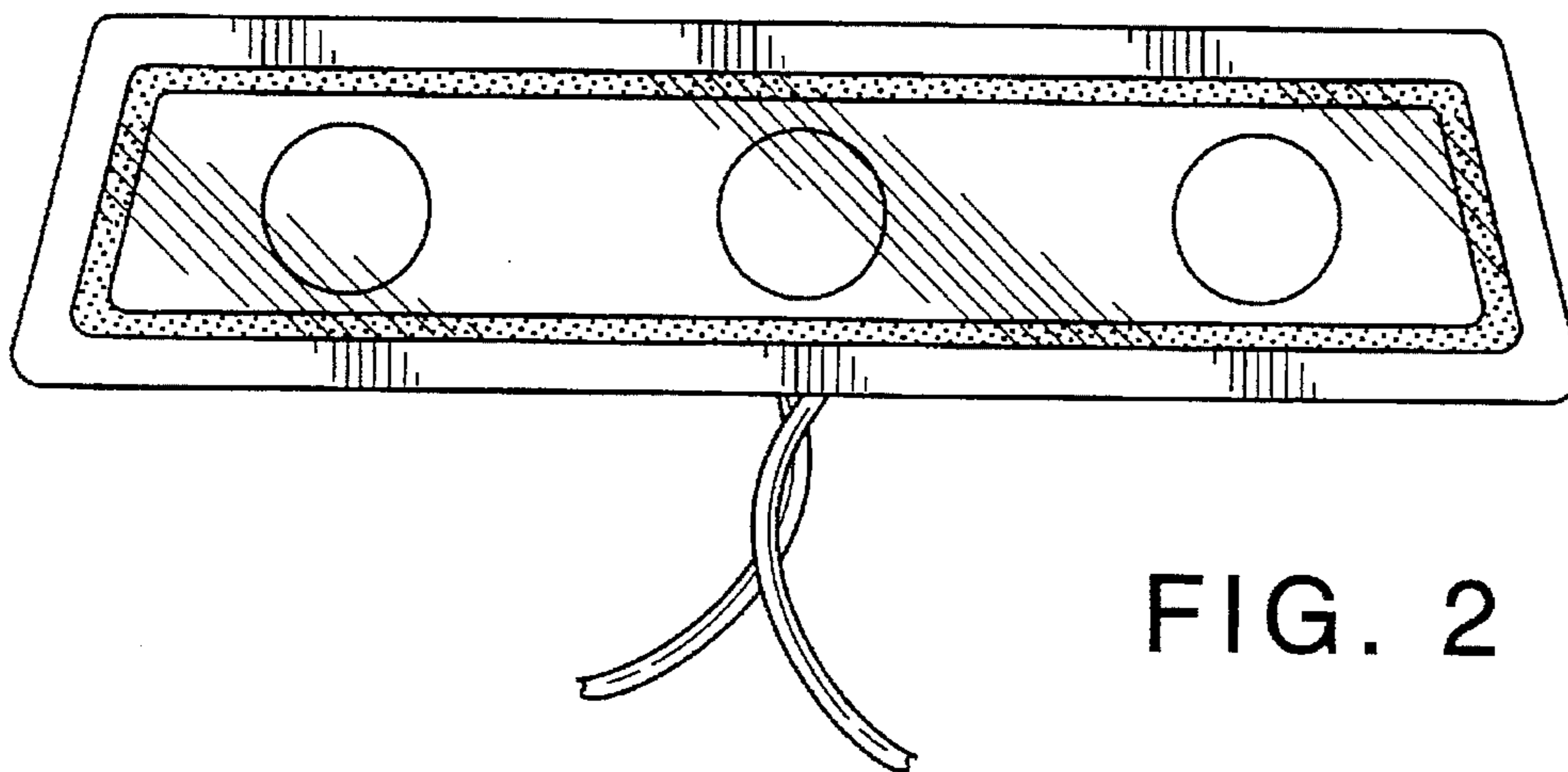


FIG. 2

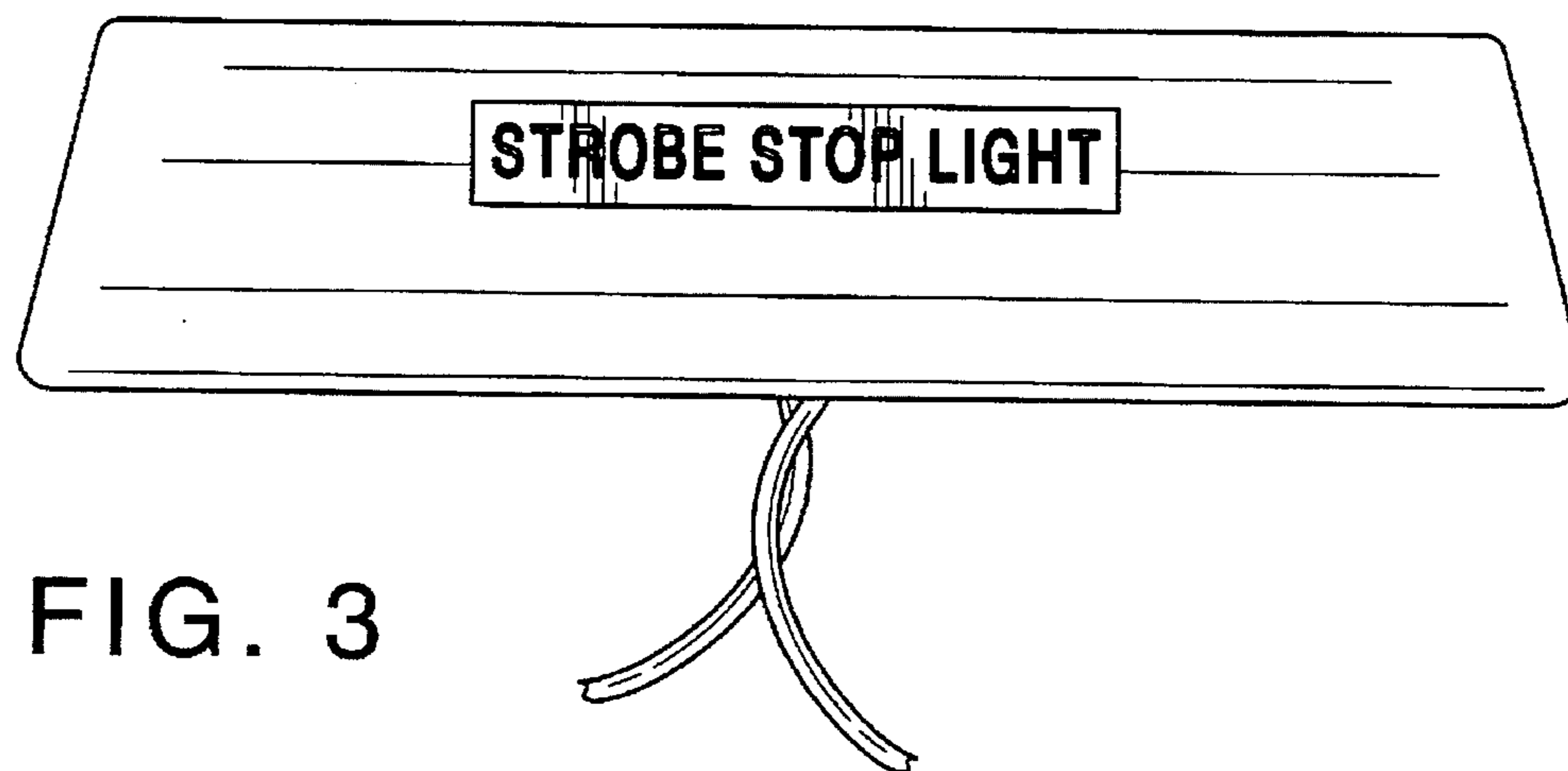


FIG. 3

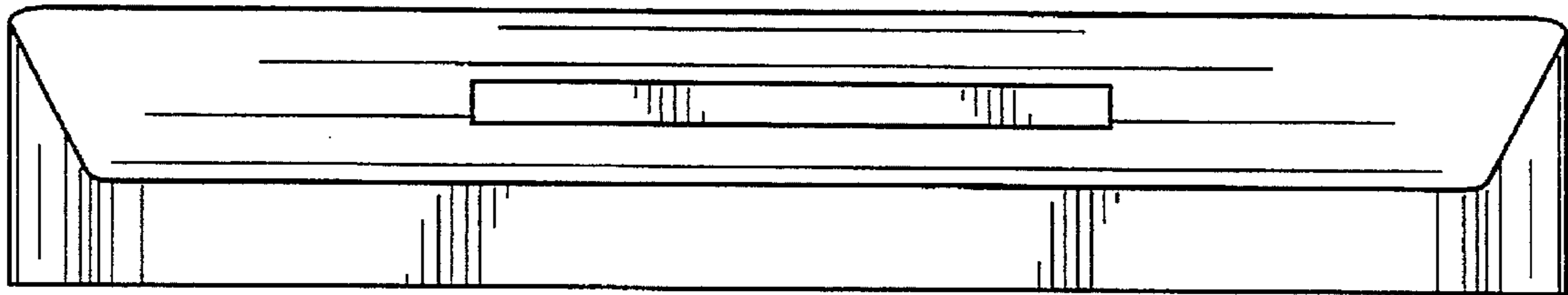


FIG. 4

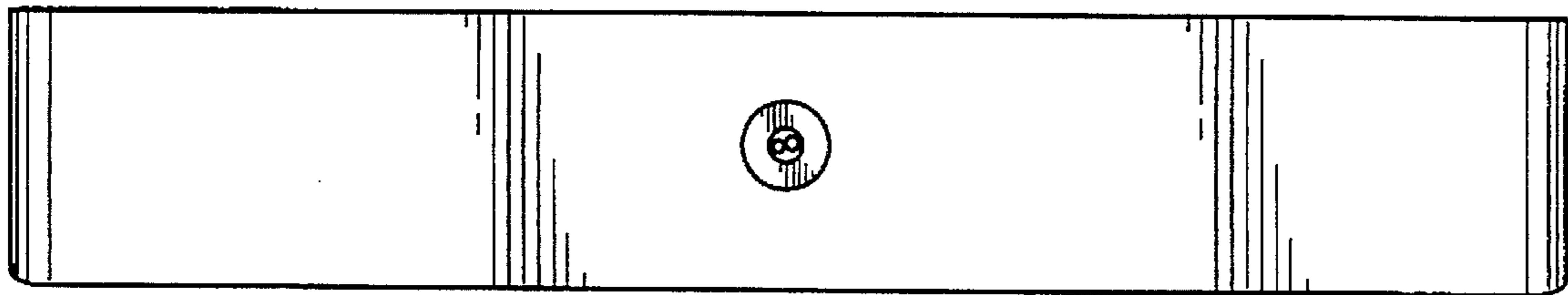


FIG. 5

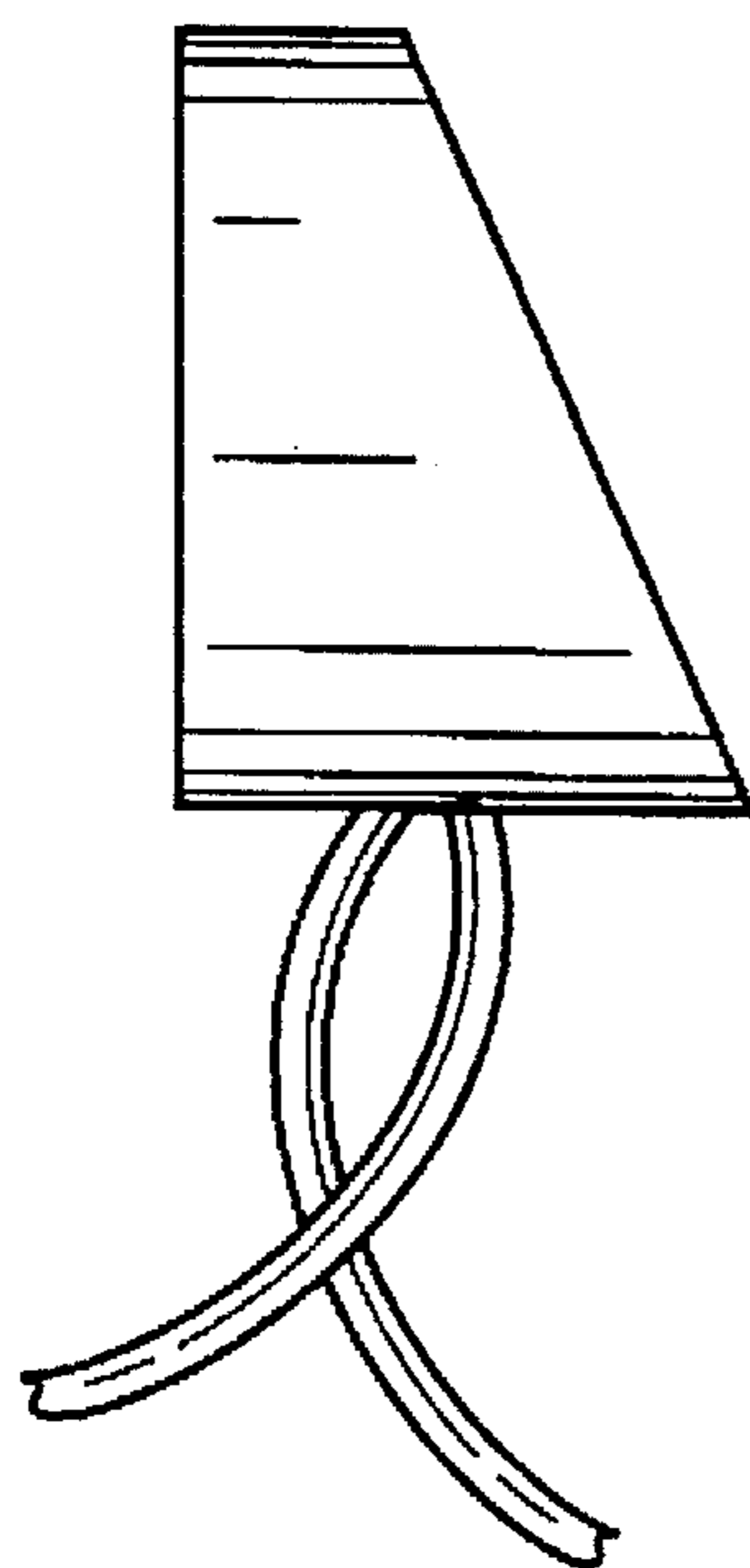


FIG. 6

FIG. 7

