



US00D381922S

United States Patent [19]
Casperson

[11] **Patent Number: Des. 381,922**
[45] **Date of Patent: **Aug. 5, 1997**

[54] **COMBINED TRANSMITTER AND RECEIVER FOR LOCATING LOST CHILDREN**

D. 343,367 1/1994 Yuen D10/106
D. 344,907 3/1994 Abrams et al. D10/106

[76] **Inventor: John L. Casperson, 732 S. 6th St., Las Vegas, Nev. 89101**

Primary Examiner—Marcus A. Jackson
Attorney, Agent, or Firm—Roy A. Ekstrand

[**] **Term: 14 Years**

[57] **CLAIM**

The ornamental design for a combined transmitter and receiver for locating lost children, as shown and described.

[21] **Appl. No.: 54,869**

DESCRIPTION

[22] **Filed: May 23, 1996**

FIG. 1 sets forth a front view of a combined transmitter and receiver for locating lost children showing the present invention new design with the cord broken away to indicate indeterminate length;

[51] **LOC (6) Cl. 10-05**

[52] **U.S. Cl. D10/104; D14/155**

[58] **Field of Search D10/104, 106, D10/116, 121; 340/540, 545, 548, 571, 572, 573; D14/155**

FIG. 2 is a left side view thereof;
FIG. 3 is a right side view thereof;
FIG. 4 is a rear view thereof;
FIG. 5 is a top view thereof; and,
FIG. 6 is a bottom view thereof.

[56] **References Cited**

U.S. PATENT DOCUMENTS

D. 339,540 9/1993 Chapelsky D10/106
D. 339,757 9/1993 Feeney D10/106

1 Claim, 2 Drawing Sheets

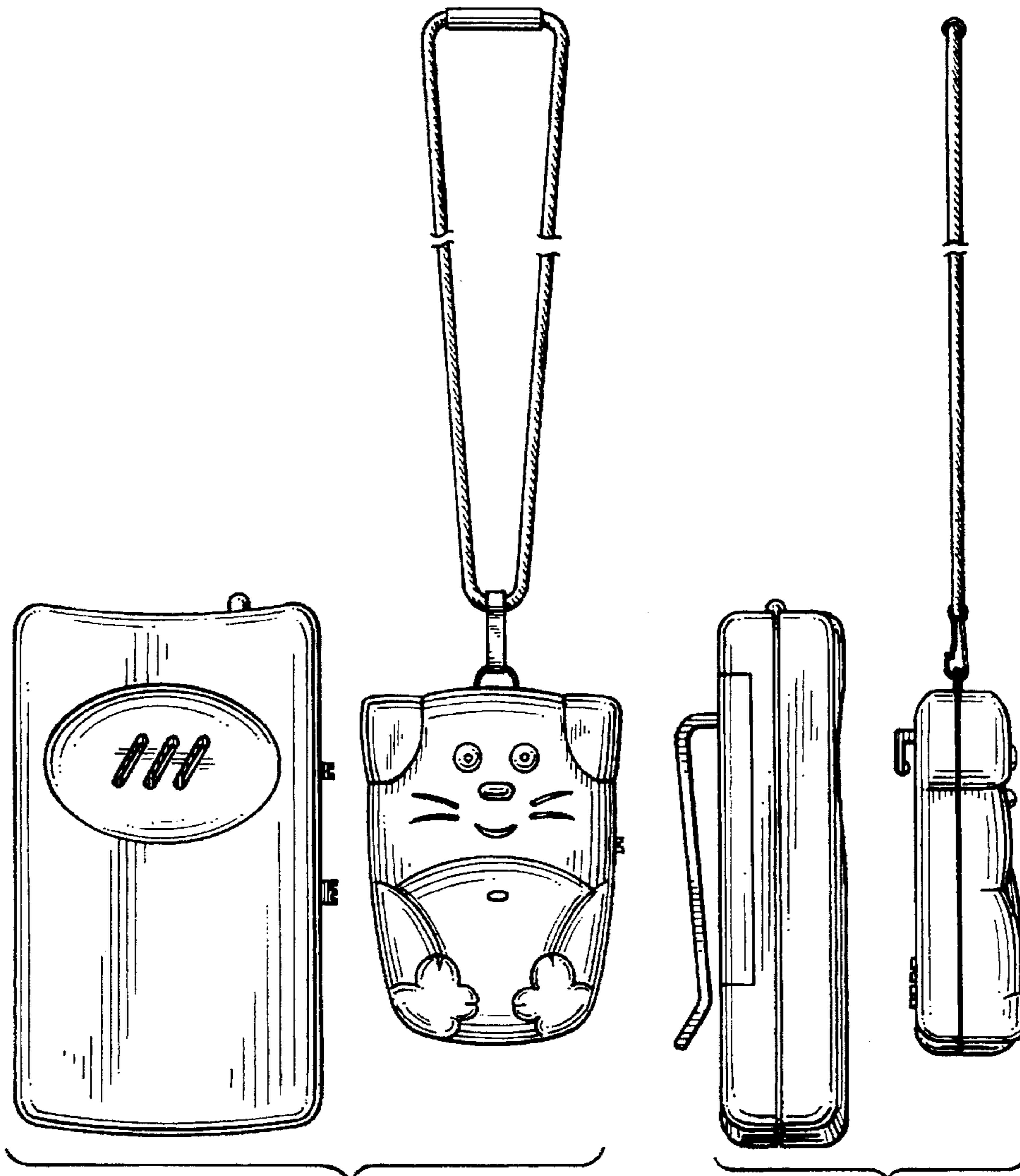


FIG. 3

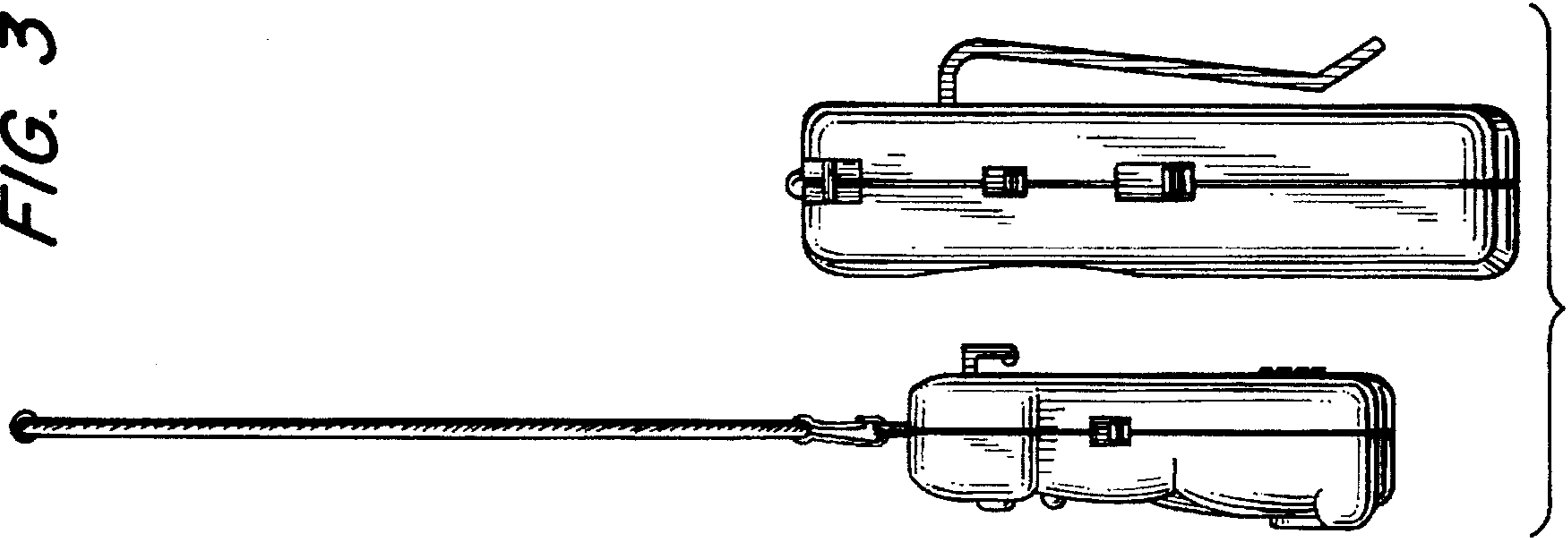


FIG. 1

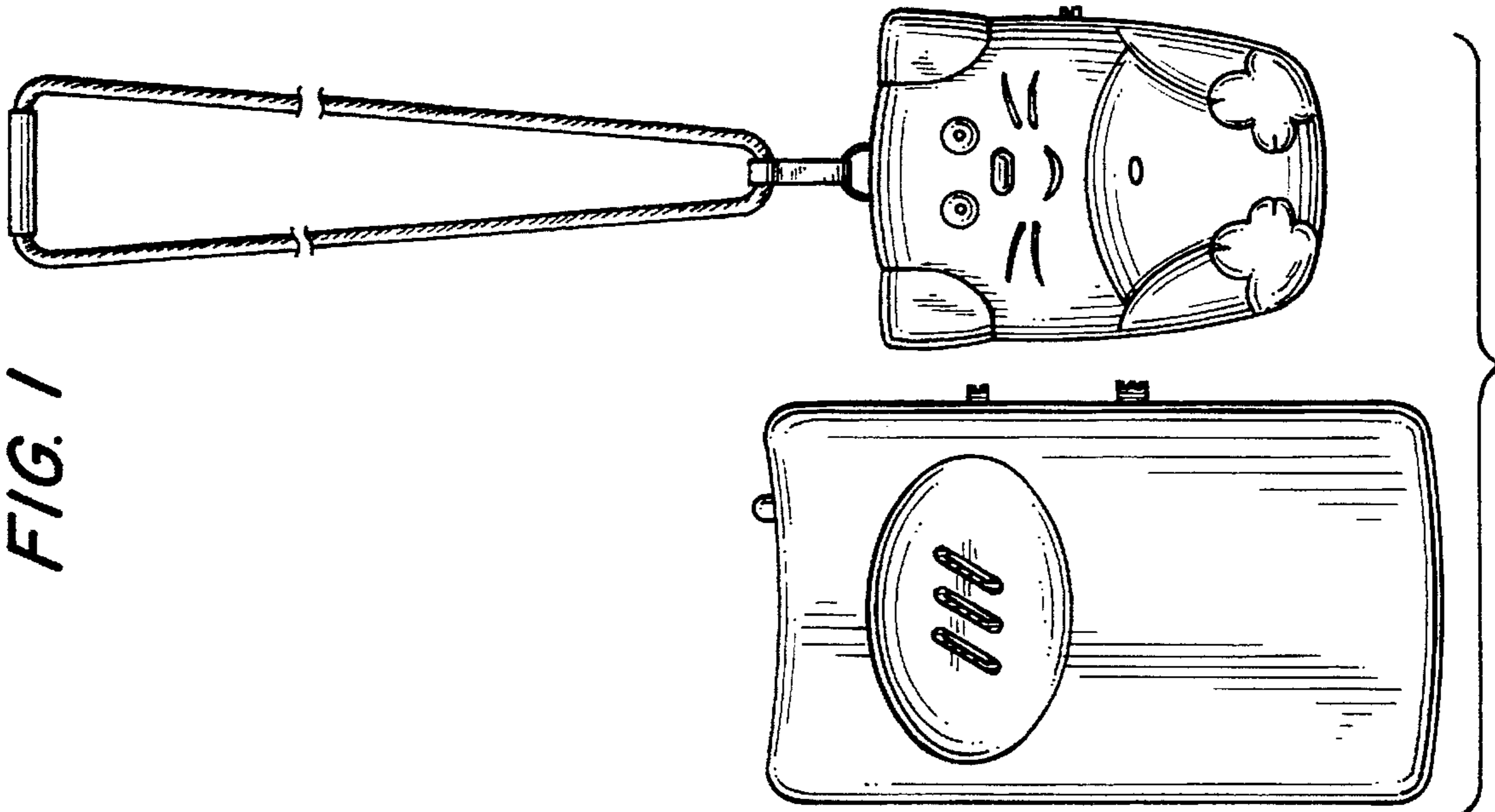


FIG. 2

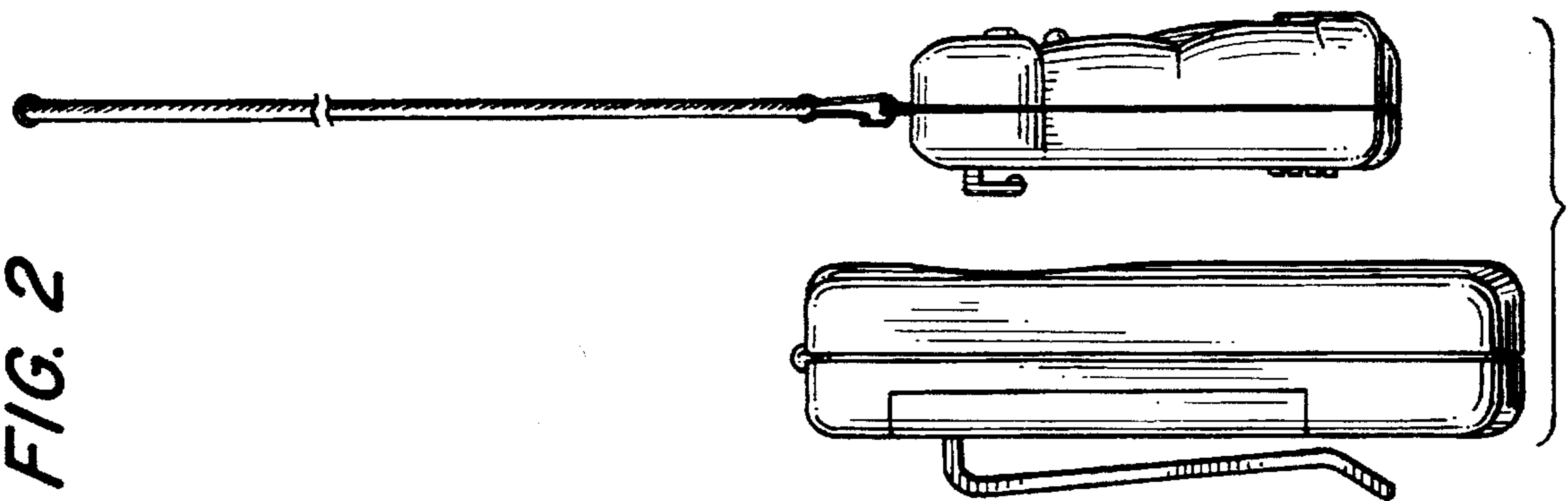


FIG. 5

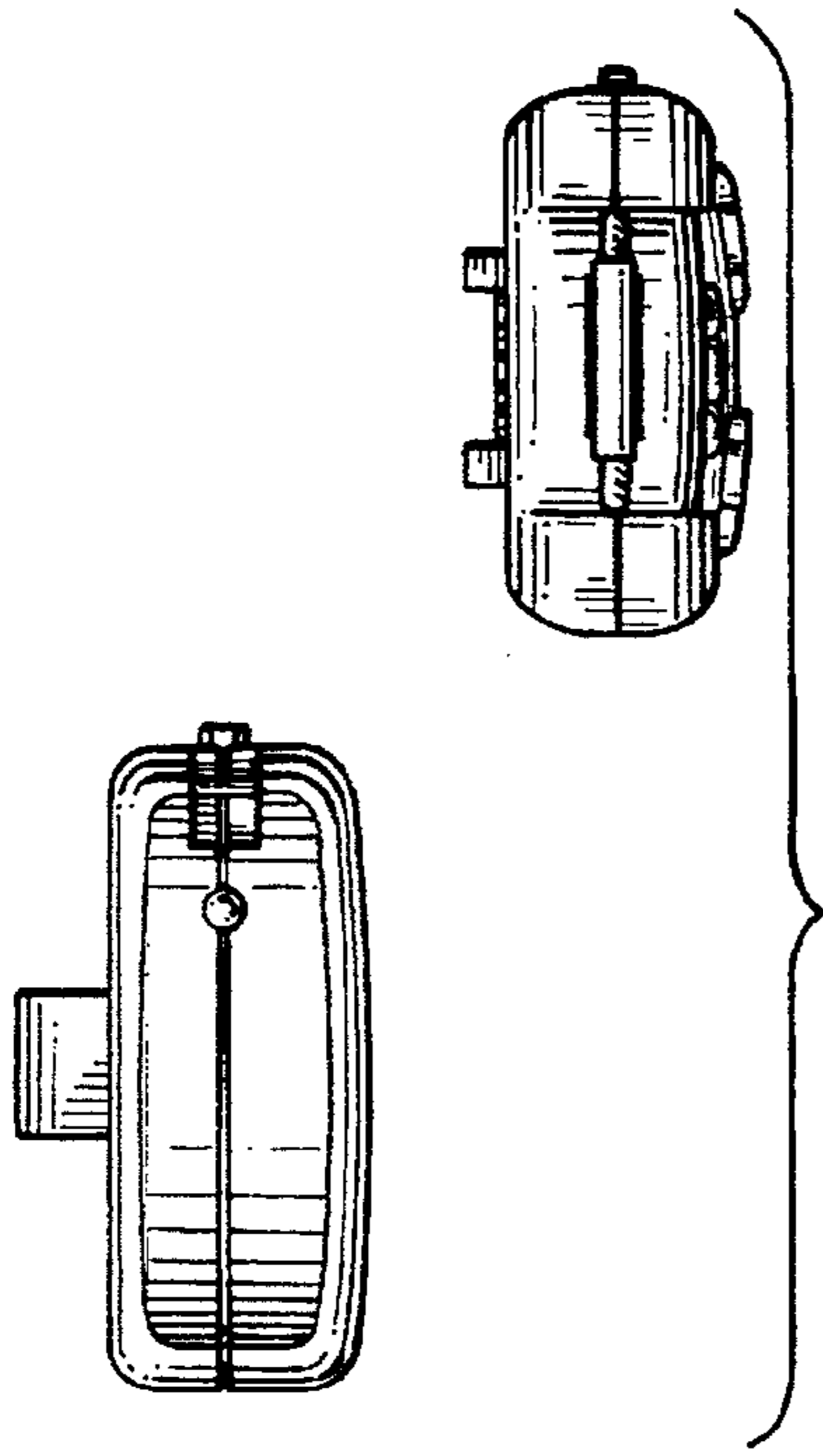


FIG. 6

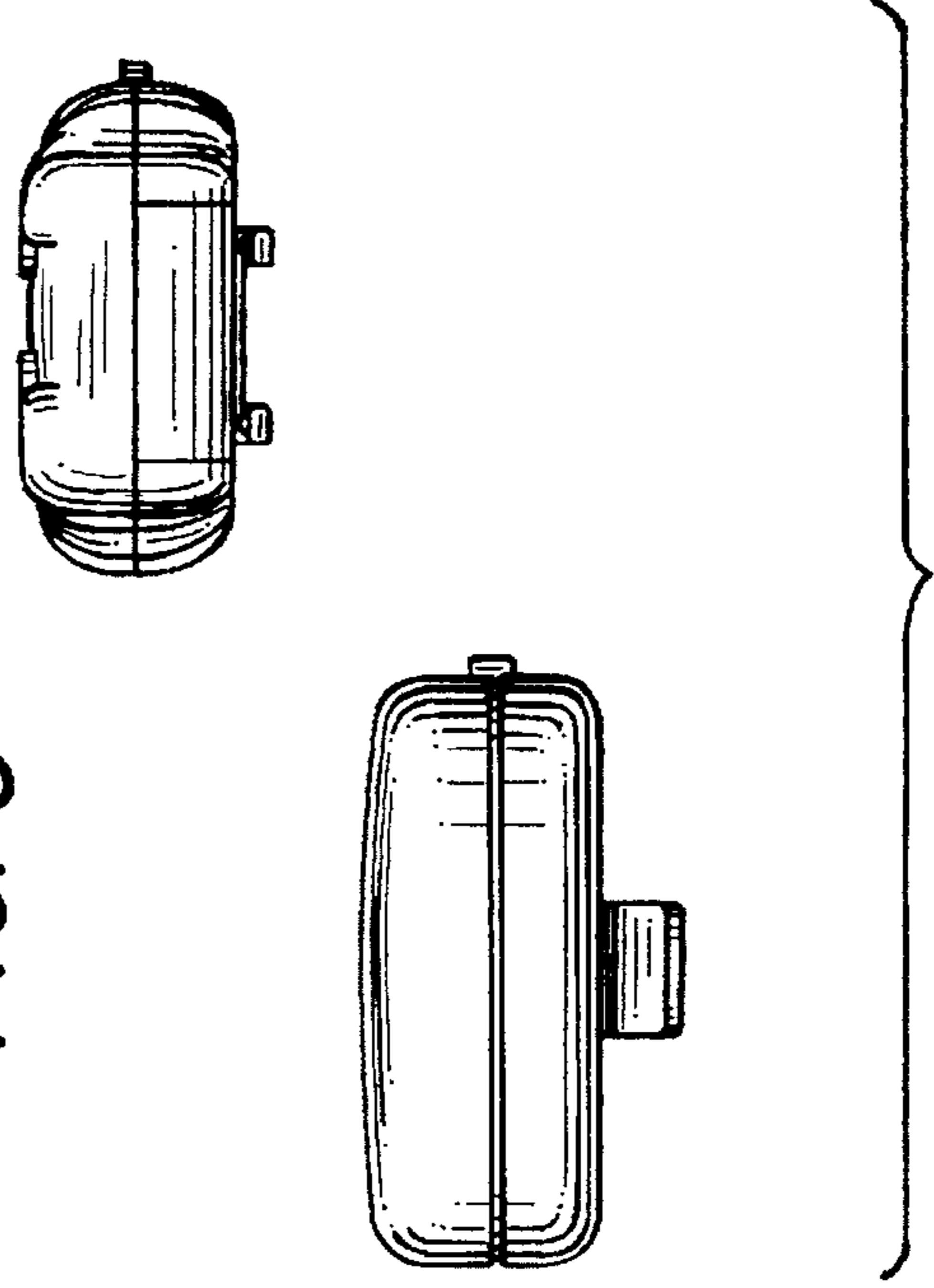


FIG. 4

