



US00D381918S

United States Patent [19]

[11] Patent Number: Des. 381,918

Otto

[45] Date of Patent: **Aug. 5, 1997

[54] MOVIE REEL CLOCK

Primary Examiner—Nelson C. Holtje
Attorney, Agent, or Firm—James E. Brunton

[76] Inventor: Michael Otto, 33241 Chamizo Calle,
Aqua Dulce, Calif. 91350

[57] CLAIM

[**] Term: 14 Years

The ornamental design for a "movie reel clock", as shown.

[21] Appl. No.: 49,104

DESCRIPTION

[22] Filed: Jan. 17, 1996

FIG. 1 is a right front perspective view of a clock showing my new design;

[51] LOC (6) Cl. 10-01

FIG. 2 is a front elevational view thereof;

[52] U.S. Cl. D10/6

FIG. 3 is a top view thereof;

[58] Field of Search D10/1-40, 122-132;
368/276-277, 285, 316-317

FIG. 4 is a right side elevational view thereof;

FIG. 5 is a bottom view thereof;

[56] References Cited

U.S. PATENT DOCUMENTS

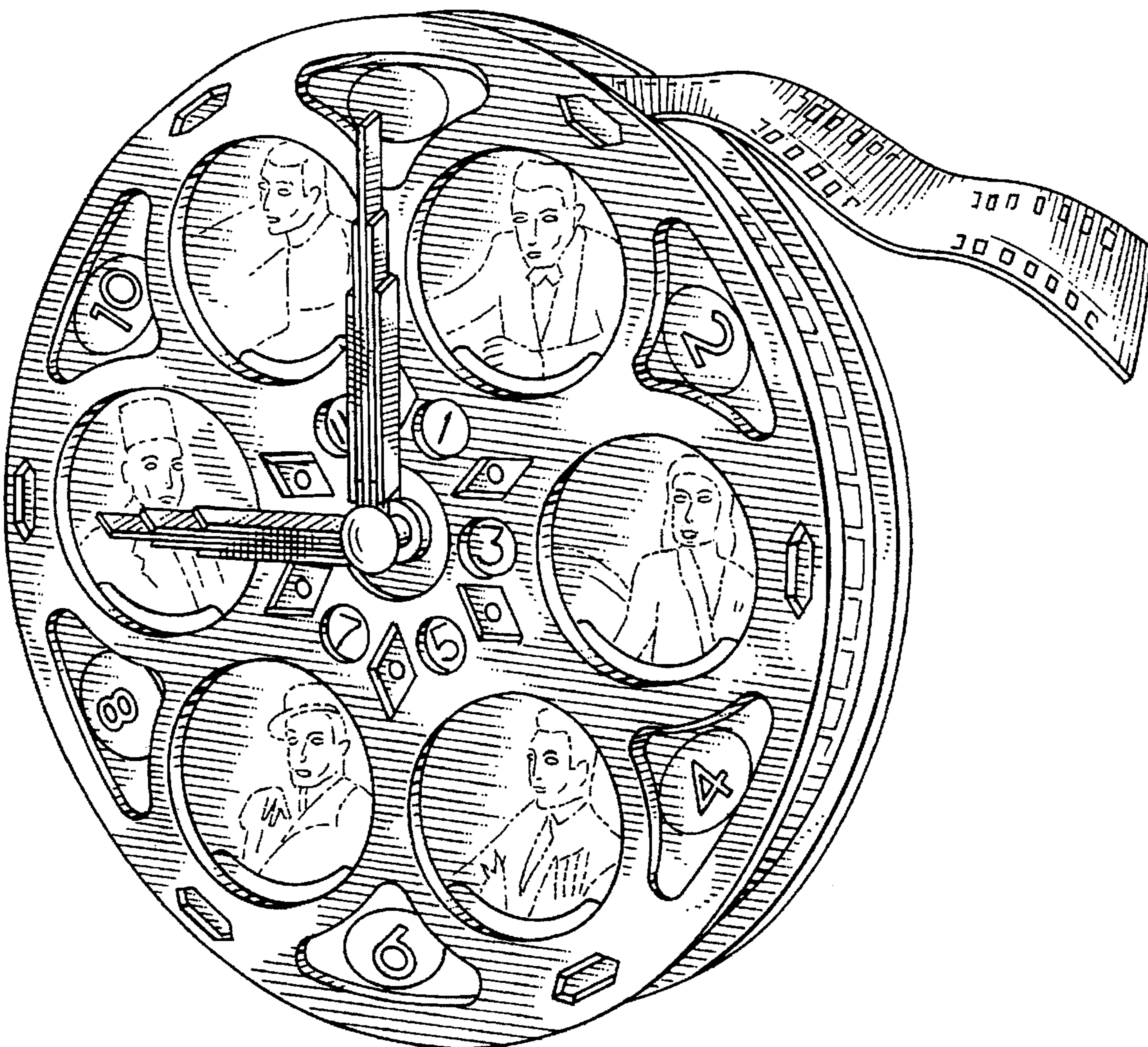
D. 138,559	8/1944	Goldberg	D14/122
D. 187,329	3/1960	Walsh	D14/122
D. 295,262	4/1988	Angell	D10/6
D. 300,806	4/1989	Martin	D10/6

FIG. 6 is a left side elevational view thereof; and,

FIG. 7 is a rear view thereof.

The broken line showings of photographs in FIGS. 1 and 2 are for purposes of illustration of environment only and form no part of the claimed design.

1 Claim, 3 Drawing Sheets



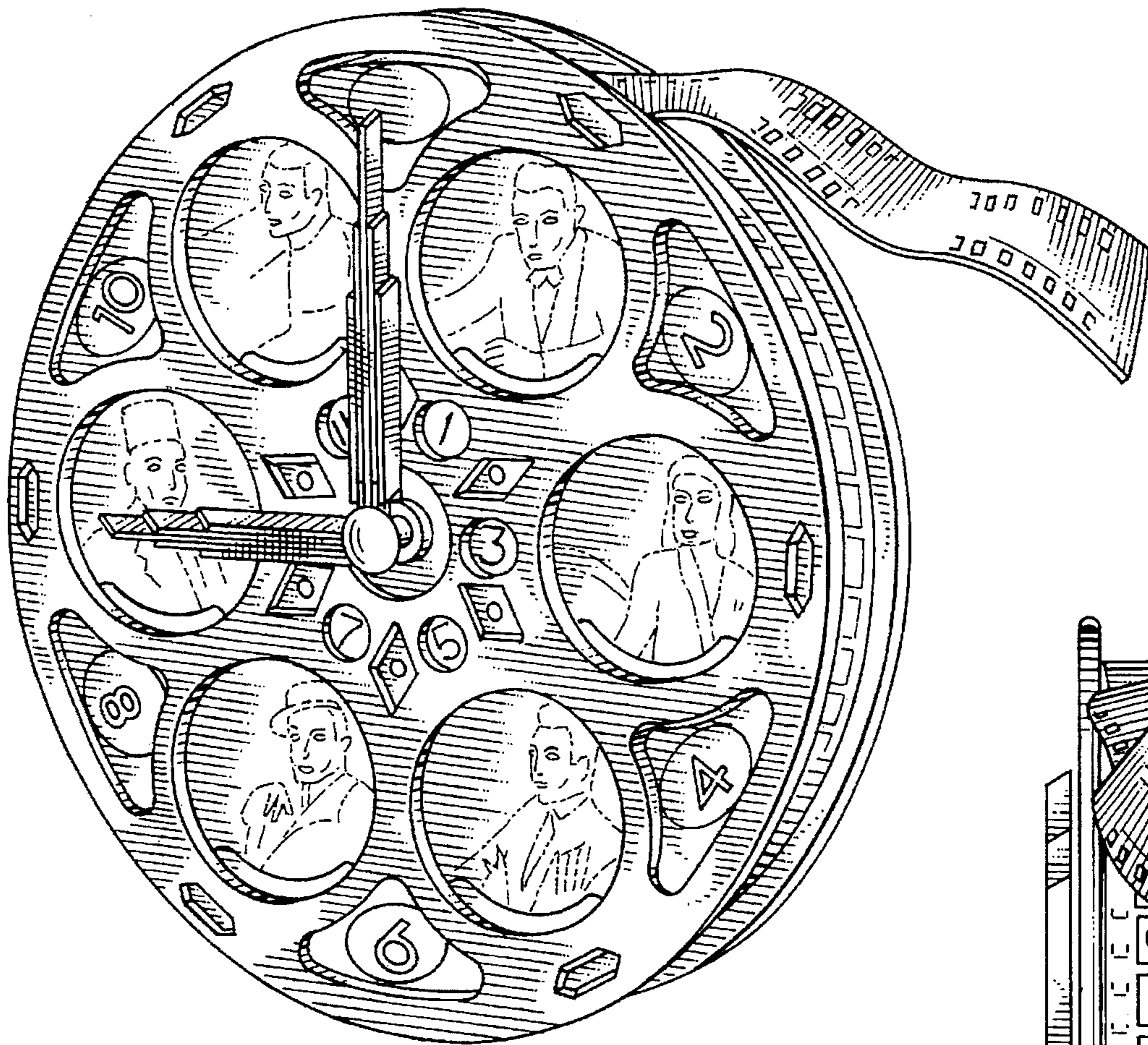


FIG. 1

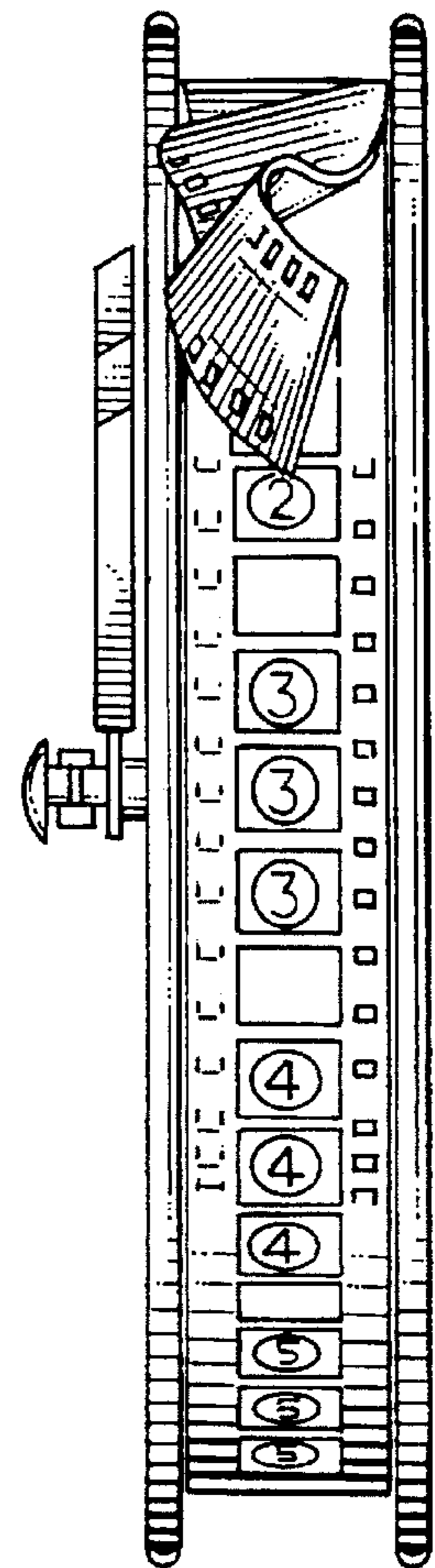
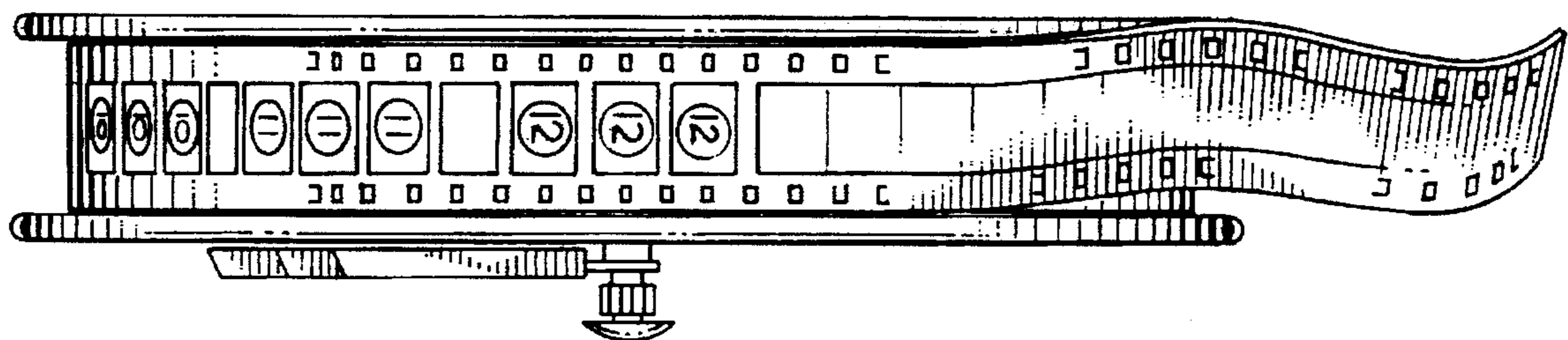


FIG. 4

FIG. 3



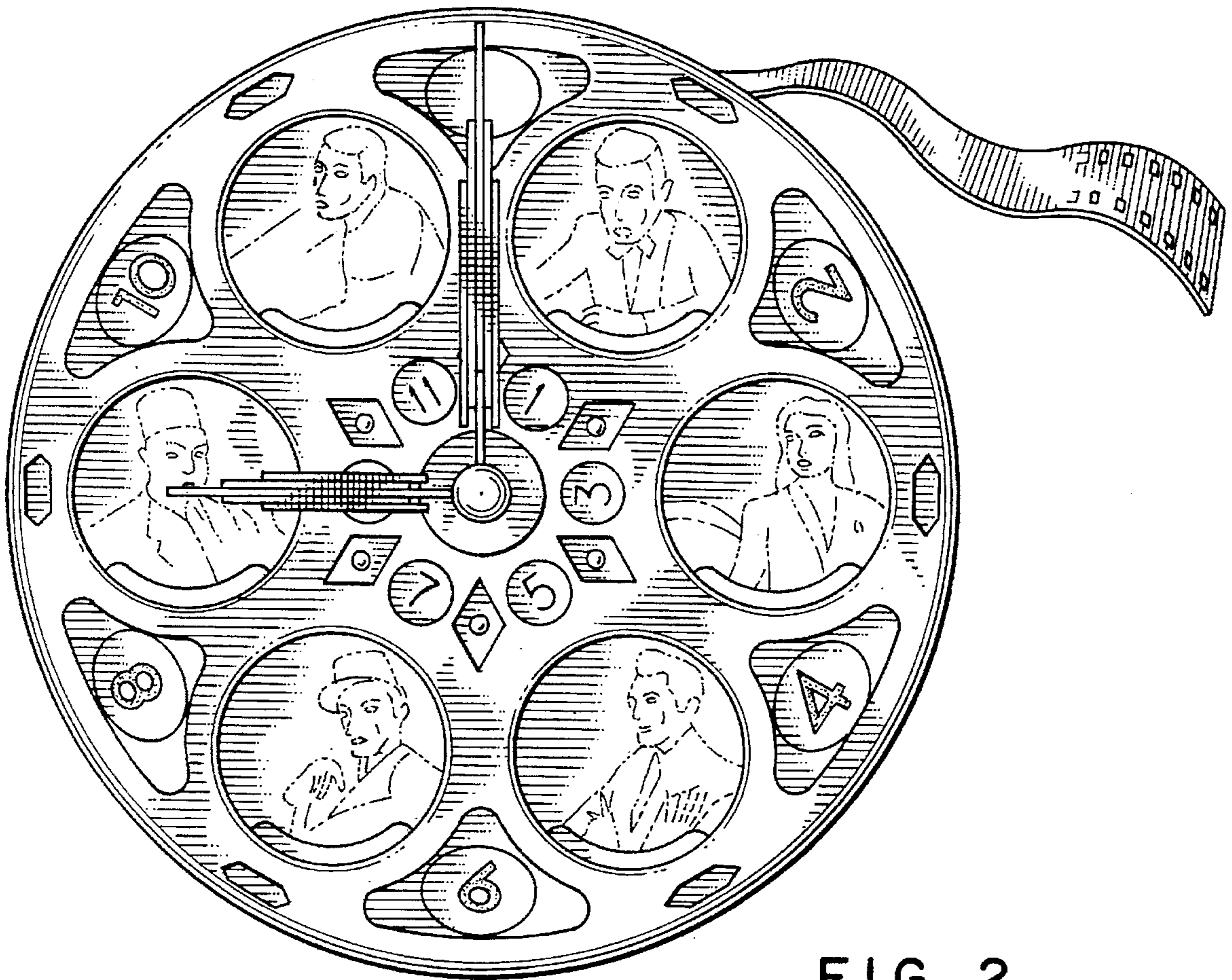


FIG. 2

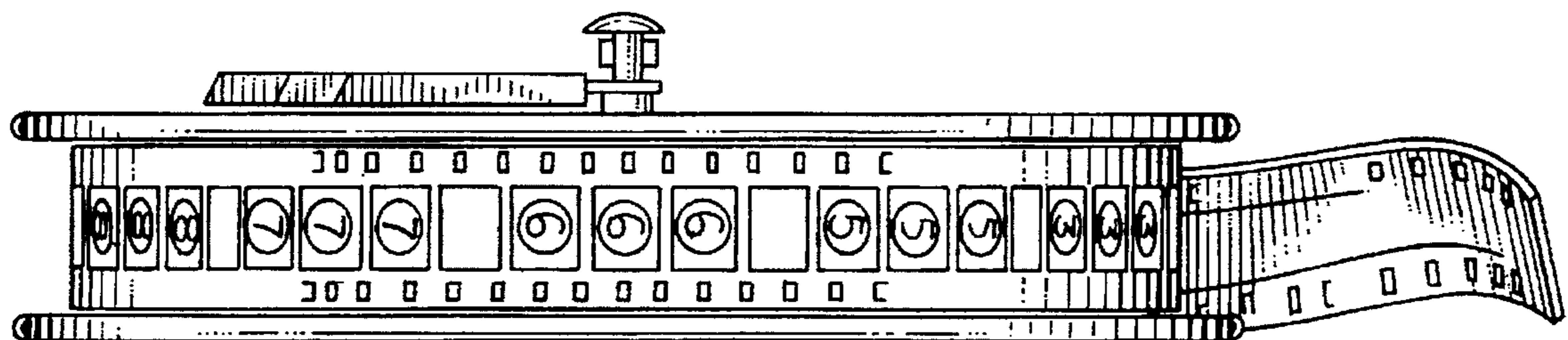


FIG. 5

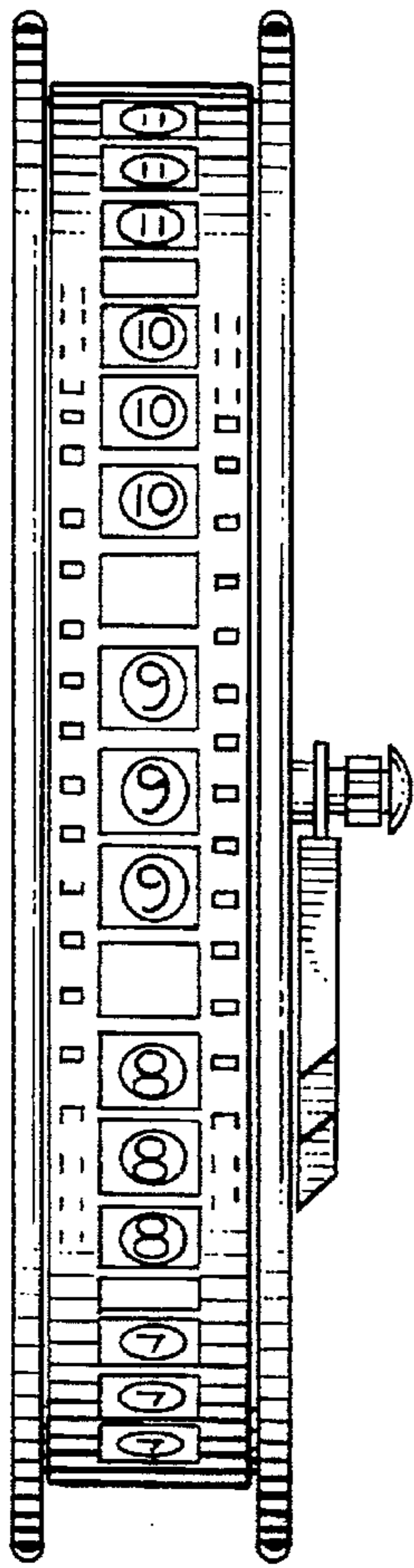


FIG. 6

FIG. 7

