



US00D381917S

United States Patent [19]

McCue et al.

[11] Patent Number: Des. 381,917

[45] Date of Patent: **Aug. 5, 1997

[54] COMPACT DISK CLOCK

[76] Inventors: **Ellie McCue; Dennis McCue**, both of
4136 Redwood Hwy., San Rafael, Calif.
94903

[**] Term: **14 Years**

[21] Appl. No.: **40,239**

[22] Filed: **Jun. 13, 1995**

[51] LOC (6) Cl. **10-01**

[52] U.S. Cl. **D10/6; D10/23**

[58] Field of Search D10/1-40, 122-132;
368/285, 316-317, 276-277, 223, 228,
232; D14/136

[56] References Cited

U.S. PATENT DOCUMENTS

| | | | | |
|------------|--------|---------|-------|----------|
| D. 183,488 | 9/1958 | Horwitt | | D10/30 X |
| D. 244,358 | 5/1977 | Neal | | D10/22 |
| D. 295,262 | 4/1988 | Angell | | D10/6 |
| D. 301,981 | 7/1989 | Song | | D10/6 |

| | | | | |
|------------|---------|------------|-------|---------|
| D. 304,429 | 11/1989 | Hirschhorn | | D10/126 |
| D. 339,297 | 9/1993 | Balch | | D10/6 |

OTHER PUBLICATIONS

Hong Kong Enterprise—Jun. 1990—p. 121—C.D. Clock(s)
at bottom-left.

Primary Examiner—Nelson C. Holtje
Attorney, Agent, or Firm—Jack Lo

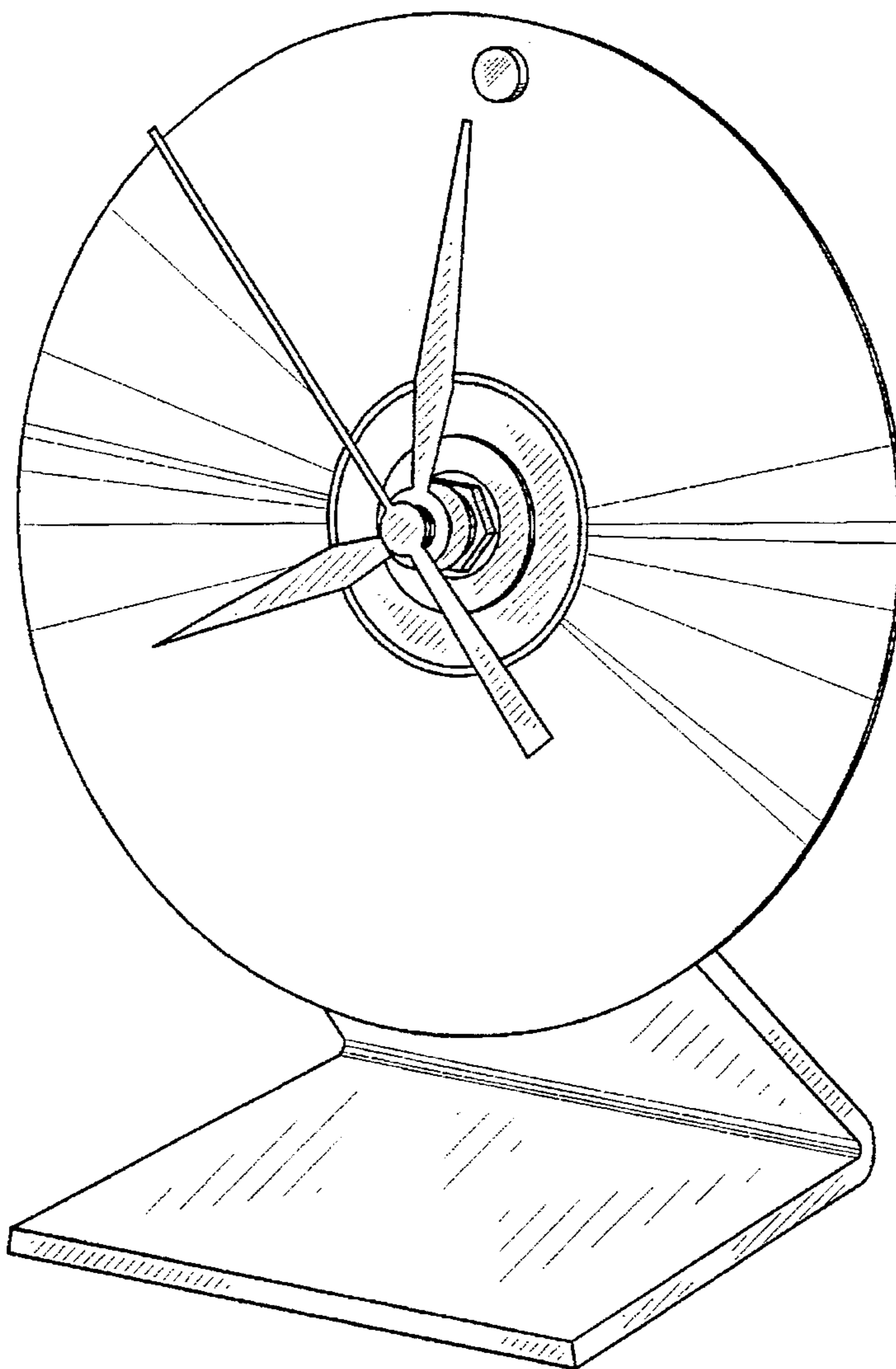
[57] CLAIM

The ornamental design for a compact disk clock, as shown.

DESCRIPTION

FIG. 1 is a front perspective view of a compact disk clock showing our new design;
FIG. 2 is a front view thereof;
FIG. 3 is a rear view thereof;
FIG. 4 is a top side view thereof;
FIG. 5 is a bottom view thereof;
FIG. 6 is a left side view thereof; and,
FIG. 7 is a right side view thereof.

1 Claim, 7 Drawing Sheets



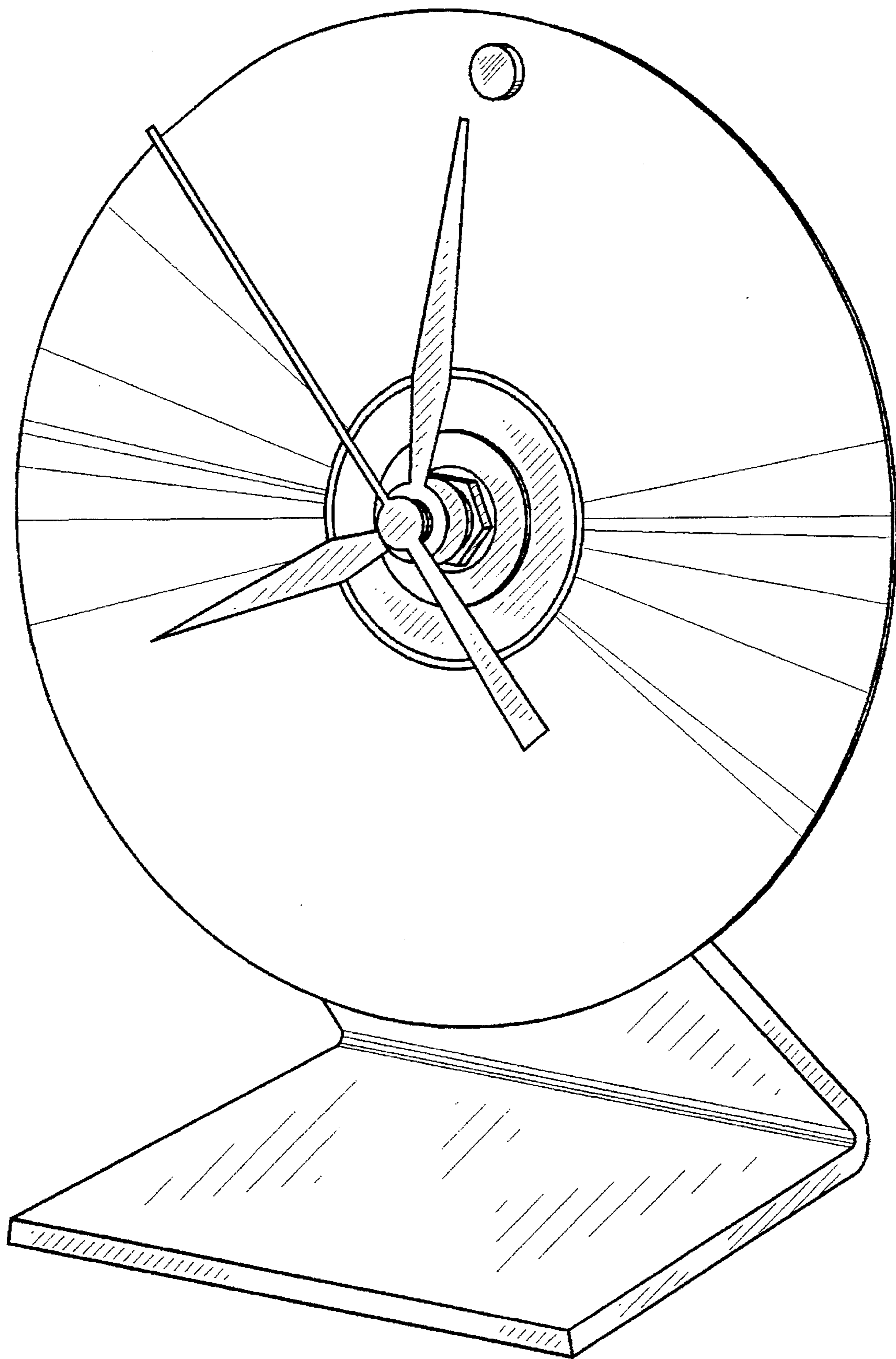


Fig. 1

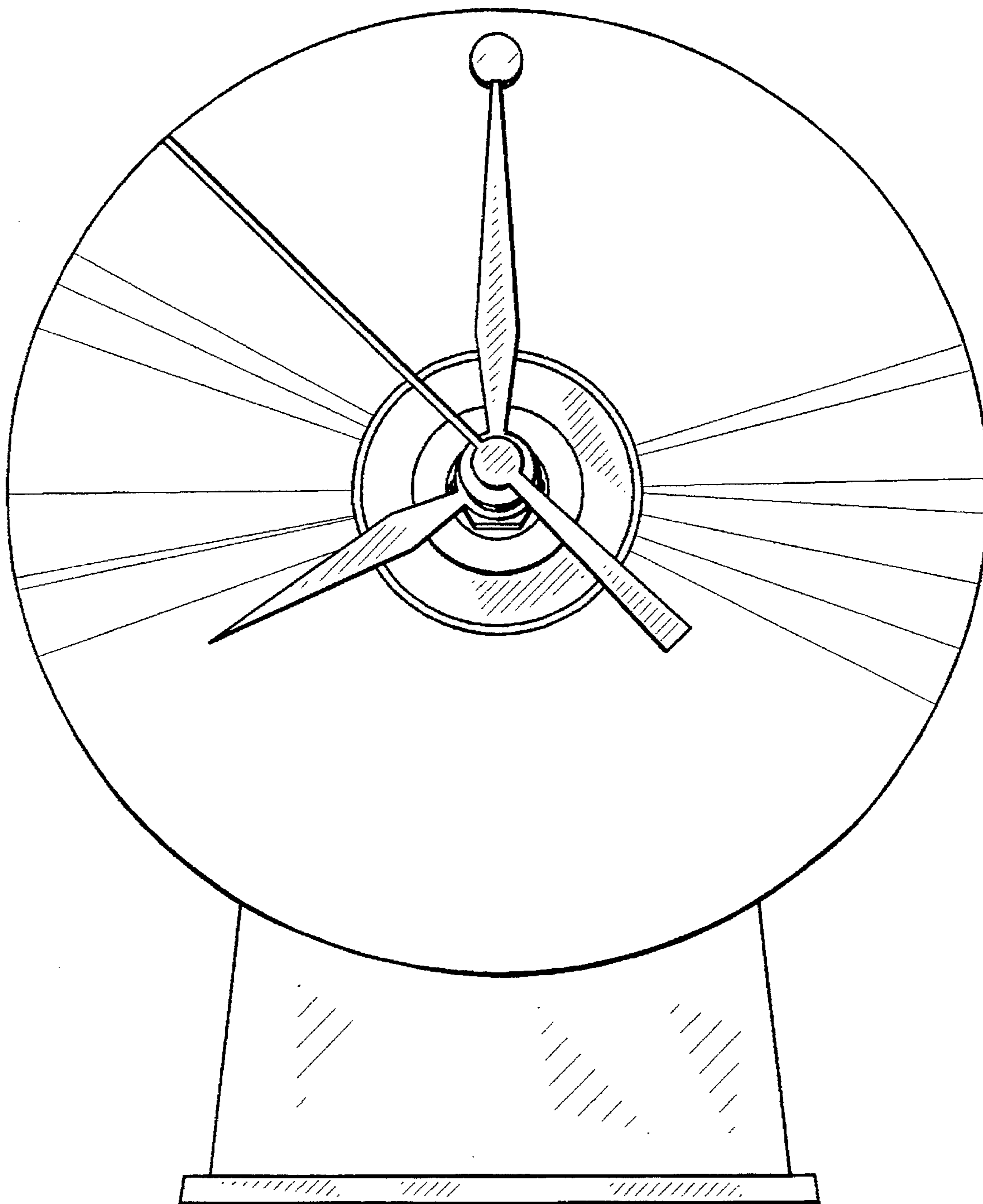


Fig. 2

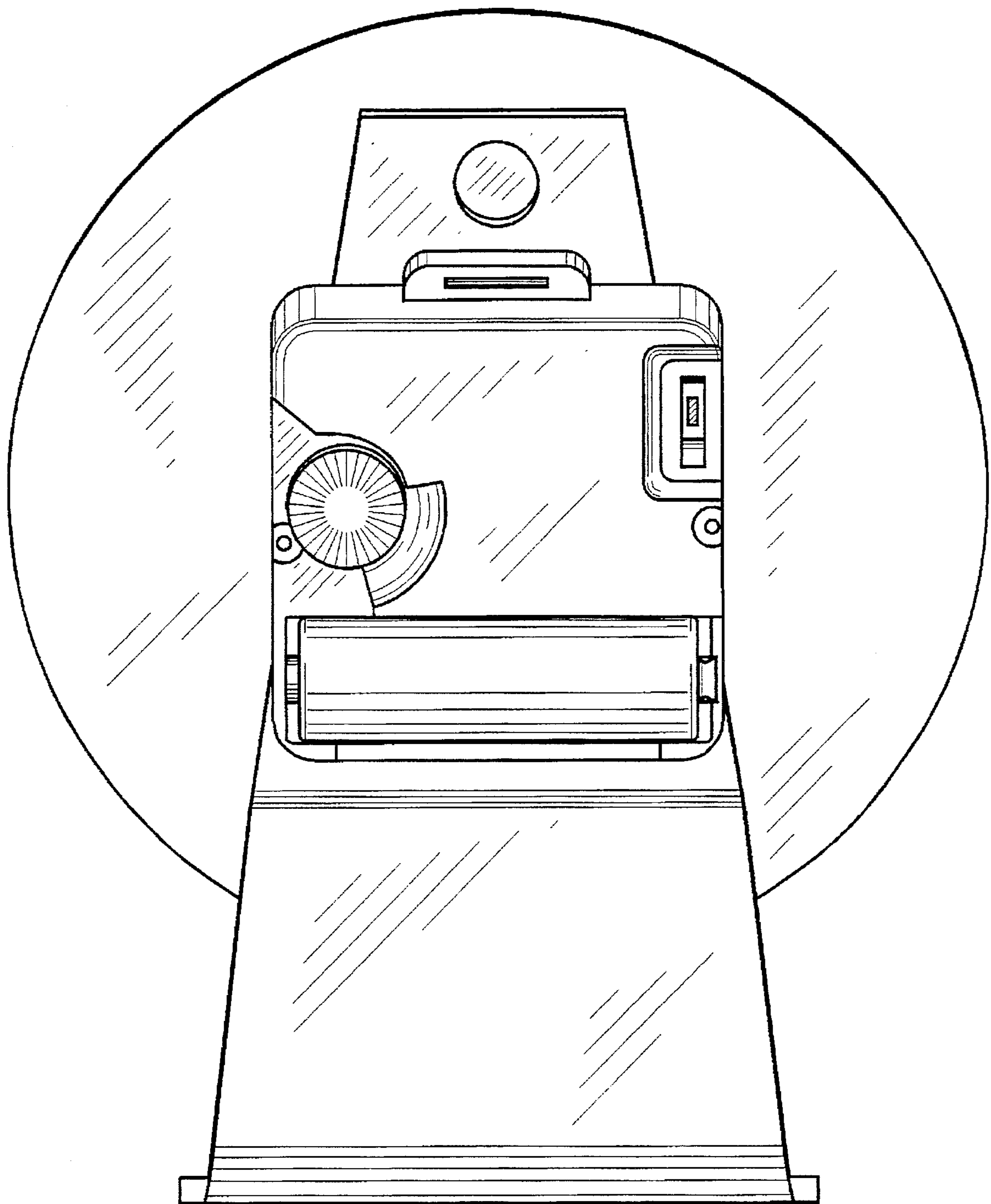


Fig. 3

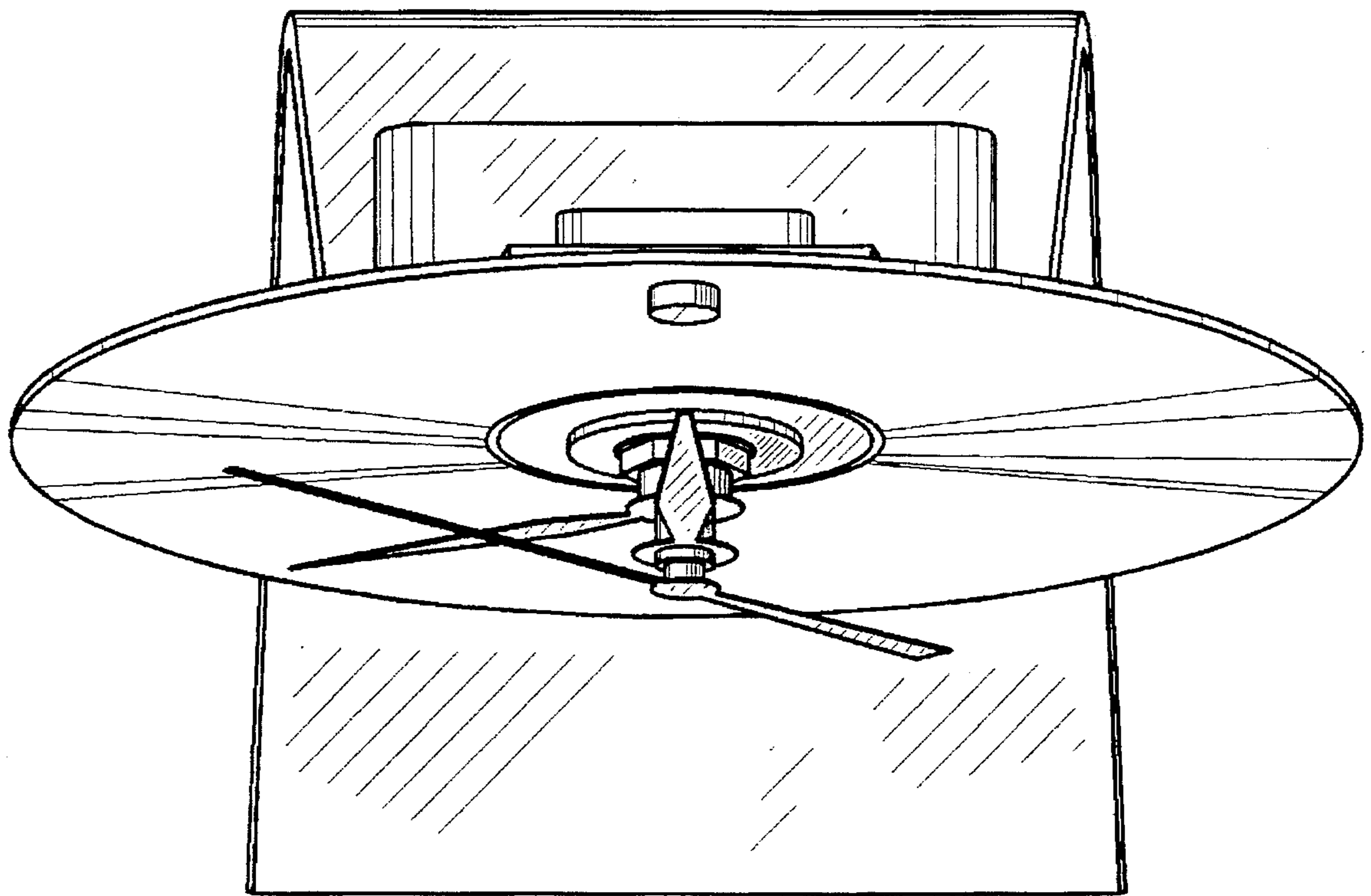


Fig. 4

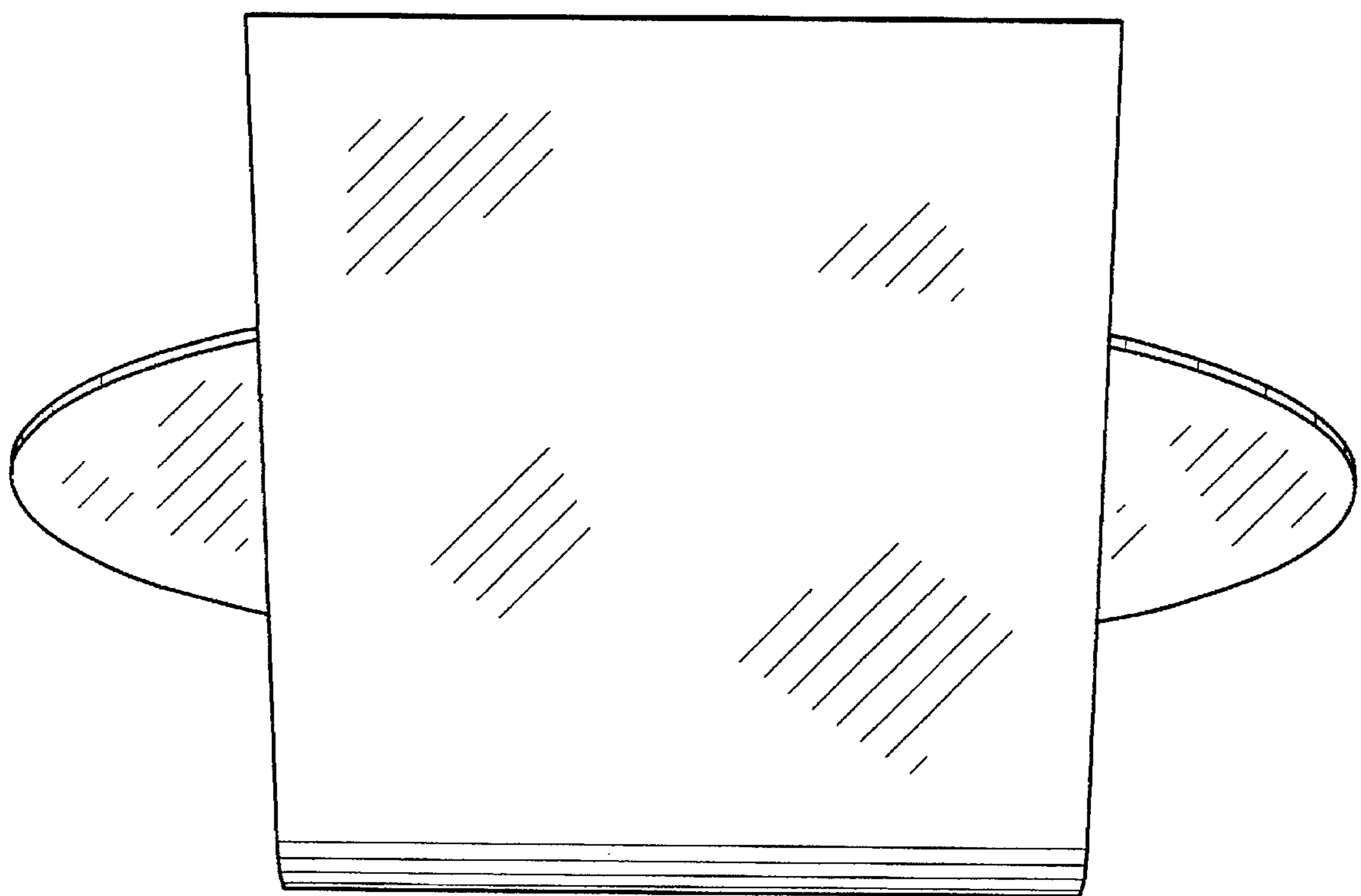


Fig. 5

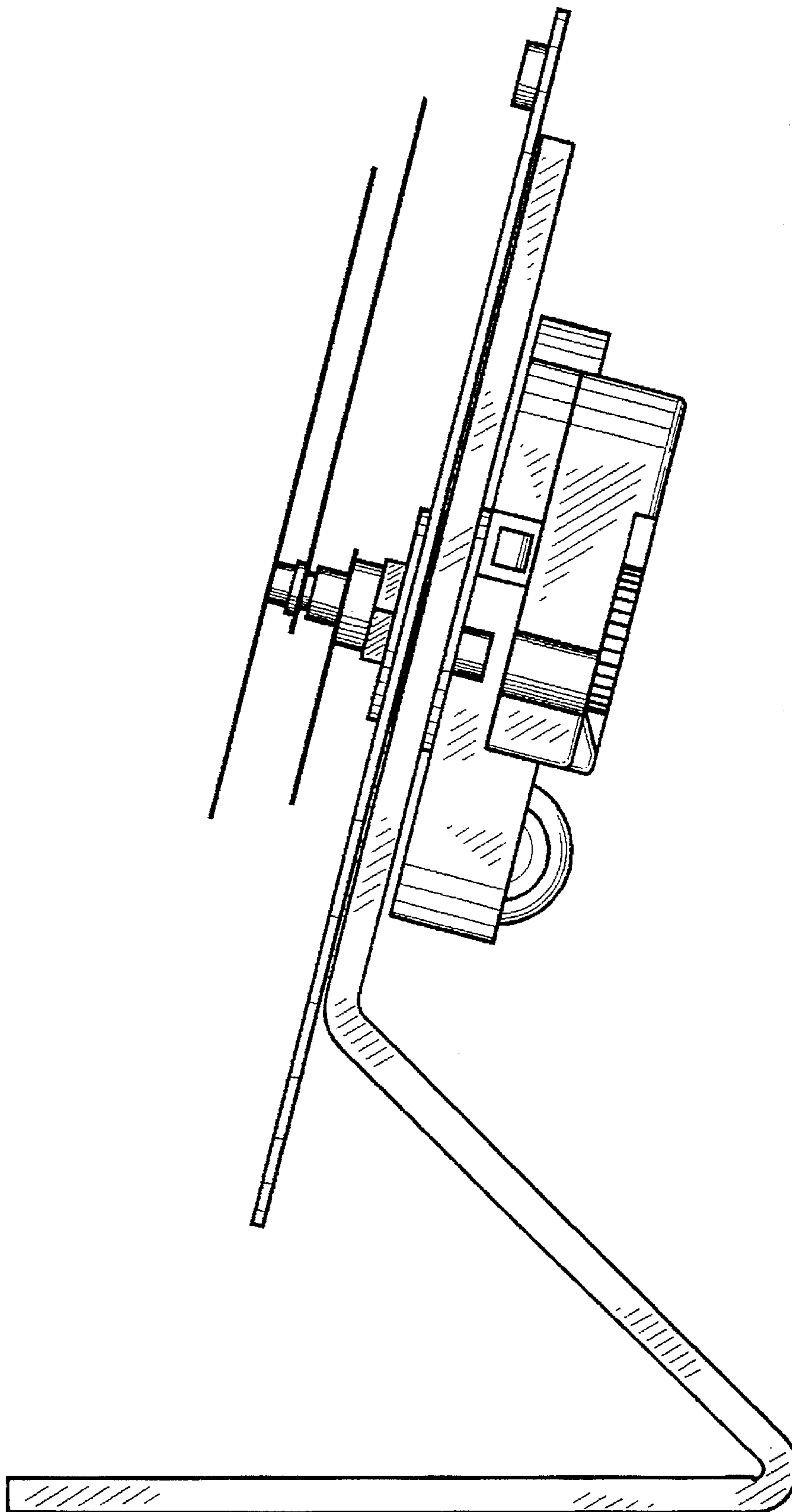


Fig. 6

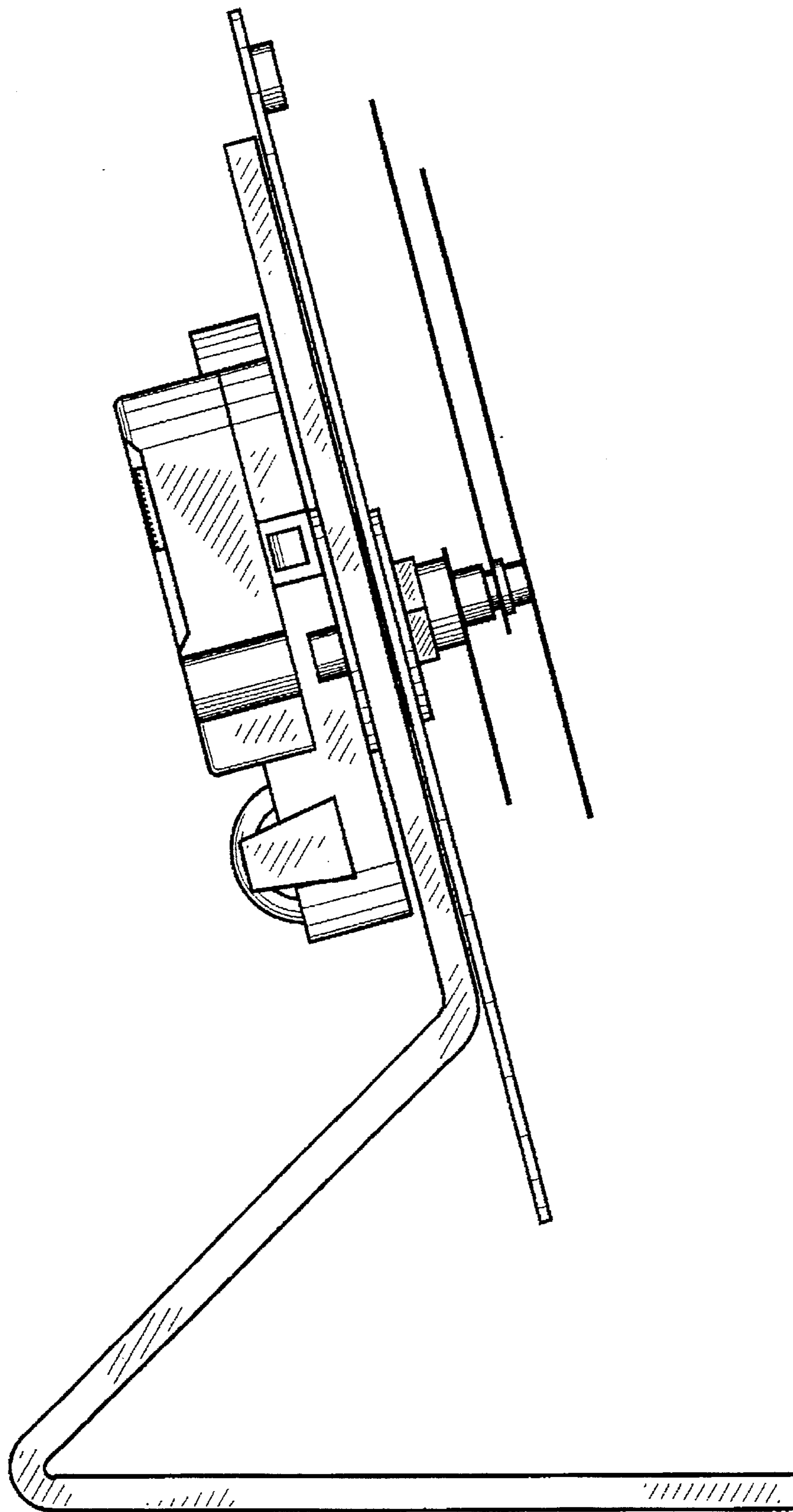


Fig. 7