



US00D381911S

United States Patent [19]

Lathrop et al.

[11] Patent Number: **Des. 381,911**

[45] Date of Patent: ****Aug. 5, 1997**

[54] **BOTTLE CLOSURE**

[75] Inventors: **Gregory Alan Lathrop**, Manchester;
Mark Douglas Gerhart, Westminster;
David Frederic Gnadt, Owings Mills,
all of Md.

[73] Assignee: **Lever Brothers Company, Division of
Conopco, Inc.**, New York, N.Y.

[**] Term: **14 Years**

[21] Appl. No.: **36,981**

[22] Filed: **Mar. 31, 1995**

[51] LOC (6) Cl. **09-07**

[52] U.S. Cl. **D9/453**

[58] Field of Search D9/434, 435, 436,
D9/439, 440, 443, 447, 449, 452, 453,
454, 523, 528; 215/41, 228, 320, 329, 325,
354, 382; 220/288, 306; 222/570

[56] **References Cited**

U.S. PATENT DOCUMENTS

- H803 8/1990 Sherrington D9/435
- D. 196,324 9/1963 Sterges .
- D. 233,825 12/1974 Thomas .
- D. 237,254 10/1975 Kretz .
- D. 247,021 1/1978 Britt .
- D. 248,828 8/1978 Weckman .
- D. 252,556 8/1979 Kretz .
- D. 258,419 3/1981 Wilson et al. .
- D. 268,898 5/1983 Douglas .
- D. 268,902 5/1983 Douglas .
- D. 278,681 5/1985 Prahs .
- D. 280,487 9/1985 Lane et al. .
- D. 280,488 9/1985 Lane et al. .
- D. 283,396 4/1986 Bouthillier .

- D. 289,978 5/1987 Clover, Jr. D9/450 X
- D. 292,489 10/1987 Kowollik et al. .
- D. 292,491 10/1987 Ross et al. .
- D. 292,492 10/1987 Ross et al. D9/453
- D. 293,551 1/1988 Britt .
- D. 293,770 1/1988 Ross et al. D9/453
- D. 296,672 7/1988 Bouthillier D9/436
- D. 304,301 10/1989 Moss et al. D9/436
- D. 305,407 1/1990 Gonda .
- D. 311,134 10/1990 Maes .
- D. 311,135 10/1990 Maes .
- D. 315,497 3/1991 Kamerichs et al. D9/438 X
- D. 354,684 1/1995 Lathrop et al. D9/523
- 2,851,196 9/1958 Livingstone .
- 4,558,862 12/1985 Barker et al. .
- 4,572,384 2/1986 Vesborg .
- 4,706,829 11/1987 Li .
- 4,741,459 5/1988 Silvenis et al. .
- 4,939,152 7/1990 Barr et al. 215/354 X
- 4,974,749 12/1990 Mon .
- 5,458,854 10/1995 Burns 215/354 X
- 5,499,730 3/1996 Harbour 215/382

Primary Examiner—Jeffrey Asch
Attorney, Agent, or Firm—James J. Farrell

[57] **CLAIM**

The ornamental design for a bottle closure, as shown and described.

DESCRIPTION

FIG. 1 is a perspective view of a bottle closure with the opening downward showing our new design;
FIG. 2 is a front elevational view thereof, the undisclosed opposite side being identical;
FIG. 3 is a top plan view thereof;
FIG. 4 is a bottom plan view thereof; and,
FIG. 5 is a perspective view with the openings upwards.

1 Claim, 1 Drawing Sheet

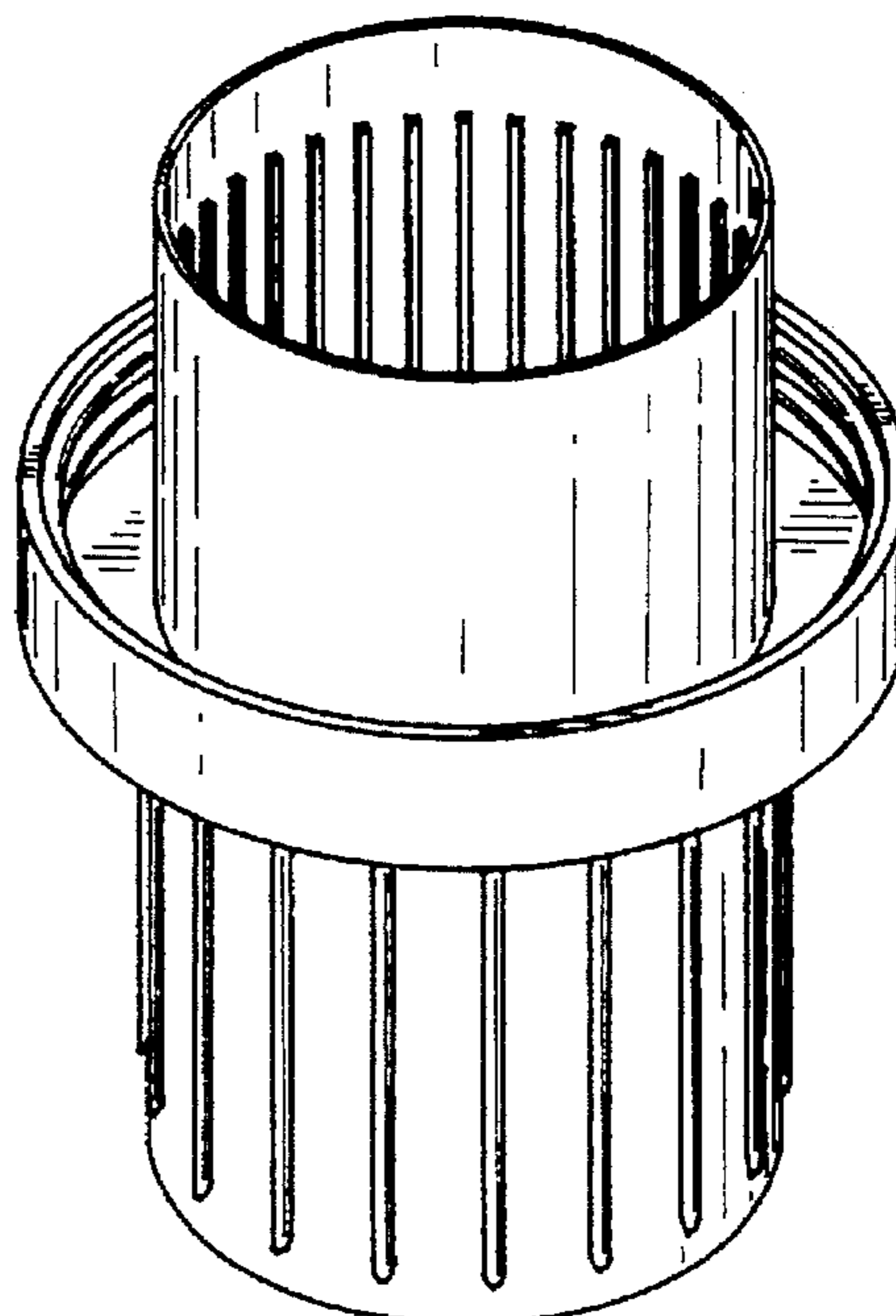
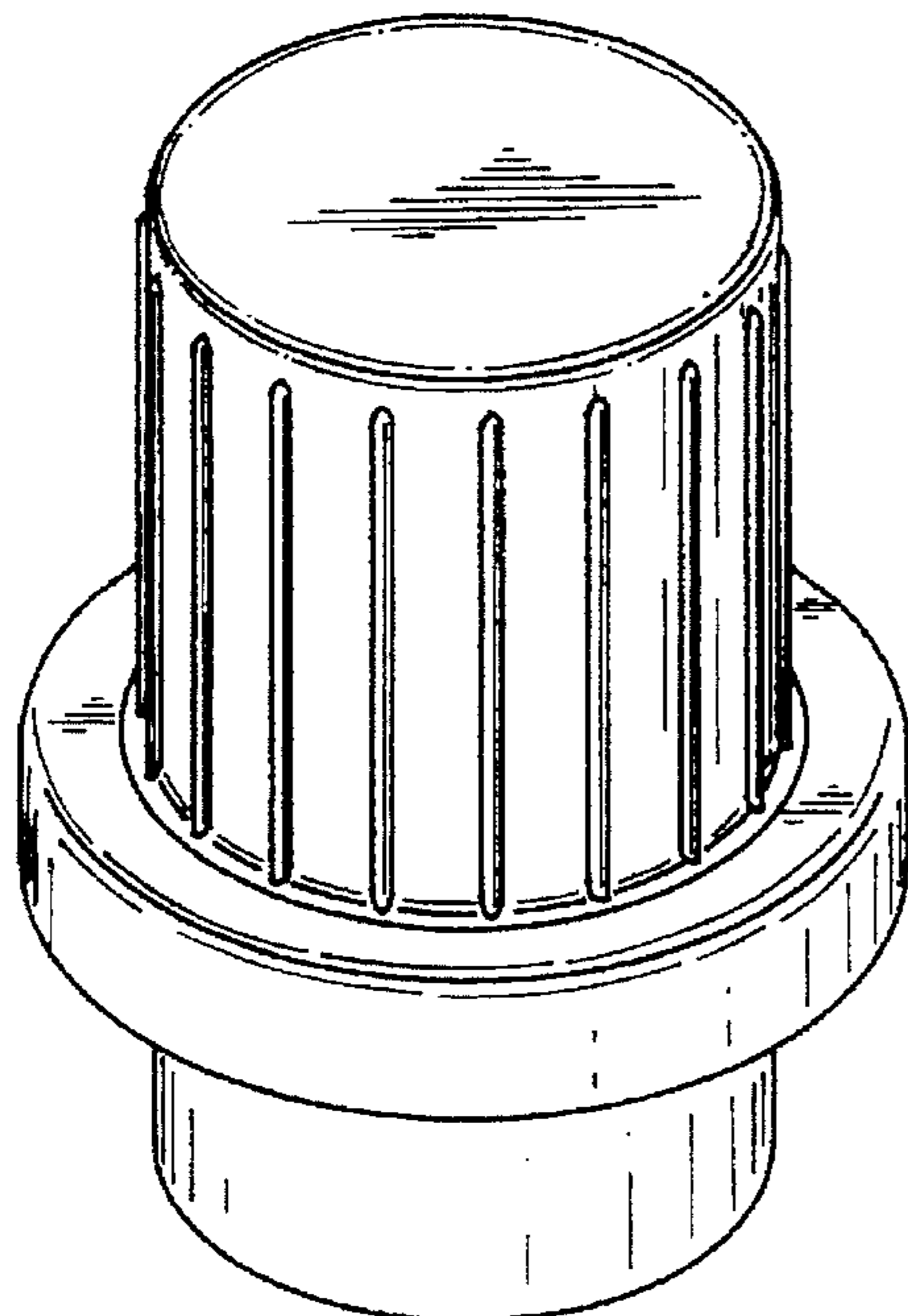


FIG. 1

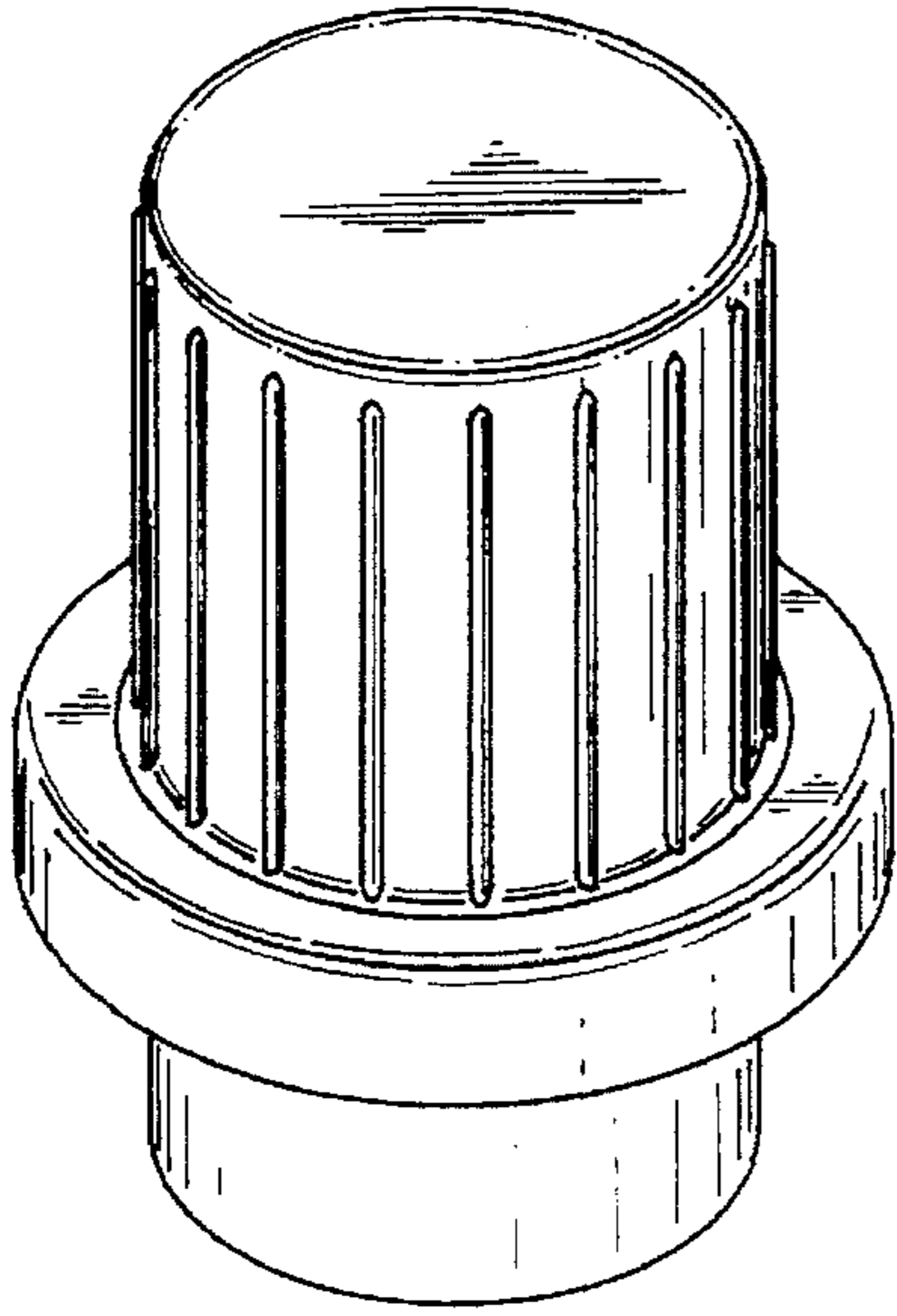


FIG. 2

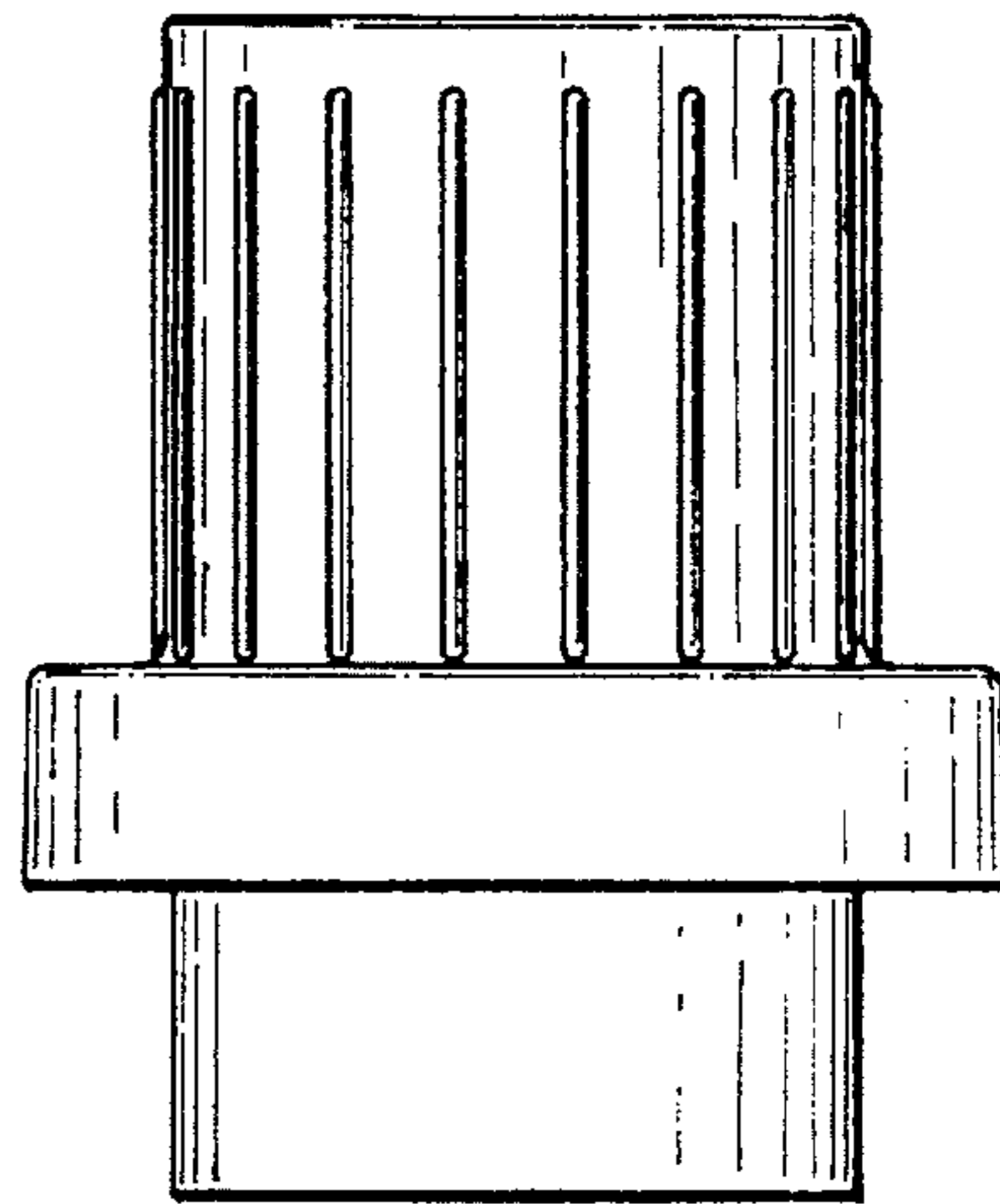


FIG. 3

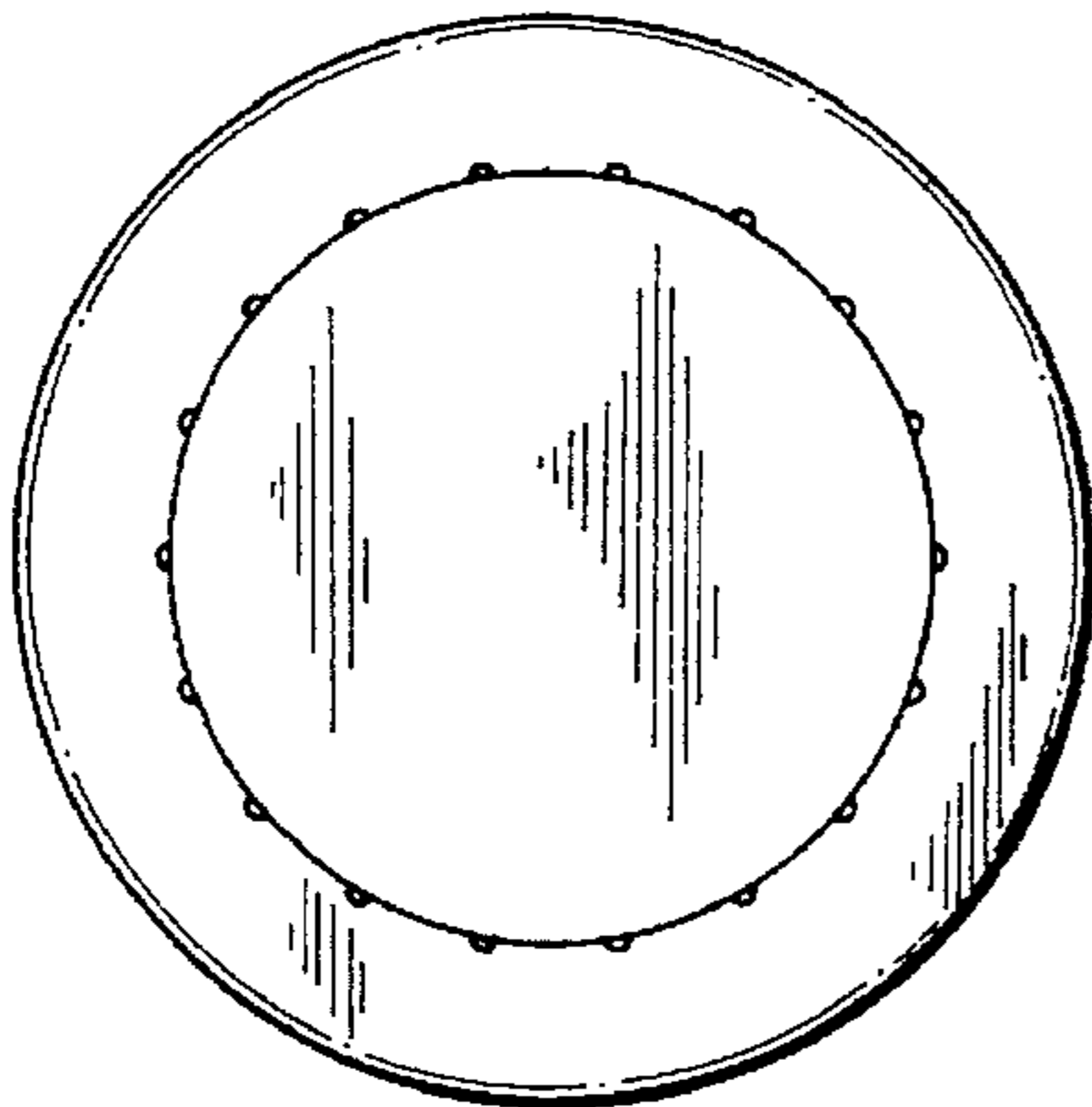


FIG. 4

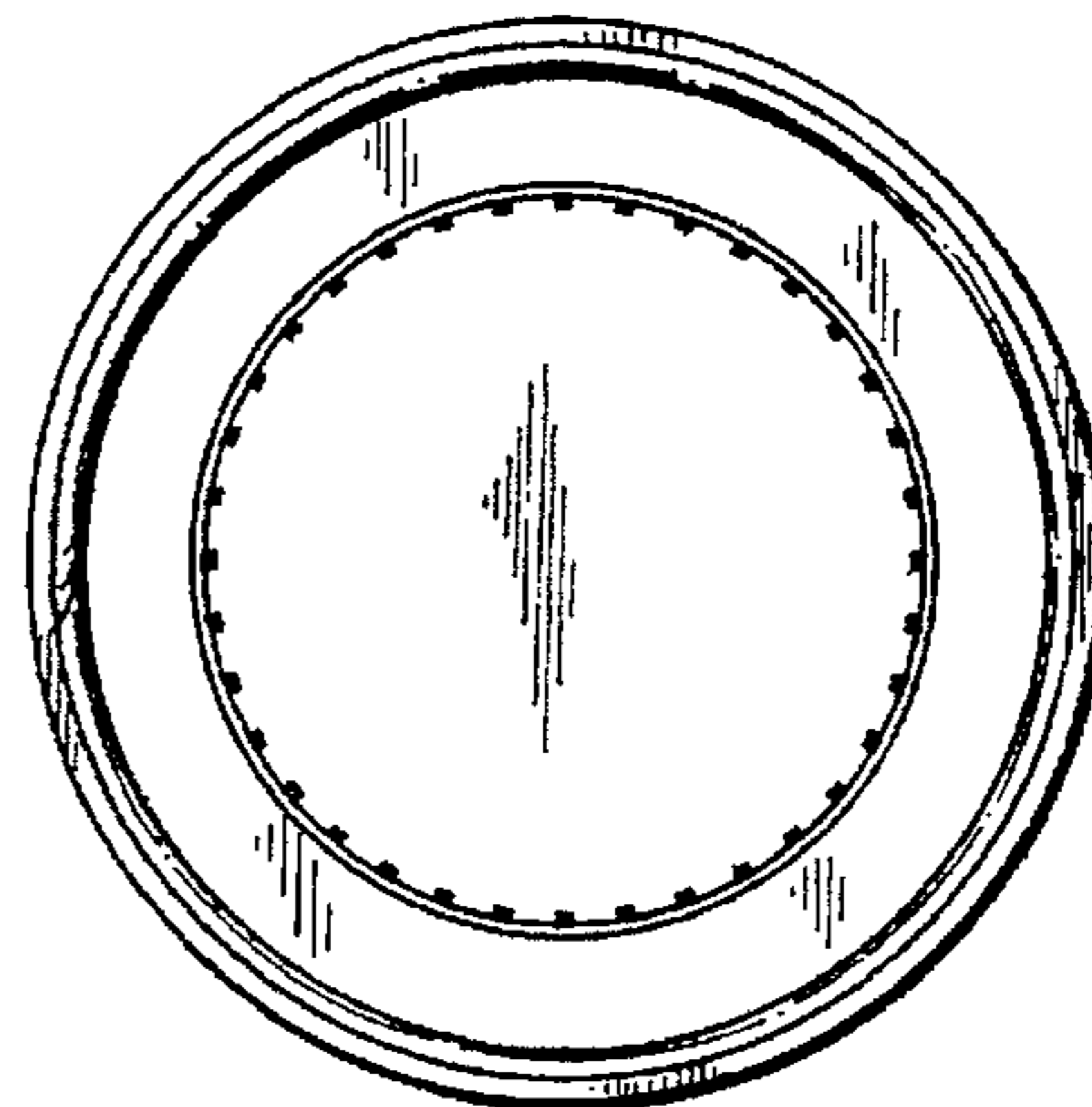


FIG. 5

