



US00D381908S

United States Patent [19] Hotz

[11] Patent Number: **Des. 381,908**

[45] Date of Patent: ****Aug. 5, 1997**

[54] **SPOUT**
[75] Inventor: **Jean-Marie Hotz**, Preles, Switzerland
[73] Assignee: **Tetra Alfa Holdings S.A.**, Pully, Switzerland
[**] Term: **14 Years**
[21] Appl. No.: **23,954**
[22] Filed: **Jun. 6, 1994**

D. 91,630 2/1934 Klein et al. D9/499
D. 259,169 5/1981 Bogner D34/11
3,255,928 6/1966 Foster 215/321
4,669,640 6/1987 Ando et al. 222/569
4,795,065 1/1989 Ashizawa et al. D9/447 X

Primary Examiner—James Gandy
Assistant Examiner—Robert M. Spear
Attorney, Agent, or Firm—Armstrong, Westerman, Hattori, McLeland & Naughton

Related U.S. Application Data

[63] Continuation-in-part of Ser. No. 896,465, Jun. 11, 1992, abandoned .

[30] Foreign Application Priority Data

Dec. 12, 1991 [CH] Switzerland 119496

[51] LOC (6) Cl. **09-07**

[52] U.S. Cl. **D9/447**

[58] Field of Search D9/300, 434-6, D9/440, 444-7, 449, 499; D34/11; 215/317, 321; 220/334, 340, 375, 359; 222/569

[56] References Cited

U.S. PATENT DOCUMENTS

D. 47,182 4/1915 Danziger D9/300

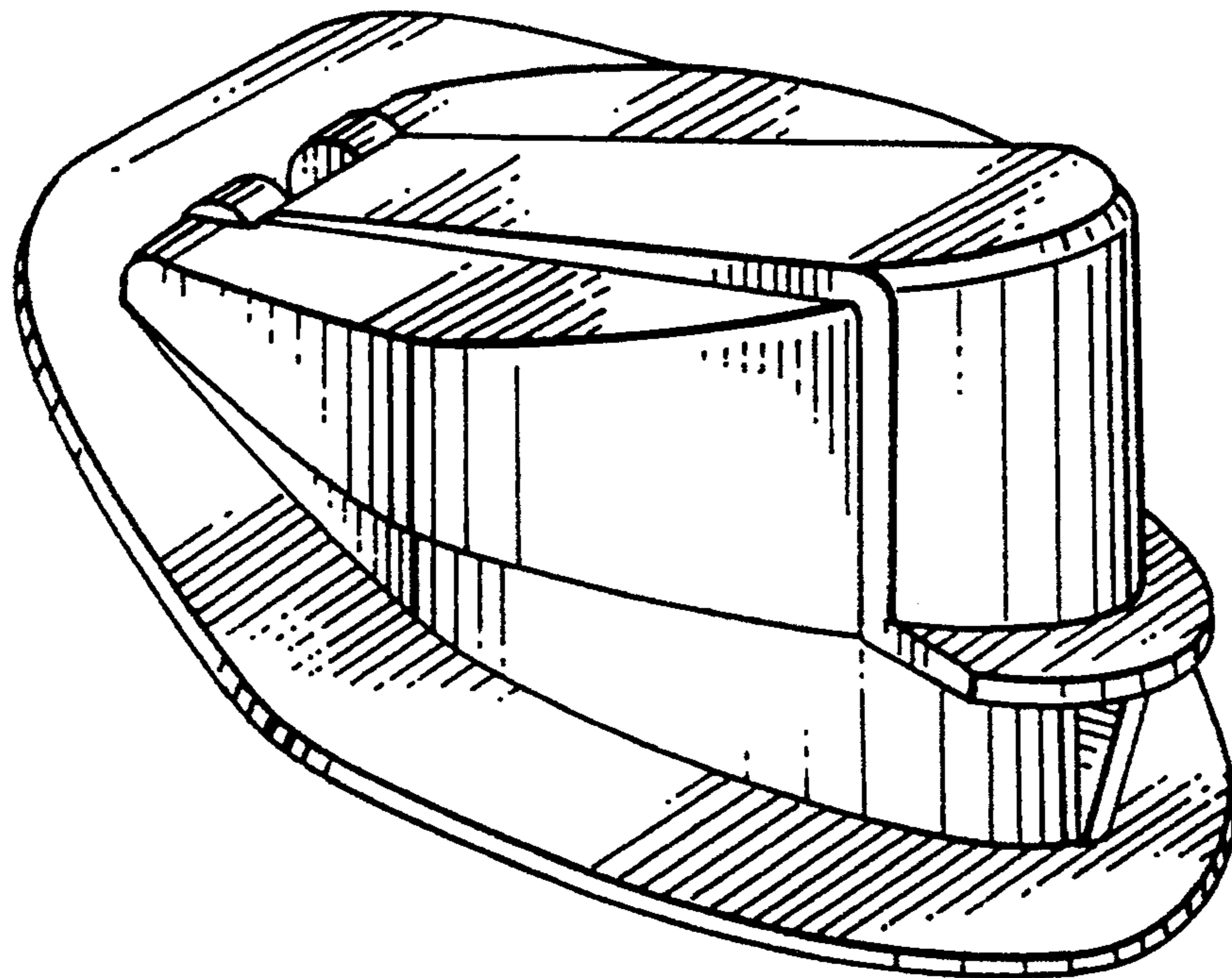
[57] CLAIM

The ornamental design for a spout, as shown and described.

DESCRIPTION

FIG. 1 is a perspective view of a spout showing my new ornamental design;
FIG. 2 is a front view thereof;
FIG. 3 is a back view thereof;
FIG. 4 is a top view thereof;
FIG. 5 is a bottom view thereof; and,
FIG. 6 is a view from the left side thereof taken from the left side of FIG. 1, the view from the right side being a mirror image of FIG. 3.

1 Claim, 3 Drawing Sheets



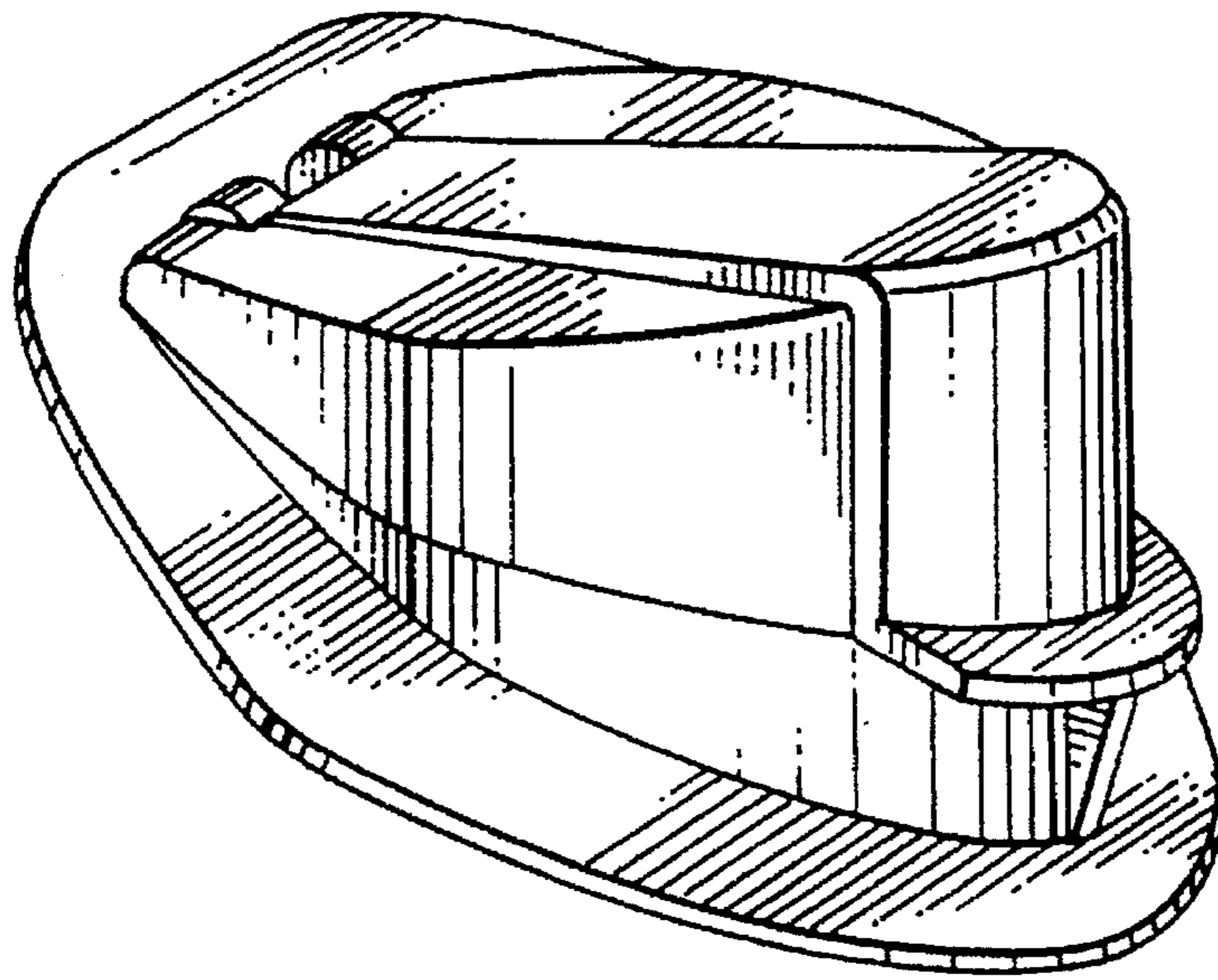


FIG. 1

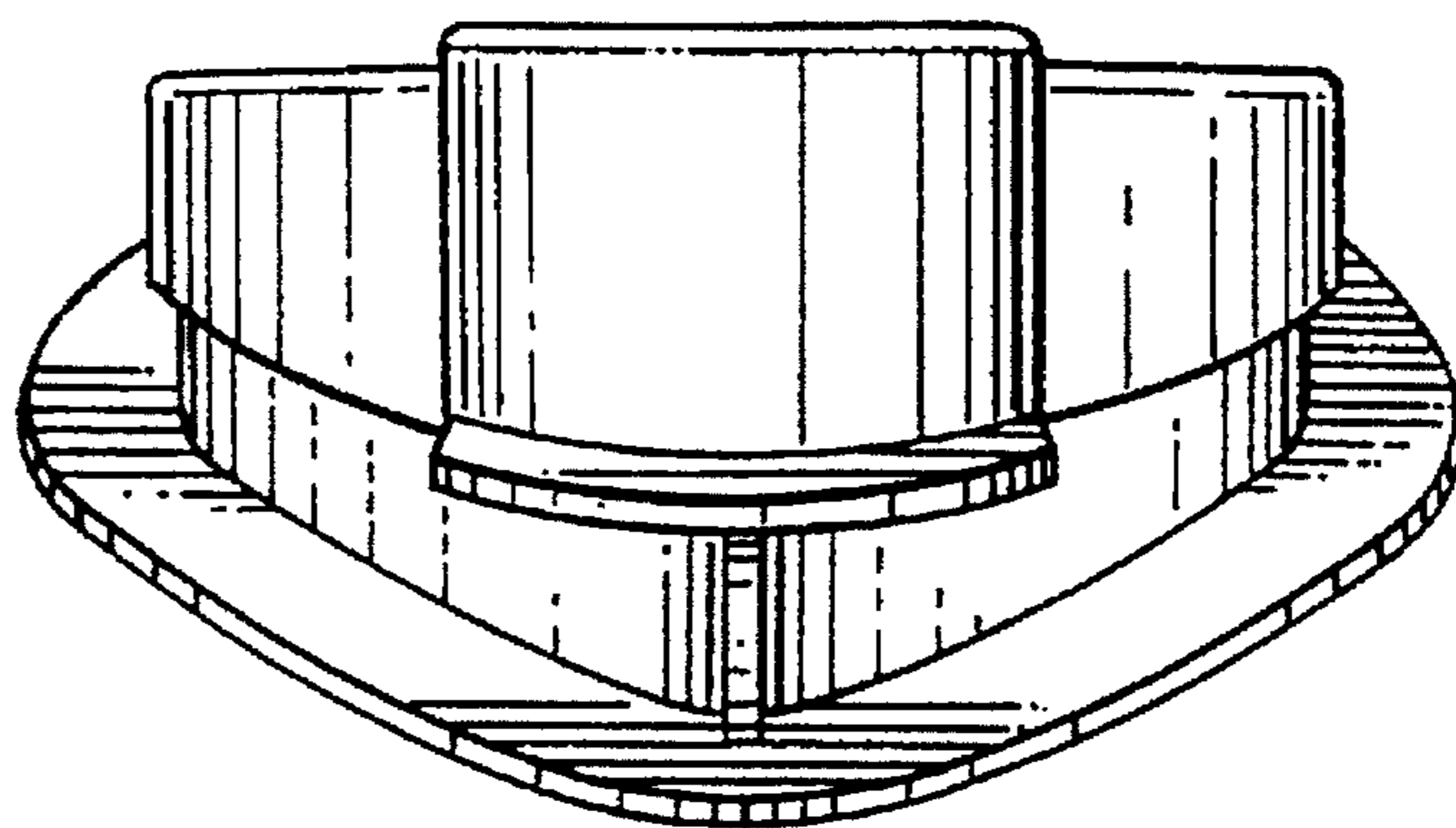


FIG. 2

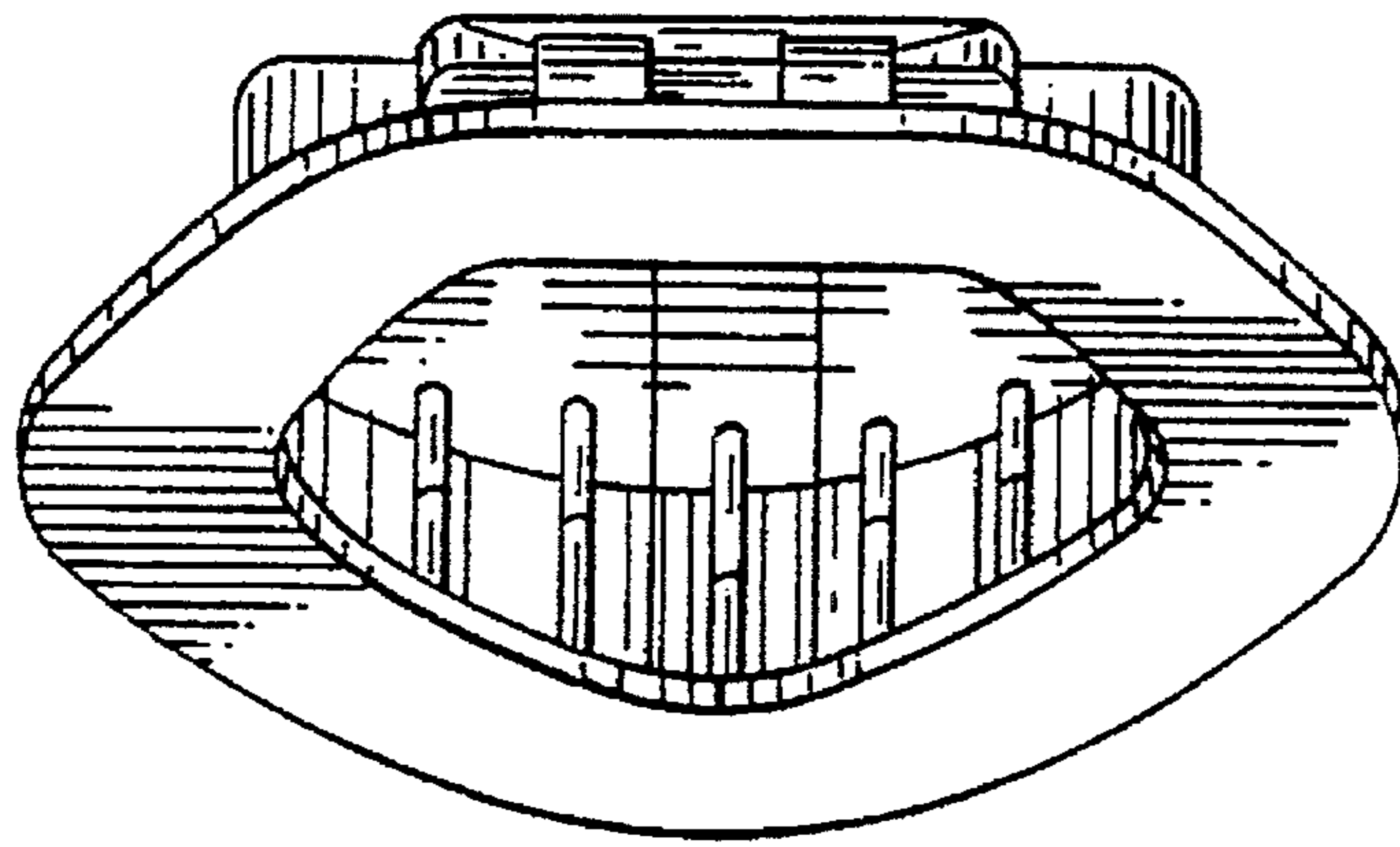


FIG. 3

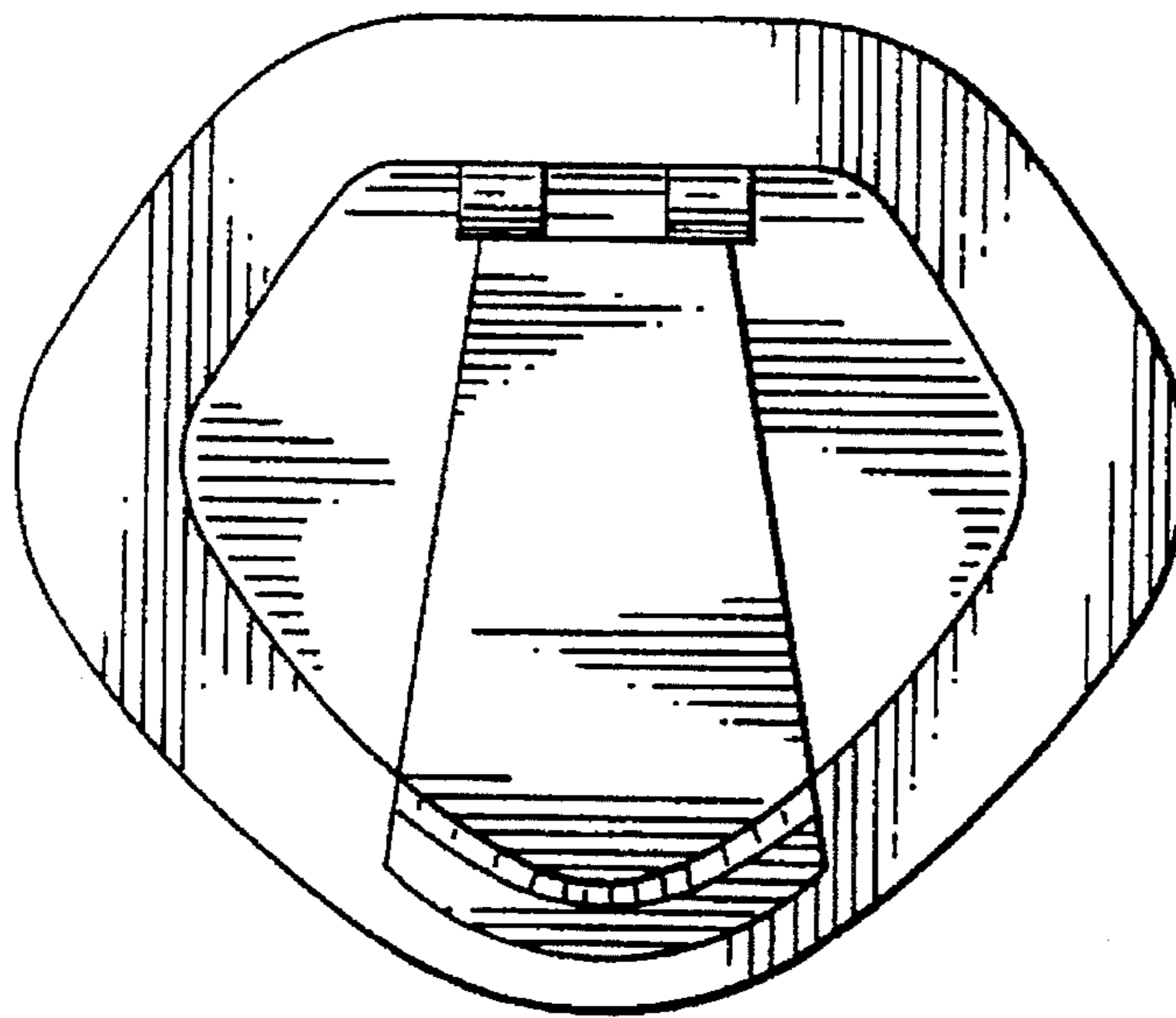


FIG. 4

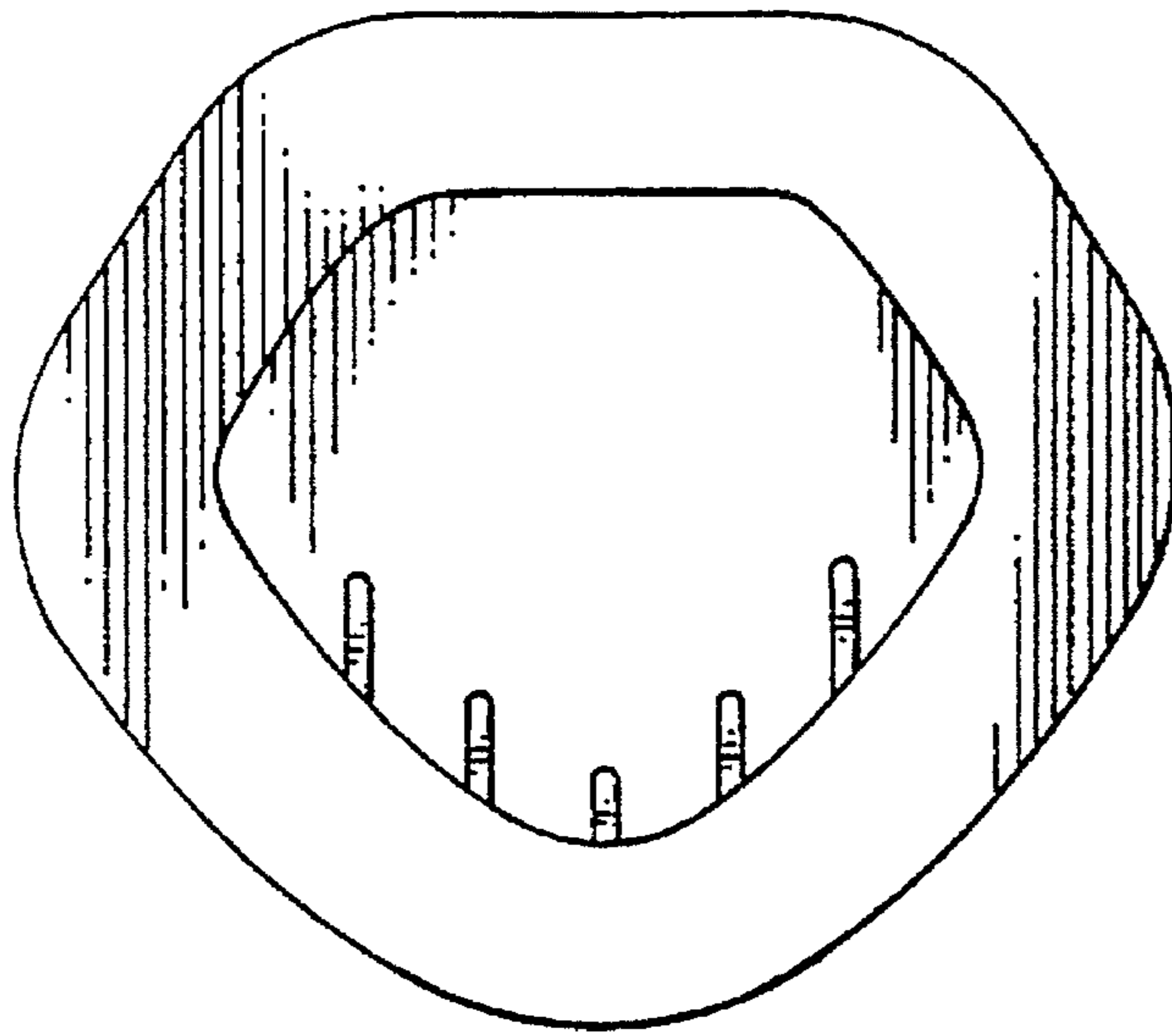


FIG. 5

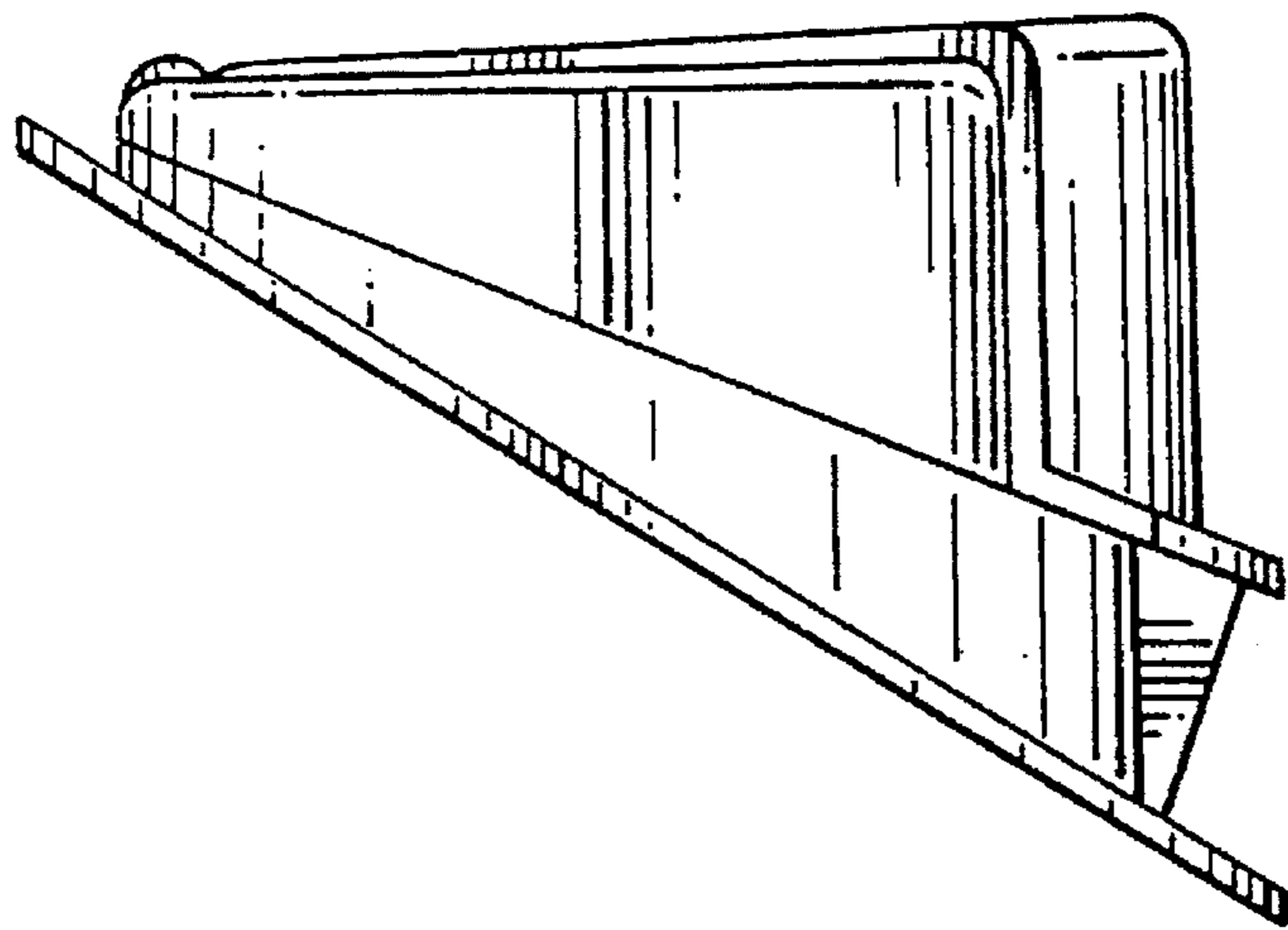


FIG. 6