



US00D381906S

United States Patent [19]

[11] Patent Number: **Des. 381,906**

Bartsch

[45] Date of Patent: ****Aug. 5, 1997**

[54] **BOTTLE CAP**

[75] Inventor: **Eric R. Bartsch**, Cincinnati, Ohio

[73] Assignee: **The Procter & Gamble Company**,
Cincinnati, Ohio

[**] Term: **14 Years**

[21] Appl. No.: **47,941**

[22] Filed: **Dec. 15, 1995**

[51] **LOC (6) Cl.** **09-07**

[52] **U.S. Cl.** **D9/438**

[58] **Field of Search** D9/435, 436, 438,
D9/444, 452-454, 518; 215/252, 254, 256;
220/270, 276

4,385,708 5/1983 Curry 215/256

4,387,818 6/1983 Conti 215/256

4,416,383 11/1983 Frahm et al. 215/256

4,417,666 11/1983 Roberts 215/256

4,484,687 11/1984 Bullock, III 215/256

4,561,553 12/1985 Crisci 215/256

4,577,771 3/1986 Martinez 215/256

4,585,135 4/1986 Sinnott 215/329

4,589,561 5/1986 Crisci 215/256

4,593,830 6/1986 Bullock 215/256

4,658,977 4/1987 Crisci 215/256

4,667,839 5/1987 Crisci 215/256

4,676,389 6/1987 Bullock 215/232

4,678,094 7/1987 Bullock 215/256

4,682,706 7/1987 DeVore et al. 220/276

4,687,114 8/1987 Crisci 215/256

4,691,834 9/1987 Bullock, III 215/232

4,699,285 10/1987 Perne et al. 215/252

4,699,286 10/1987 Nolan 215/256

4,699,287 10/1987 Bullock 215/256

4,700,860 10/1987 Li 215/256

4,759,465 7/1988 Landis 220/276

4,801,032 1/1989 Crisci 215/256

4,815,617 3/1989 Cullum 215/232

4,815,620 3/1989 Bullock, III 215/256

[56] References Cited

U.S. PATENT DOCUMENTS

D. 64,456 4/1924 Karpeles D9/503

D. 248,373 7/1978 Allen D9/438 X

D. 268,394 3/1983 MacEwen D9/454

D. 312,044 11/1990 Davis D9/438

2,864,521 12/1958 Kundert 215/252

2,947,432 8/1960 Marcel 215/41

3,120,900 2/1964 Faulstich 215/46

3,247,994 4/1966 Fuglsand-Madsen et al. 215/41

3,695,475 10/1972 Ruekberg .

3,716,161 2/1973 Julian et al. D9/454 X

3,817,418 6/1974 Mastrovito 215/40

3,860,137 1/1975 Wilson 215/224

3,893,583 7/1975 McLaren 215/256

3,902,621 9/1975 Hidding 215/252

3,904,062 9/1975 Grussen 215/252

3,985,255 10/1976 Blair 215/254

4,037,746 7/1977 Ver Hage .

4,043,475 8/1977 Wheeler 215/223

4,066,180 1/1978 Sanchez 215/254

4,066,182 1/1978 Allen et al. 215/256

4,106,653 8/1978 Martinelli 215/256

4,166,552 9/1979 Faulstich 215/256

4,177,906 12/1979 Von Hagel 215/252

4,202,455 5/1980 Faulstich .

4,209,102 6/1980 Dunn et al. 215/329

4,307,821 12/1981 McIntosh 222/83

4,322,010 3/1982 Curry 215/256

4,342,400 8/1982 Llera 215/256

(List continued on next page.)

Primary Examiner—James Gandy
Assistant Examiner—Cathron B. Matta
Attorney, Agent, or Firm—Michael J. D'Amelio

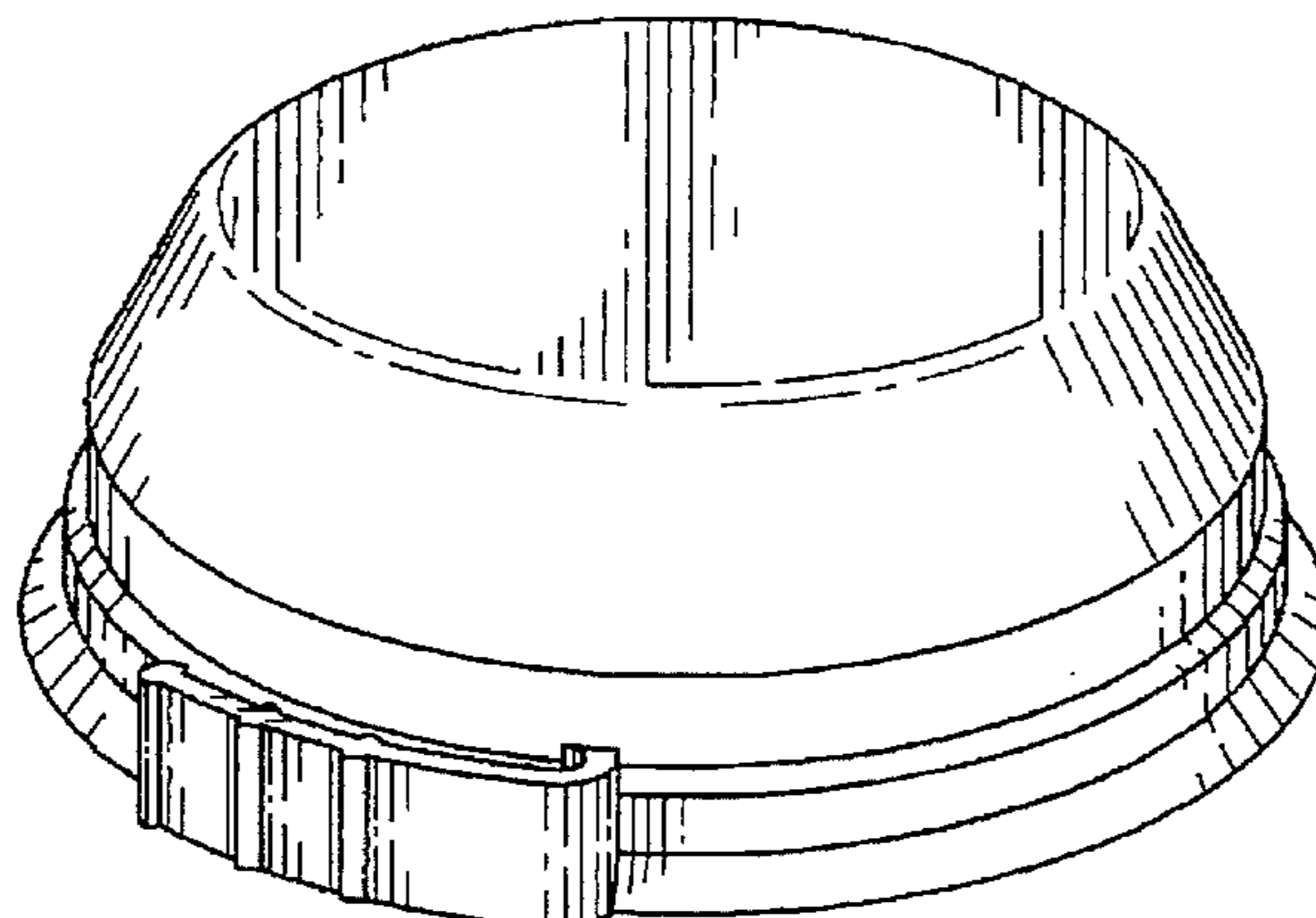
[57] CLAIM

The ornamental design for a bottle cap, as shown and described.

DESCRIPTION

FIG. 1 is a perspective view of a bottle cap embodying our new design;
 FIG. 2 is a top view thereof;
 FIG. 3 is a side view thereof;
 FIG. 4 is a front view thereof;
 FIG. 5 is a rear view thereof; and,
 FIG. 6 is the opposite side view thereof.
 The bottom of the bottle cap forms no part of the claimed design.

1 Claim, 2 Drawing Sheets



U.S. PATENT DOCUMENTS

4,828,128	5/1989	Tackles	215/256	5,092,478	3/1992	La Pierre	215/256
4,844,268	7/1989	Bullock, III	215/256	5,104,008	4/1992	Crisci .	
4,884,707	12/1989	Crisci	215/256	5,143,235	9/1992	Repp	215/256
4,903,849	2/1990	Wallman	215/256	5,207,340	5/1993	Cochrane	215/256
4,934,546	6/1990	Markley	215/256	5,224,616	7/1993	Crisci	215/256
4,966,292	10/1990	Marino	215/256	5,285,912	2/1994	Molinaro	215/256
4,971,213	11/1990	Ishinabe et al.	215/344	5,289,932	3/1994	Dimeo et al.	D9/444 X
5,036,991	8/1991	Wallman	215/256	5,307,945	5/1994	Hidding et al.	215/329
5,046,632	9/1991	Bordner	220/276	5,373,955	12/1994	Marino	215/256
5,050,754	9/1991	Marino	215/256	5,395,003	3/1995	Matsuda	220/270
				5,456,376	10/1995	Luch et al.	215/256

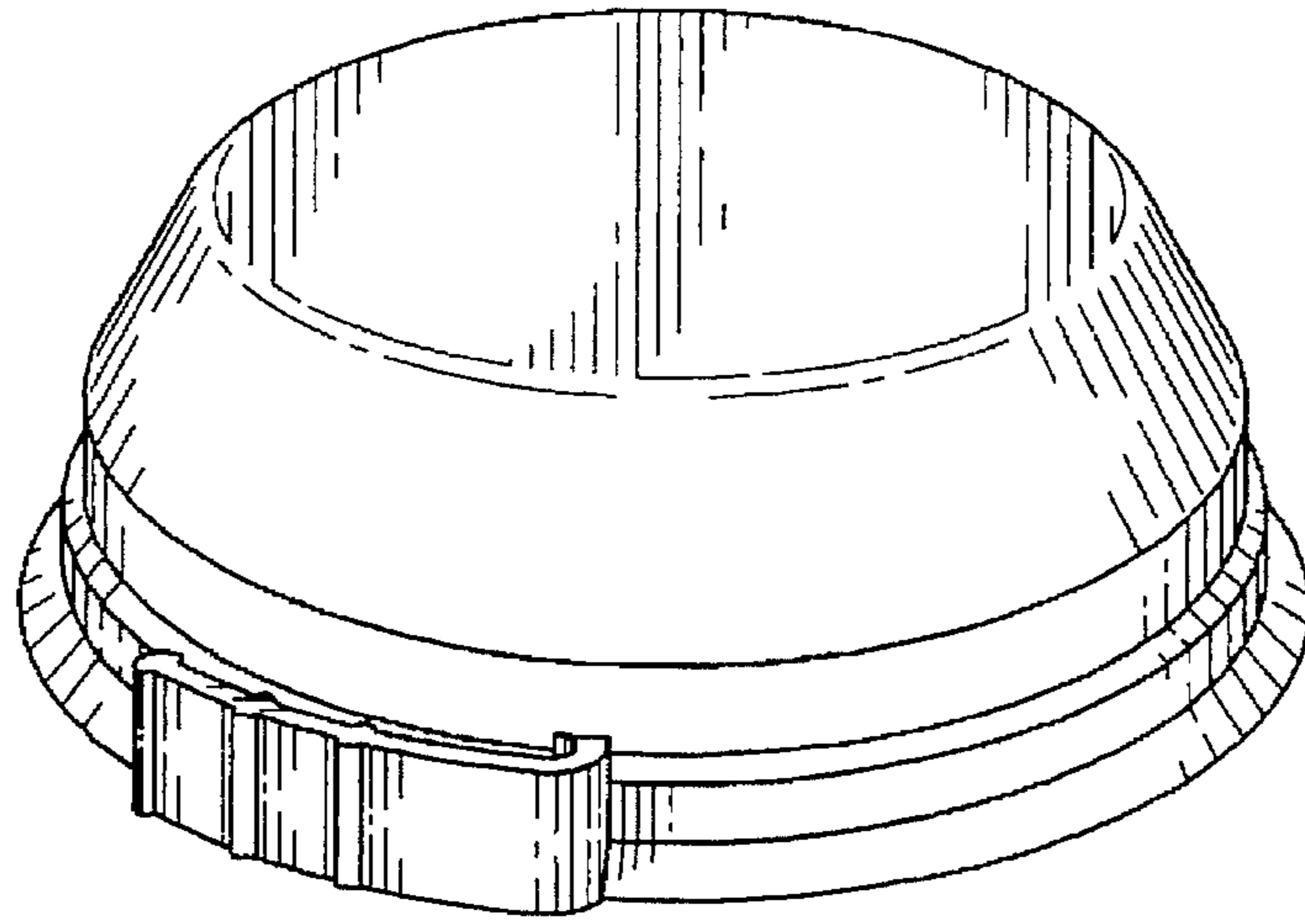


Fig. 1

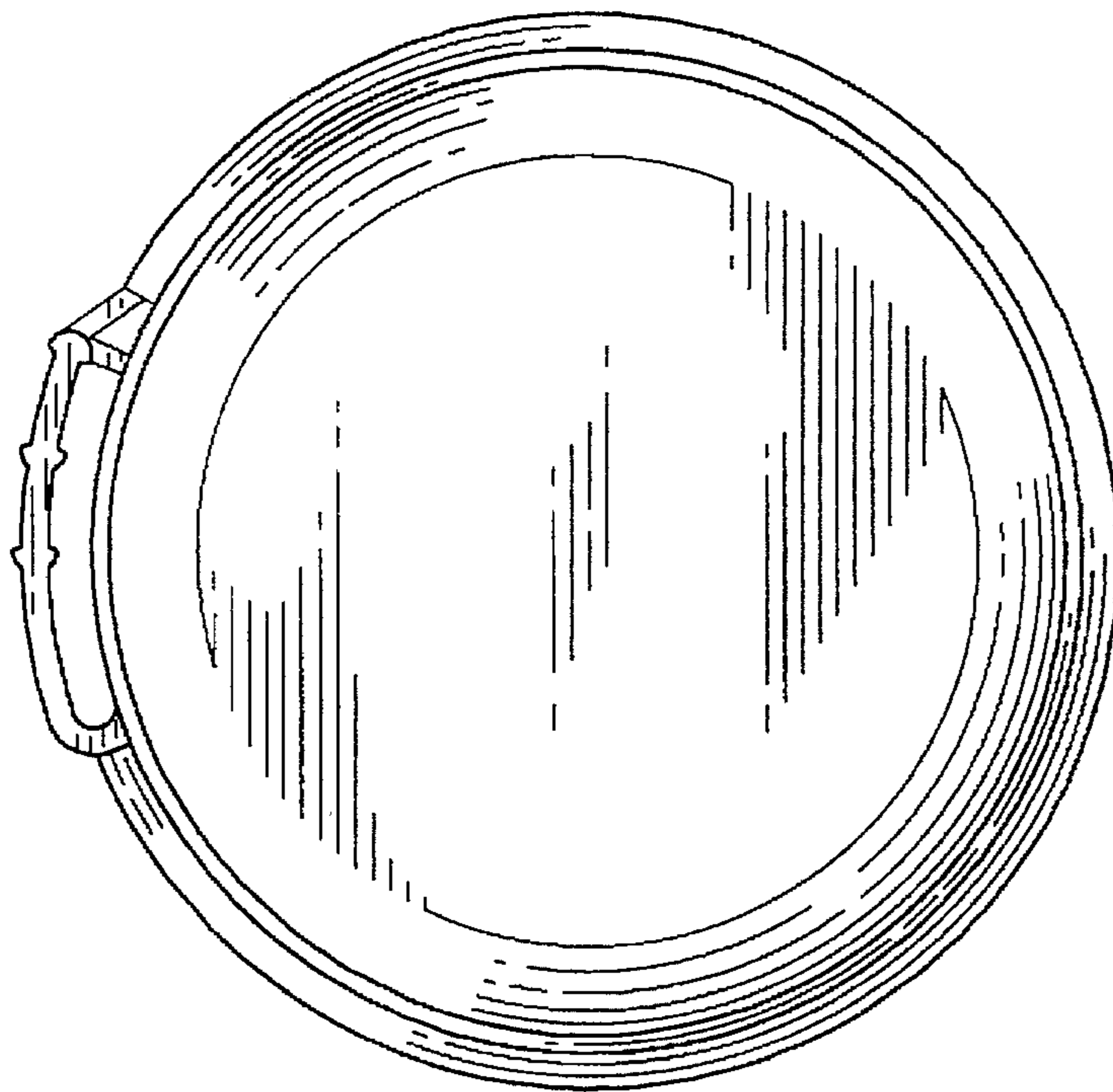


Fig. 2

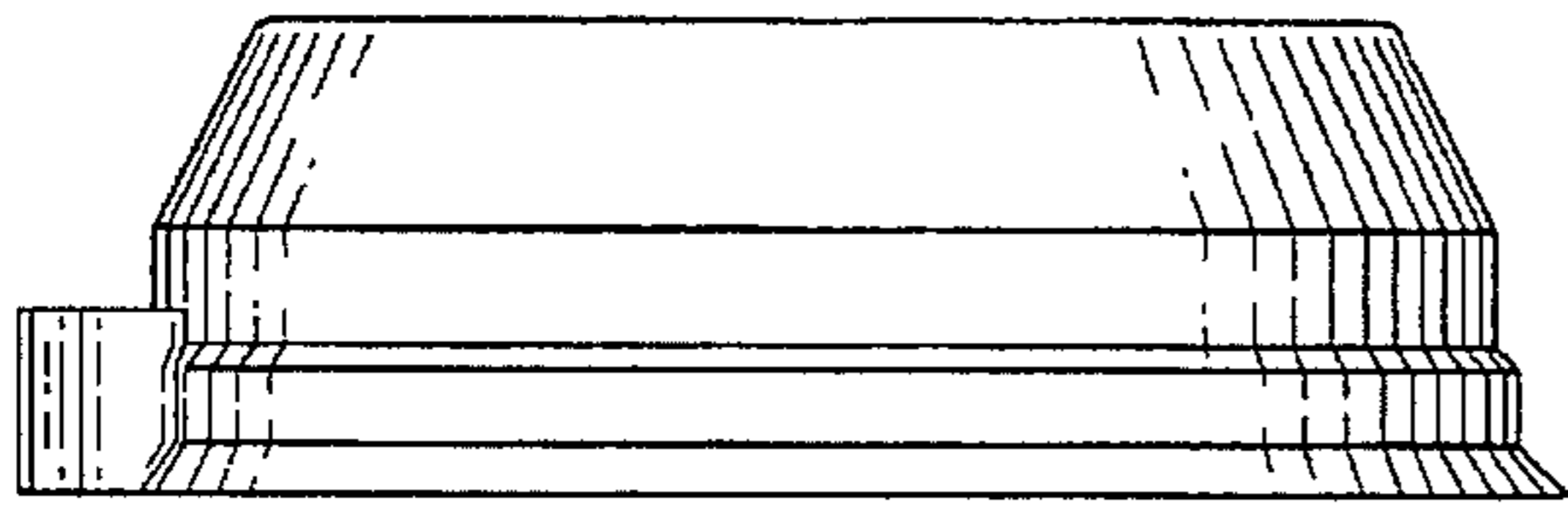


Fig. 3

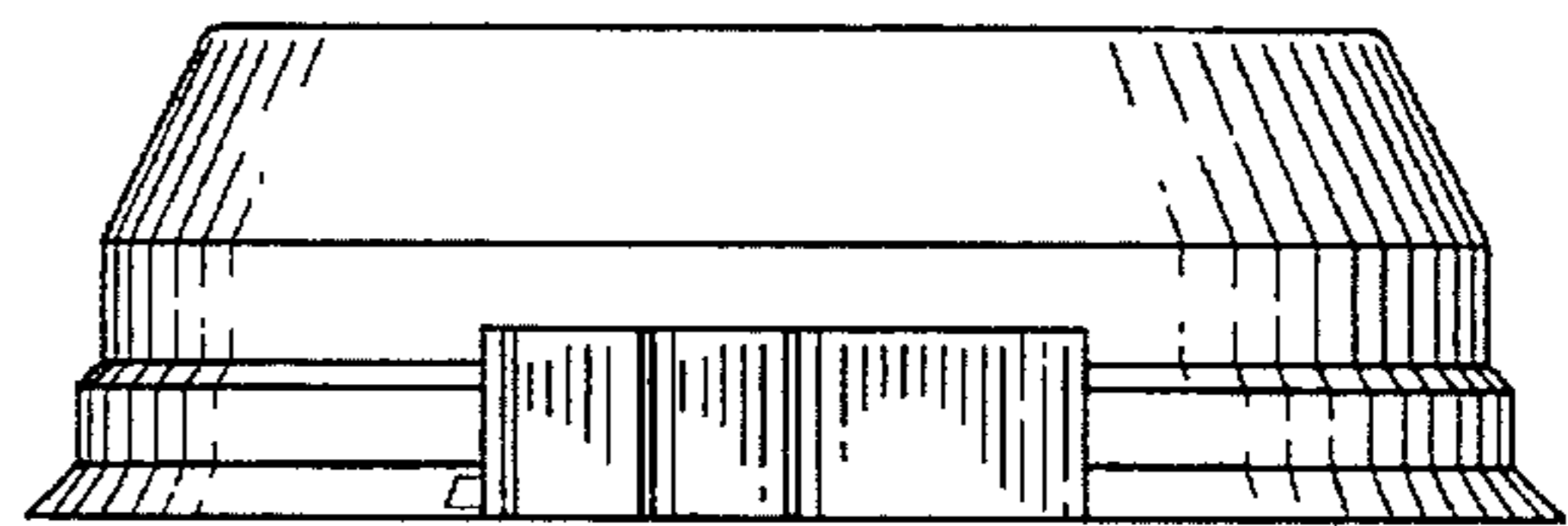


Fig. 4

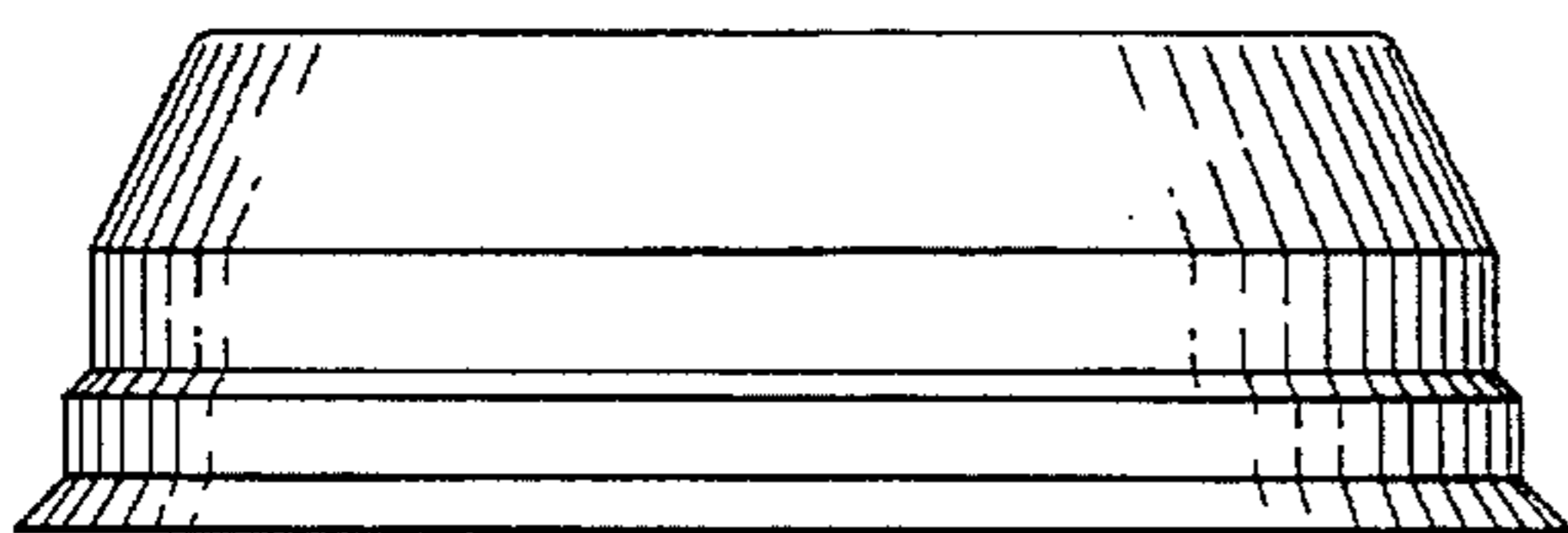


Fig. 5

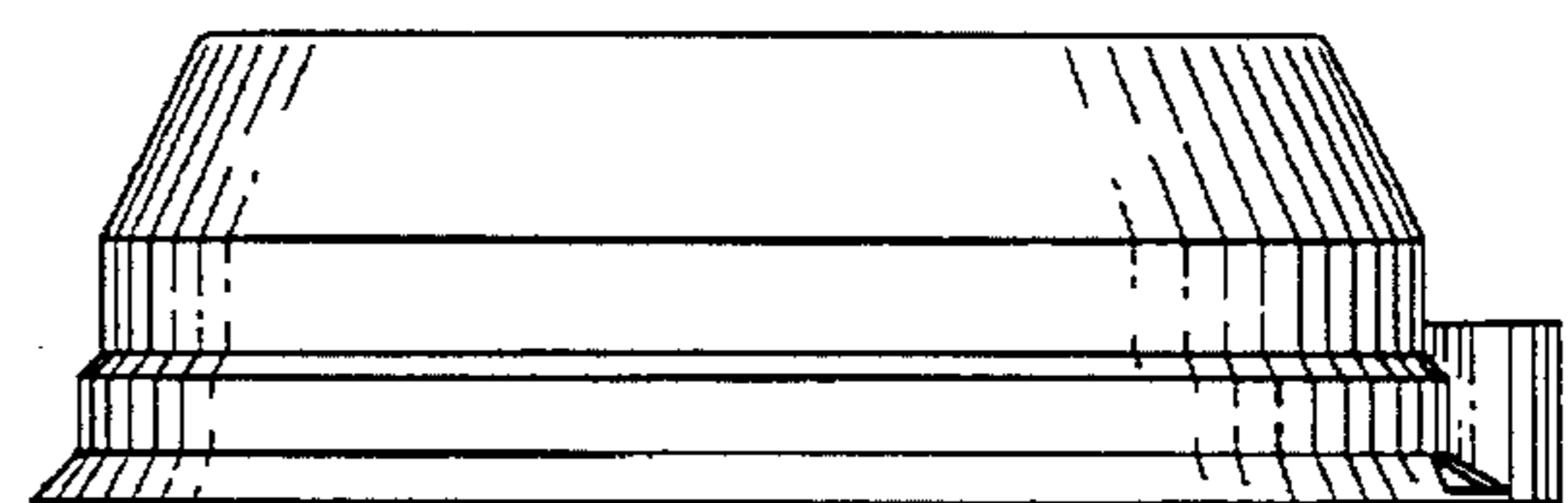


Fig. 6