



US00D381902S

United States Patent [19]

Chapman et al.

[11] Patent Number: **Des. 381,902**

[45] Date of Patent: ****Aug. 5, 1997**

[54] **PARTIAL-COVER CARTON FOR A FLASH CAMERA**

[75] Inventors: **Steven Scott Chapman**, Corfu; **Daniel Clifford Jackson**, Rochester, both of N.Y.

[73] Assignee: **Eastman Kodak Company**, Rochester, N.Y.

[**] Term: **14 Years**

[21] Appl. No.: **50,577**

[22] Filed: **Jan. 31, 1996**

[51] LOC (6) Cl. **09-07**

[52] U.S. Cl. **D9/433; D16/208; D16/237**

[58] Field of Search **D9/346, 414, 433; D16/200-205, 208, 237; 206/316.2, 455, 456; 354/64, 75, 288 P**

[56] **References Cited**

U.S. PATENT DOCUMENTS

D. 338,330	8/1993	Kohno et al.	D16/204 X
4,273,434	6/1981	Maitani et al.	354/288 P
4,751,536	6/1988	Ohmura et al.	354/75
5,350,062	9/1994	Tagiguchi et al.	206/316.2

FOREIGN PATENT DOCUMENTS

1069808	7/1954	France	206/316.2
2212138	7/1989	United Kingdom	206/316.2

Primary Examiner—Sandra L. Morris
Assistant Examiner—Nanda Bondade
Attorney, Agent, or Firm—Roger A. Fields

[57] **CLAIM**

The ornamental design for a partial-cover carton for a flash camera, as shown and described.

DESCRIPTION

FIG. 1 is a front elevational view of a partial-cover carton for a flash camera showing our new design; FIG. 2 is a top plan view thereof; FIG. 3 is a bottom plan view thereof; FIG. 4 is a right-side elevation view thereof; FIG. 5 is a left-side elevation view thereof; FIG. 6 is a perspective view of the partial-cover carton of FIGS. 1-5 placed on the flash camera (shown in phantom), as seen from the front, top, and right-side of the flash camera; and, FIG. 7 is a perspective view of the partial-cover carton of FIGS. 1-5 placed on the flash camera (shown in phantom), as seen from the rear, bottom, and left-side of the flash camera.

The broken line showing of the flash camera on FIGS. 6 and 7 is for illustrative purposes only and forms no part of the claimed design.

1 Claim, 3 Drawing Sheets

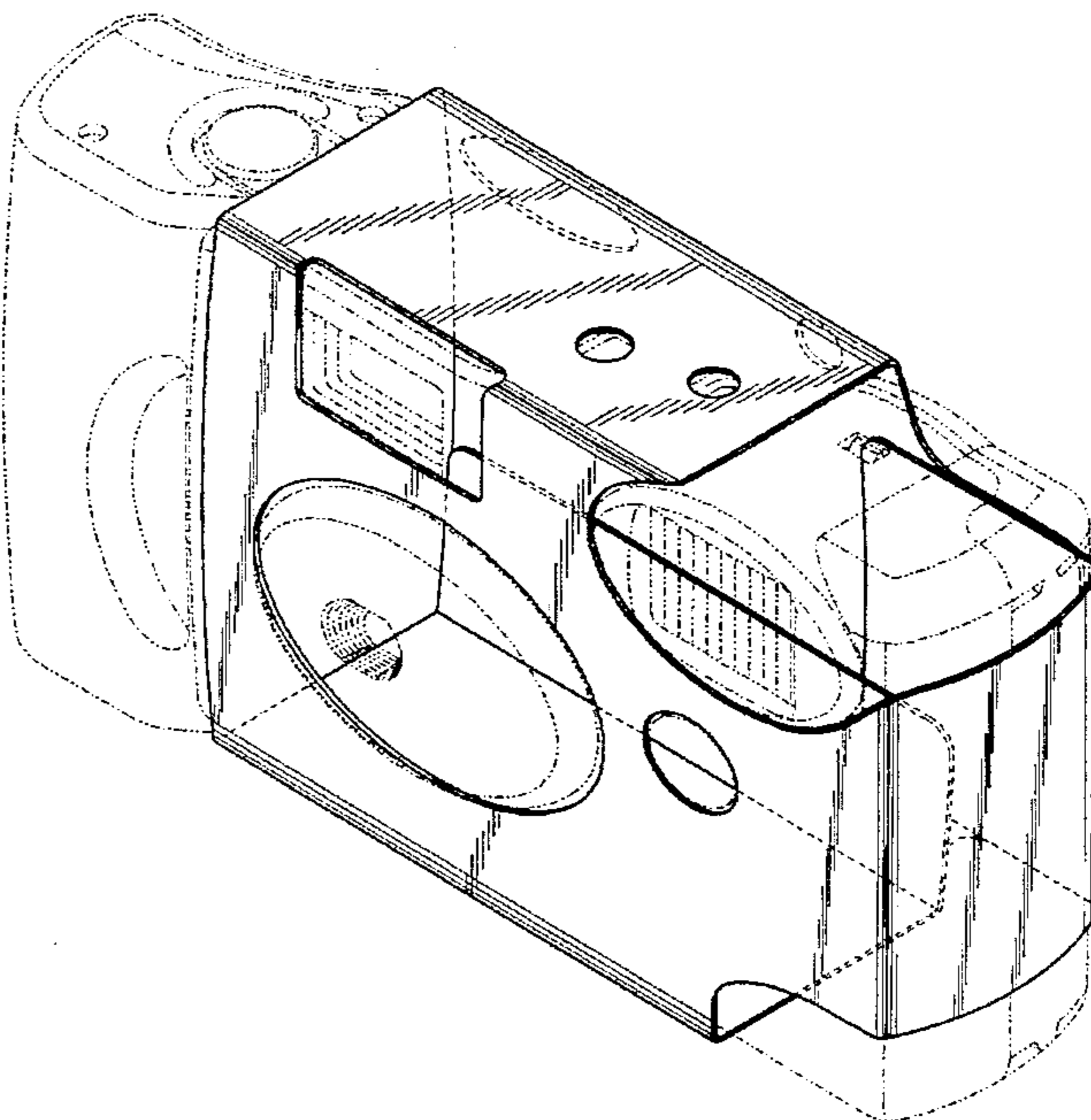
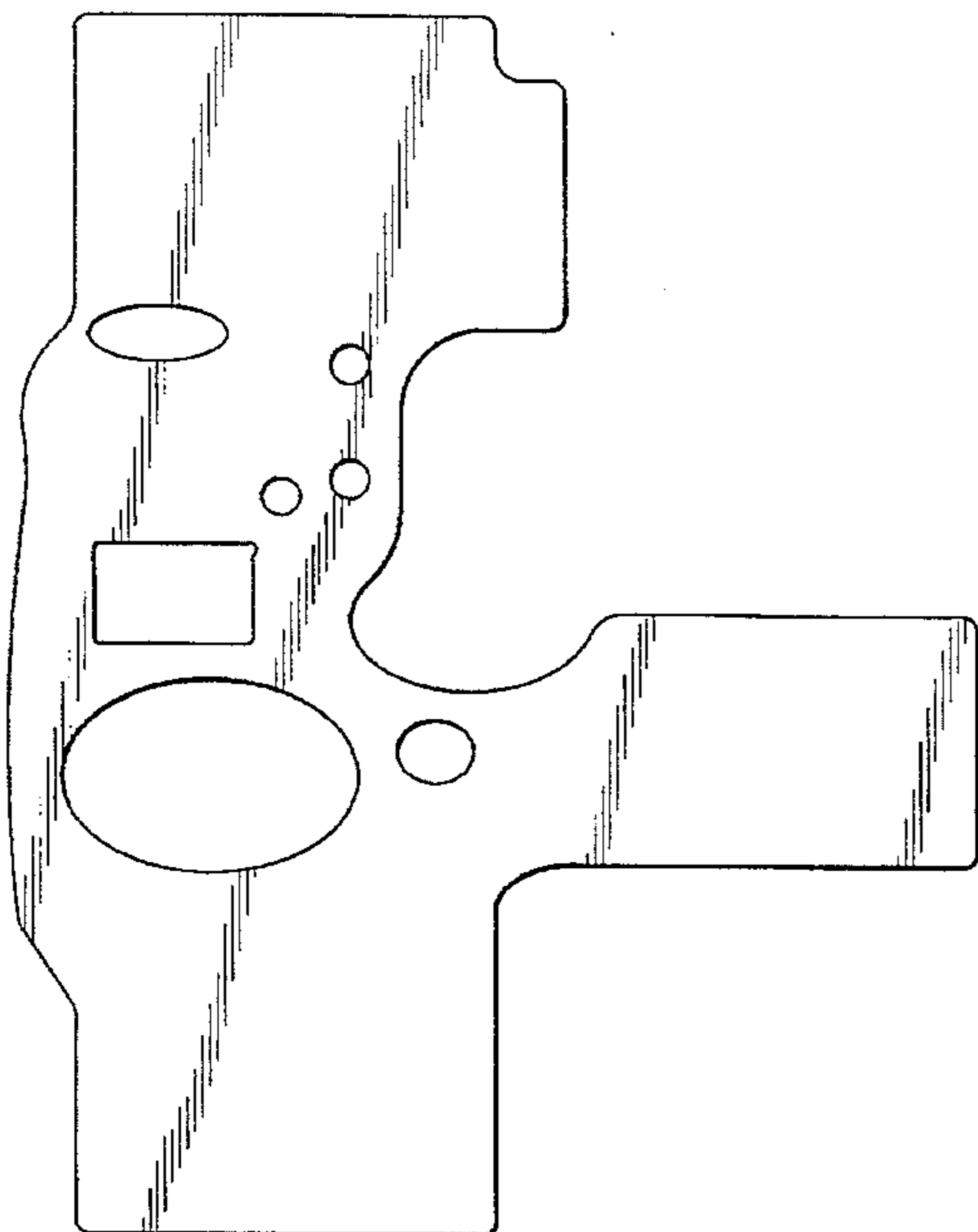


FIG. 2

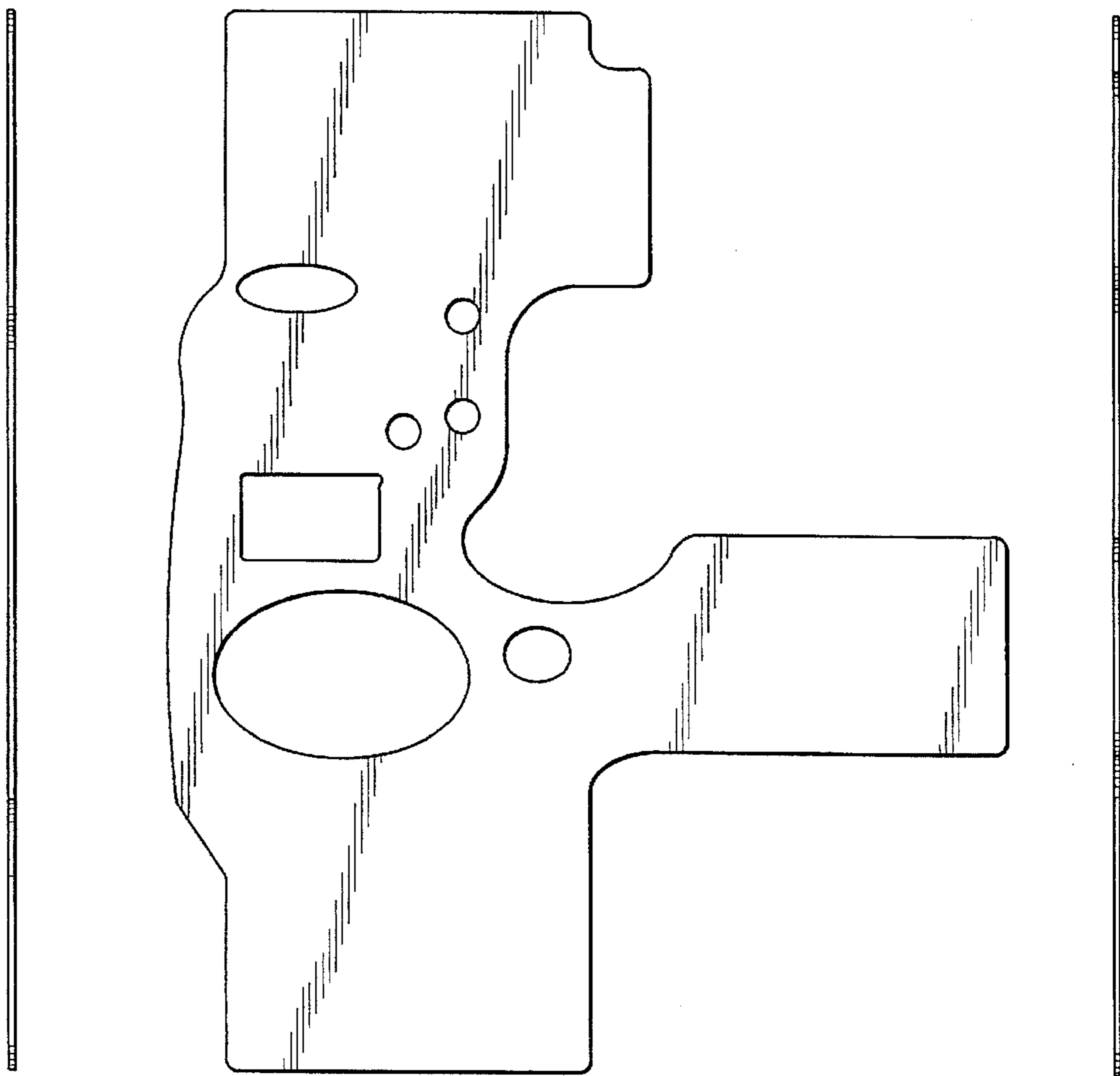


FIG. 5

FIG. 1

FIG. 4

FIG. 3

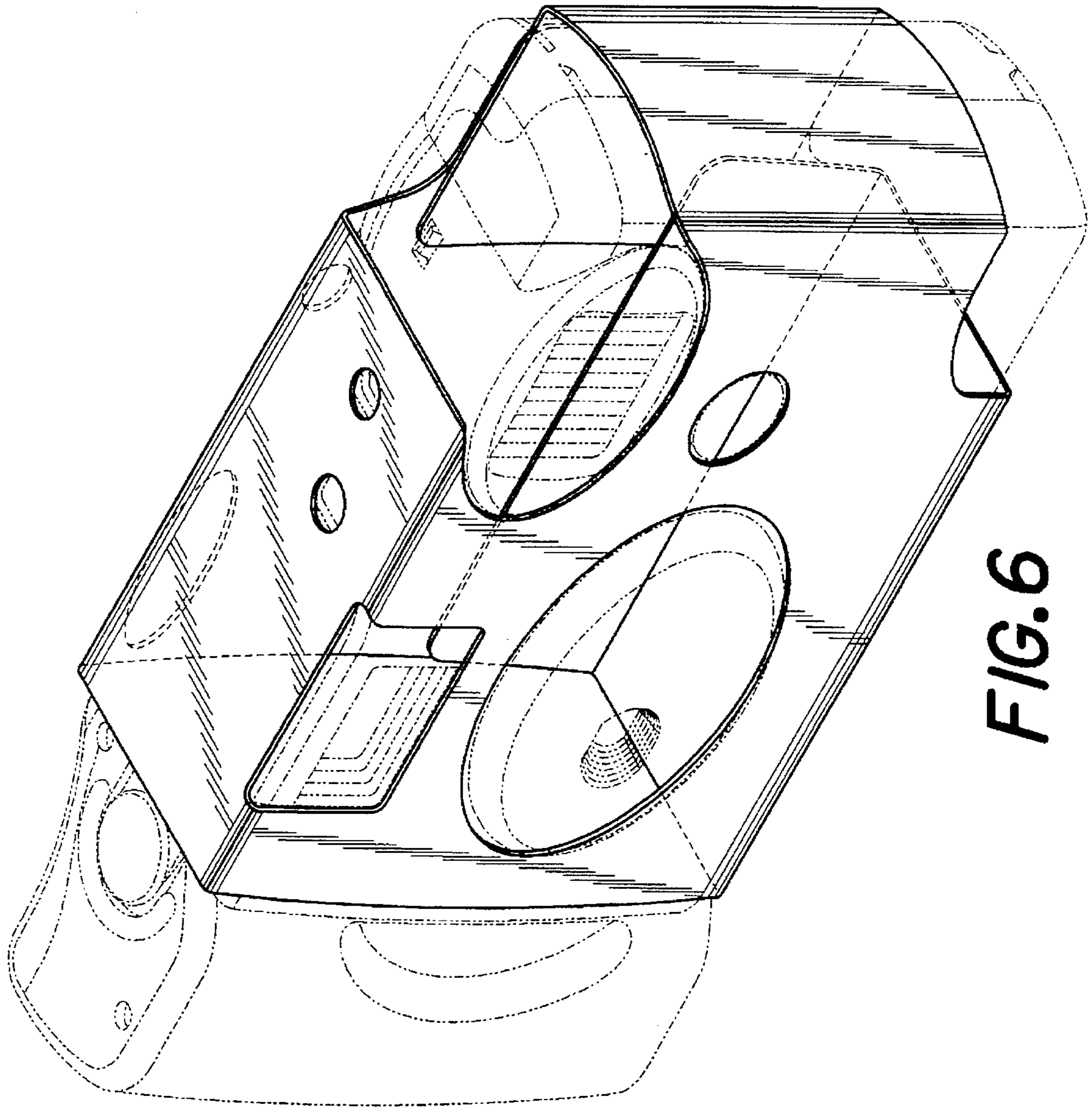


FIG. 6

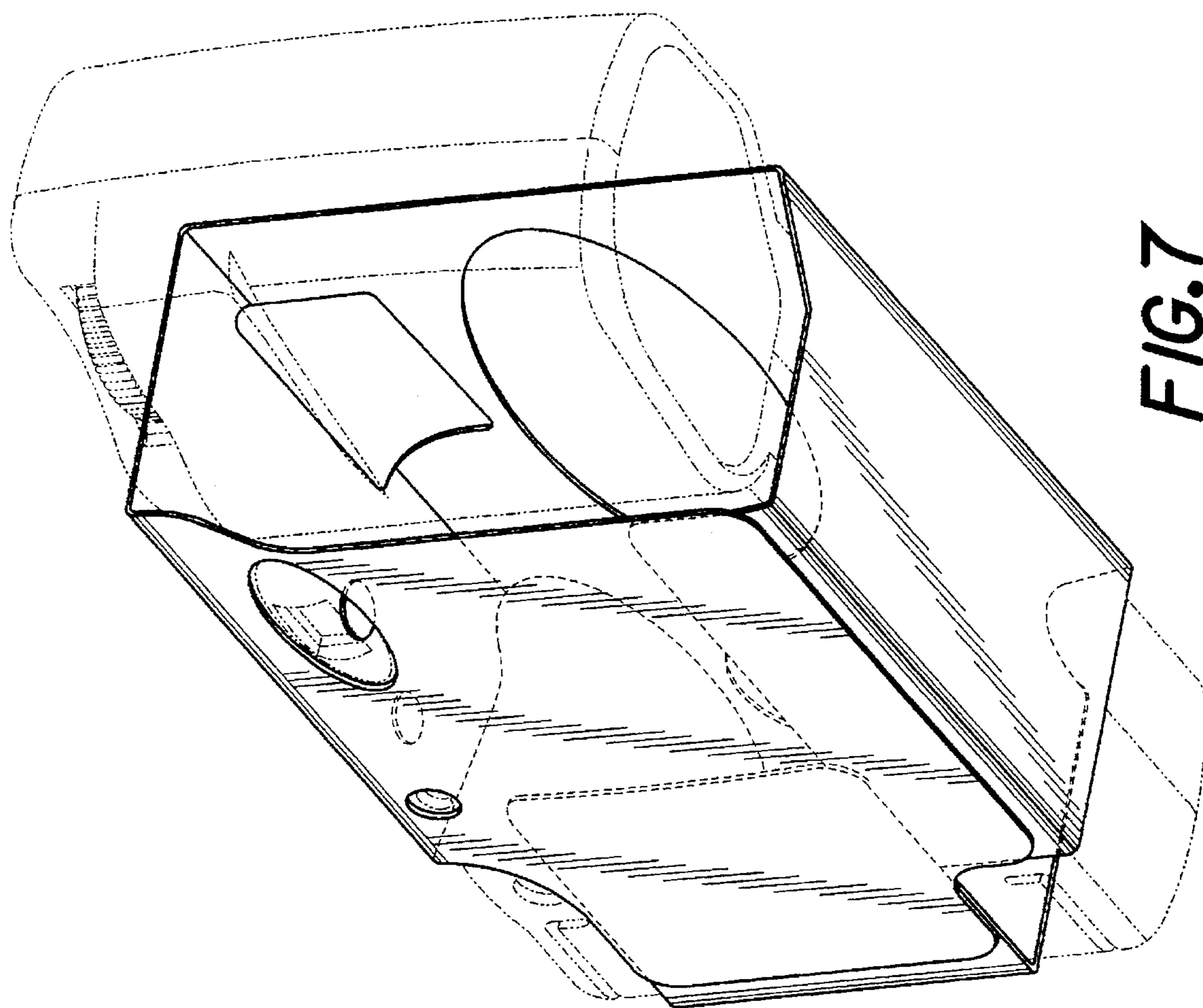


FIG. 7