



US00D381901S

United States Patent [19]

Alig et al.

[11] Patent Number: Des. 381,901

[45] Date of Patent: **Aug. 5, 1997

[54] SURFACE ORNAMENTATION ON A DISPLAY BOX

[75] Inventors: Markus Alig, Zurich; Marc Eugenio Tealdi, Dubai, both of Switzerland

[73] Assignee: British-American Tobacco Company Limited, Middlesex, England

[**] Term: 14 Years

[21] Appl. No.: 35,779

[22] Filed: Mar. 7, 1995

[30] Foreign Application Priority Data

Sep. 8, 1994	[GB]	United Kingdom	2041651
Sep. 8, 1994	[GB]	United Kingdom	2041652

[51] LOC (6) Cl. 09-07

[52] U.S. Cl. D9/414; D9/415; D9/457

[58] Field of Search D9/415, 416, 432, D9/341, 433, 457; 206/806, 45.31, 45.34, 45.14, 485, 804, 815; 229/122.1, 122, 162; 221/303, 305, 312 C, 194-196; D6/517, 512, 515; D27/183, 184

[56] References Cited

U.S. PATENT DOCUMENTS

D. 321,134	10/1991	Toinet	D9/415
D. 360,358	7/1995	Steinfels, III	D9/415
1,875,781	9/1932	Turner	229/122.1 X

1,898,056	2/1933	Johnson	229/122.1
3,204,762	9/1965	Shanok et al.	229/122.1 X
3,356,279	12/1967	Root	229/122.1 X
5,020,670	6/1991	Bedford	229/122.1 X

OTHER PUBLICATIONS

Modern Packaging, 1972-73 CAT, p. 135 Item as Circled.

Primary Examiner—Prabhakar G. Deshmukh
Attorney, Agent, or Firm—Kane, Dalsimer, Sullivan, Kurucz, Levy, Eisele and Richard

[57] CLAIM

The ornamental design for a surface ornamentation on a display box, as shown and described.

DESCRIPTION

FIG. 1 is a front perspective view from above and one side of the surface ornamentation on a display box, showing our new design;

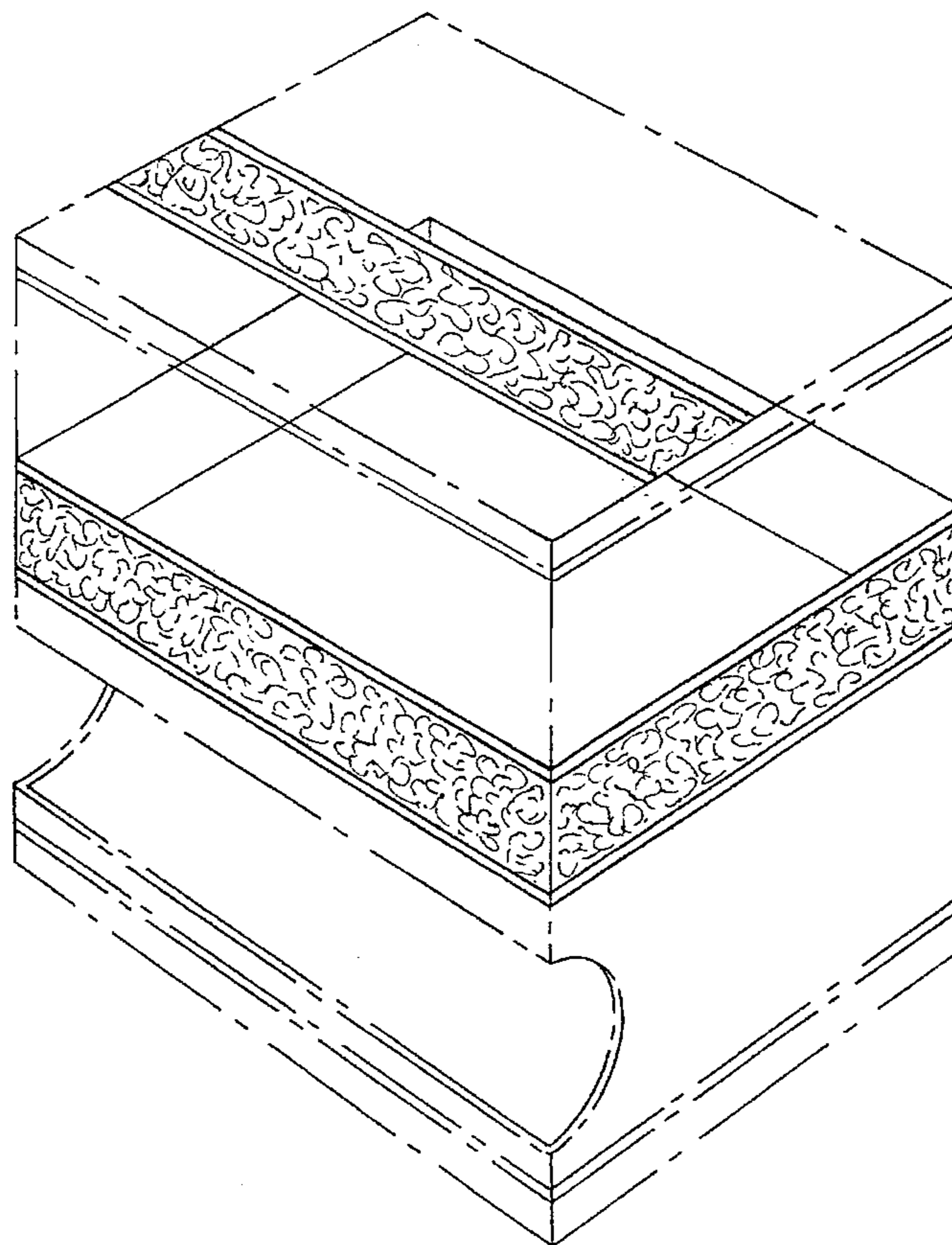
FIG. 2 is a plan view of the bottom of the surface ornamentation on a display box shown in FIG. 1;

FIG. 3 is an end view showing the side of the surface ornamentation on a display box of FIG. 1, which is not seen in FIG. 1; and,

FIG. 4 is a plan view of the backside of the surface ornamentation on a display box shown in FIG. 1.

The configuration and shape of the box shown in FIG. 1—by broken lines form no part of the claimed design.

1 Claim, 2 Drawing Sheets



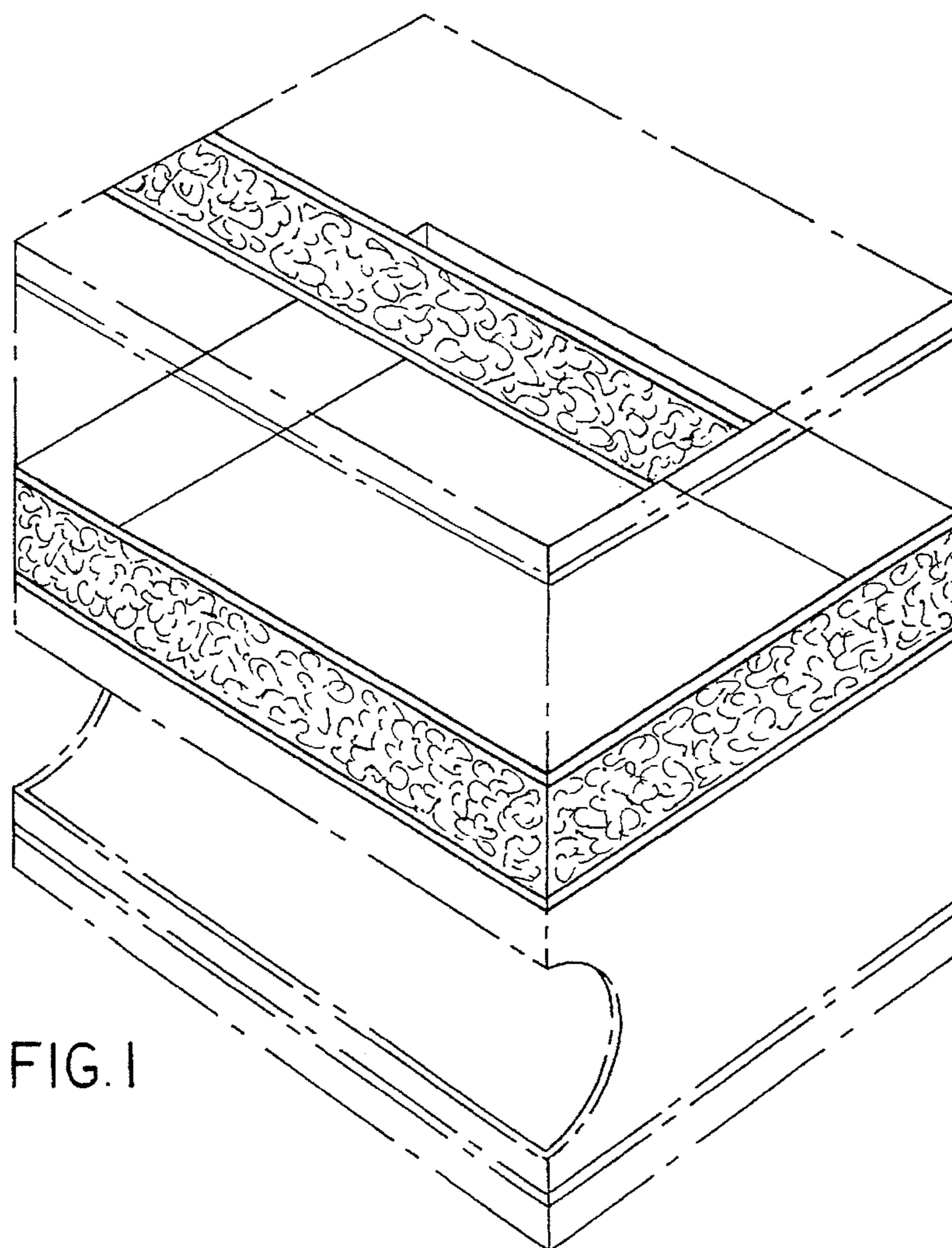


FIG. 1

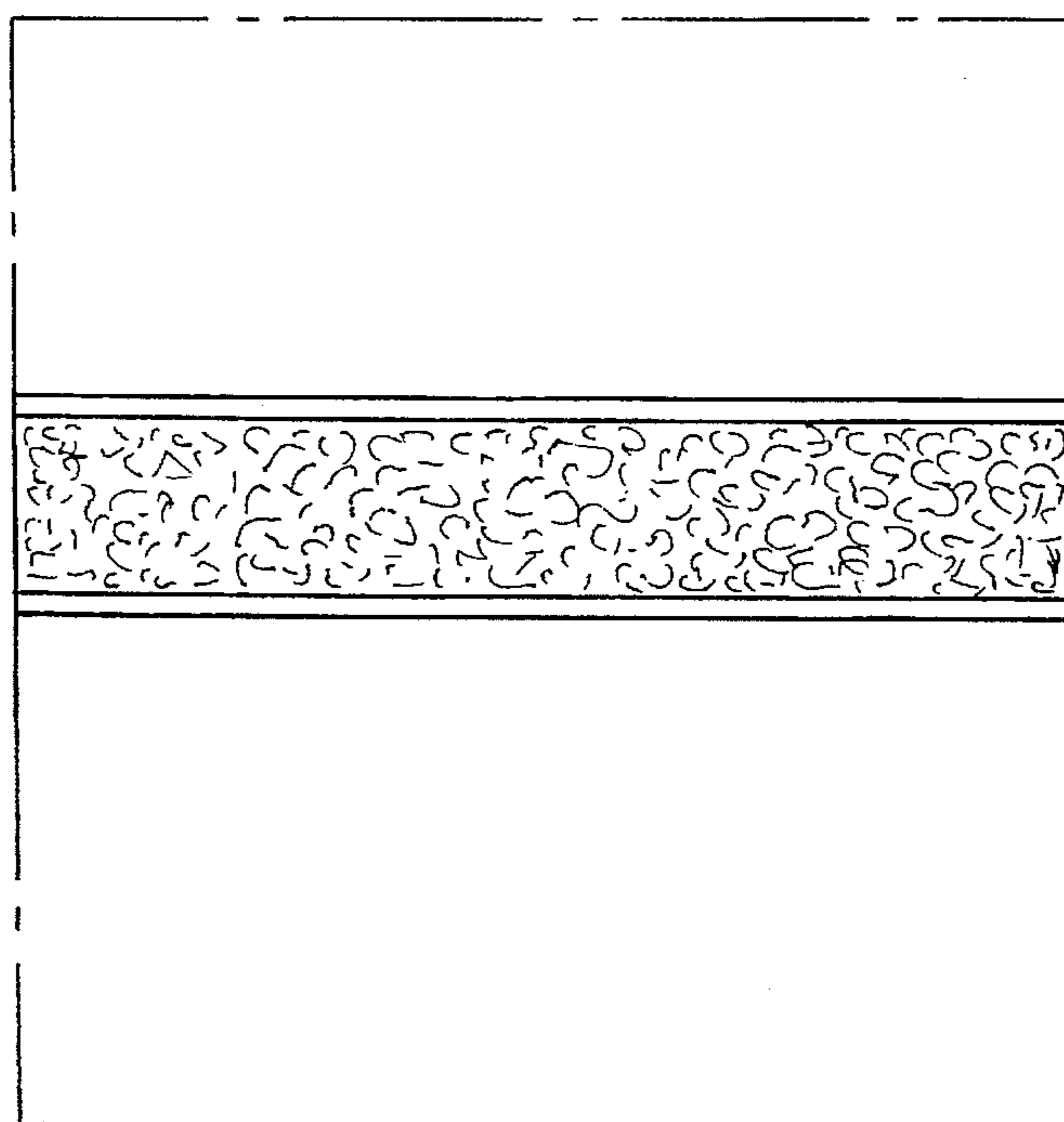


FIG. 4

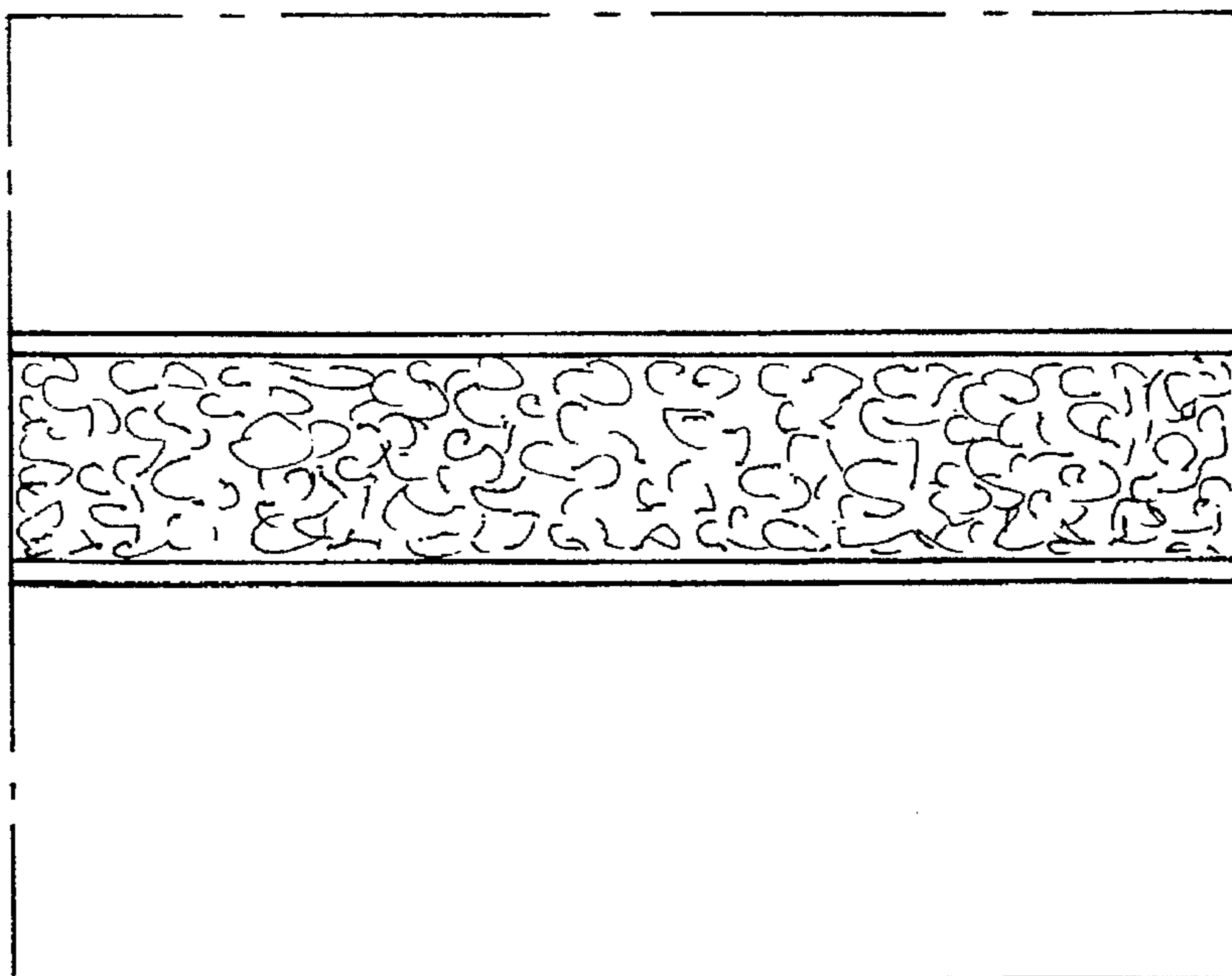


FIG. 2

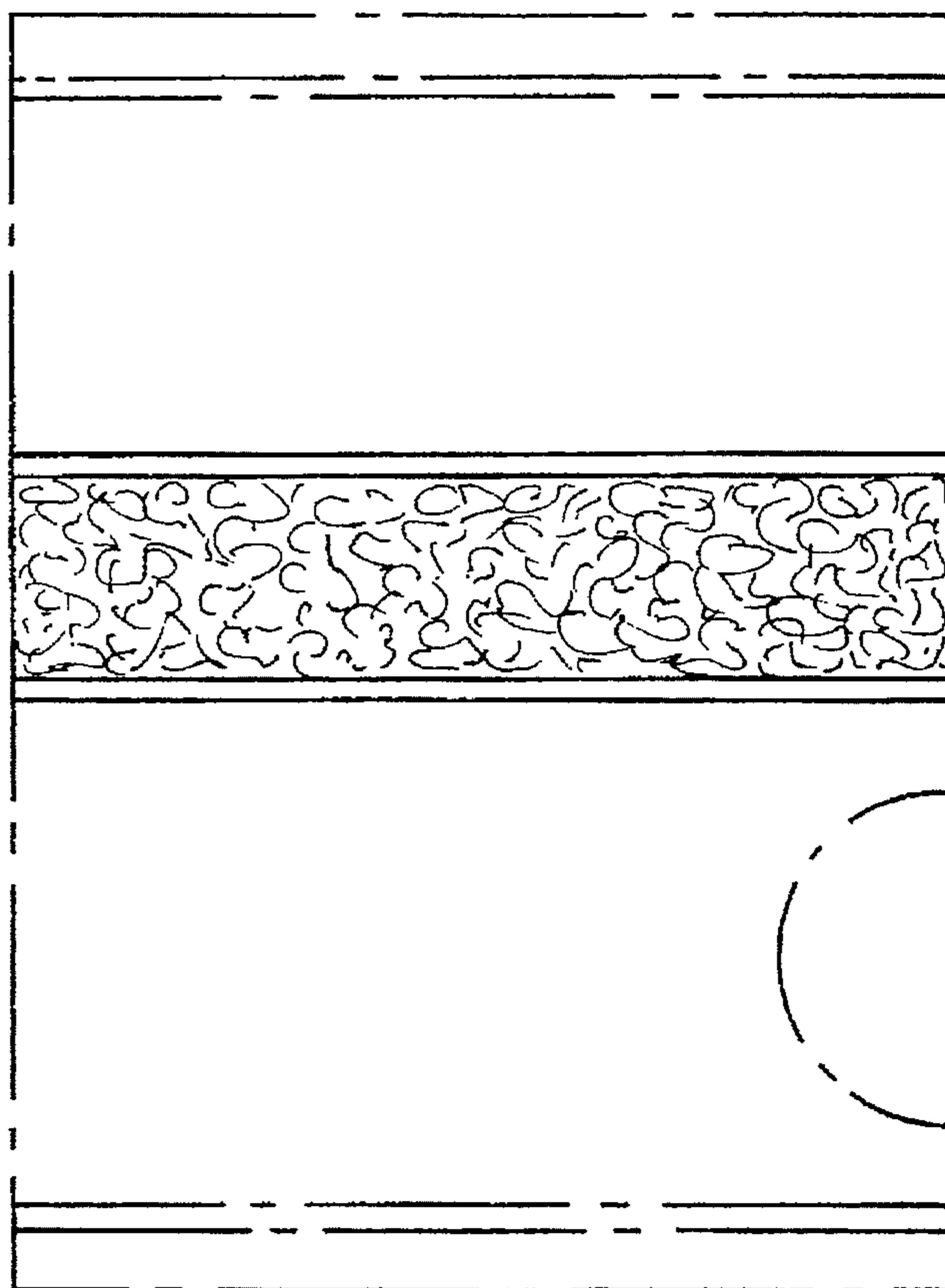


FIG. 3