

US00D381894S

United States Patent [19] Lun

[11] Patent Number: **Des. 381,894**
[45] Date of Patent: ****Aug. 5, 1997**

[54] **HANGER WITH ADJUSTABLE CLAMPING JAWS**

[75] Inventor: **Wong Chung Lun, Hong Kong, Hong Kong**

[73] Assignee: **Fu Hong Industries, Inc., Mongkok, Hong Kong**

[**] Term: **14 Years**

[21] Appl. No.: **42,662**

[22] Filed: **Aug. 14, 1995**

[51] LOC (6) Cl. **08-08**

[52] U.S. Cl. **D8/396**

[58] Field of Search D8/394, 395, 396;
24/335; 248/74.1, 74.4, 230.5, 228.5, 230.6,
312, 316.6

[56] **References Cited**

U.S. PATENT DOCUMENTS

- D. 230,952 3/1974 Matsuura D8/396
- D. 269,156 5/1983 Slinkard D8/396
- D. 340,018 10/1993 Yoder D8/394 X

- D. 344,449 2/1994 Ward D8/395
- D. 364,792 12/1995 Yoder et al. D8/394 X
- 2,578,860 12/1951 Tetzlaff 24/278
- 3,141,687 7/1964 Broberg et al. 24/278 X
- 3,694,869 10/1972 Matsuura 24/278
- 4,497,090 2/1985 Proctor 24/274 WB X

Primary Examiner—Paula A. Mortimer
Attorney, Agent, or Firm—Woodard, Emhardt, Naughton, Moriarty & McNett

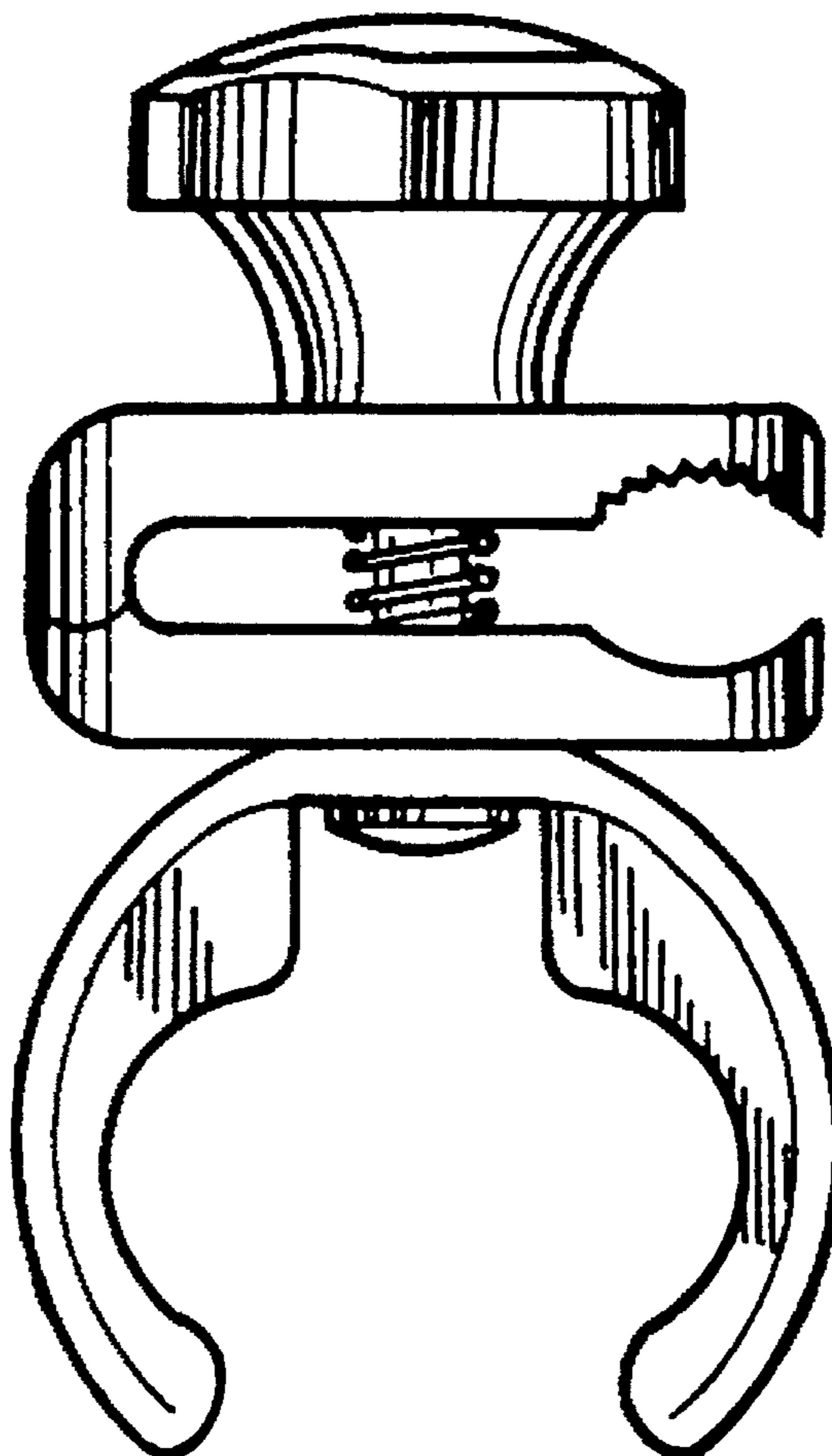
[57] **CLAIM**

The ornamental design for a hanger with adjustable clamping jaws, as shown and described.

DESCRIPTION

FIG. 1 is a front elevational view of a hanger with adjustable clamping jaw showing my new design, the rear is a mirror image;
FIG. 2 is a bottom rear perspective view thereof;
FIG. 3 is a bottom plan view thereof;
FIG. 4 is a right side elevational view thereof;
FIG. 5 is a top plan view thereof; and,
FIG. 6 is a left side elevational view thereof.

1 Claim, 3 Drawing Sheets



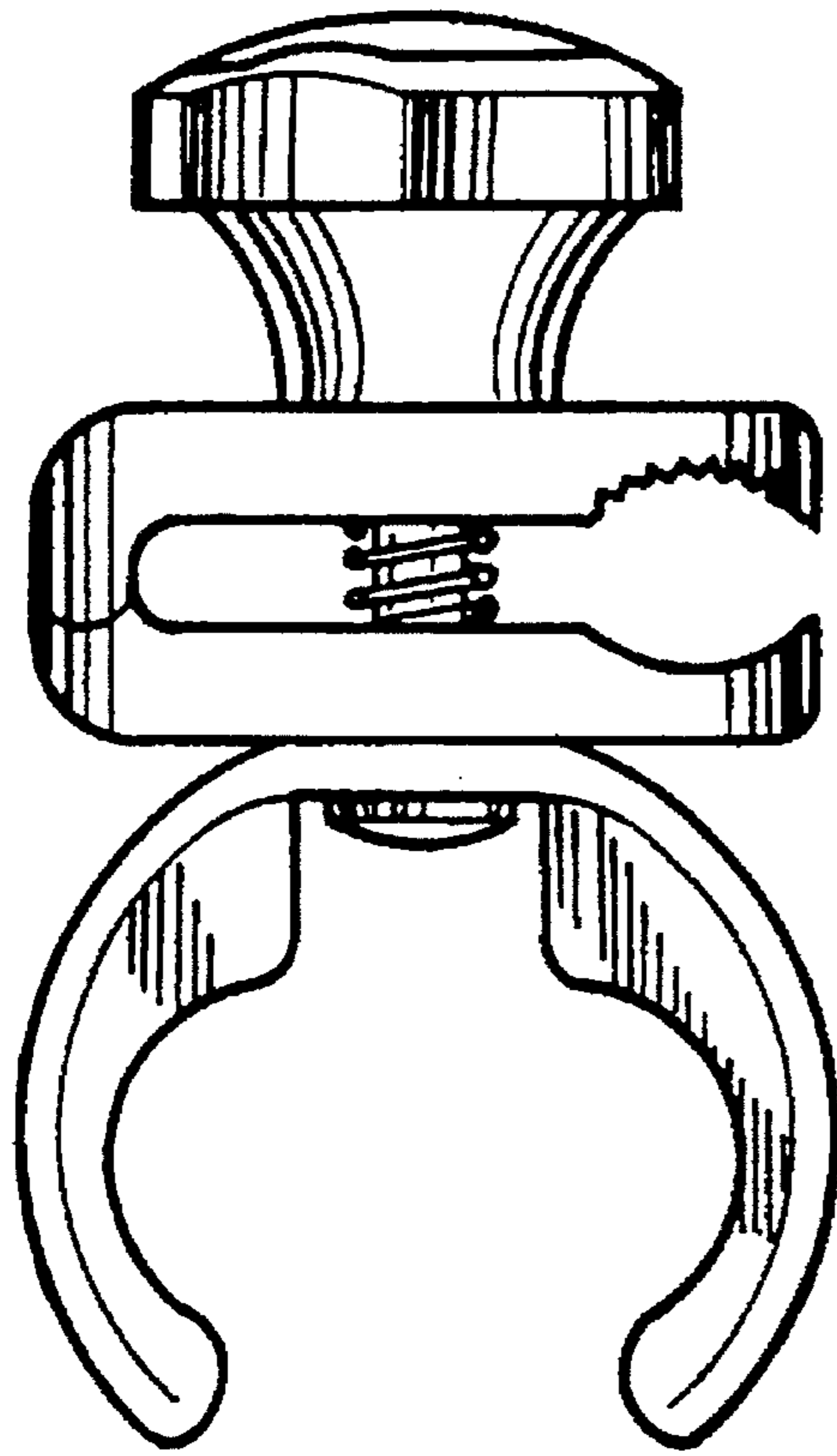


Fig. 1

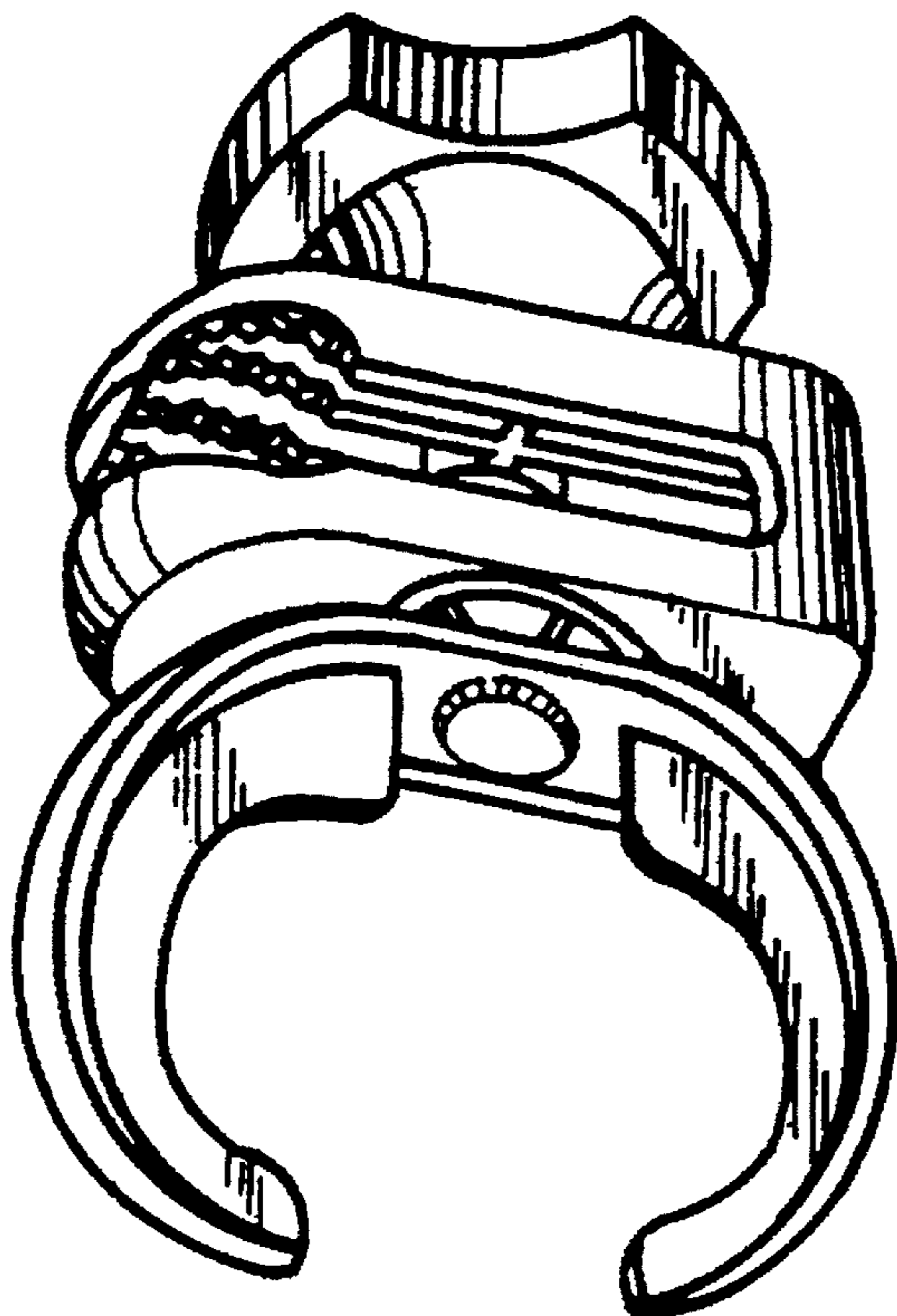


Fig. 2

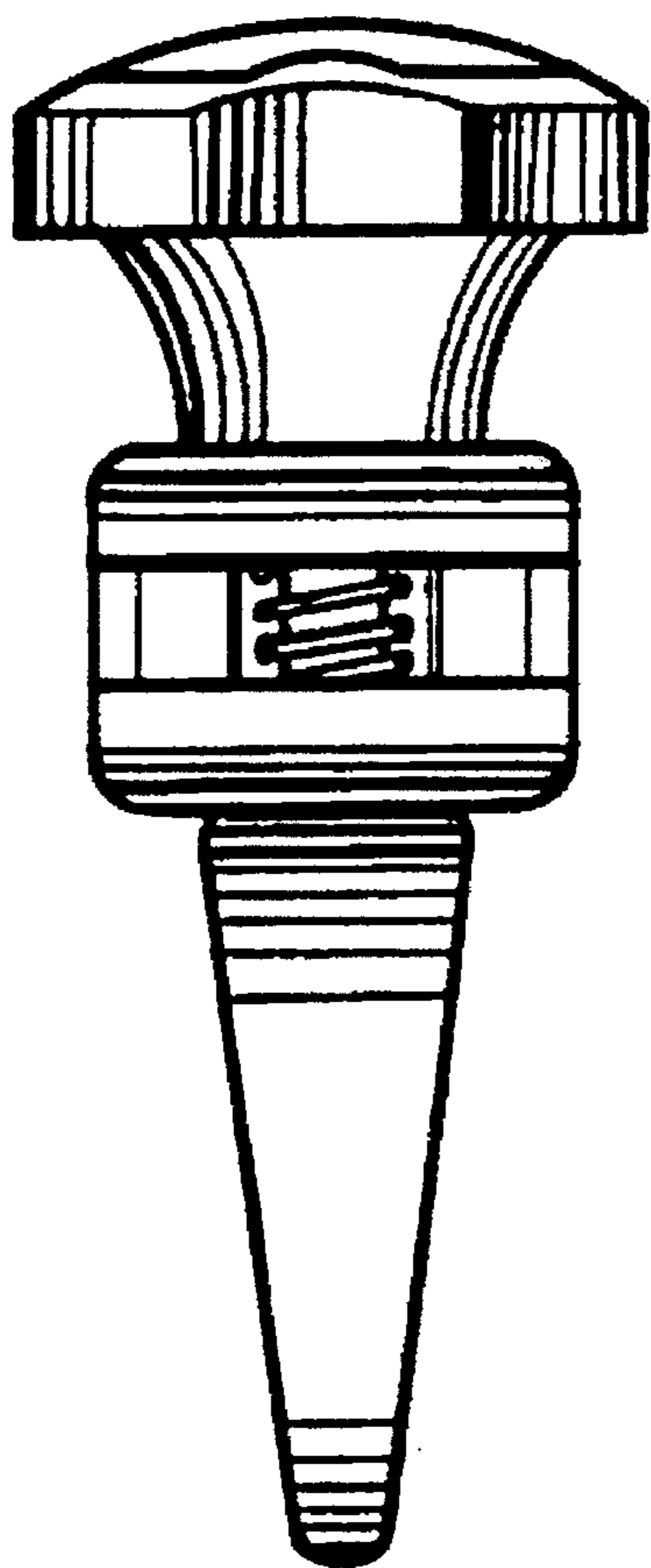


Fig. 4

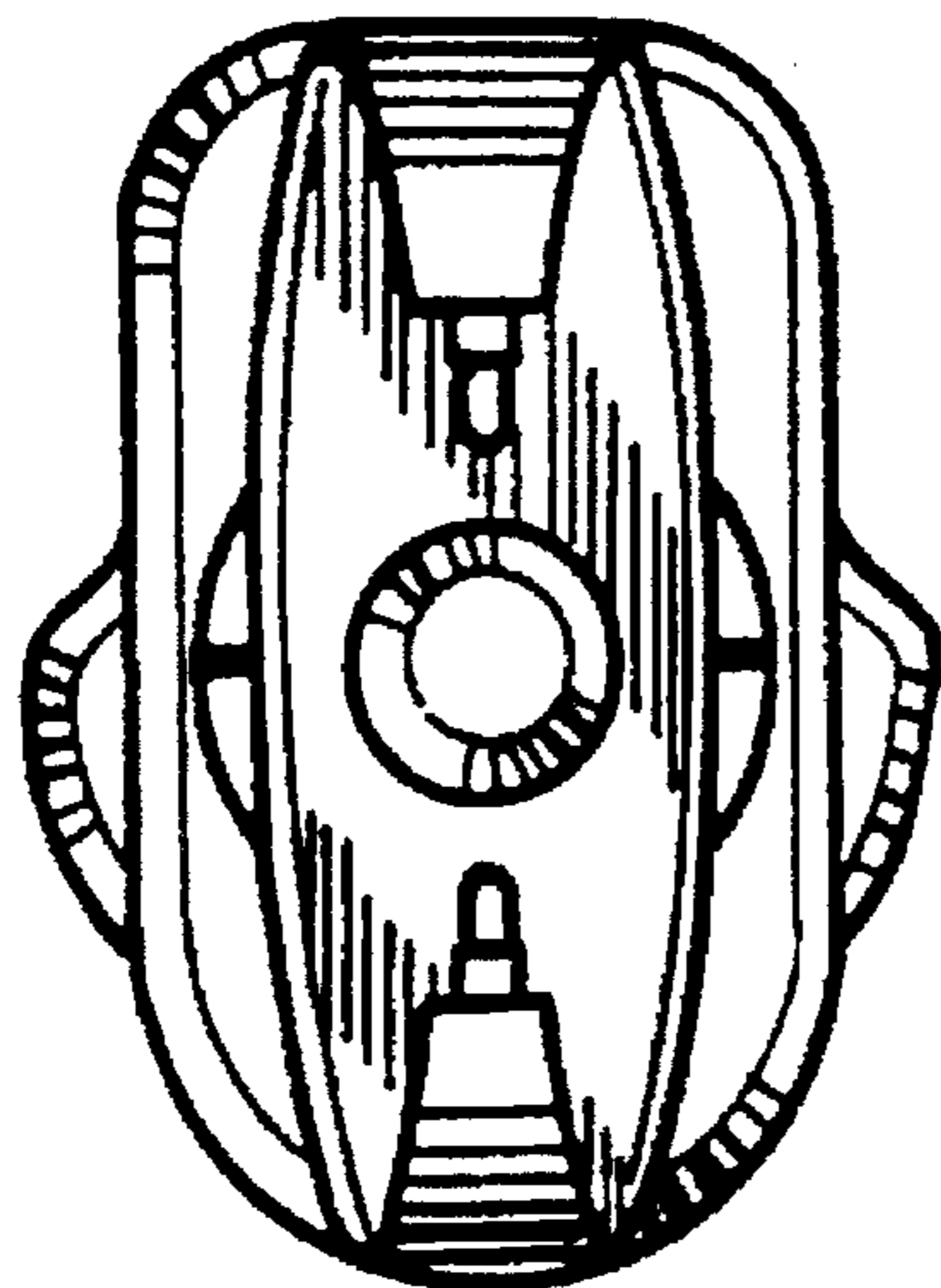


Fig. 3

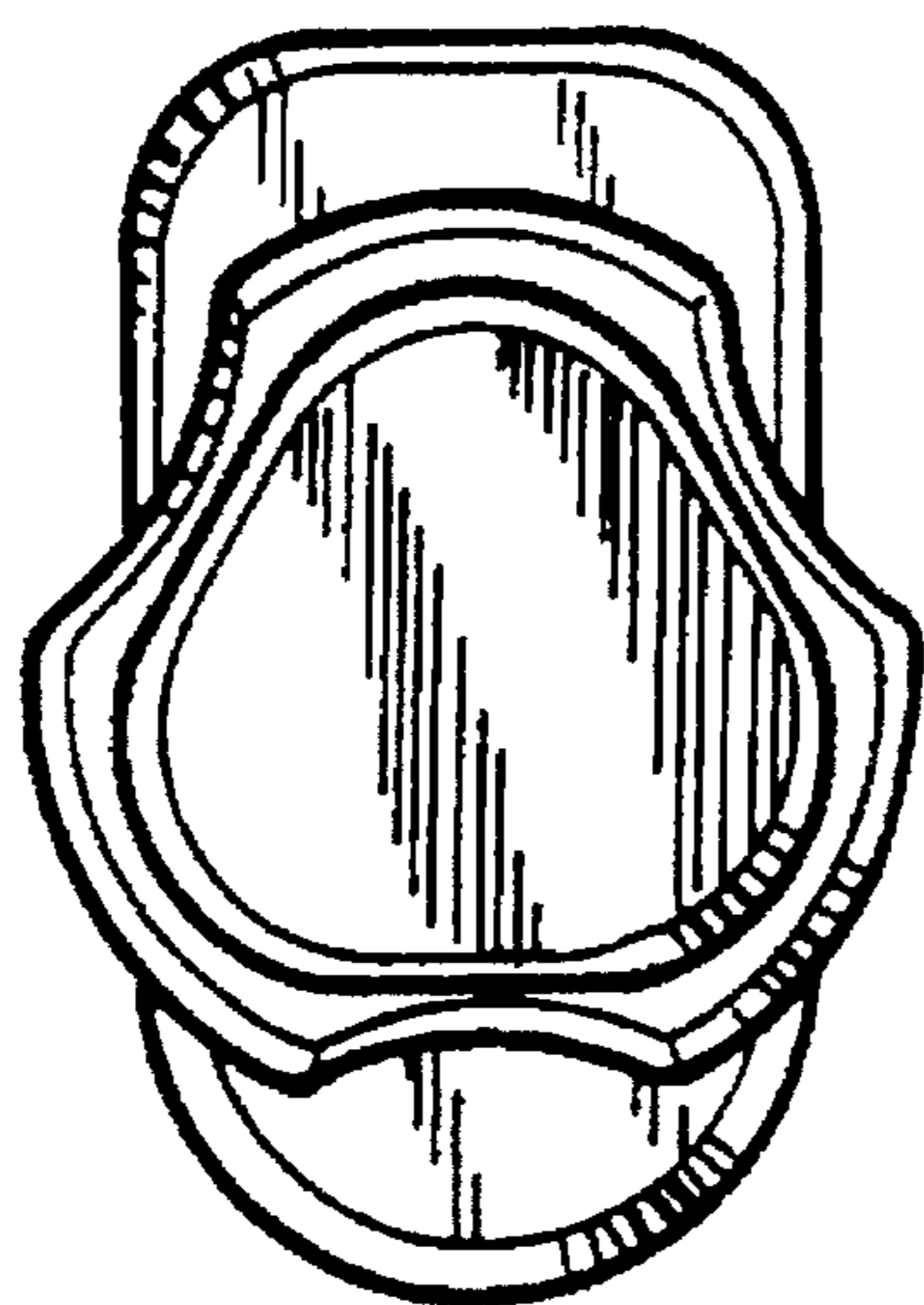


Fig. 5

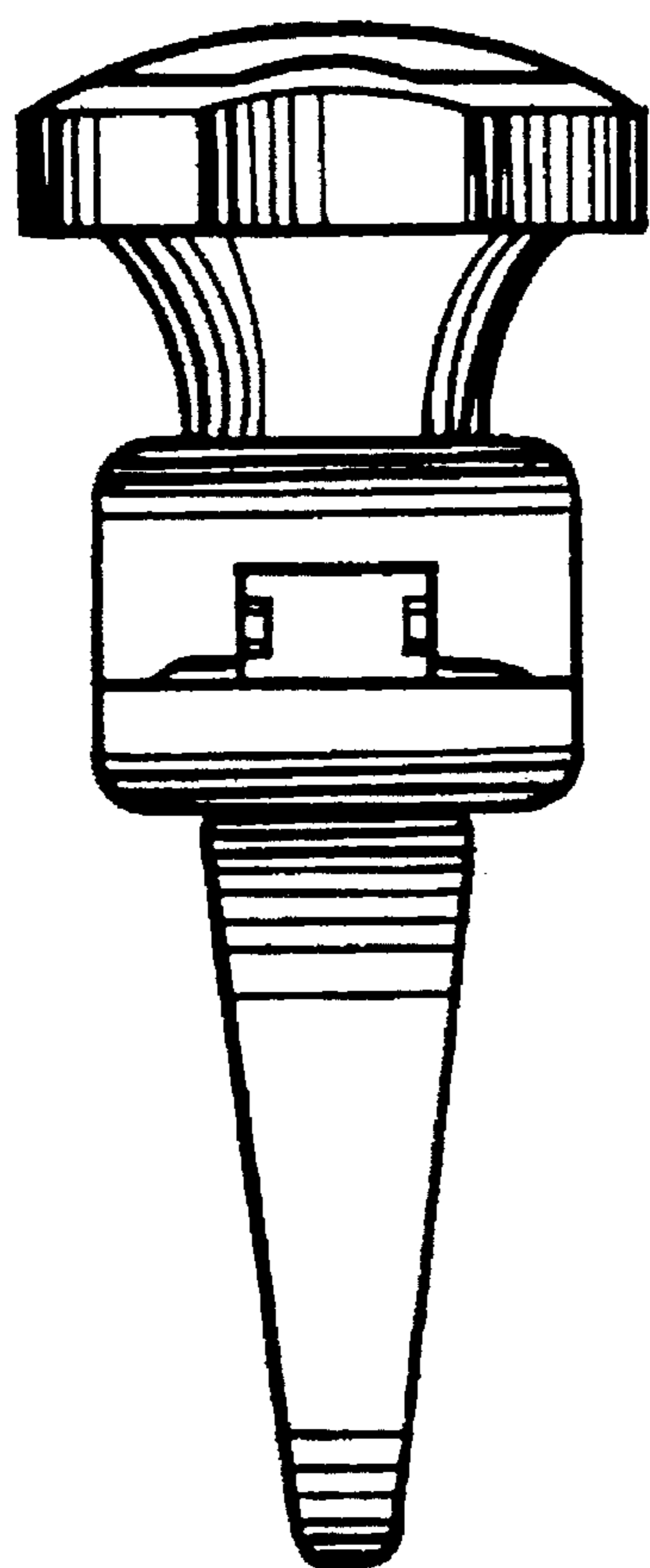


Fig. 6