



US00D381891S

**United States Patent** [19]  
**Anscher**

[11] **Patent Number: Des. 381,891**

[45] **Date of Patent: \*\*Aug. 5, 1997**

[54] **STRAP SEPARATOR AND CLAMP**

[75] Inventor: **Joseph Anscher**, Muttontown, N.Y.

[73] Assignee: **National Molding Corp.**, Farmingdale, N.Y.

[\*\*] Term: **14 Years**

[21] Appl. No.: **45,908**

[22] Filed: **Nov. 2, 1995**

[51] **LOC (6) Cl.** ..... **08-08**

[52] **U.S. Cl.** ..... **D8/383; D2/639**

[58] **Field of Search** ..... **D8/383, 382, 395; D2/639; 297/482; 24/163 K, 324, 662, 265 R; 40/668, 662**

[56] **References Cited**

**U.S. PATENT DOCUMENTS**

545	12/1837	North	.....	24/265 R
D. 338,614	8/1993	Pierce	.....	D8/382
683,296	9/1901	Konrad	.....	40/662
1,930,634	10/1933	Weiss	.....	40/668
5,367,809	11/1994	Ross	.....	40/668

**FOREIGN PATENT DOCUMENTS**

19970 11/1899 United Kingdom ..... 40/668

*Primary Examiner*—Paula A. Mortimer  
*Attorney, Agent, or Firm*—Kenyon & Kenyon

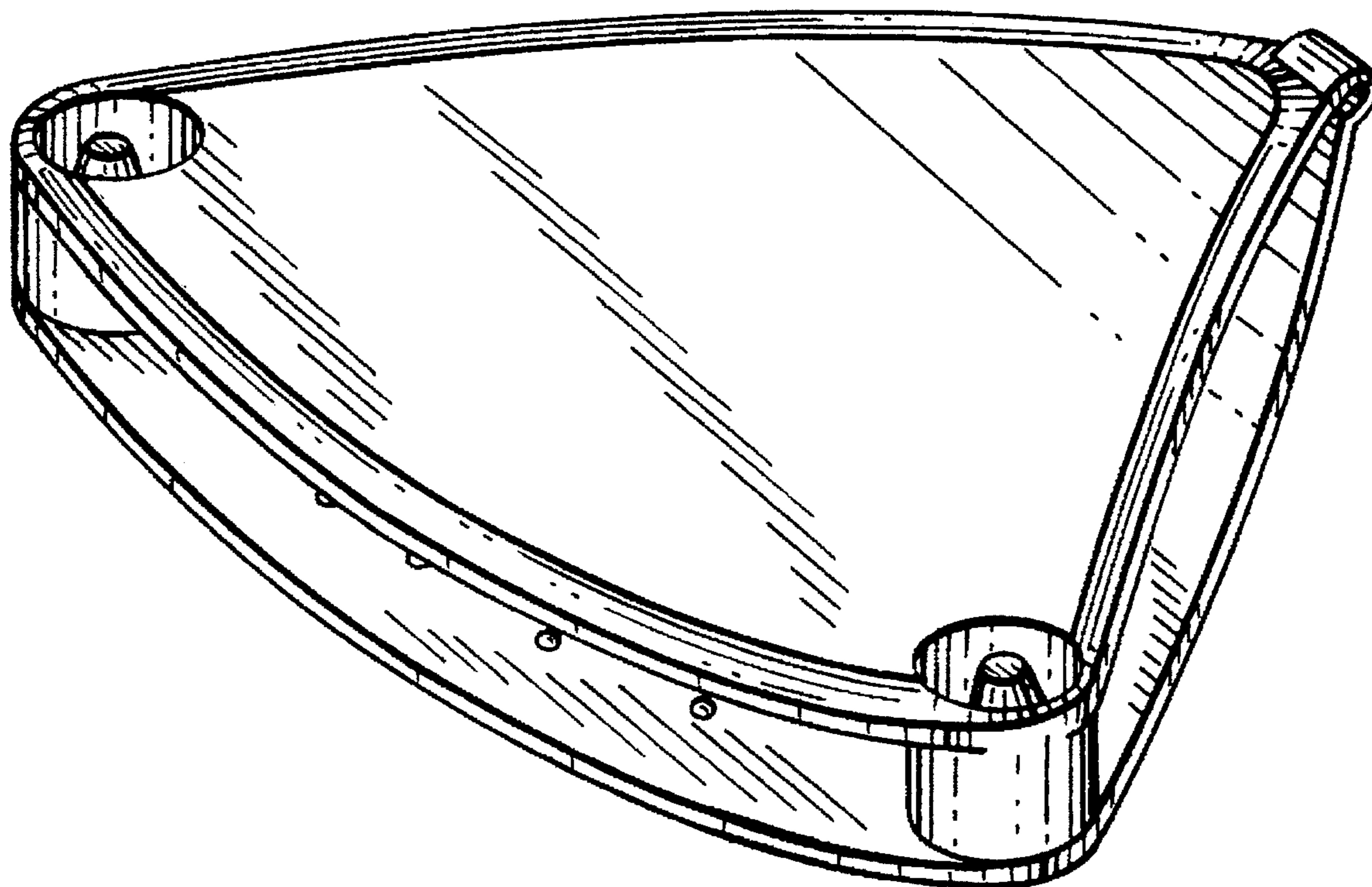
[57] **CLAIM**

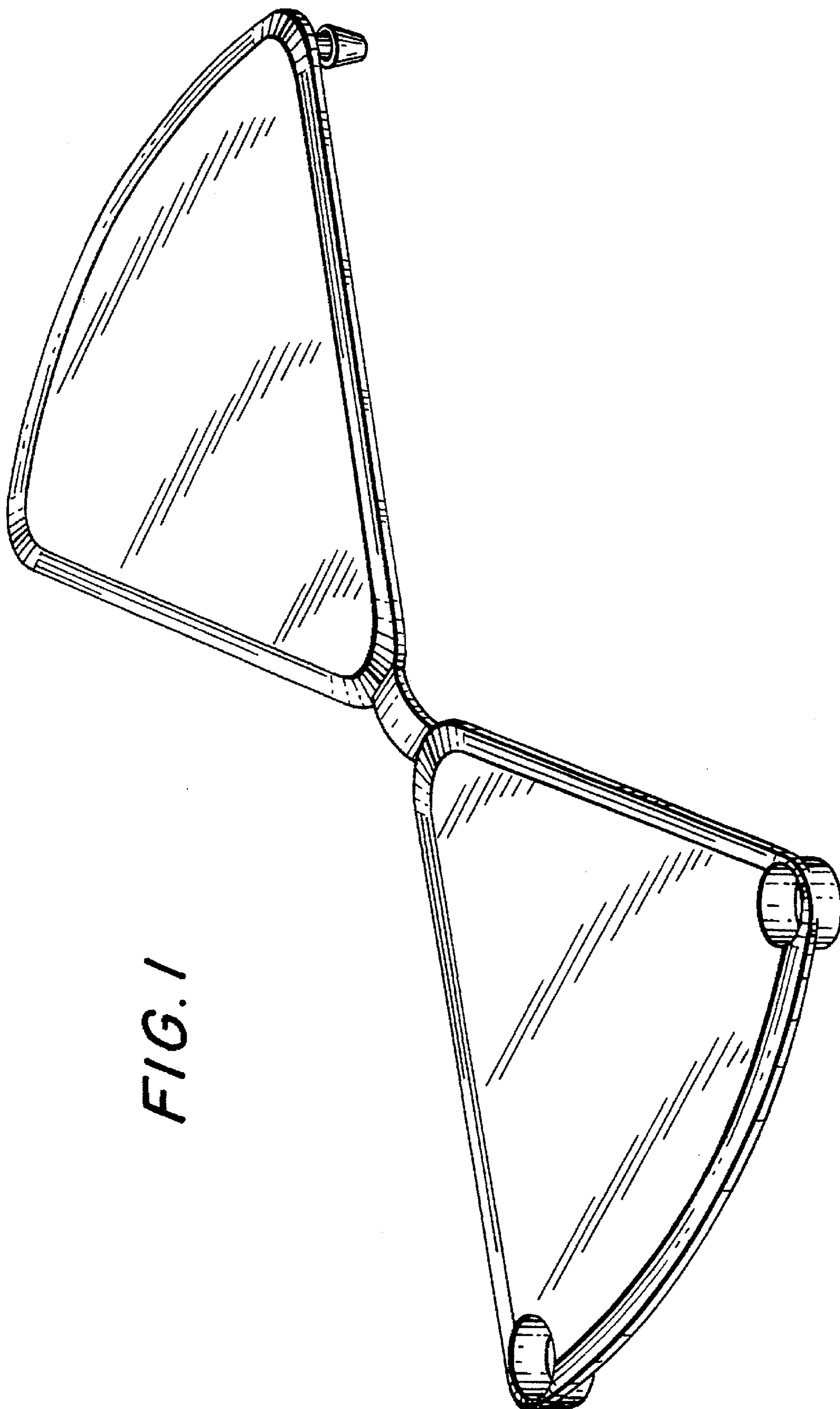
The ornamental design for a strap separator and clamp, as shown and described.

**DESCRIPTION**

FIG. 1 is a top perspective view of a strap separator and clamp showing my new design in an open position; FIG. 2 is a side elevational view thereof; FIG. 3 is a rear elevational view thereof; FIG. 4 is a front elevational view thereof; FIG. 5 is a top plan view thereof; FIG. 6 is a bottom plan view thereof; FIG. 7 is a perspective view in a closed position; FIG. 8 is a rear elevational view thereof; FIG. 9 is a front elevational view thereof; FIG. 10 is a side elevational view thereof; FIG. 11 is a bottom plan view thereof; and, FIG. 12 is a top plan view thereof.

**1 Claim, 6 Drawing Sheets**





*FIG. 1*

FIG. 2



FIG. 3



FIG. 4



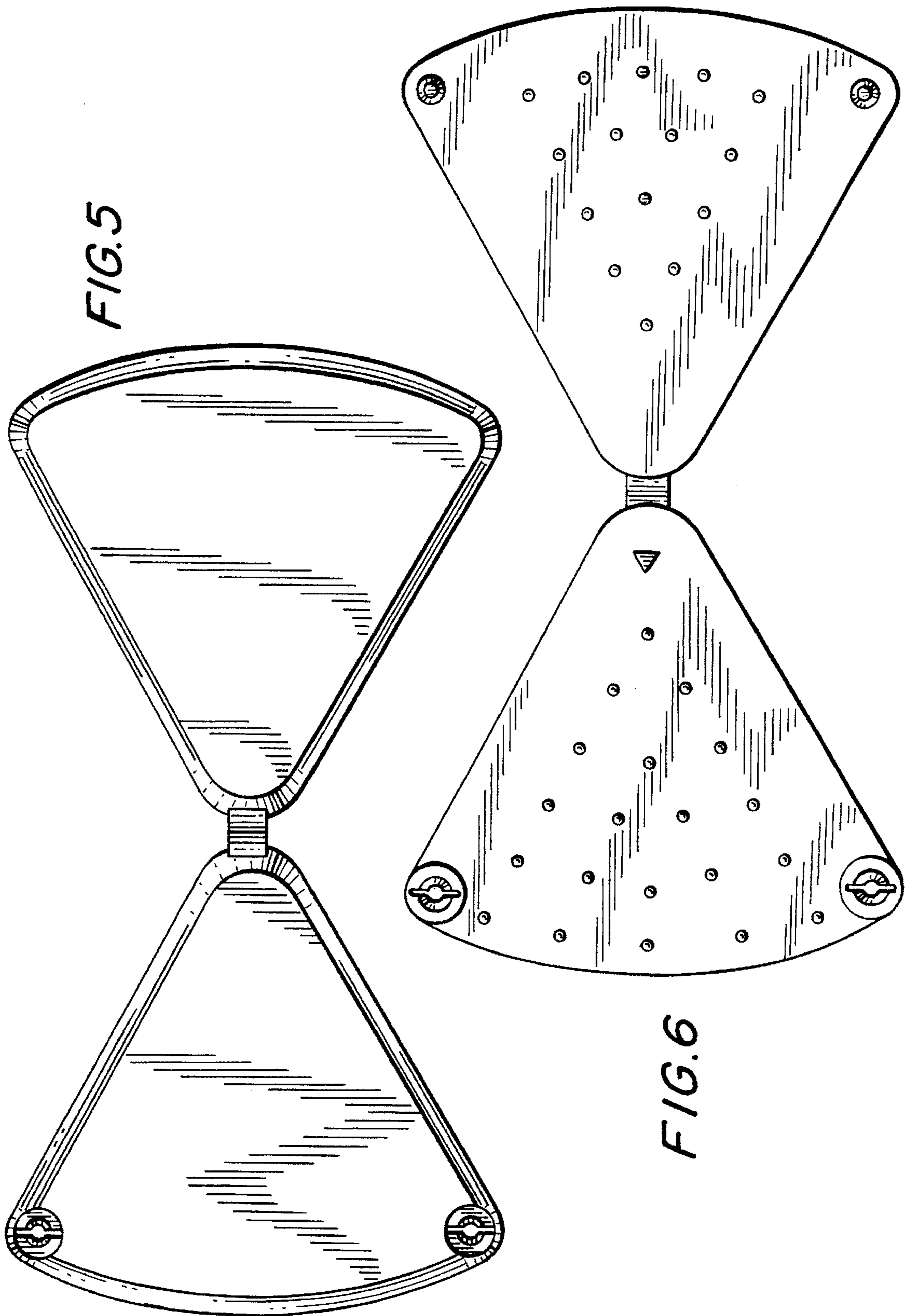
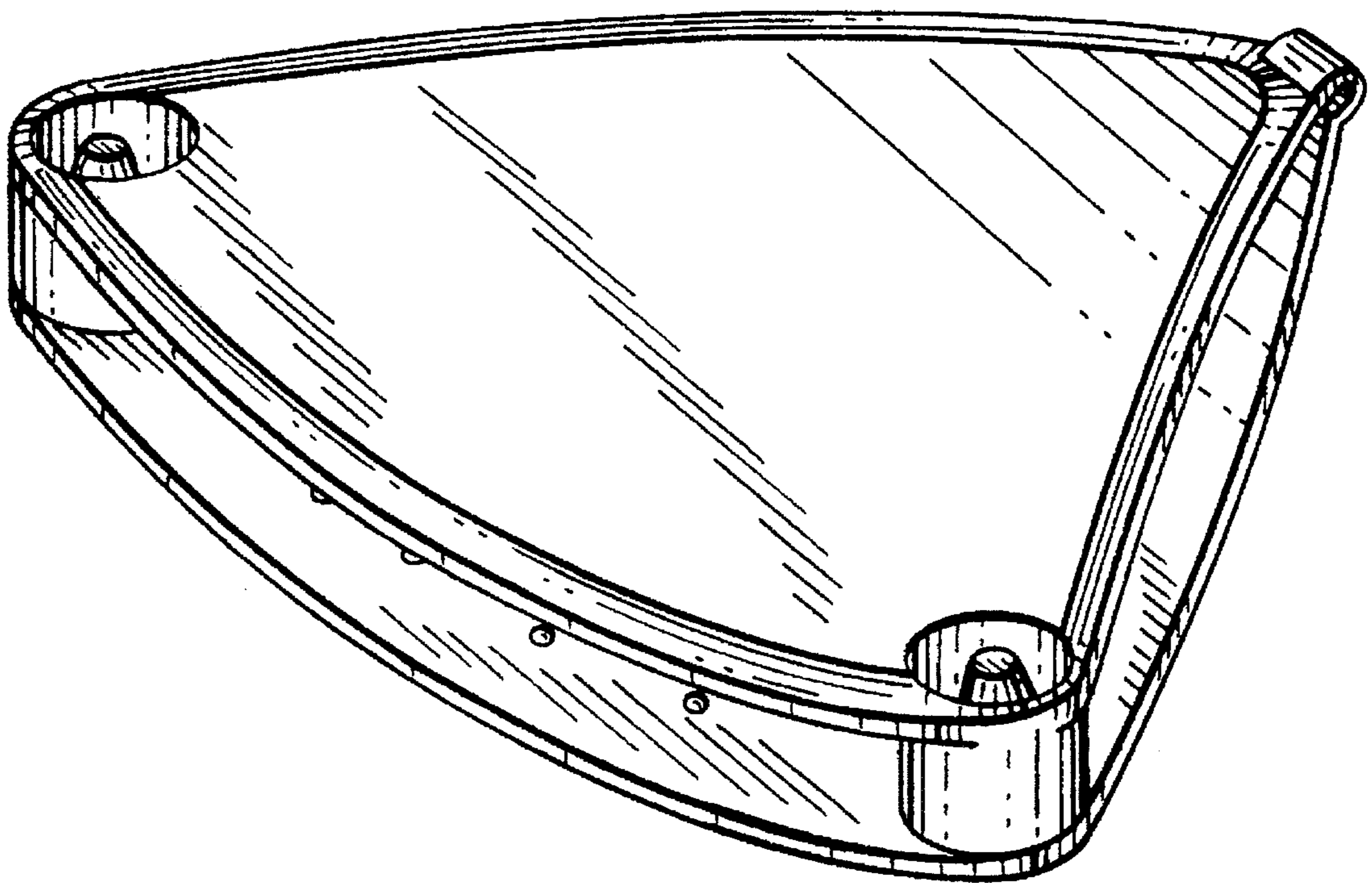


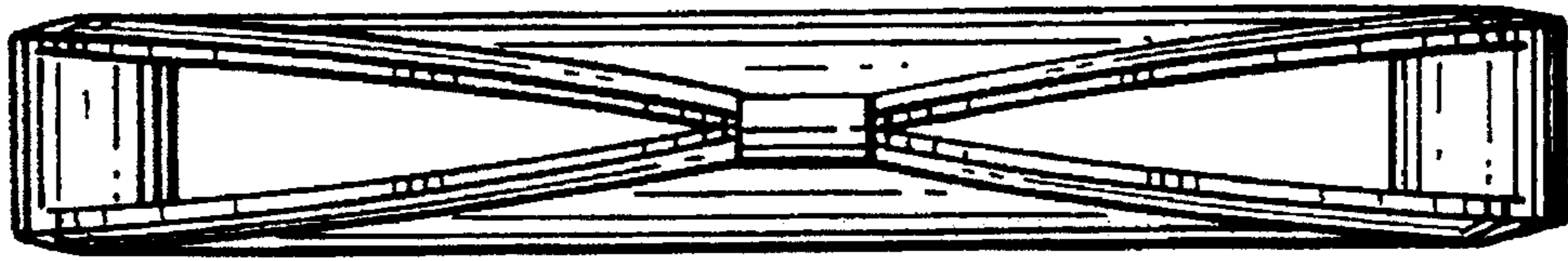
FIG. 5

FIG. 6

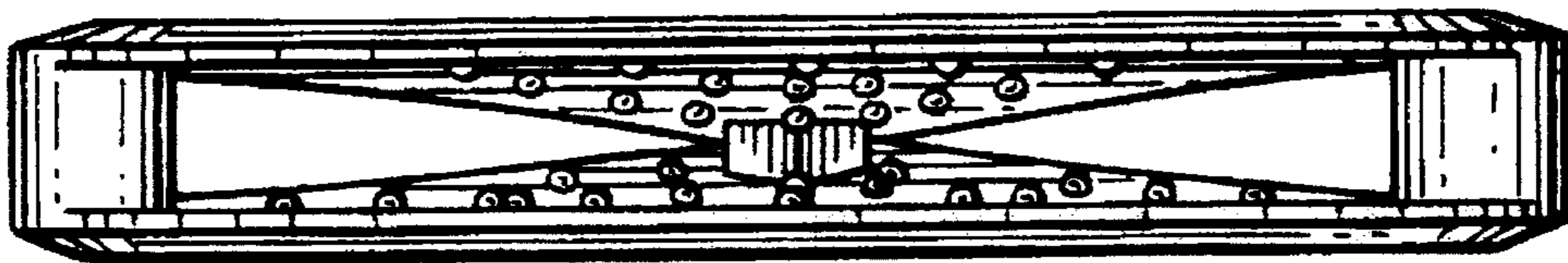
*FIG. 7*



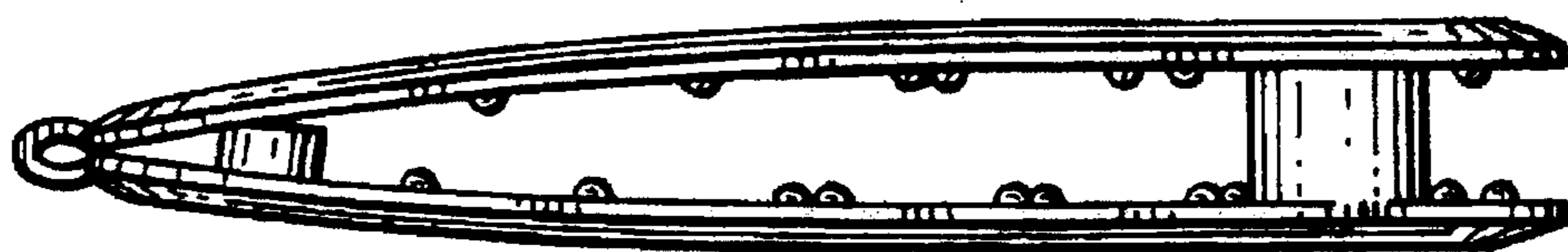
*FIG. 8*

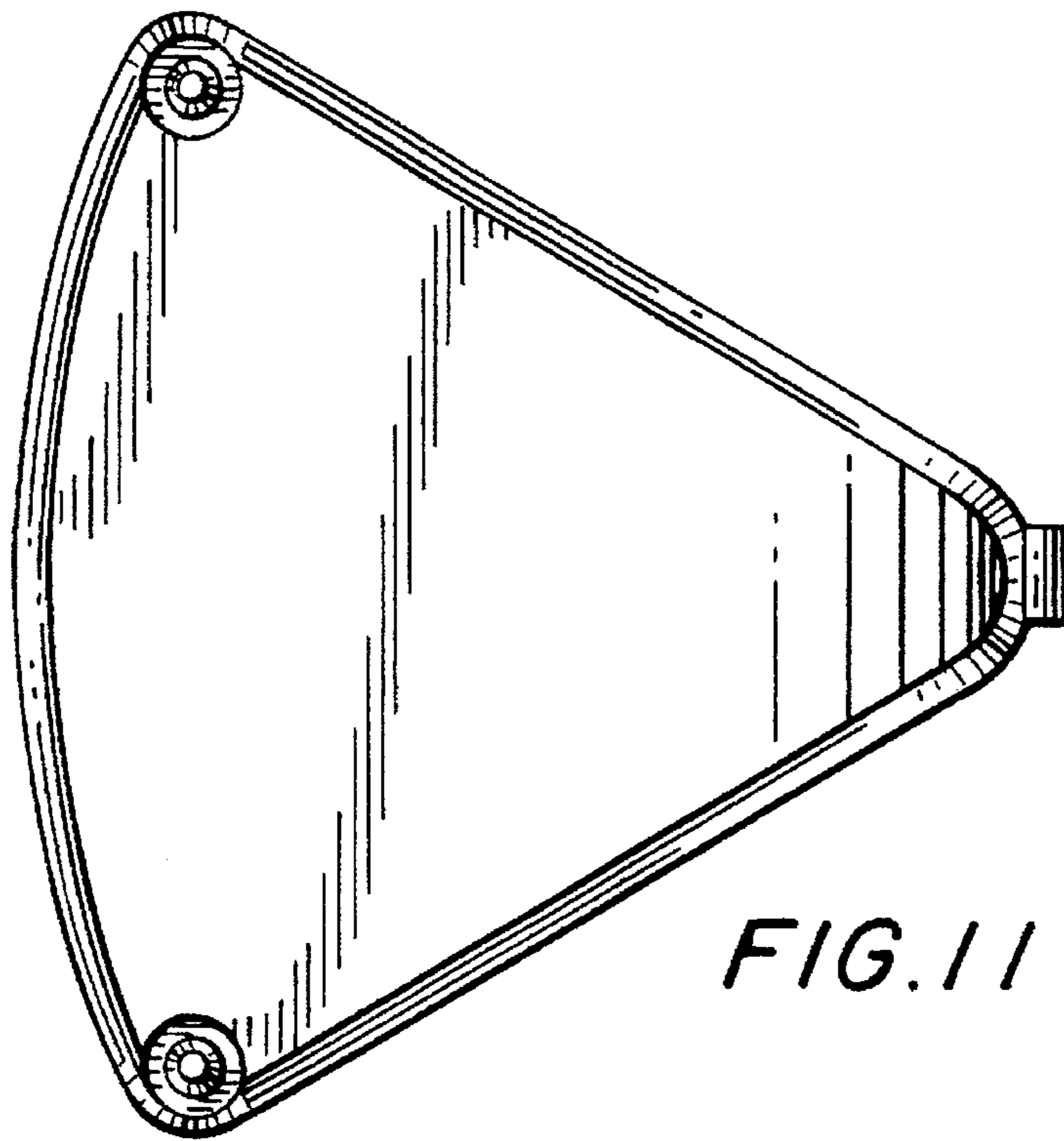


*FIG. 9*

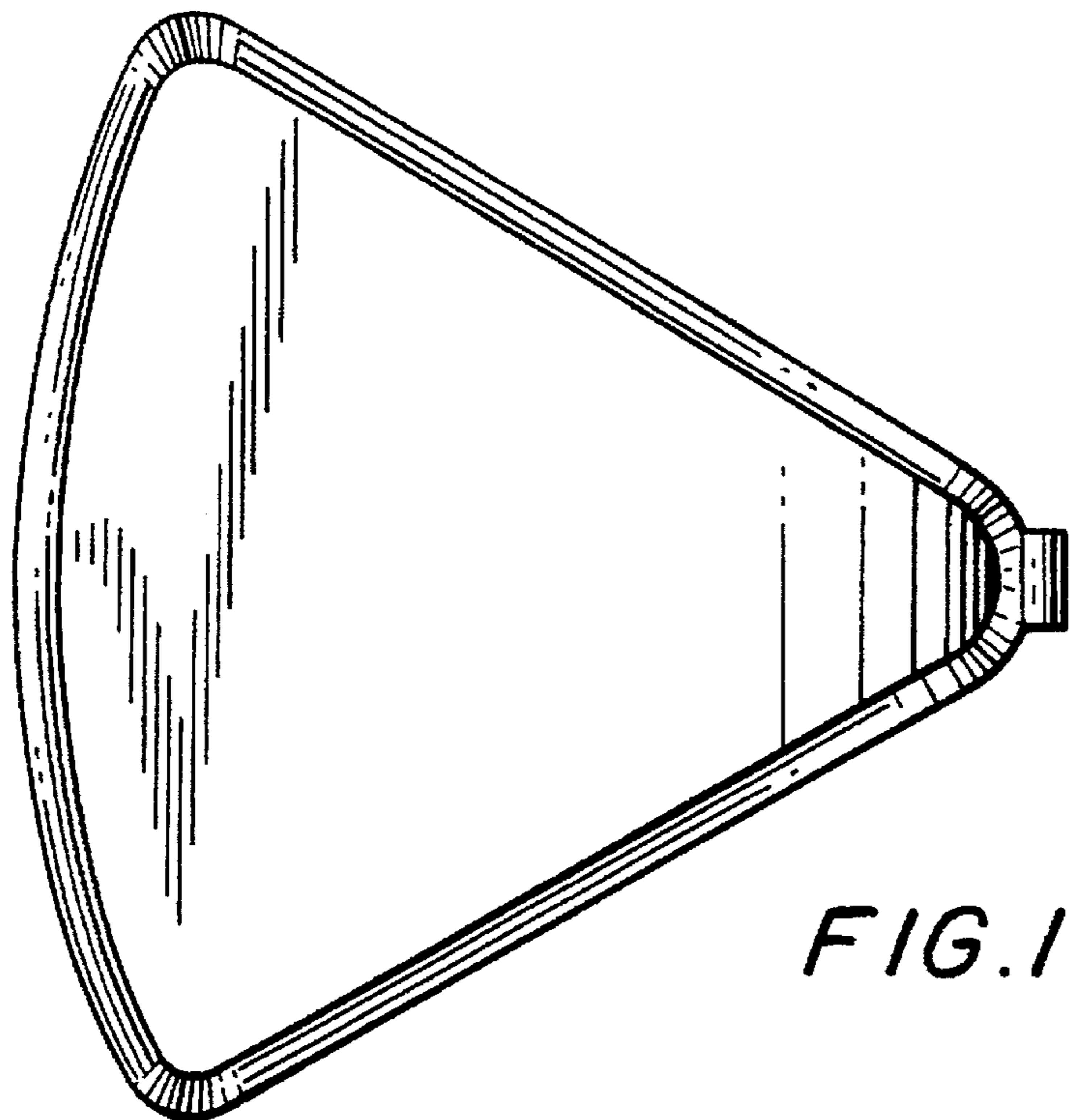


*FIG. 10*





*FIG. 11*



*FIG. 12*