



US00D381890S

# United States Patent [19] Levy

[11] Patent Number: **Des. 381,890**

[45] Date of Patent: **\*\*Aug. 5, 1997**

[54] **BLIND TRACK**

D. 310,775 9/1990 Ruonala ..... D8/377  
3,927,437 12/1975 Ford ..... 160/345

[76] Inventor: **Israel Levy**, 545 Steeles Ave., West,  
Unit 64, North York, Ontario, Canada,  
M2M 3Y1

*Primary Examiner*—Holly Baynham

[\*\*] Term: **14 Years**

[57] **CLAIM**

The ornamental design for a blind track, as shown and described.

[21] Appl. No.: **41,543**

[22] Filed: **Jul. 17, 1995**

### DESCRIPTION

[51] LOC (6) Cl. .... **08-08**

[52] U.S. Cl. .... **D8/377**

[58] Field of Search ..... D8/376-377; D25/120;  
160/330, 341, 345

FIG. 1 is a perspective view showing the front and top of a track in accordance with the present invention;

FIG. 2 is a perspective view showing the back and bottom of the track of FIG. 1; and,

FIG. 3 is an end view of the track of FIG. 1.

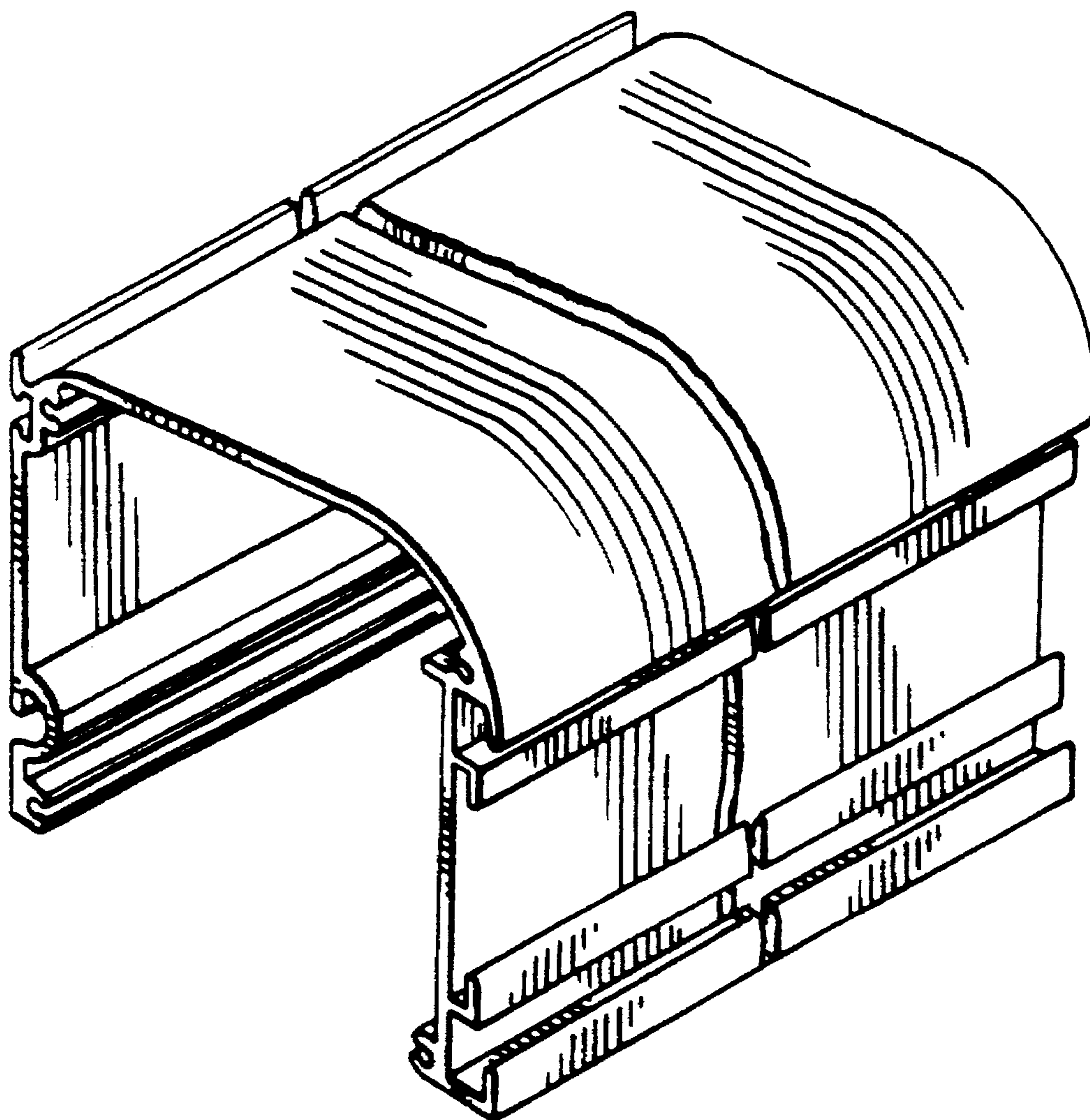
The claimed design is shown slightly broken away in FIGS. 1 and 3 to indicate indeterminate length.

[56] **References Cited**

#### U.S. PATENT DOCUMENTS

D. 202,779 11/1965 Rosenbaum ..... D8/377

**1 Claim, 1 Drawing Sheet**



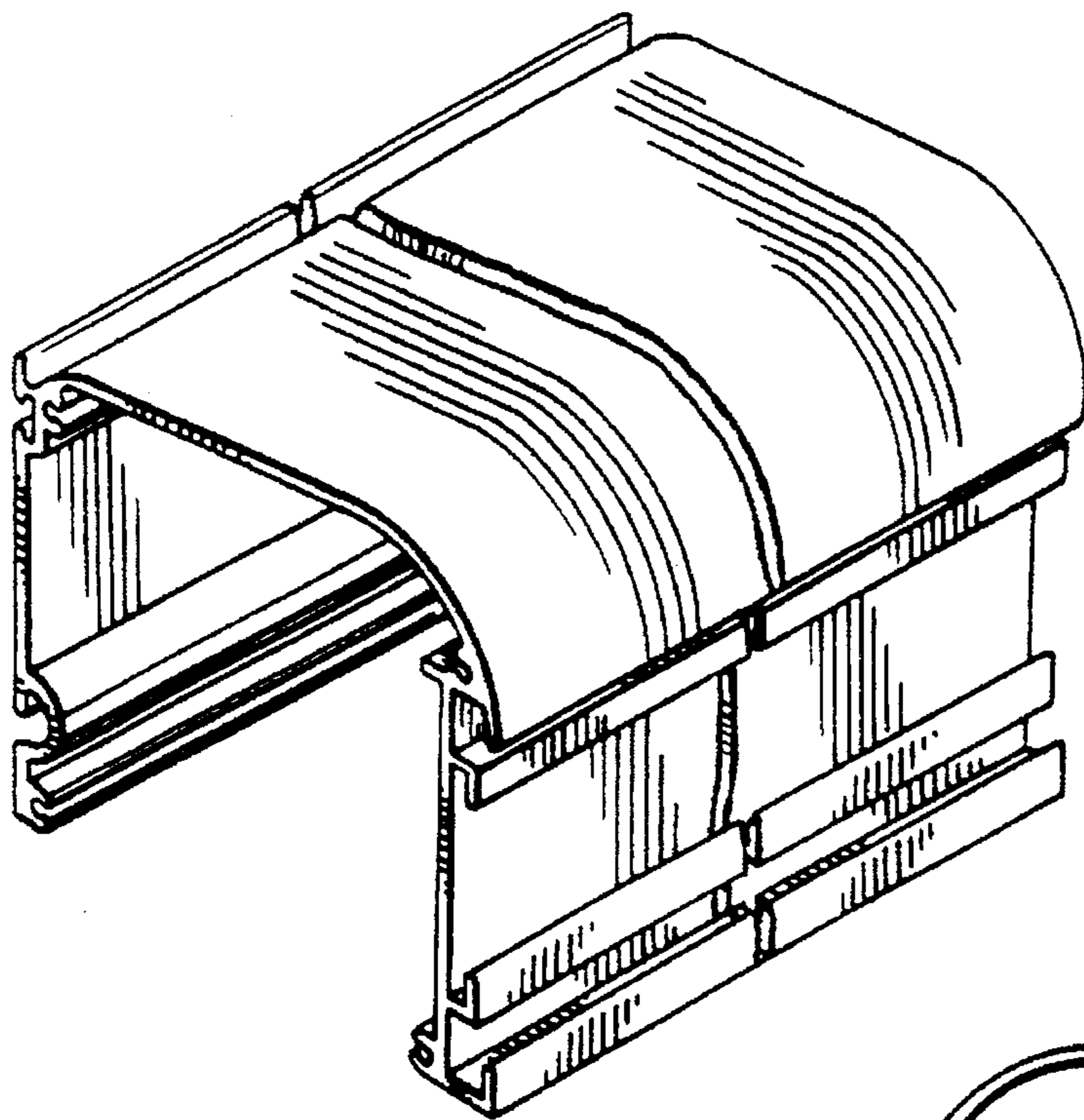


FIG. 1

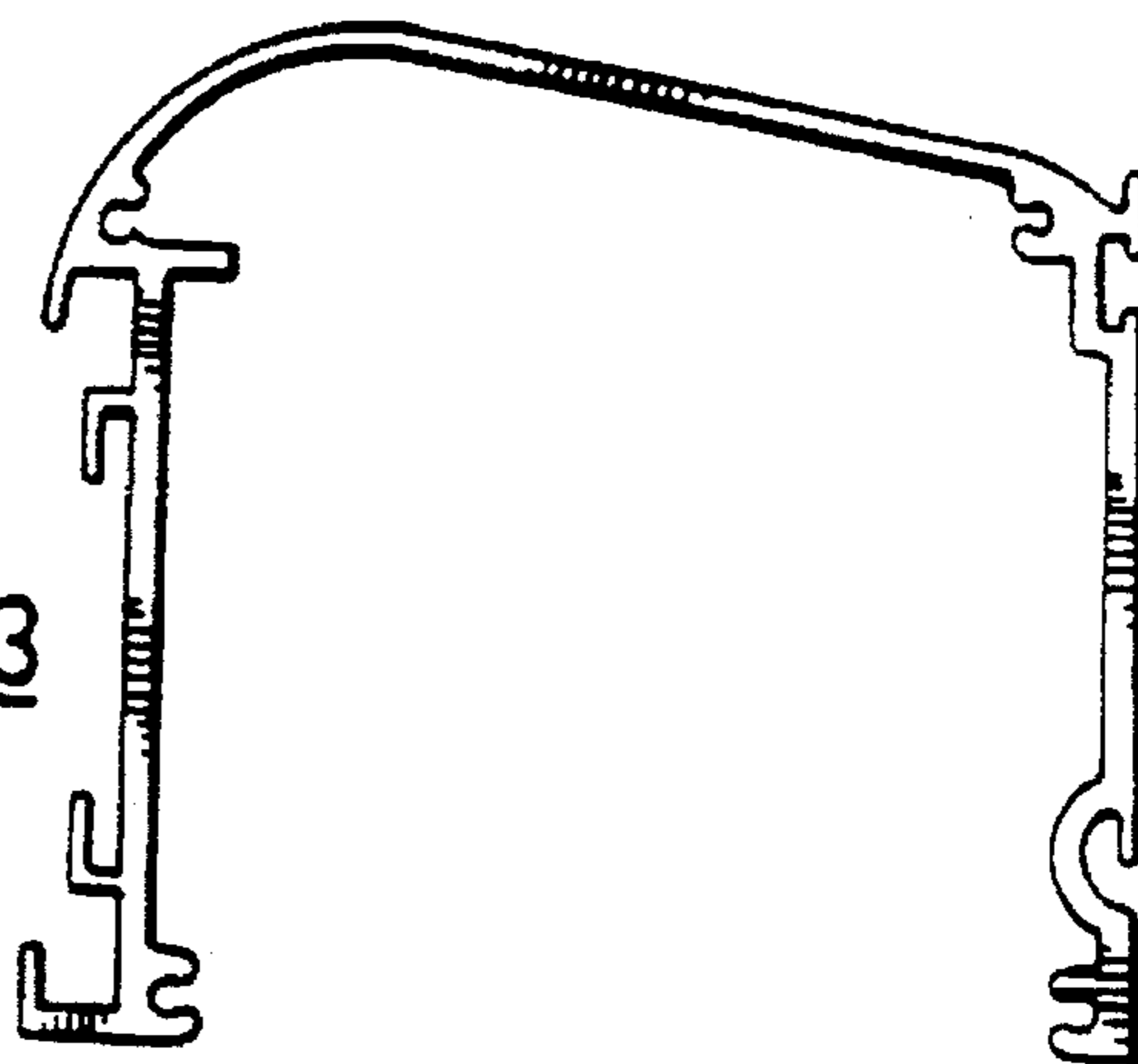


FIG. 3

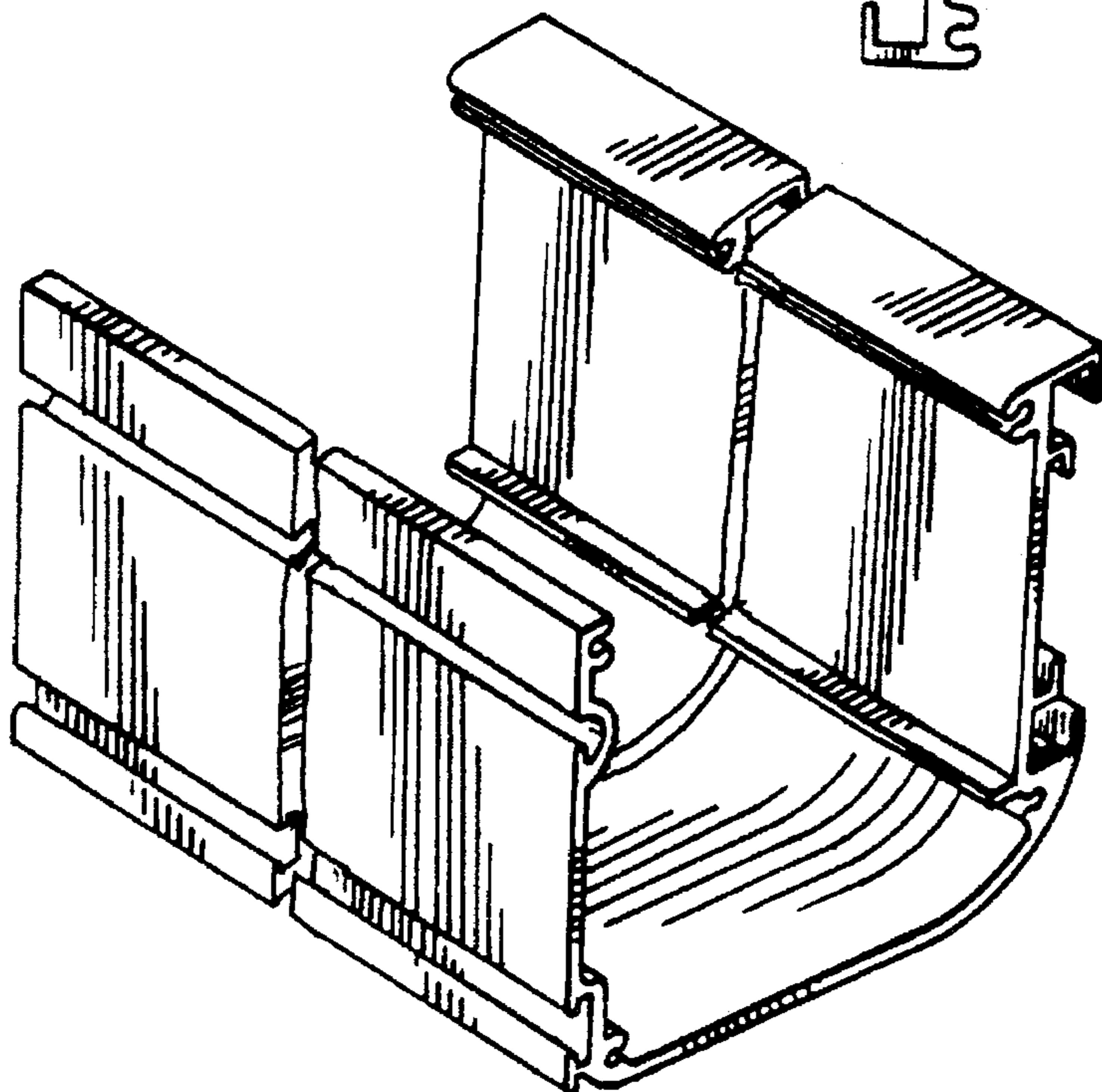


FIG. 2